



US00D606251S

(12) **United States Design Patent**
Leung

(10) **Patent No.:** **US D606,251 S**
(45) **Date of Patent:** **** Dec. 15, 2009**

(54) **STYLER**

2009/0159093 A1* 6/2009 Yu 132/229

(75) Inventor: **Anthony Kit Lun Leung**, North Point
(HK)

* cited by examiner

Primary Examiner—Jennifer Rivard

(73) Assignee: **Conair Corporation**, Stamford, CT
(US)

(74) *Attorney, Agent, or Firm*—Lawrence Cruz

(**) Term: **14 Years**

(57) **CLAIM**

The ornamental design for a styler, as shown and described.

(21) Appl. No.: **29/340,687**

DESCRIPTION

(22) Filed: **Jul. 23, 2009**

(51) **LOC (9) Cl.** **28-03**

(52) **U.S. Cl.** **D28/35**

(58) **Field of Classification Search** D28/35–38;
132/222–229, 232, 234, 236, 245; 219/222,
219/225–226, 227

FIG. 1 is a perspective view of a styler showing a new design;

FIG. 2 is a perspective view thereof showing the left side thereof;

FIG. 3 is a front view thereof in a closed position;

FIG. 4 is a rear view thereof;

FIG. 5 is a right side view thereof;

FIG. 6 is a left side view thereof;

FIG. 7 is a bottom view thereof;

FIG. 8 is a top view thereof; and,

FIG. 9 is a right side view thereof in an open position.

The broken lines are for illustrative purposes only and form no part of the claimed design.

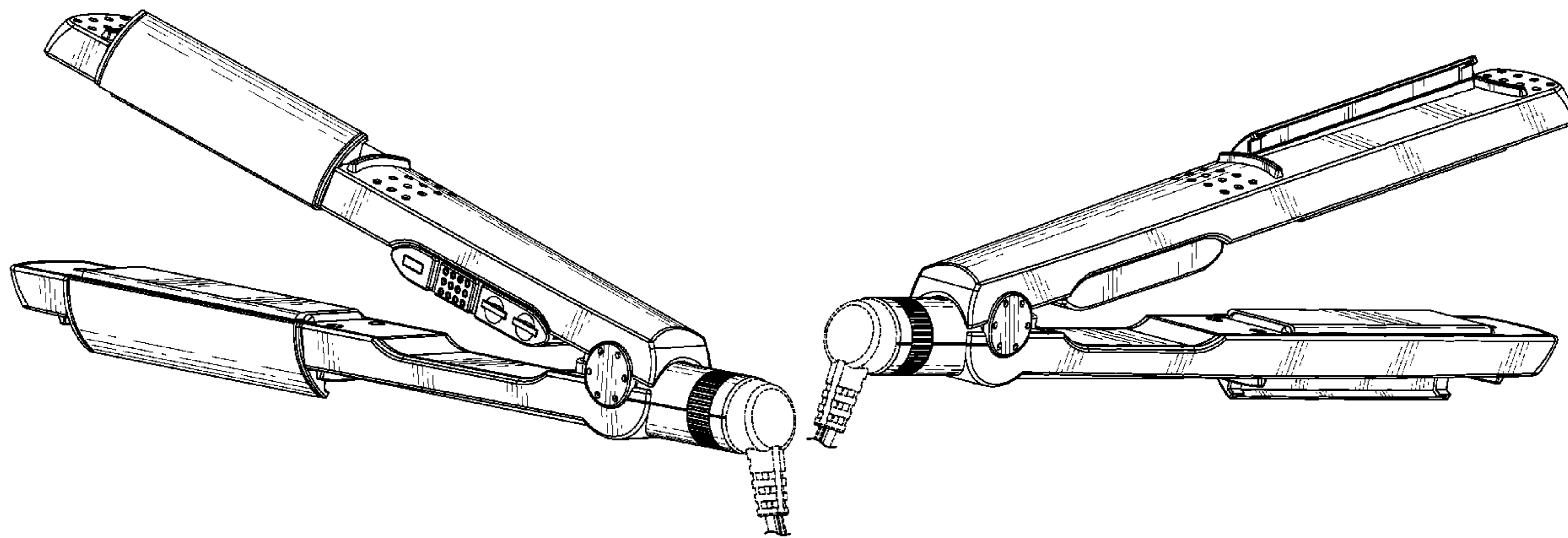
See application file for complete search history.

(56) **References Cited**

U.S. PATENT DOCUMENTS

D513,090 S *	12/2005	Seizer	D28/35
D536,483 S *	2/2007	Lun et al.	D28/35
D537,983 S *	3/2007	Shin	D28/35
D570,542 S *	6/2008	Leung	D28/35
D596,790 S *	7/2009	Rizzuto	D28/35
D596,794 S *	7/2009	Keong	D28/35

1 Claim, 6 Drawing Sheets



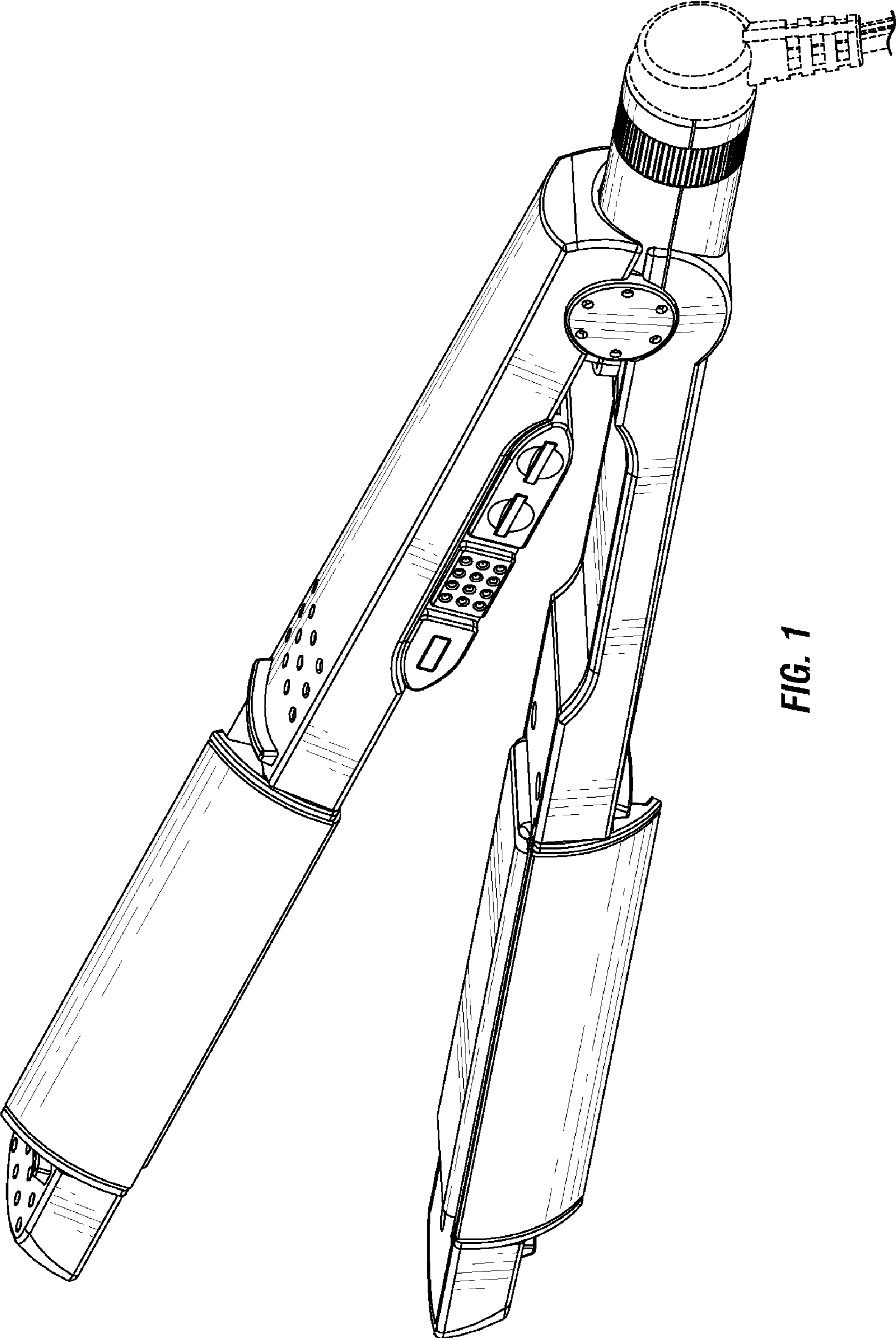


FIG. 1

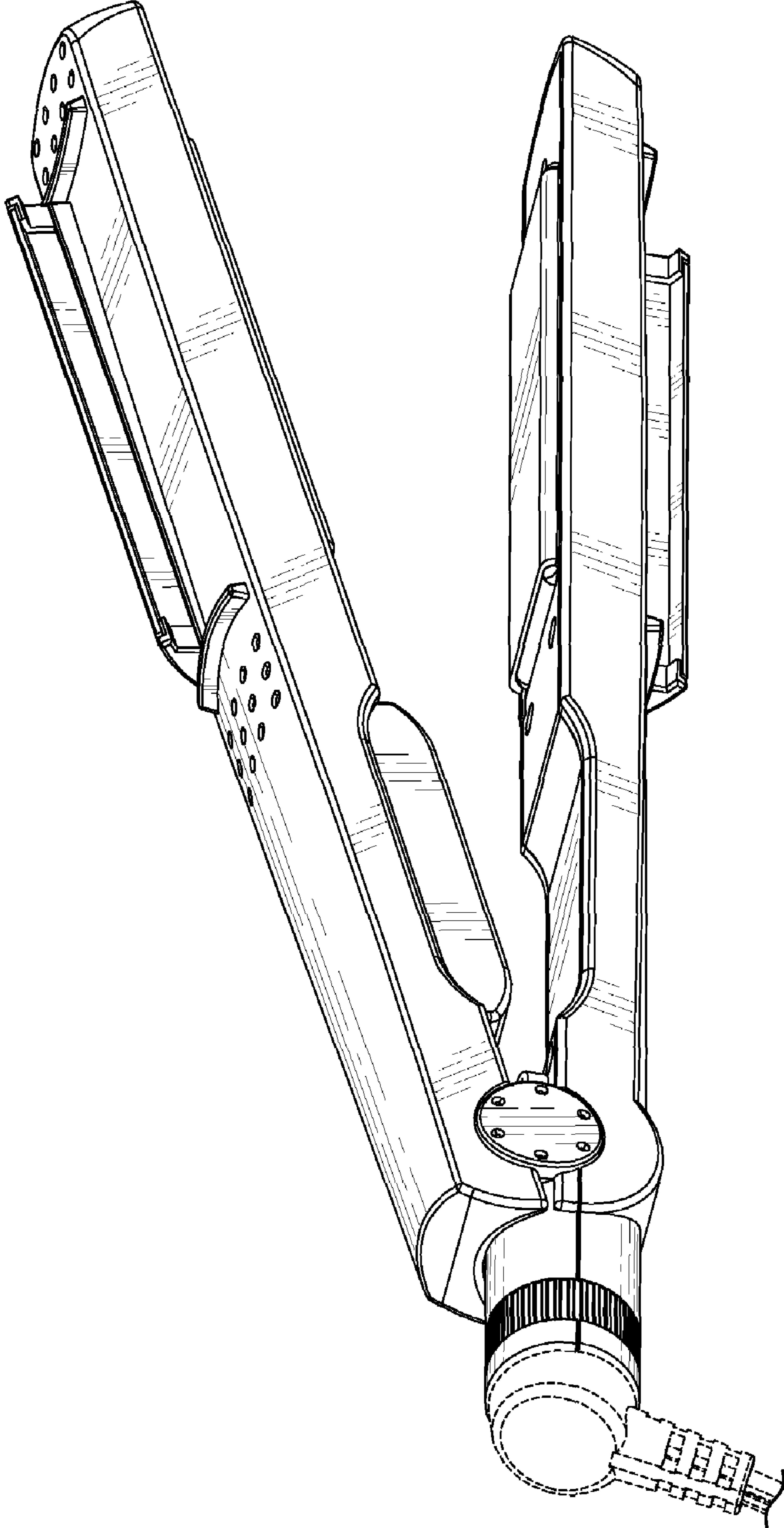


FIG. 2

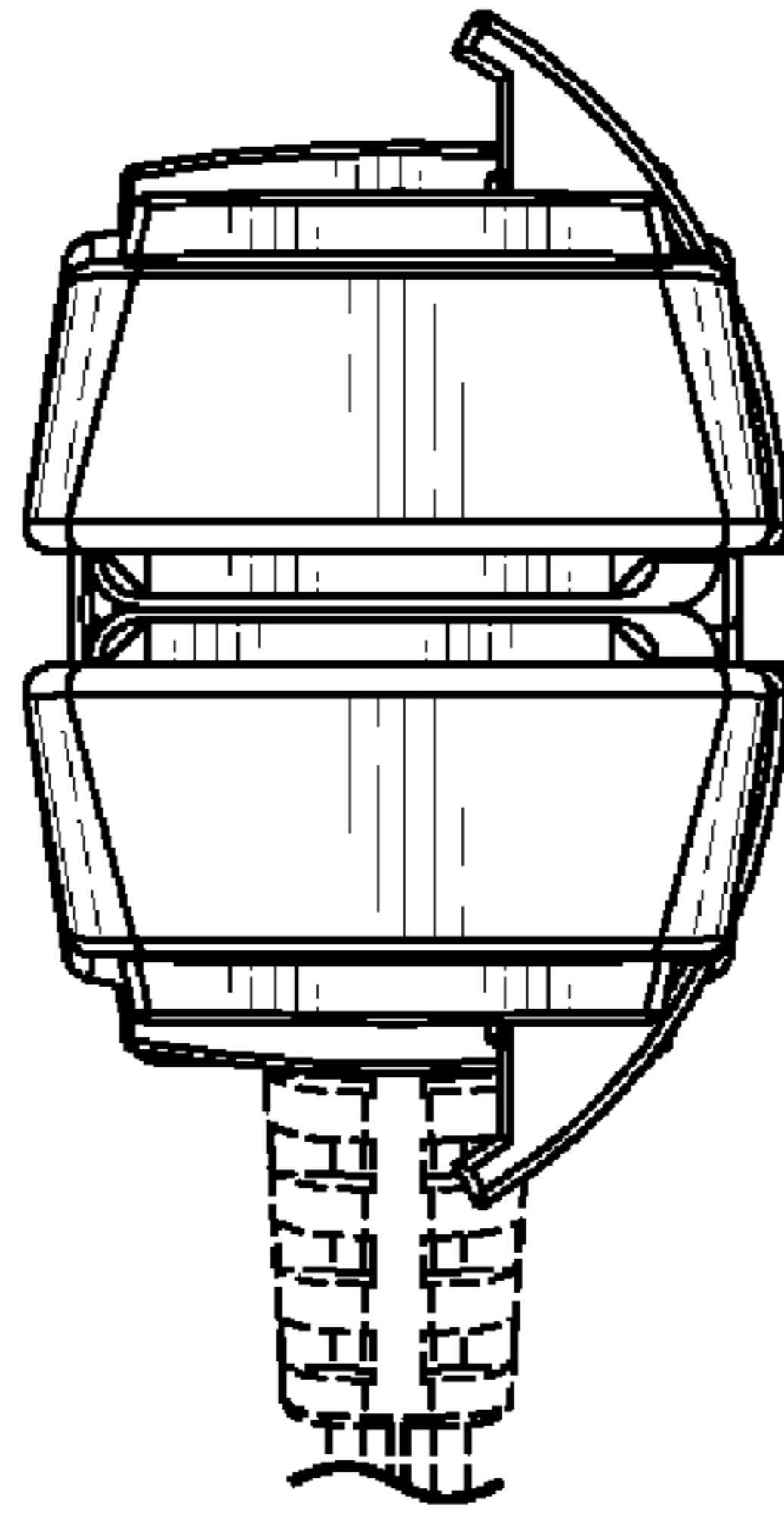


FIG. 3

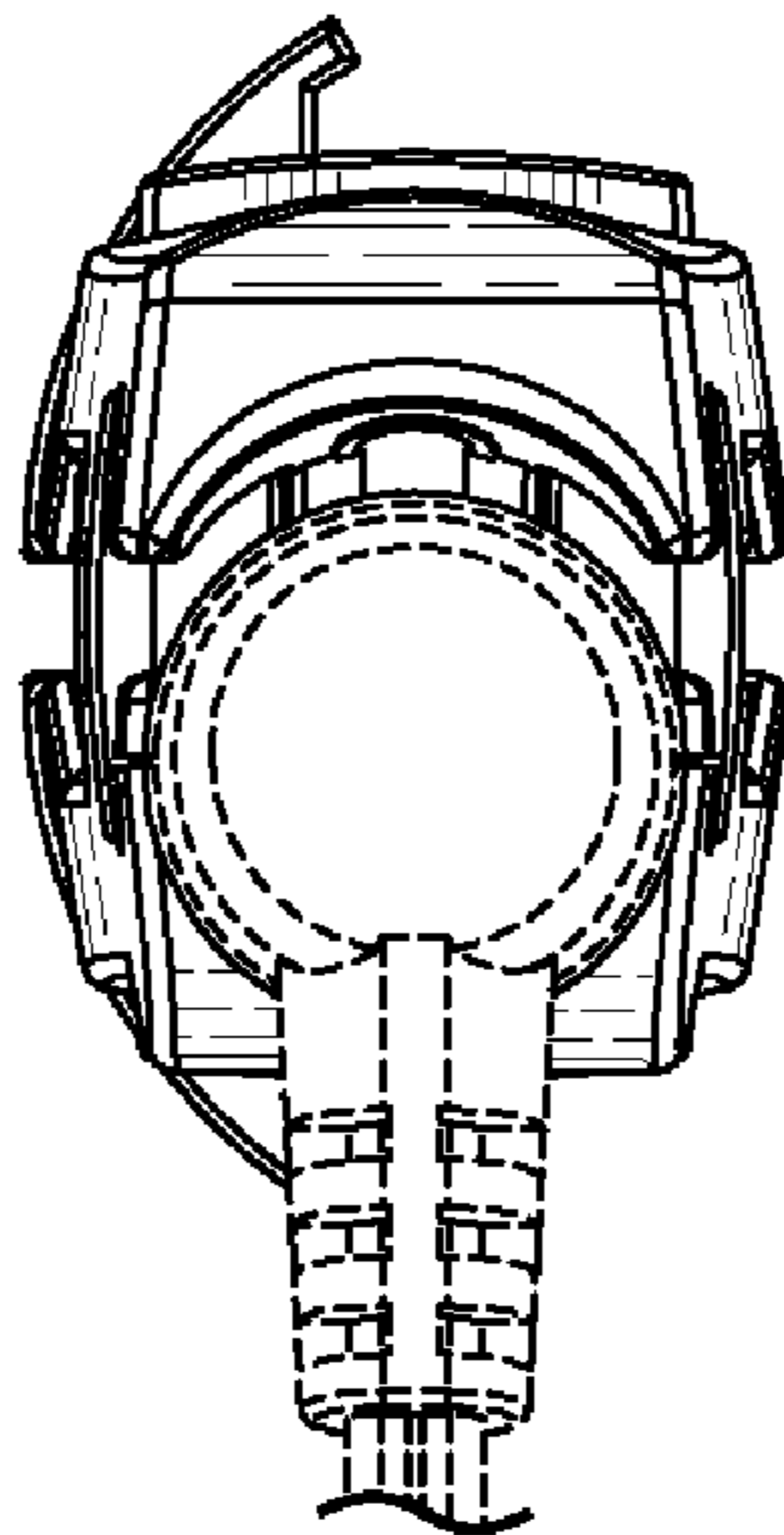


FIG. 4

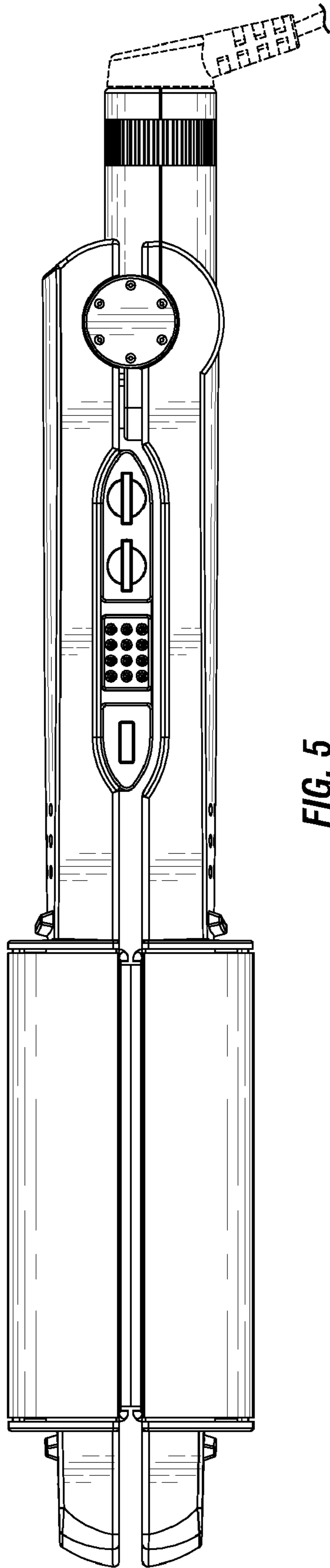


FIG. 5

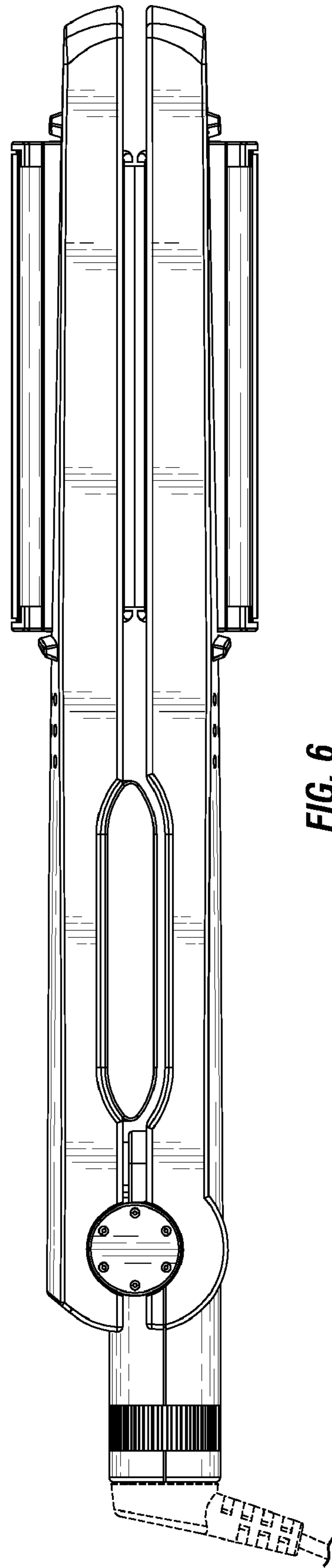


FIG. 6

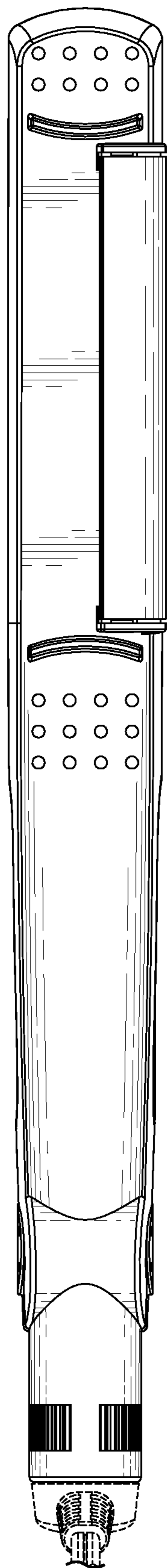


FIG. 7

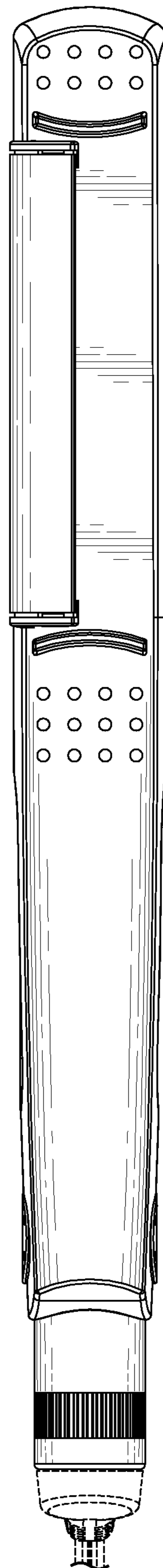


FIG. 8

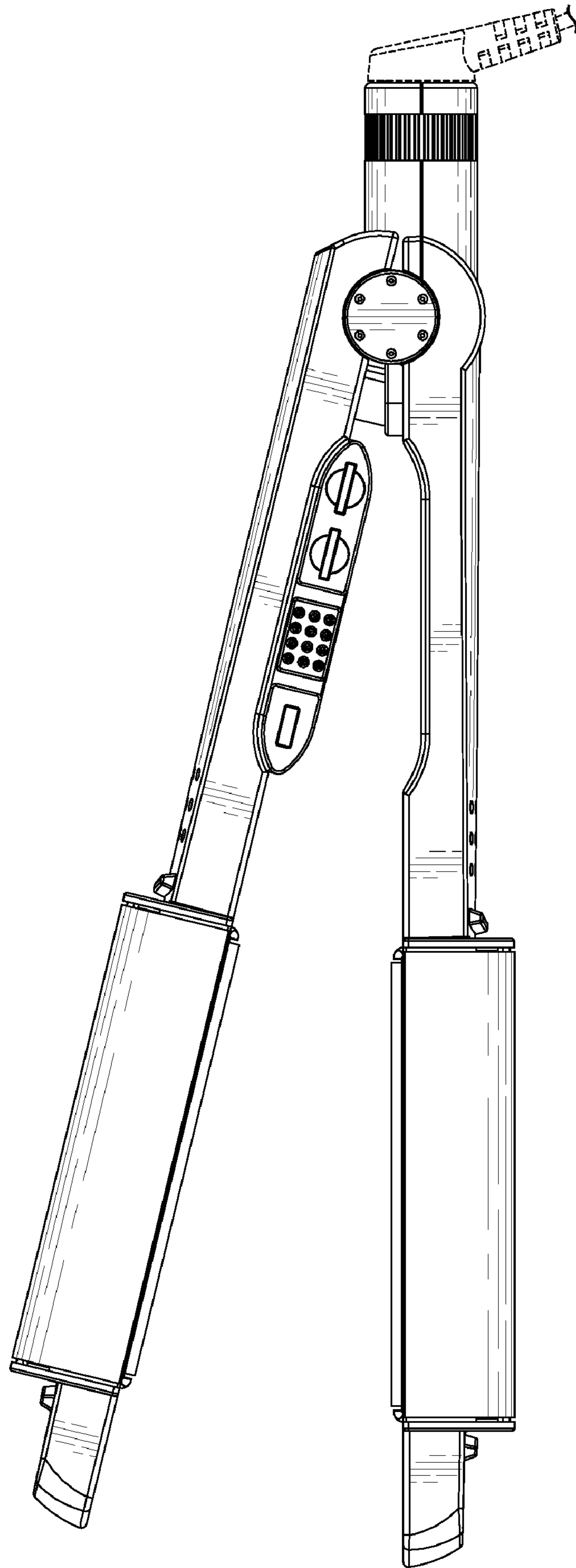


FIG. 9