



US00D606249S

(12) **United States Design Patent**
Leung

(10) **Patent No.:** **US D606,249 S**

(45) **Date of Patent:** **** Dec. 15, 2009**

(54) **HAIR DRYER**

D581,590 S * 11/2008 Leung D28/13
D600,404 S * 9/2009 Leung D28/13
D600,406 S * 9/2009 Leung D28/13

(75) Inventor: **Anthony Kit Lun Leung**, North Point
(HK)

* cited by examiner

(73) Assignee: **Conair Corporation**, Stamford, CT
(US)

Primary Examiner—Janice E Seeger

Assistant Examiner—Zenia I Bennett

(**) Term: **14 Years**

(74) *Attorney, Agent, or Firm*—Lawrence Cruz

(21) Appl. No.: **29/340,683**

(57) **CLAIM**

(22) Filed: **Jul. 23, 2009**

The ornamental design for a hair dryer, as shown and described.

(51) **LOC (9) Cl.** **28-03**

(52) **U.S. Cl.** **D28/13**

(58) **Field of Classification Search** D28/12–19;
34/96–101; 392/380–385; 219/222

See application file for complete search history.

DESCRIPTION

FIG. 1 is a perspective view of a hair dryer showing a new design;

FIG. 2 is front view thereof;

FIG. 3 is a rear view thereof;

FIG. 4 is a right side view thereof;

FIG. 5 is a left side view thereof;

FIG. 6 is a top view thereof; and,

FIG. 7 is a bottom view thereof.

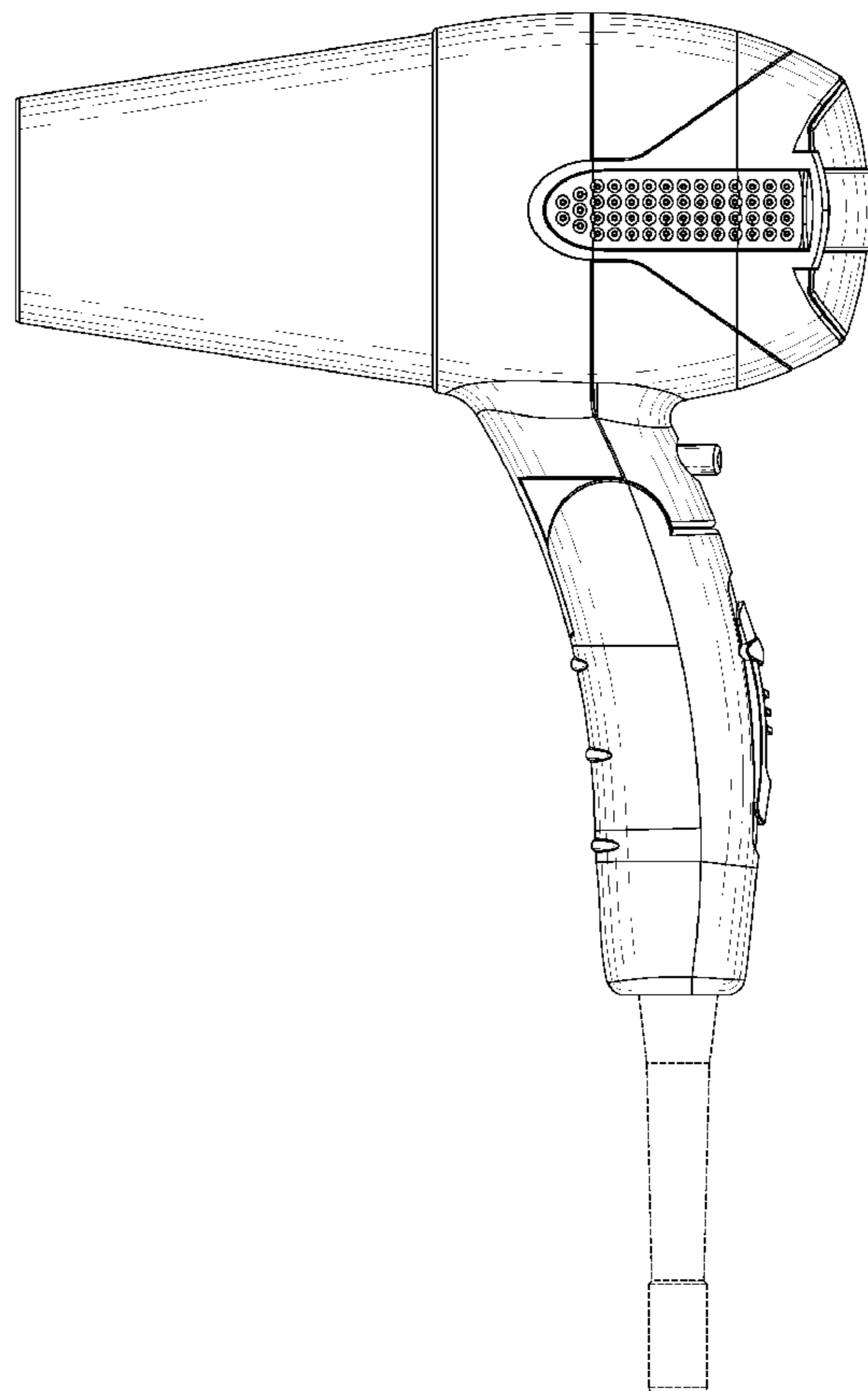
The broken lines are for illustrative purposes only and form no part of the claimed design.

(56) **References Cited**

U.S. PATENT DOCUMENTS

D398,418 S *	9/1998	Garrett et al.	D28/13
D398,717 S *	9/1998	Kling et al.	D28/13
D474,858 S *	5/2003	Harris et al.	D28/13
D544,645 S *	6/2007	Ceva	D28/13
D561,392 S *	2/2008	Ceva	D28/13
D577,861 S *	9/2008	Leung	D28/13
D579,151 S *	10/2008	Leung	D28/13
D580,594 S *	11/2008	Leung	D28/13

1 Claim, 6 Drawing Sheets



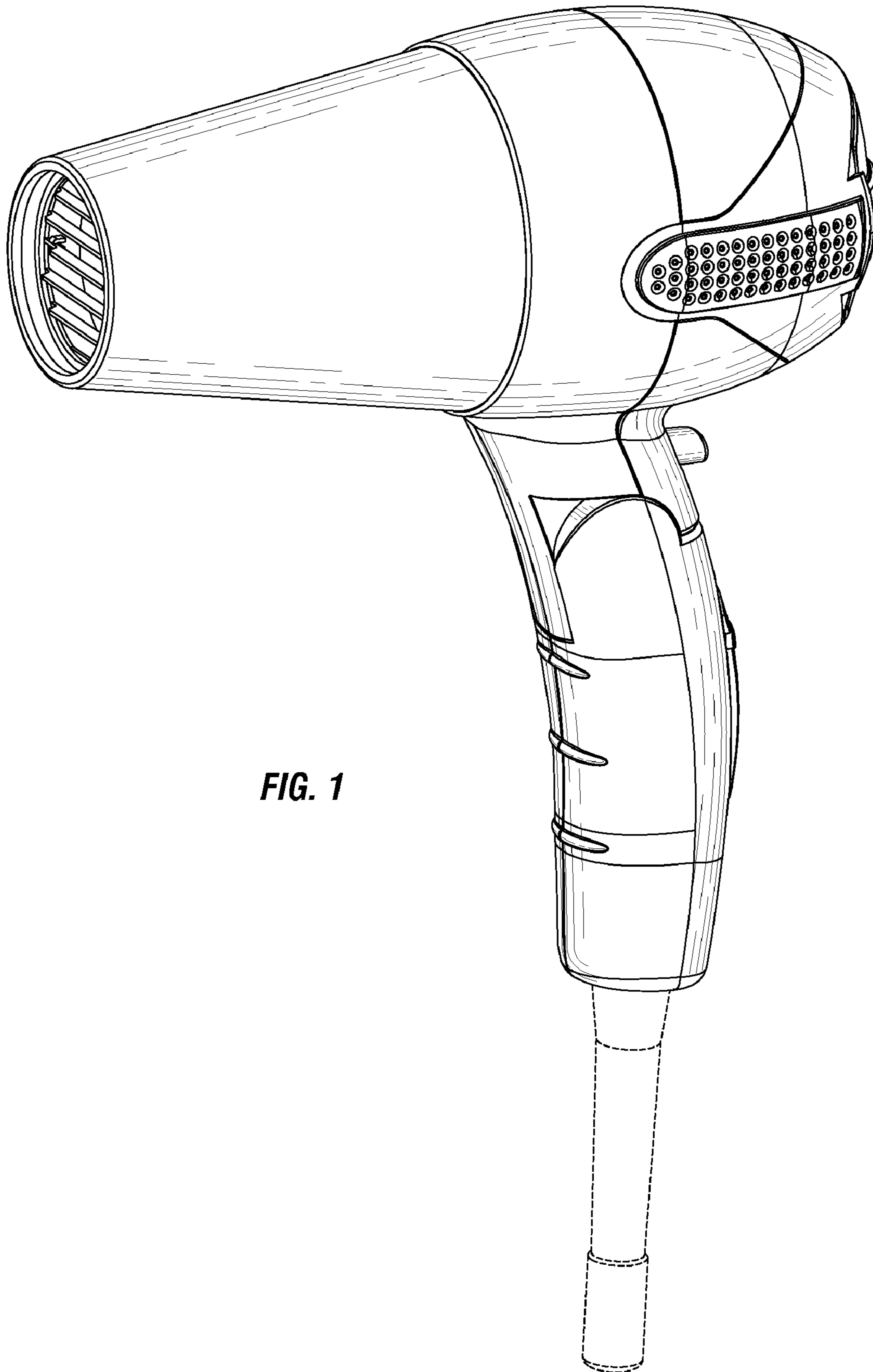


FIG. 1

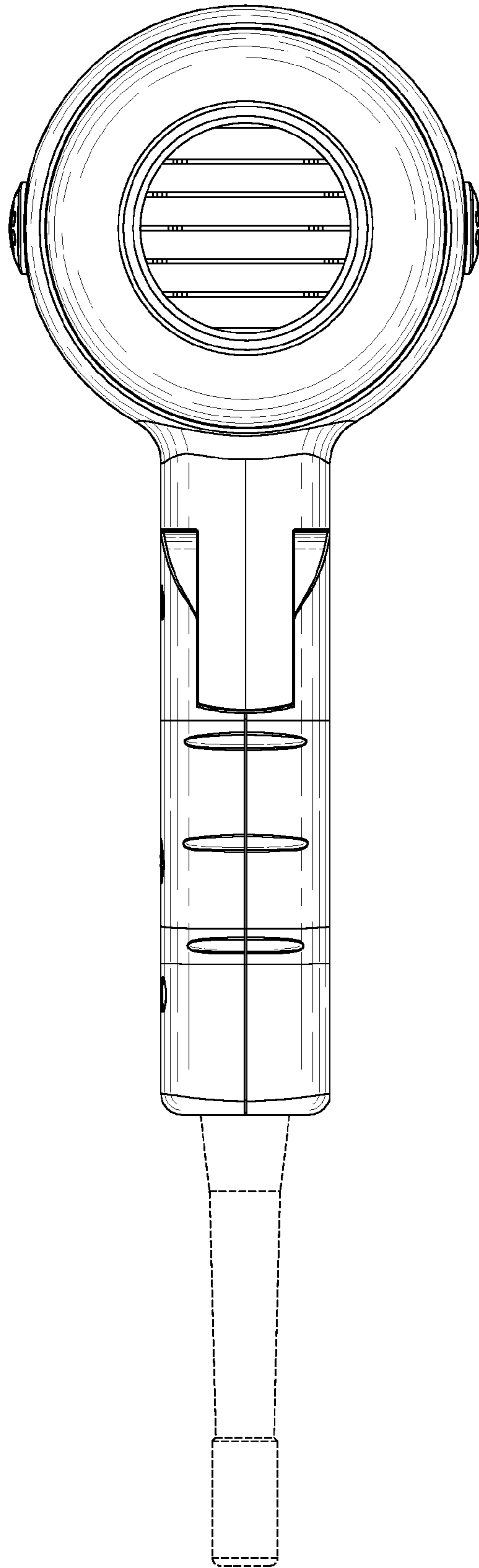


FIG. 2

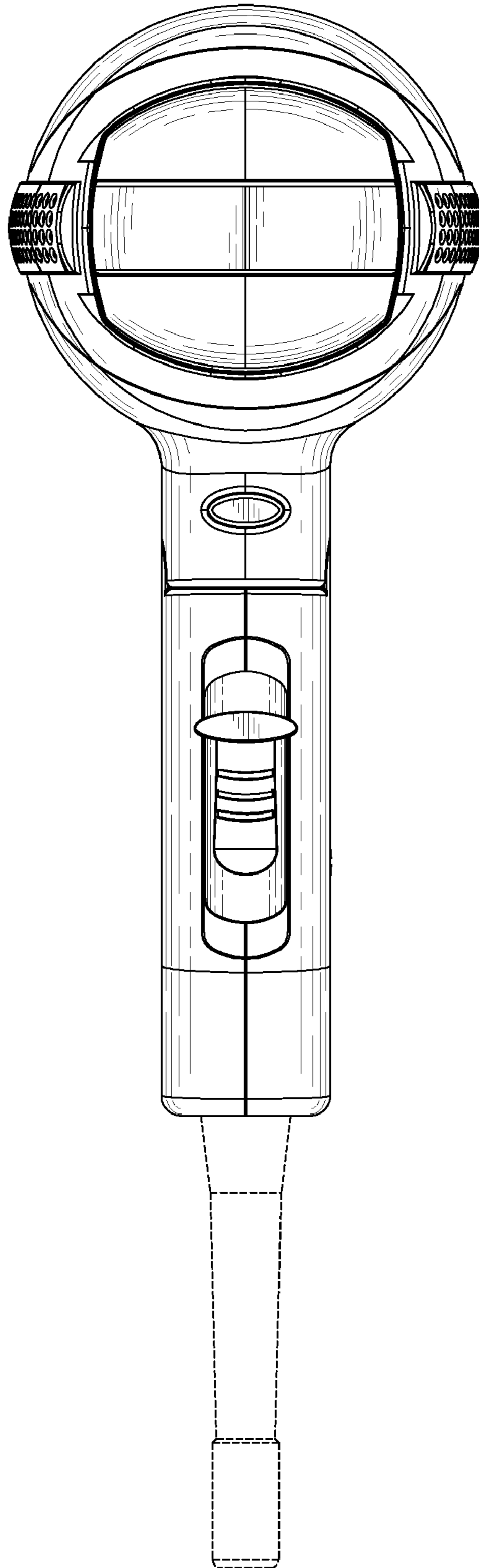


FIG. 3

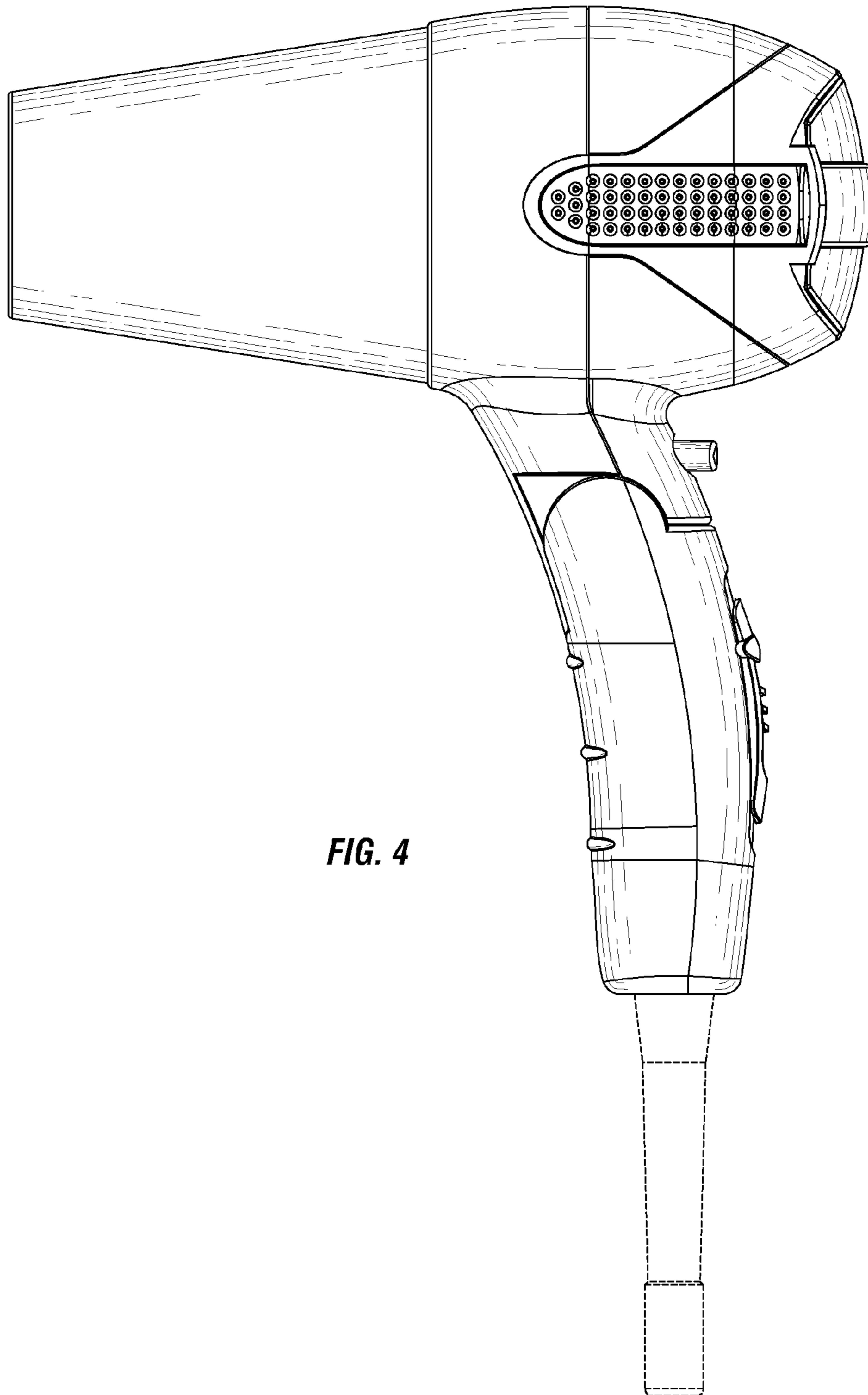


FIG. 4

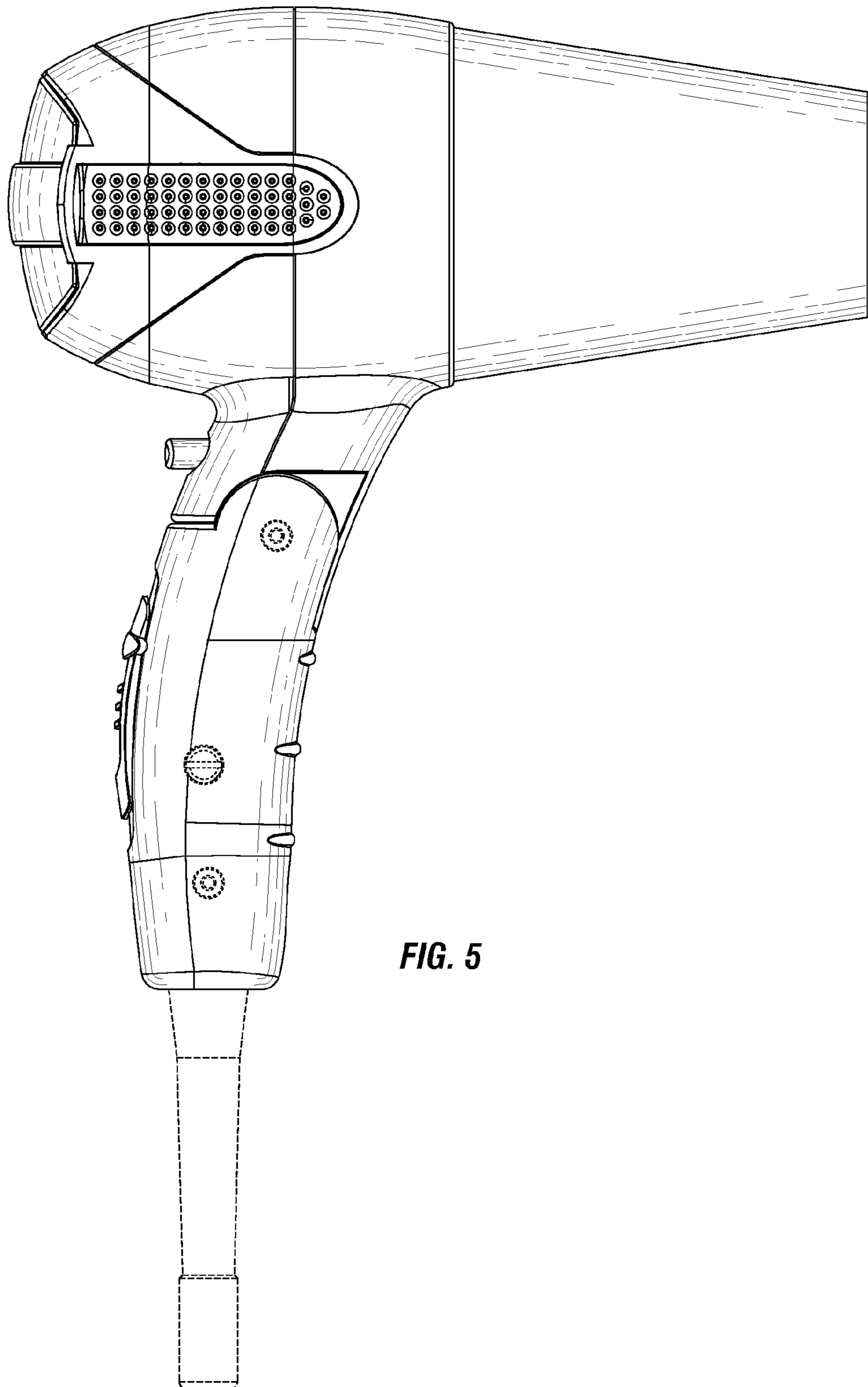


FIG. 5

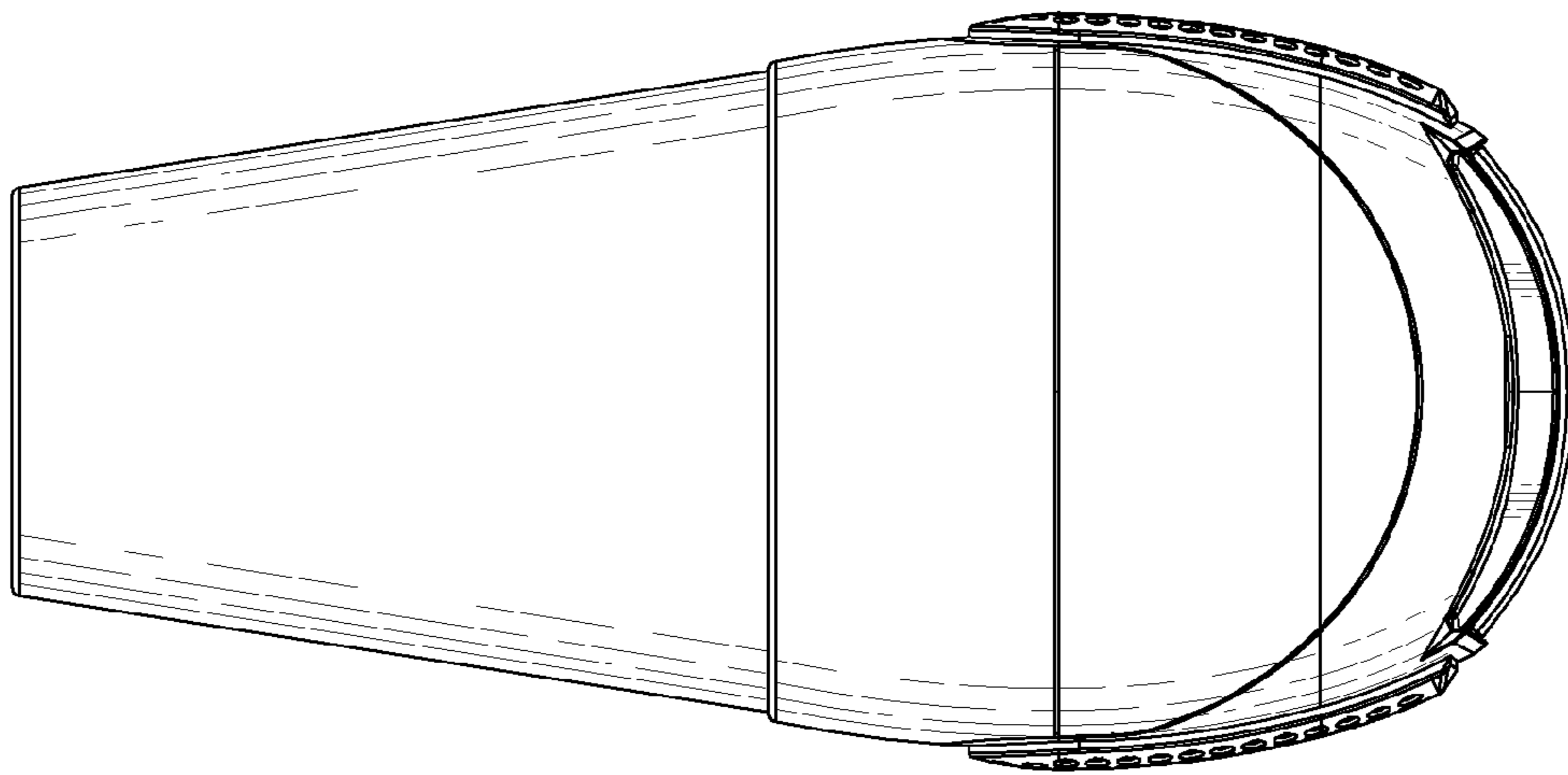


FIG. 6

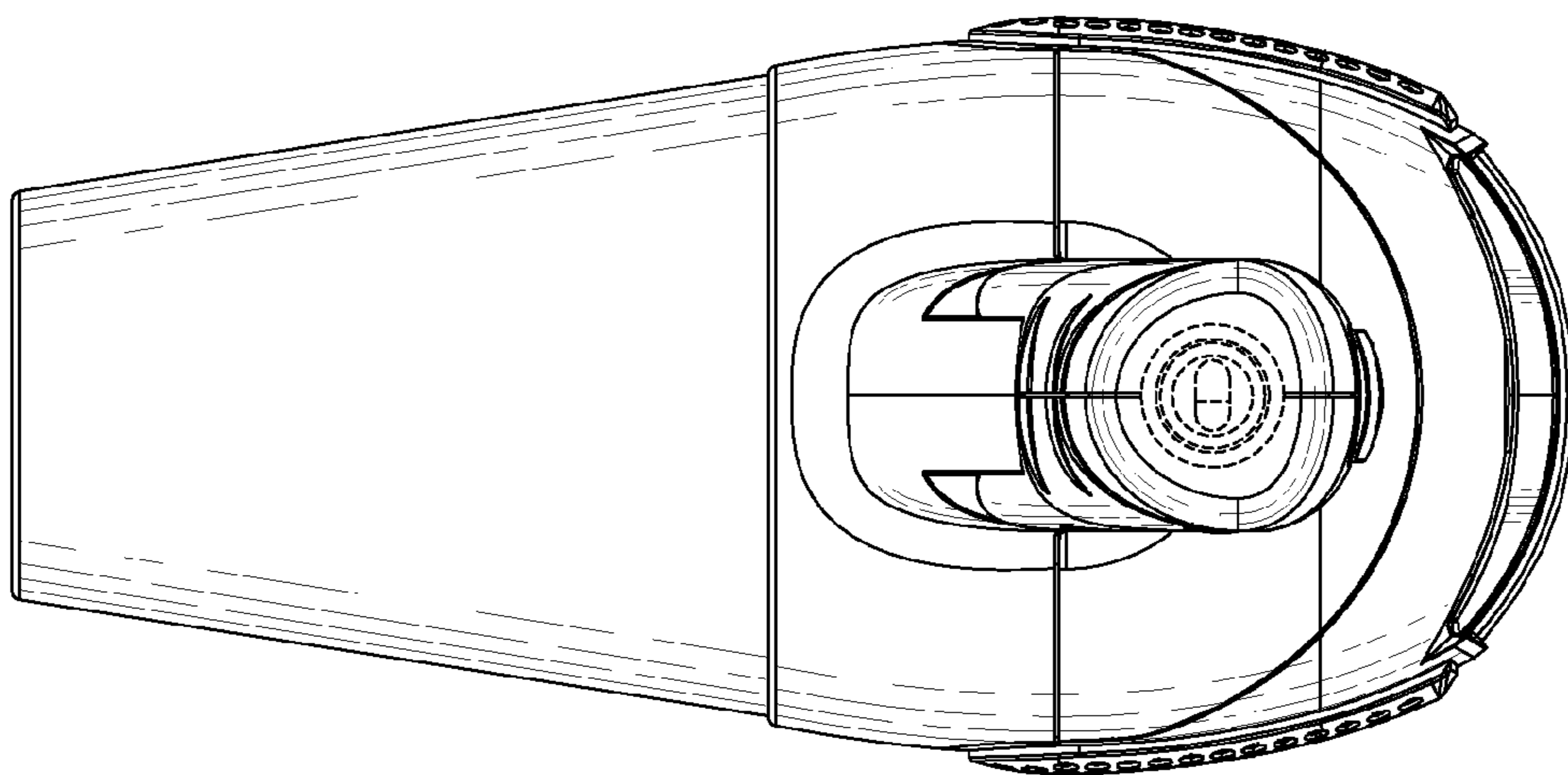


FIG. 7