



US00D606236S

(12) **United States Design Patent**  
**Sabernig**

(10) **Patent No.:** **US D606,236 S**  
(45) **Date of Patent:** **\*\* Dec. 15, 2009**

(54) **LIGHT FIXTURE**

(75) Inventor: **Robert Sabernig**, Munster (AT)

(73) Assignee: **EGLO Leuchten GmbH**, Innsbruck (AT)

(\*\*) Term: **14 Years**

(21) Appl. No.: **29/328,143**

(22) Filed: **Nov. 19, 2008**

**Related U.S. Application Data**

(63) Continuation-in-part of application No. 29/303,074, filed on Jan. 31, 2008, now abandoned.

(51) **LOC (9) Cl.** ..... **23-03**

(52) **U.S. Cl.** ..... **D26/93**

(58) **Field of Classification Search** ..... D26/1, D26/24, 67, 93-94, 104-110; 362/3, 153, 362/186, 217, 255, 257, 277, 317, 351, 353, 362/362, 363, 382, 431, 433, 458, 806  
See application file for complete search history.

(56) **References Cited**

**U.S. PATENT DOCUMENTS**

D90,938 S	10/1933	Beck	
D97,997 S	12/1935	Glatthar et al.	
D162,345 S	3/1951	Roney	
3,227,868 A	1/1966	Morgan	
D214,938 S	8/1969	Pettengill	
D262,660 S	1/1982	Fairbanks et al.	
D319,319 S	8/1991	Von Kluck	
D324,924 S	3/1992	Bengochea	
D337,847 S	7/1993	Meck et al.	
D368,547 S *	4/1996	Chen	..... D26/93
D369,430 S	4/1996	Huang	
D370,071 S	5/1996	Sonneman	
D385,647 S	10/1997	Swanson	
D403,458 S	12/1998	Walz	
D410,297 S	5/1999	Huang	
D433,176 S	10/2000	Barry	

D459,525 S	6/2002	Barry	
D484,271 S *	12/2003	Chandler	..... D26/93
D487,529 S	3/2004	Kowitz	
D509,019 S	8/2005	Castro et al.	
D512,175 S	11/2005	Santachiara	
D525,739 S	7/2006	Wu	
D558,384 S	12/2007	Bickler et al.	
D565,232 S	3/2008	Butler	
D579,602 S *	10/2008	Gotz-Schafer	..... D26/93
D589,646 S *	3/2009	Sabernig	..... D26/93
2005/0270770 A1	12/2005	Warrender et al.	

**OTHER PUBLICATIONS**

Framburg; Skyline Sconce; Model No. 1901; printed from www.lightinguniverse.com on Apr. 19, 2008.  
Lamps Plus; George Kovacs Park Collection Floor Lamp; Model No. 95141; printed from www.lampsplus.com on Mar. 11, 2008.  
Sonneman; Oggetto Table Lamp; Model No. 7016; printed from Modern Lighting Universe Catalog on Feb. 19, 2009.  
Sonneman; Puri Pendant; Black Brass with Bronze Organza Shade; Model No. SM-6020-51; printed from www.lightingbygregory.com on Mar. 20, 2008.

\* cited by examiner

*Primary Examiner*—Brian N Vinson  
(74) *Attorney, Agent, or Firm*—Baker & McKenzie LLP

(57) **CLAIM**

The ornamental design for a light fixture, as shown and described.

**DESCRIPTION**

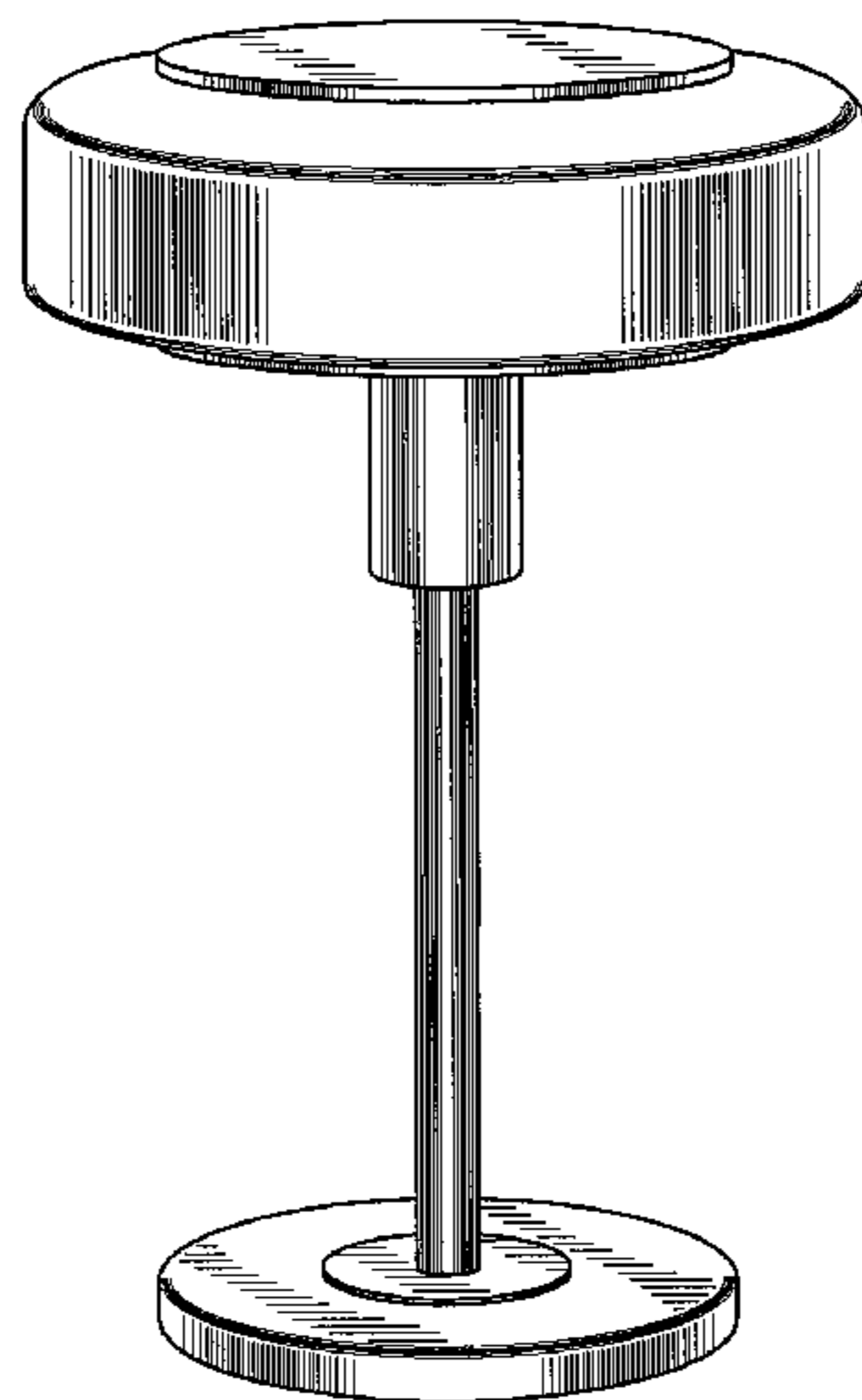
FIG. 1 is a perspective view of a light fixture in accordance with my design;

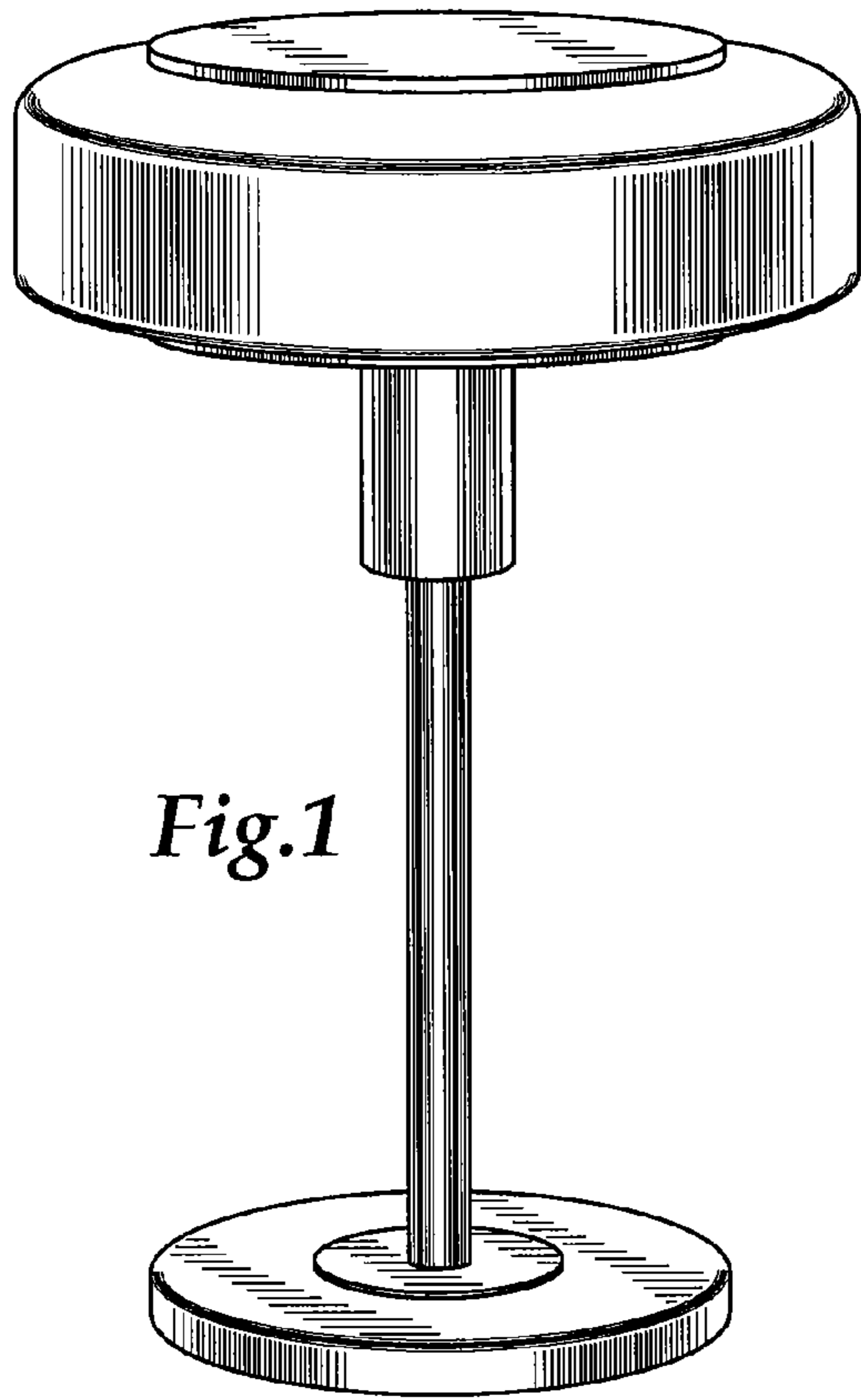
FIG. 2 is a side elevation view of the light fixture in accordance with my design, all sides being substantially identical;

FIG. 3 is a top plan view of the light fixture in accordance with my design; and,

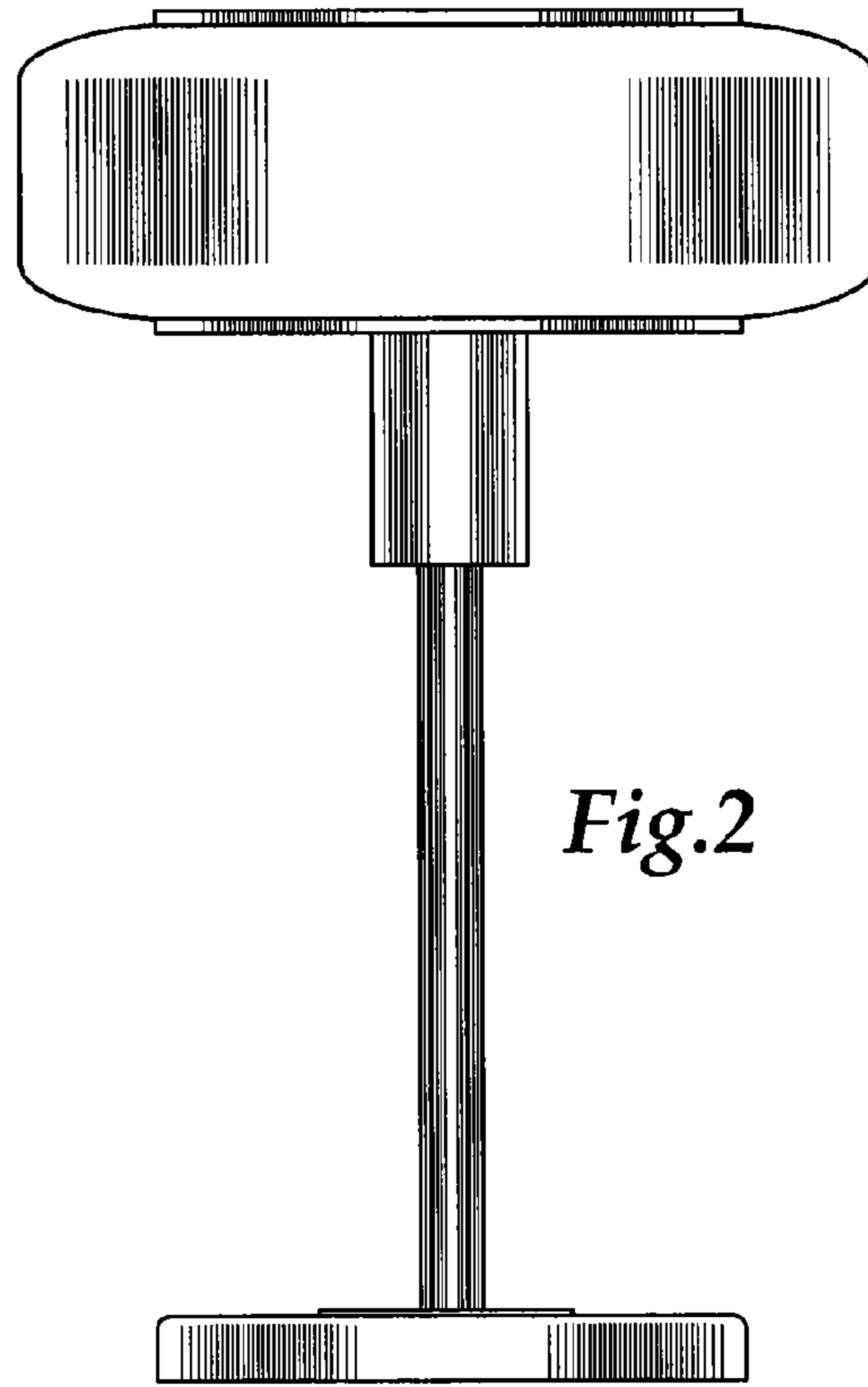
FIG. 4 is a bottom plan view of the light fixture in accordance with my design.

**1 Claim, 1 Drawing Sheet**

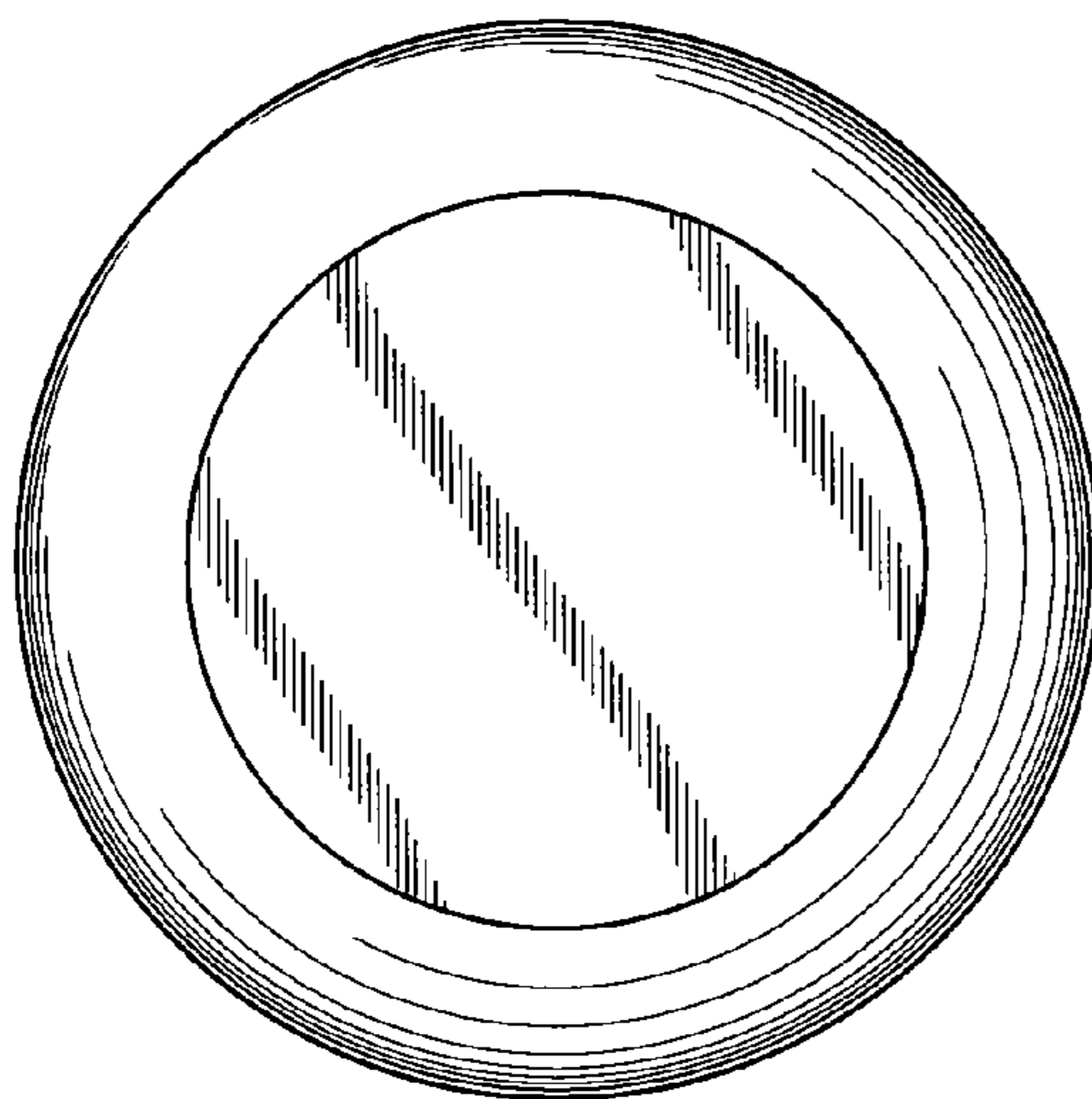




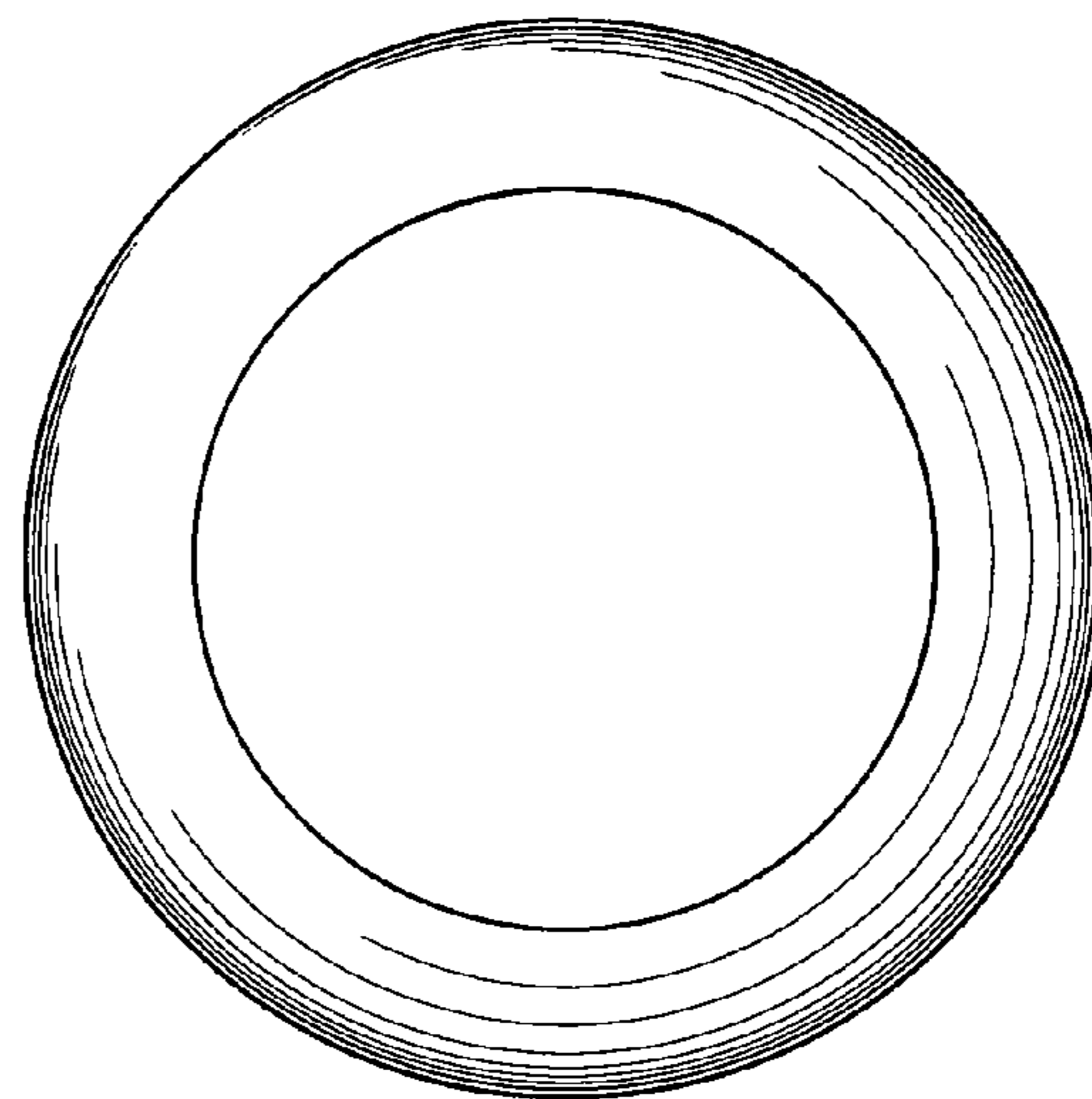
*Fig.1*



*Fig.2*



*Fig.3*



*Fig.4*