



US00D606229S

(12) **United States Design Patent**
Johansen et al.

(10) **Patent No.:** **US D606,229 S**

(45) **Date of Patent:** **** Dec. 15, 2009**

(54) **STRIP LIGHT**

(75) Inventors: **Jarl Johansen**, McKinleyville, CA (US);
Ralph Guest, Fortuna, CA (US); **Isiah**
Hahner, Fortuna, CA (US); **Robert**
Crane, Fortuna, CA (US)

(73) Assignee: **C. Crane Company, Inc.**, Fortuna, CA
(US)

(**) Term: **14 Years**

(21) Appl. No.: **29/324,866**

(22) Filed: **Sep. 22, 2008**

(51) **LOC (9) Cl.** **26-03**

(52) **U.S. Cl.** **D26/80; D26/76**

(58) **Field of Classification Search** D26/72,
D26/75-78, 80; 362/133, 147, 217.01, 219,
362/221-225, 217.02, 217.08, 217.09, 217.1,
362/217.16

See application file for complete search history.

(56) **References Cited**

U.S. PATENT DOCUMENTS

D344,605 S * 2/1994 Aspenwall D26/76
D434,175 S * 11/2000 Fahmian D26/76

6,601,976 B1 * 8/2003 Rhee 362/217.12
D545,477 S * 6/2007 DeBruyne et al. D26/76
D572,400 S * 7/2008 Benensohn D26/76
D584,444 S * 1/2009 Lipson D26/76
D584,844 S * 1/2009 Ghini D26/76
7,494,241 B2 * 2/2009 McCarthy et al. 362/223
2007/0127235 A1 * 6/2007 Cooper et al. 362/217

* cited by examiner

Primary Examiner—Clare E Heflin

(74) *Attorney, Agent, or Firm*—Stolowitz Ford Cowger LLP

(57) **CLAIM**

The ornamental design for a strip light, as shown and described.

DESCRIPTION

FIG. 1 is a perspective view of the strip light.

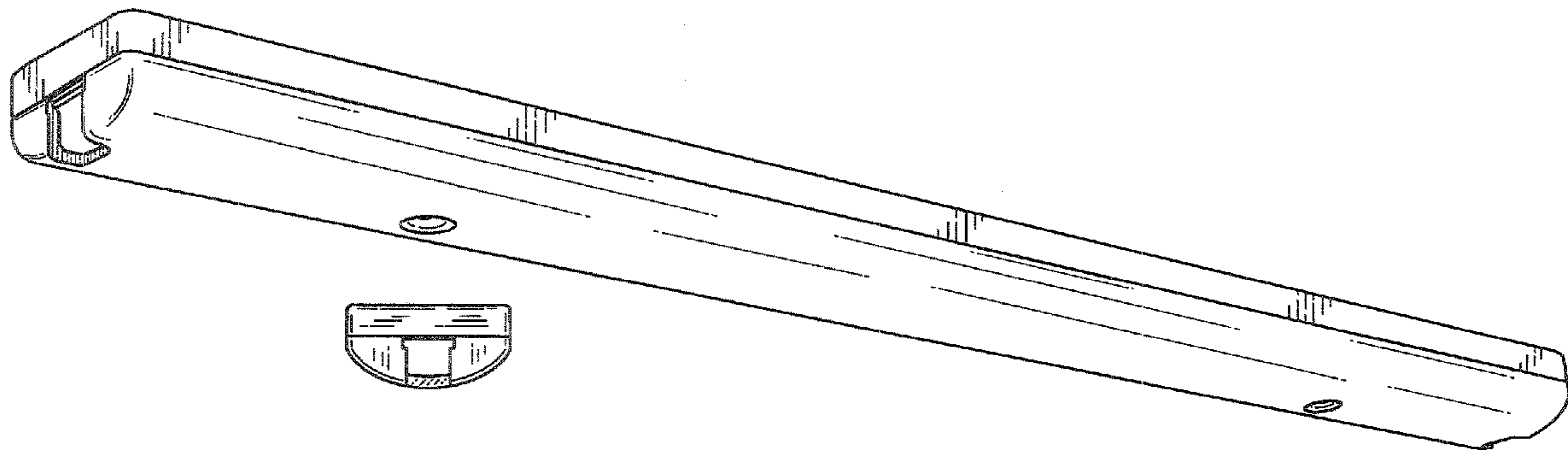
FIG. 2 is a side view of the strip light, the opposite view of the strip light being a mirror image of the side view.

FIG. 3 is a top view of the strip light.

FIG. 4 is a bottom view of the strip light; and,

FIG. 5 is an end view of the strip light, the opposite view of the strip light being a mirror image of the end view.

1 Claim, 2 Drawing Sheets



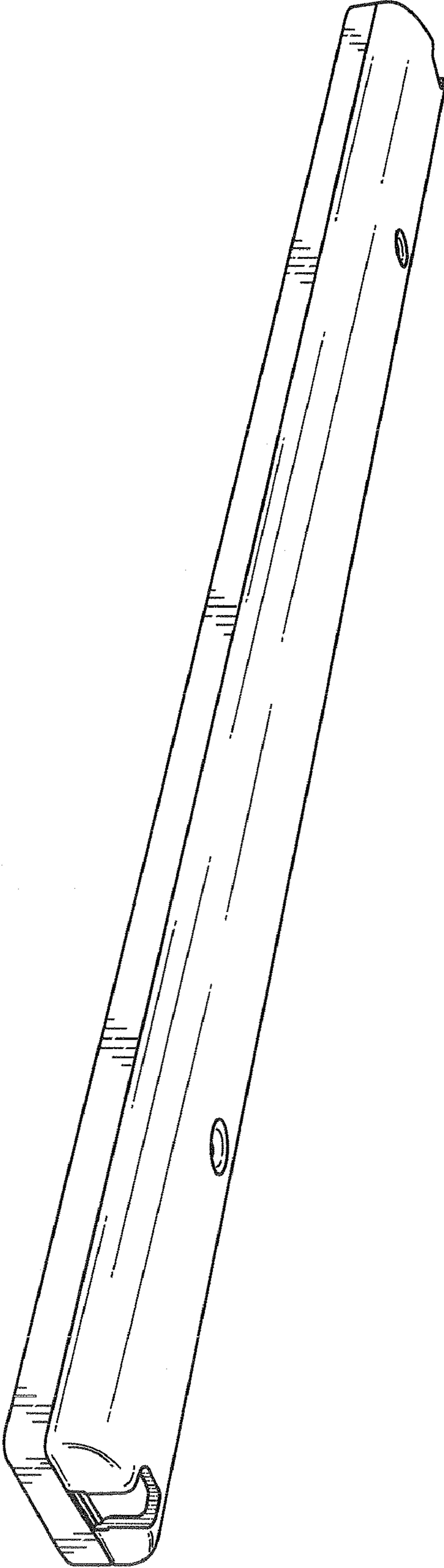


FIG. 1



FIG. 2

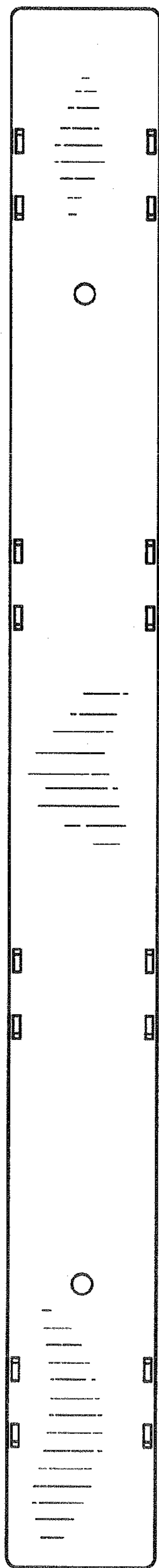


FIG. 3

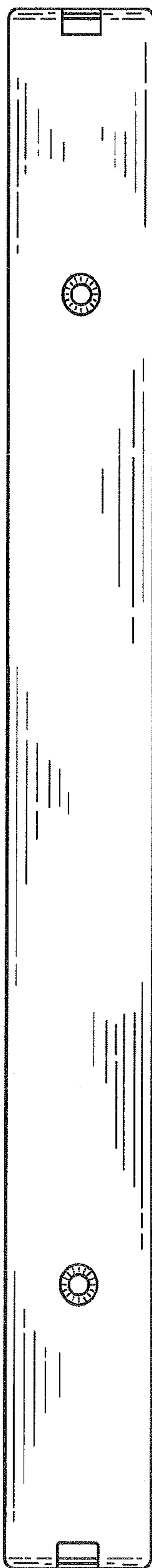


FIG. 4

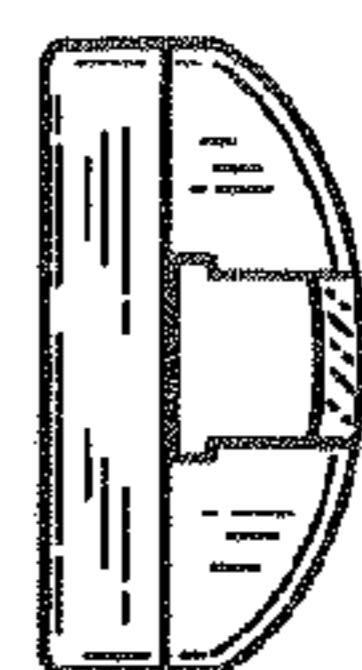


FIG. 5