



US00D606226S

(12) **United States Design Patent**  
**Chen**

(10) **Patent No.:** **US D606,226 S**

(45) **Date of Patent:** **\*\* Dec. 15, 2009**

(54) **SOLAR POWERED OUTDOOR LIGHT**

(75) Inventor: **Chi Gon Chen**, Guang Zhou (CN)

(73) Assignee: **International Development, LLC**,  
Roanoke, TX (US)

(\*\*) Term: **14 Years**

(21) Appl. No.: **29/336,680**

(22) Filed: **May 7, 2009**

(51) **LOC (9) Cl.** ..... **23-05**

(52) **U.S. Cl.** ..... **D26/67**

(58) **Field of Classification Search** ..... D26/67-71,  
D26/85; 362/152, 153, 153.1, 180, 183,  
362/431, 653

See application file for complete search history.

(56) **References Cited**

**U.S. PATENT DOCUMENTS**

D192,125 S *	1/1962	Lasker	.....	D26/67
D208,325 S *	8/1967	Bobrick	.....	D26/67
D469,908 S *	2/2003	Chen	.....	D26/67
D482,814 S *	11/2003	Pu	.....	D26/67
D499,830 S *	12/2004	Chen	.....	D26/67
D505,509 S *	5/2005	Chen	.....	D26/67
D511,394 S *	11/2005	Chen	.....	D26/68
D532,141 S *	11/2006	Chen	.....	D26/67

D533,294 S *	12/2006	Chen	.....	D26/67
D548,870 S *	8/2007	Richmond	.....	D26/67
D557,851 S *	12/2007	Chen	.....	D26/67

\* cited by examiner

*Primary Examiner*—Clare E Heflin

(74) *Attorney, Agent, or Firm*—Honigman Miller Schwartz  
and Cohn LLP

(57) **CLAIM**

The ornamental design for a solar powered outdoor light, as shown and described.

**DESCRIPTION**

FIG. 1 is an isometric view of a solar powered outdoor light showing the new design;

FIG. 2 is a front elevation view thereof; the back elevation views being the same.

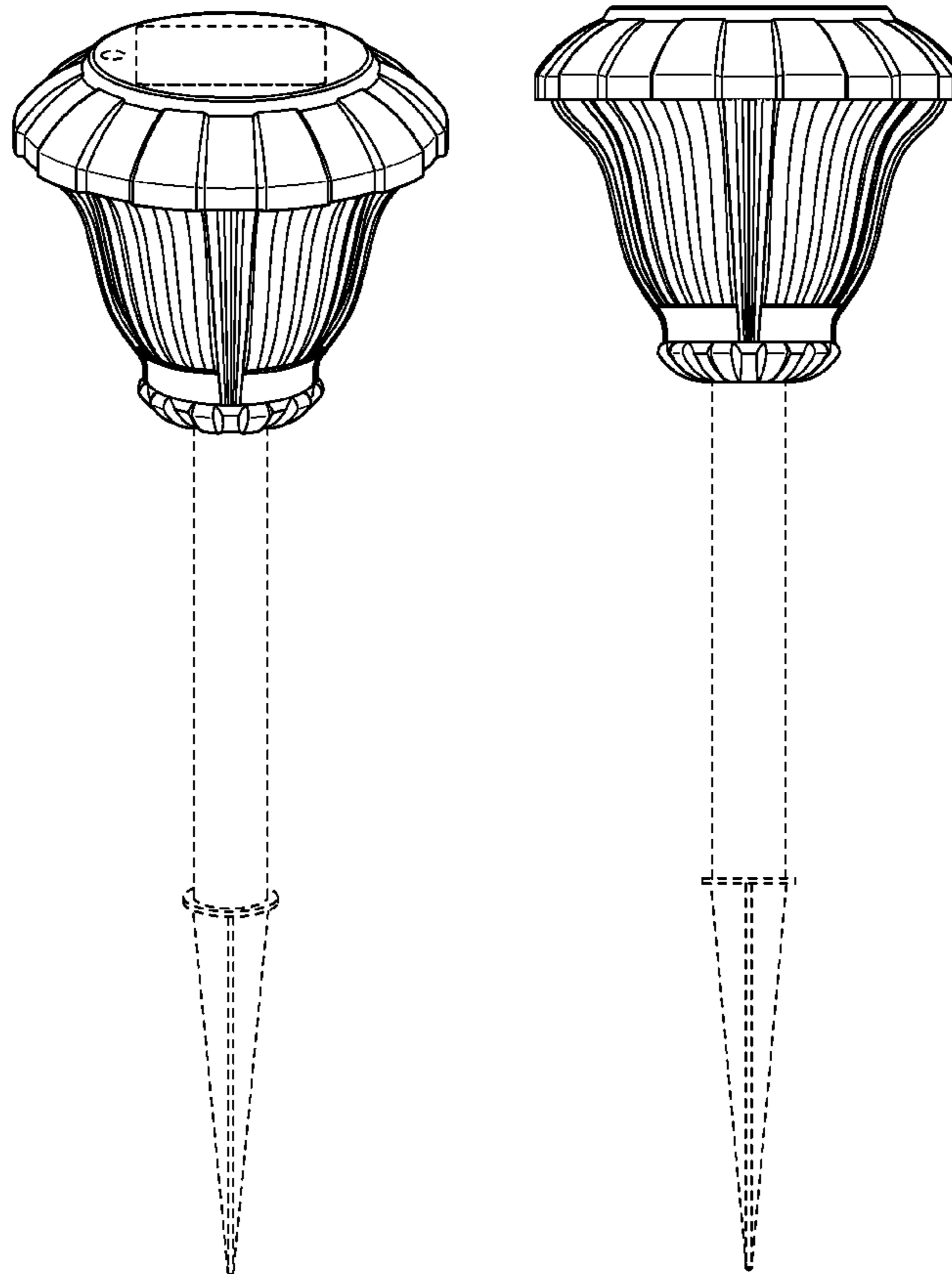
FIG. 3 is a right side elevation view thereof; the left side elevation being the same;

FIG. 4 is a top plan view thereof; and,

FIG. 5 is a bottom plan view thereof.

The broken lines shown on the drawings represent environment only and form no part of the claim.

**1 Claim, 4 Drawing Sheets**



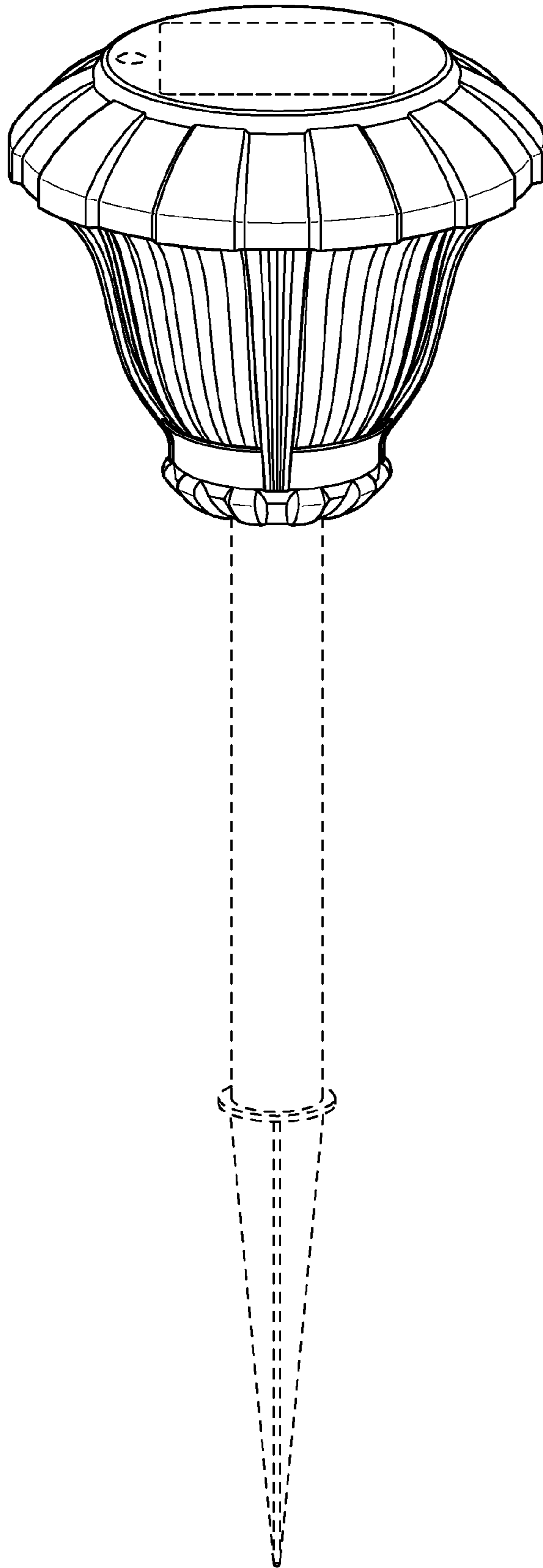


FIG. 1

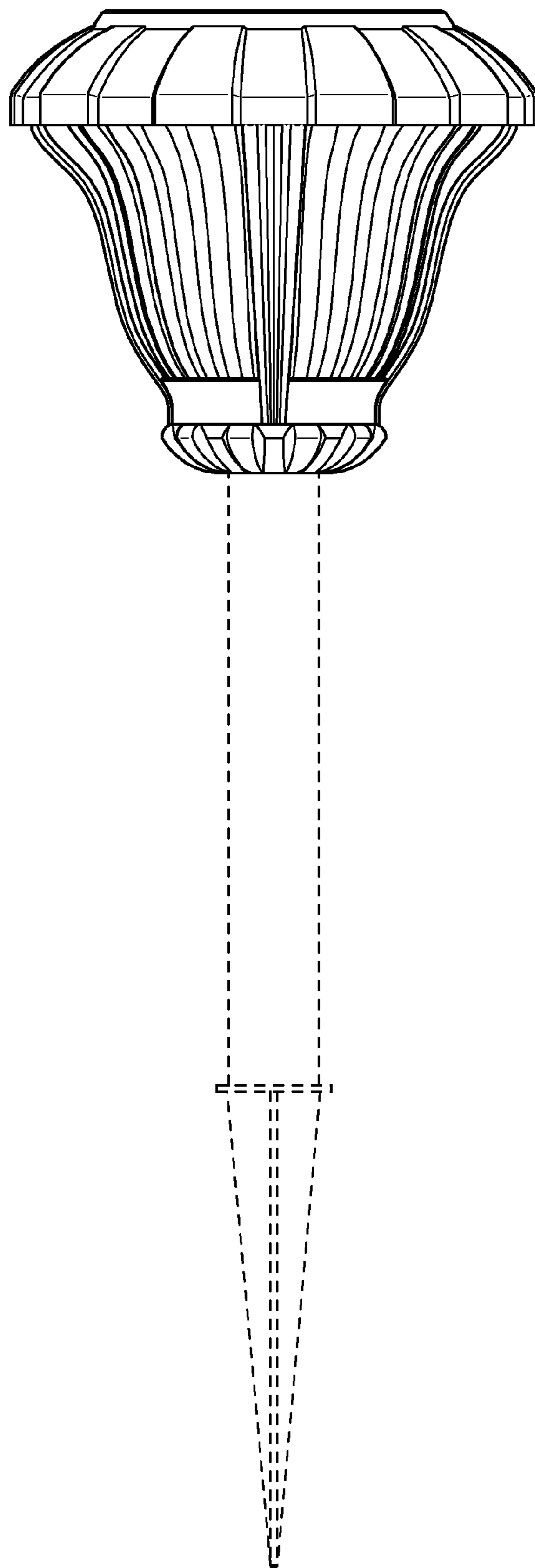


FIG. 2

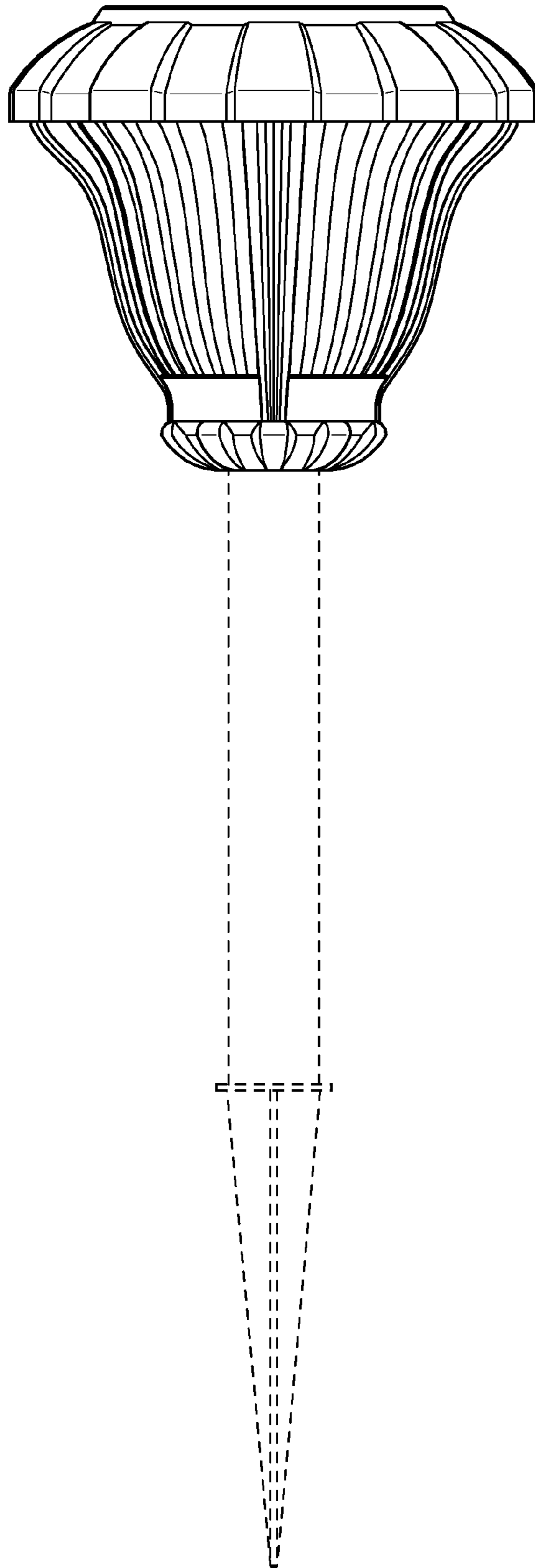


FIG. 3

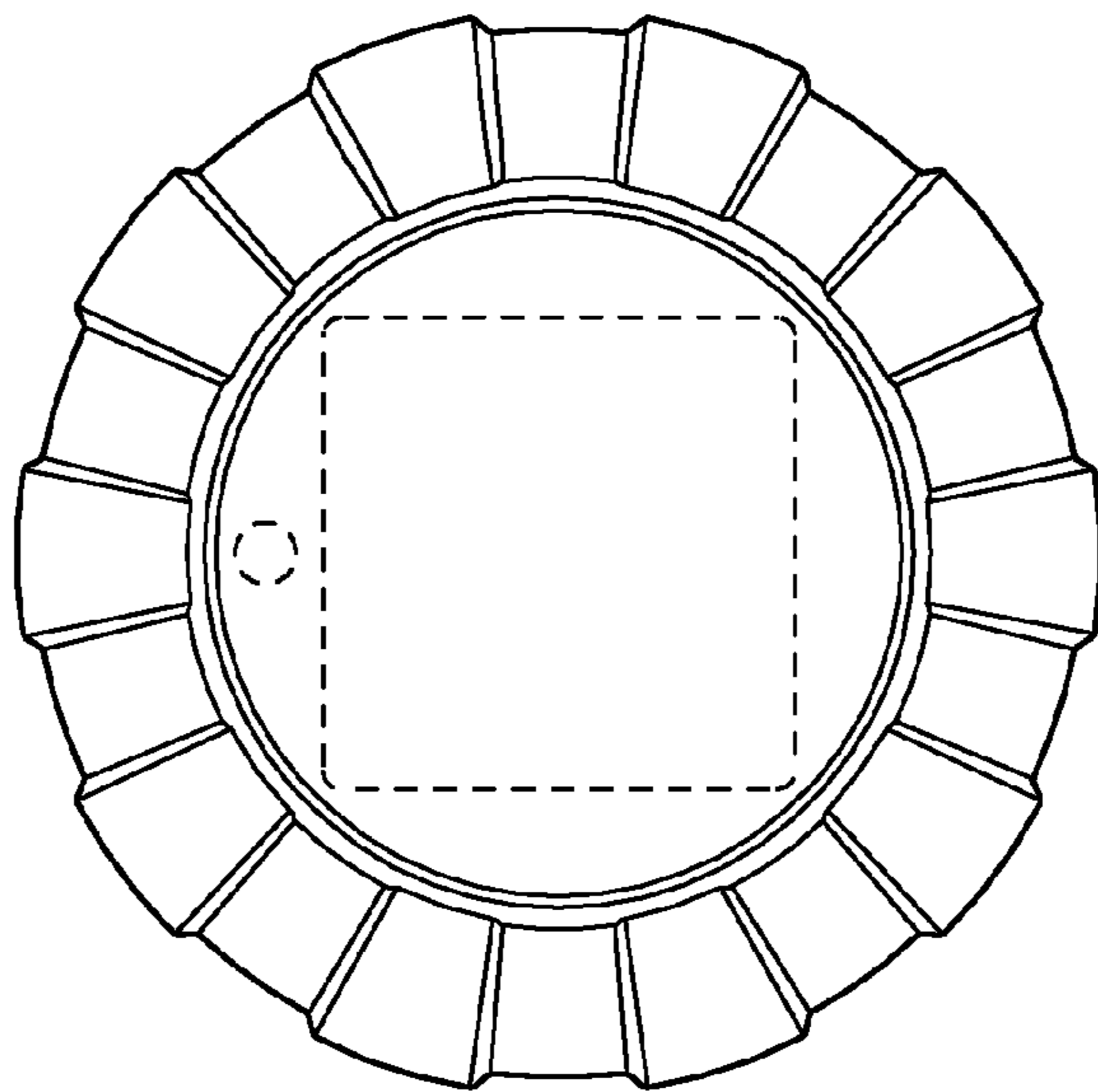


FIG. 4

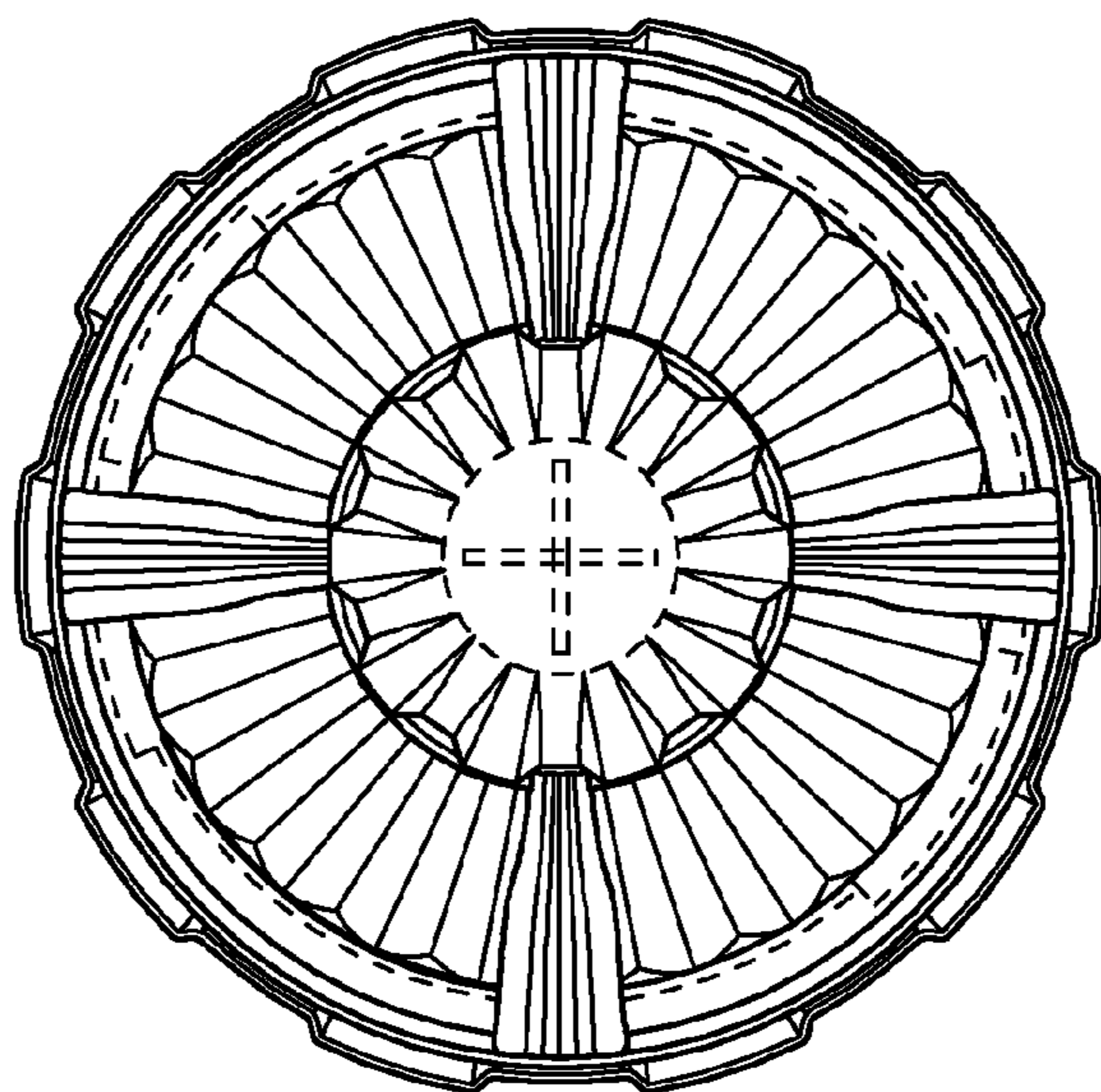


FIG. 5