



US00D606222S

(12) **United States Design Patent**
Gebhard

(10) **Patent No.:** **US D606,222 S**

(45) **Date of Patent:** **** Dec. 15, 2009**

(54) **FLASHLIGHT**

(75) Inventor: **Albert W. Gebhard**, Devner, CO (US)

(73) Assignee: **Golight Inc.**, Culbertson, NE (US)

(**) Term: **14 Years**

(21) Appl. No.: **29/324,471**

(22) Filed: **Sep. 12, 2008**

(51) **LOC (9) Cl.** **26-02**

(52) **U.S. Cl.** **D26/49**

(58) **Field of Classification Search** D26/37,
D26/46, 49, 48, 50; 362/157, 158, 184, 190,
362/194, 195, 200-208

See application file for complete search history.

(56) **References Cited**

U.S. PATENT DOCUMENTS

D96,051 S *	6/1935	Osterman	D3/13
D308,580 S *	6/1990	Tremaglio et al.	D26/49
D363,564 S *	10/1995	Kish et al.	D26/49
5,558,430 A	9/1996	Booty, Jr.		
5,971,562 A	10/1999	Yang		
D426,906 S *	6/2000	Nakagawa et al.	D26/49
D451,223 S	11/2001	Parker		
6,641,279 B1	11/2003	Williams		
D506,559 S	6/2005	Chen		
D507,367 S	7/2005	Chen		
D521,670 S *	5/2006	Kung	D26/49
D536,465 S	2/2007	Krieger et al.		
D542,448 S *	5/2007	Wang	D26/49
D549,376 S	8/2007	Shiu		
D549,860 S *	8/2007	Gustafson et al.	D26/37
2007/0159008 A1	7/2007	Bayat et al.		
2007/0189029 A1	8/2007	Zhang		

* cited by examiner

Primary Examiner—Ian Simmons
Assistant Examiner—Carissa C Fitts

(74) *Attorney, Agent, or Firm*—Margaret Polson; Oppedahl Patent Law Firm LLC

(57) **CLAIM**

The ornamental design of a flashlight, as shown and described.

DESCRIPTION

FIG. 1 is a front perspective view of our new design for a flashlight.

FIG. 2 is a front elevation view of the flashlight shown in FIG. 1.

FIG. 3 is a back side elevation view of the flashlight shown in FIG. 1

FIG. 4 is a top plan view of the flashlight shown in FIG. 1.

FIG. 5 is a bottom plan view of the flashlight shown in FIG. 1.

FIG. 6 is a right elevation view of the flashlight shown in FIG. 1, the left side being a mirror image

FIG. 7 is a front perspective view of an alternate embodiment our new design for a flashlight, that differs from the first embodiment only in that has an additional strap attachment point, it being understood that bottom surface is same as the first embodiment.

FIG. 8 is a front elevation view of the flashlight shown in FIG. 7.

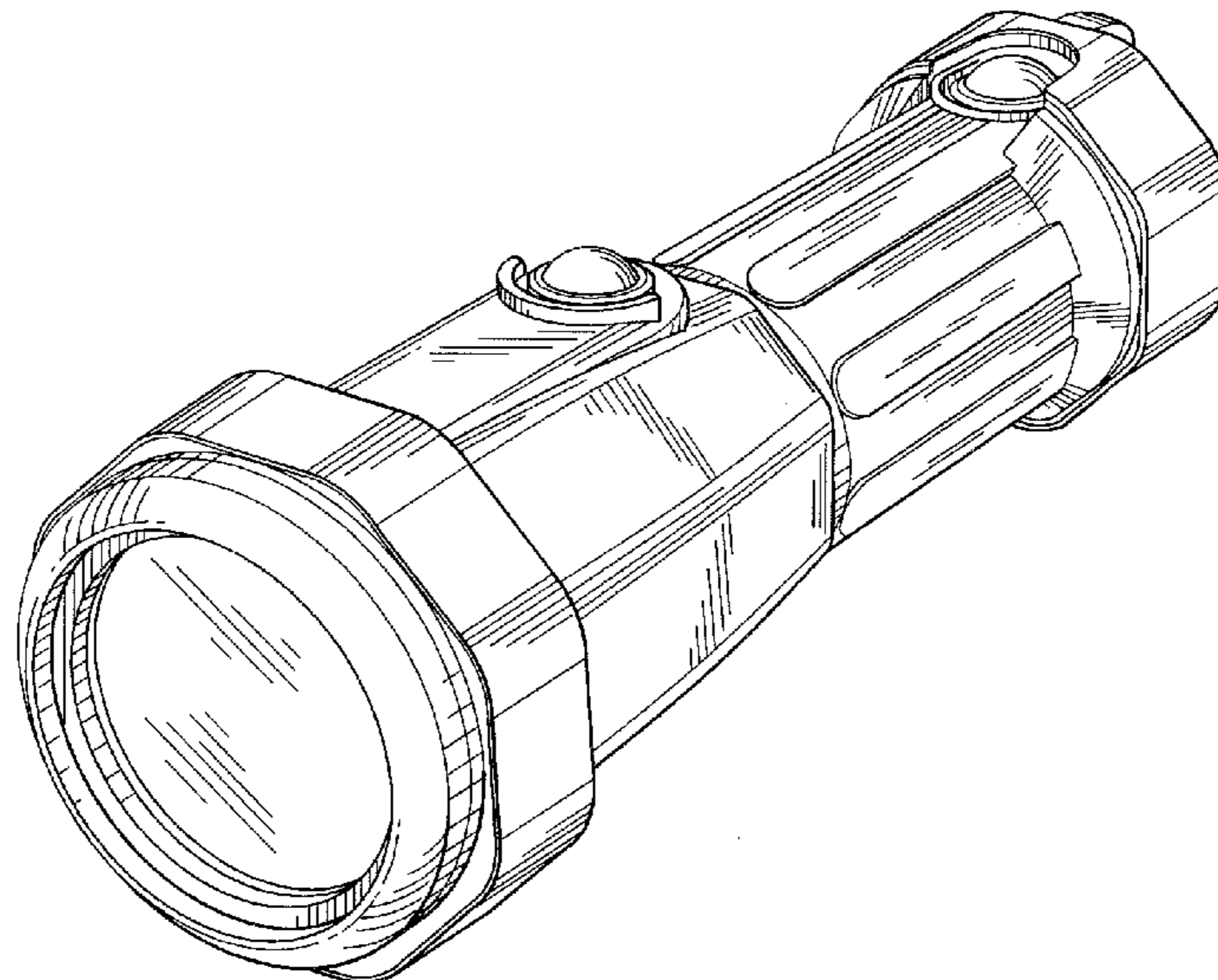
FIG. 9 is a back side elevation view of the flashlight shown in FIG. 7

FIG. 10 is a top plan view of the flashlight shown in FIG. 7; and,

FIG. 11 is right elevation view of the flashlight shown in FIG. 7, the left side being a mirror image.

The broken line showing is for illustrative purposes only and forms no part of the claimed design.

1 Claim, 4 Drawing Sheets



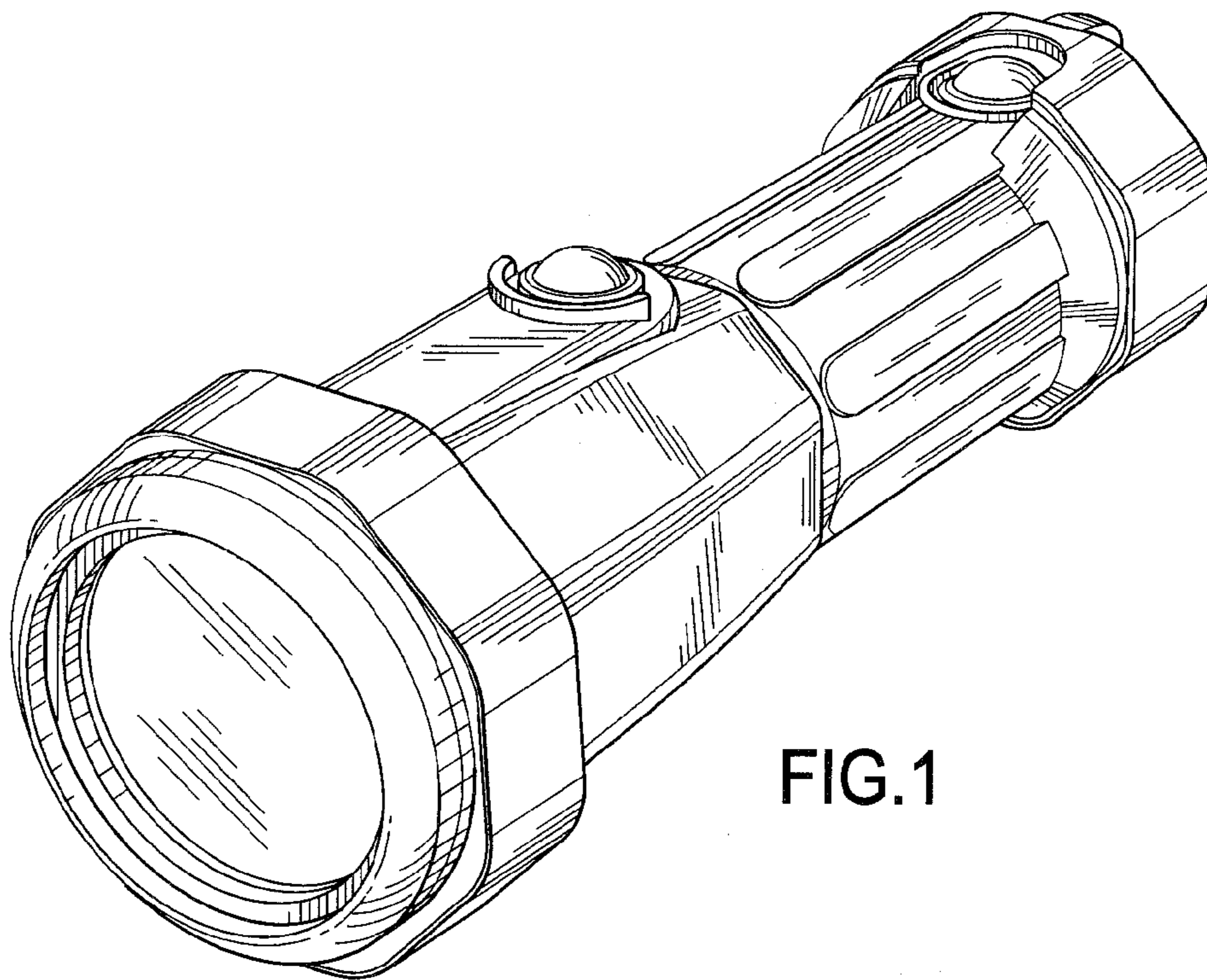


FIG. 1

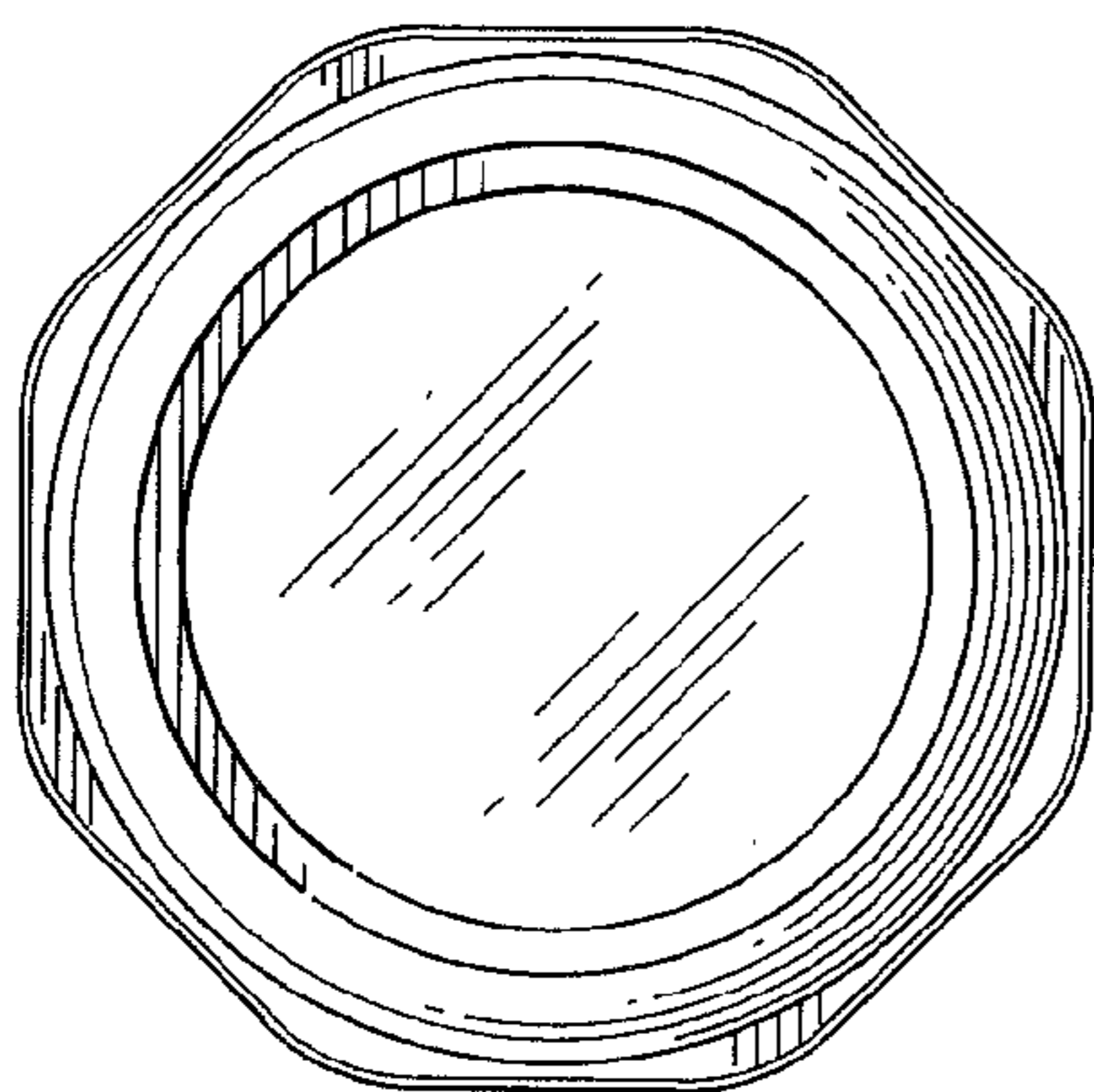


FIG. 2

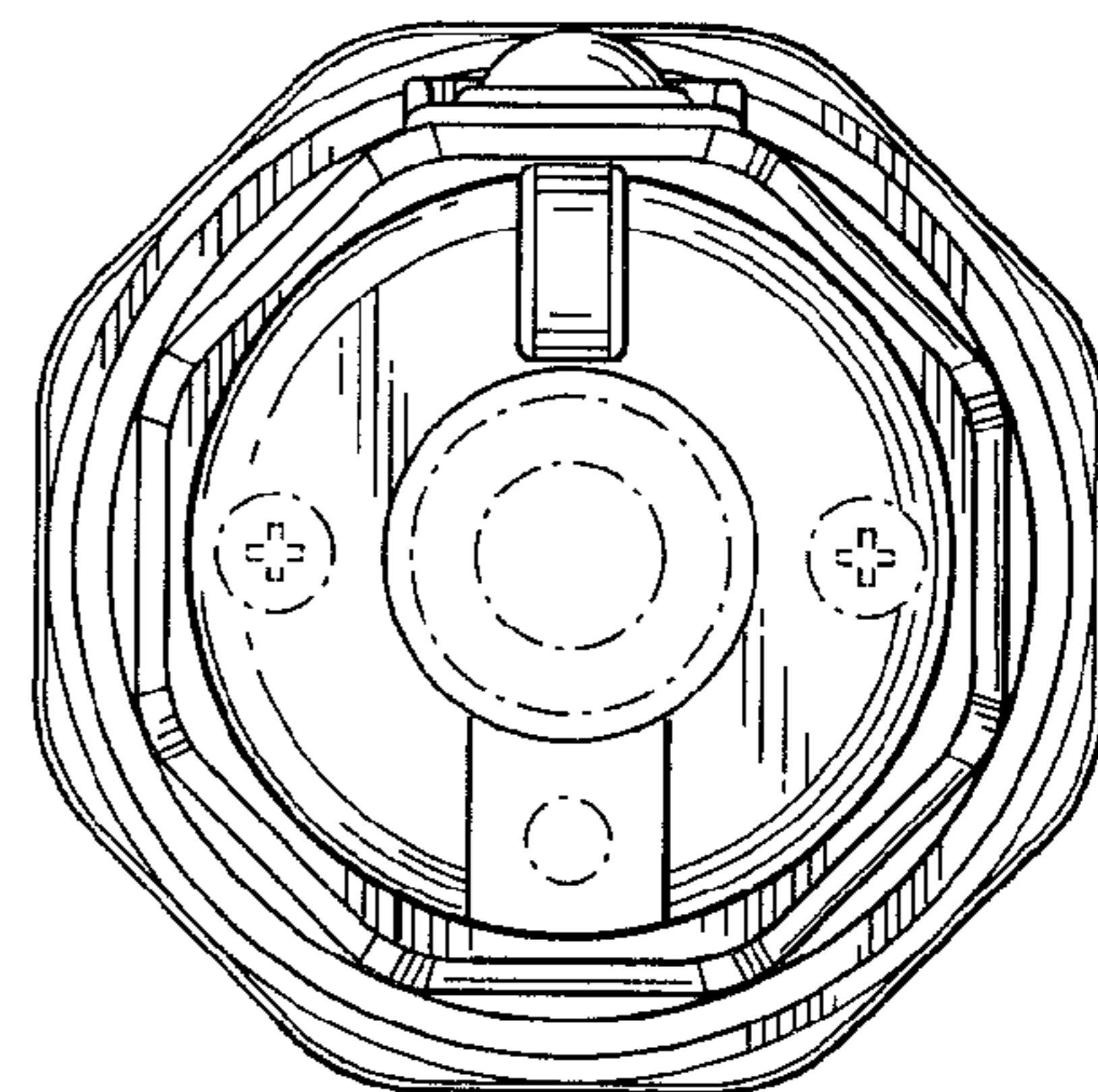


FIG. 3

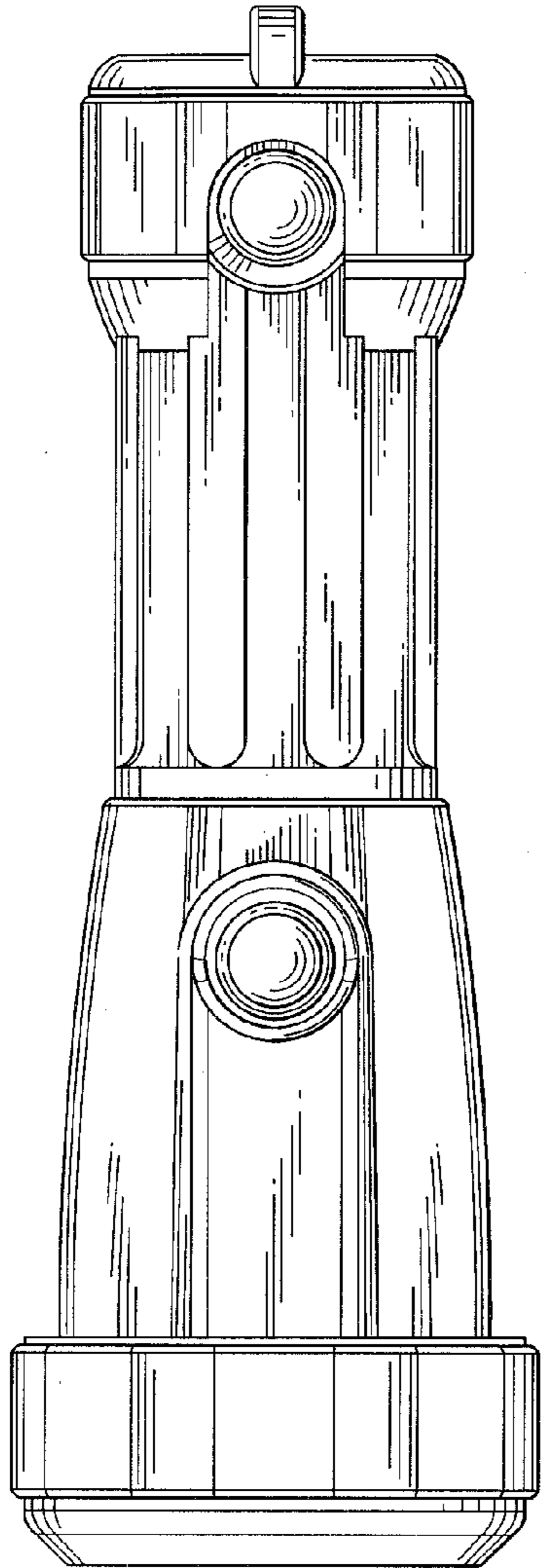


FIG. 4

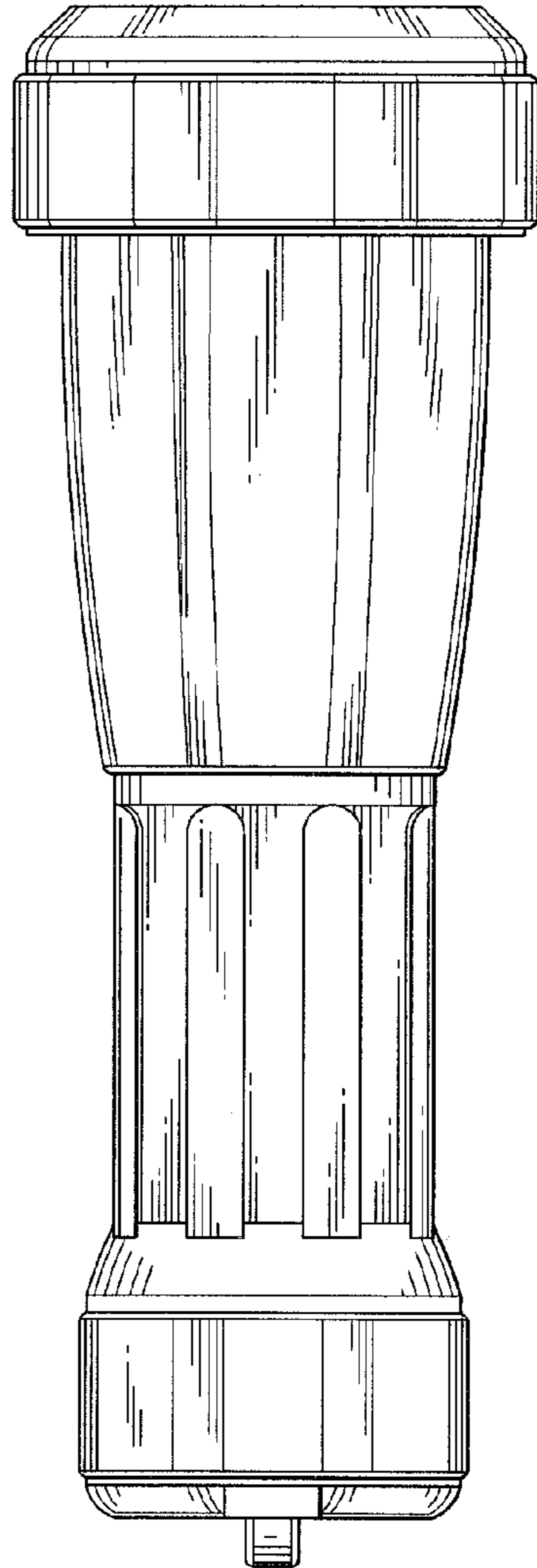


FIG. 5

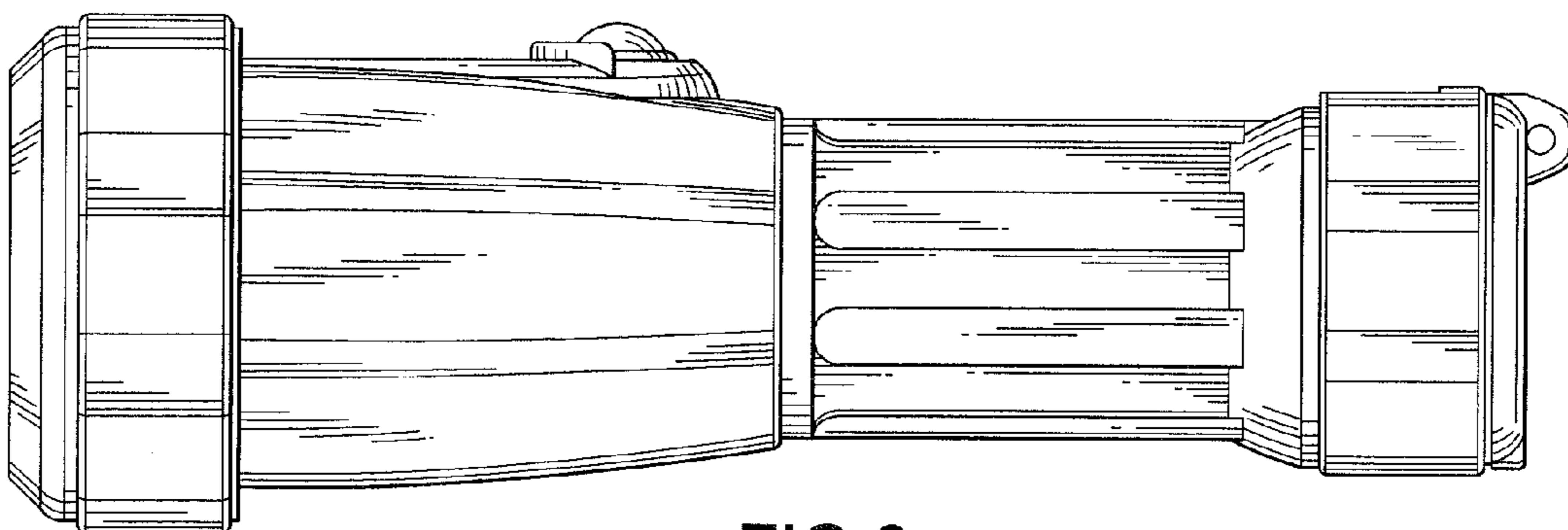


FIG. 6

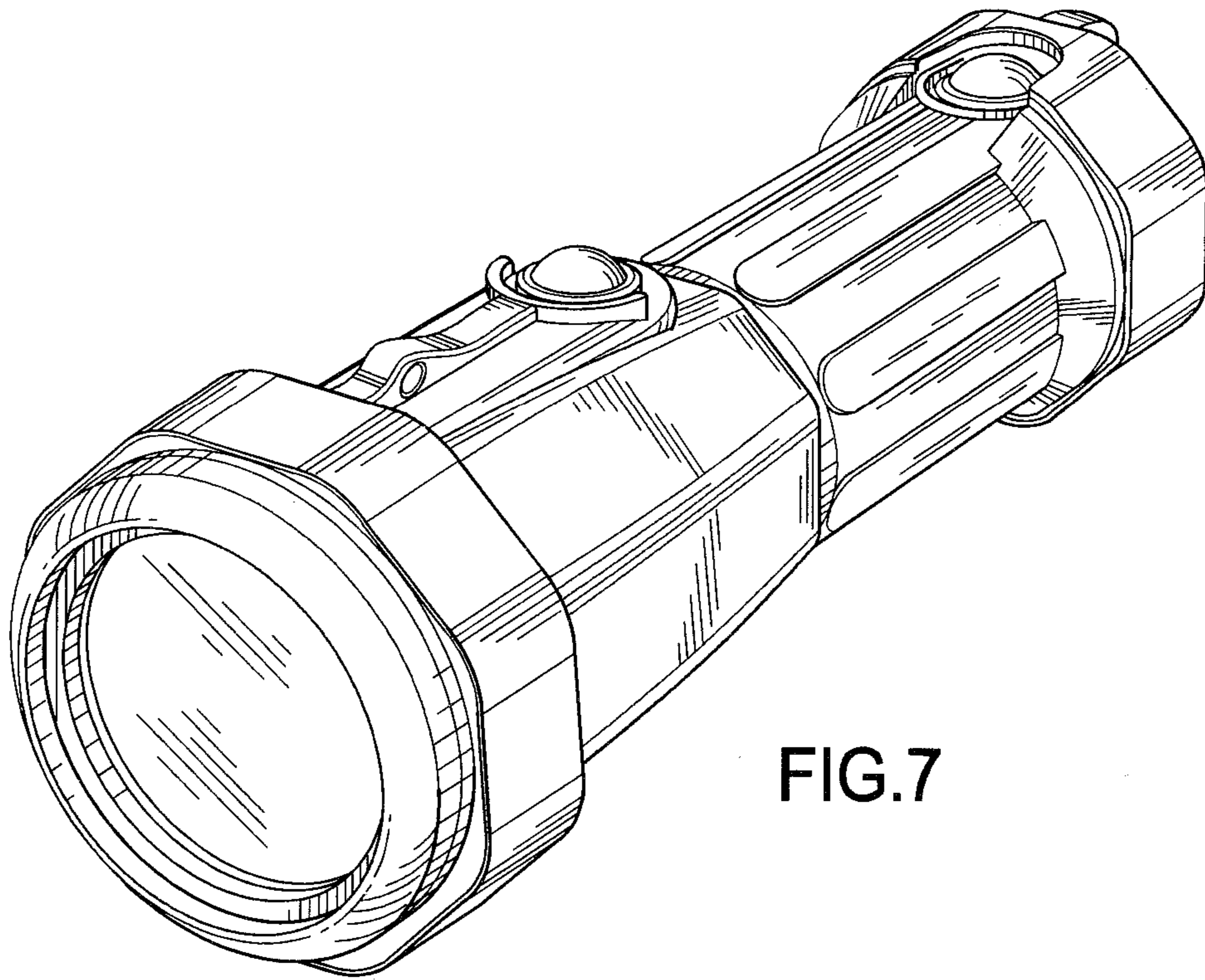


FIG. 7

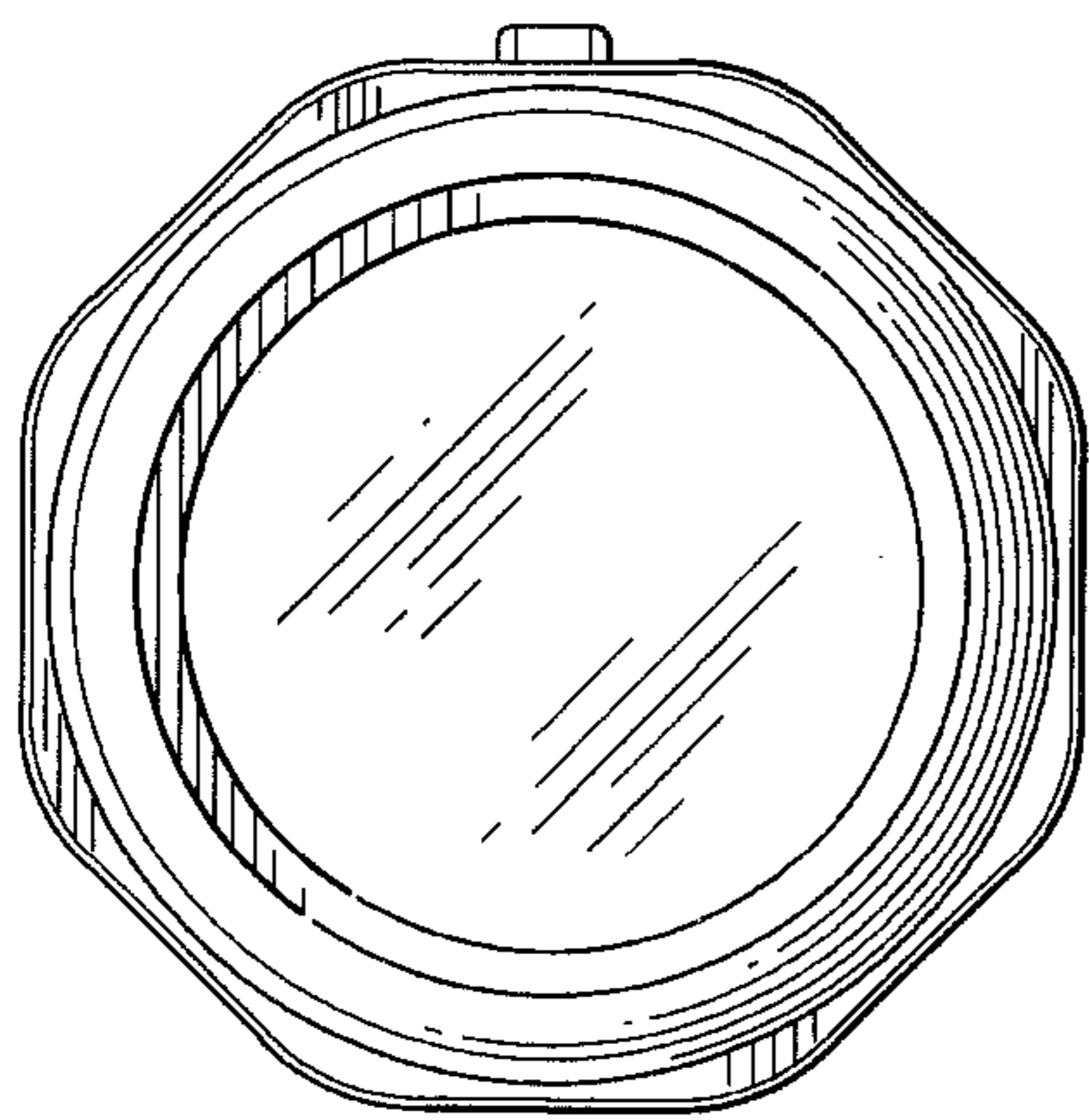


FIG. 8

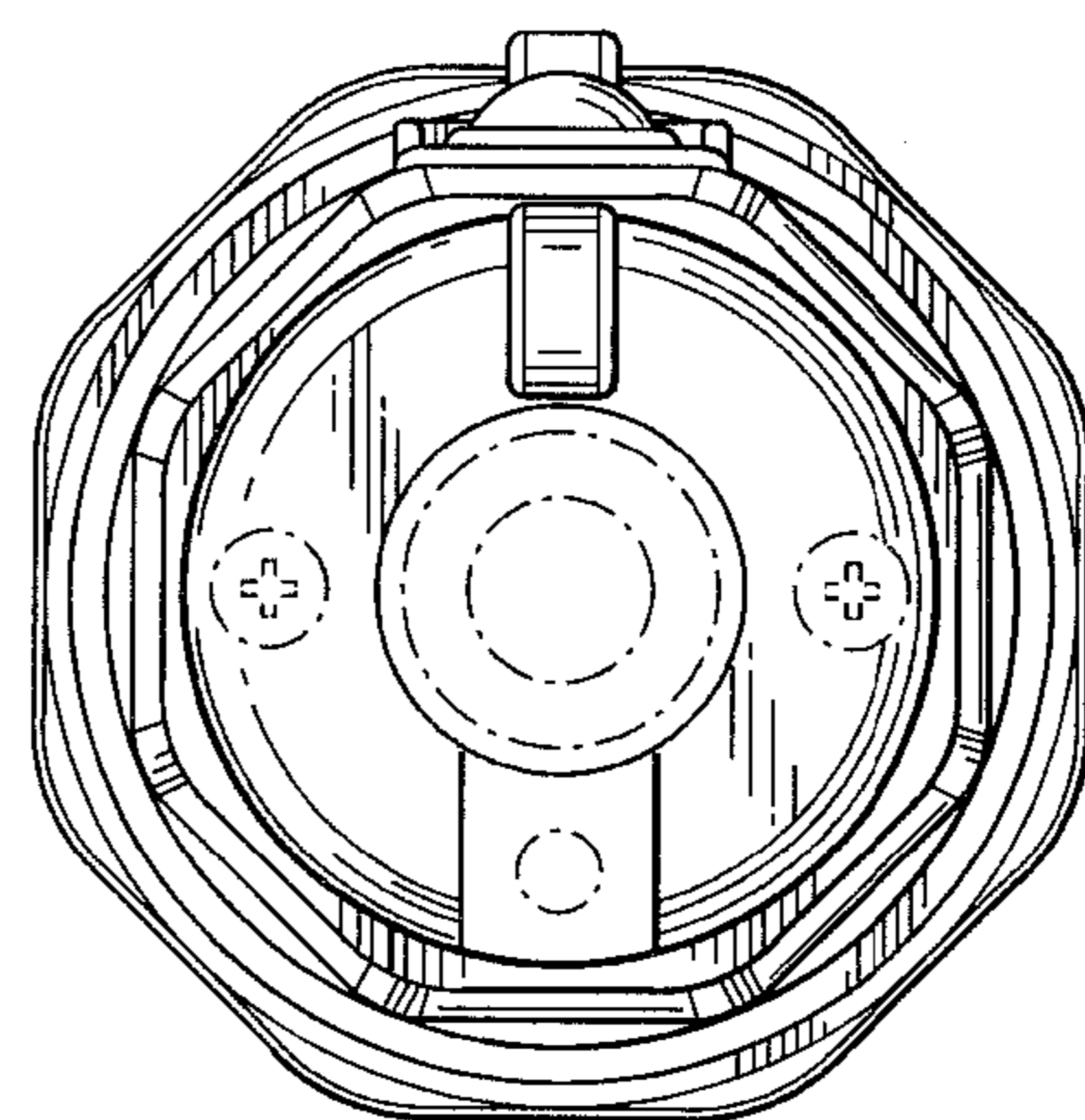


FIG. 9

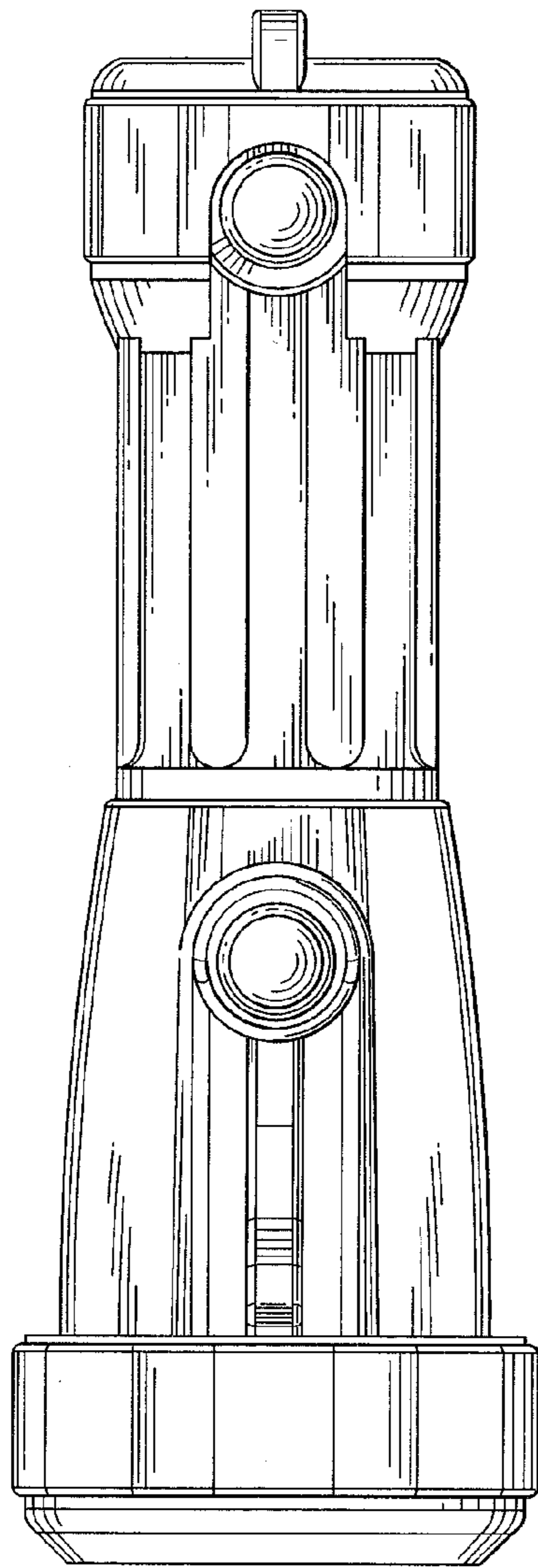


FIG.10

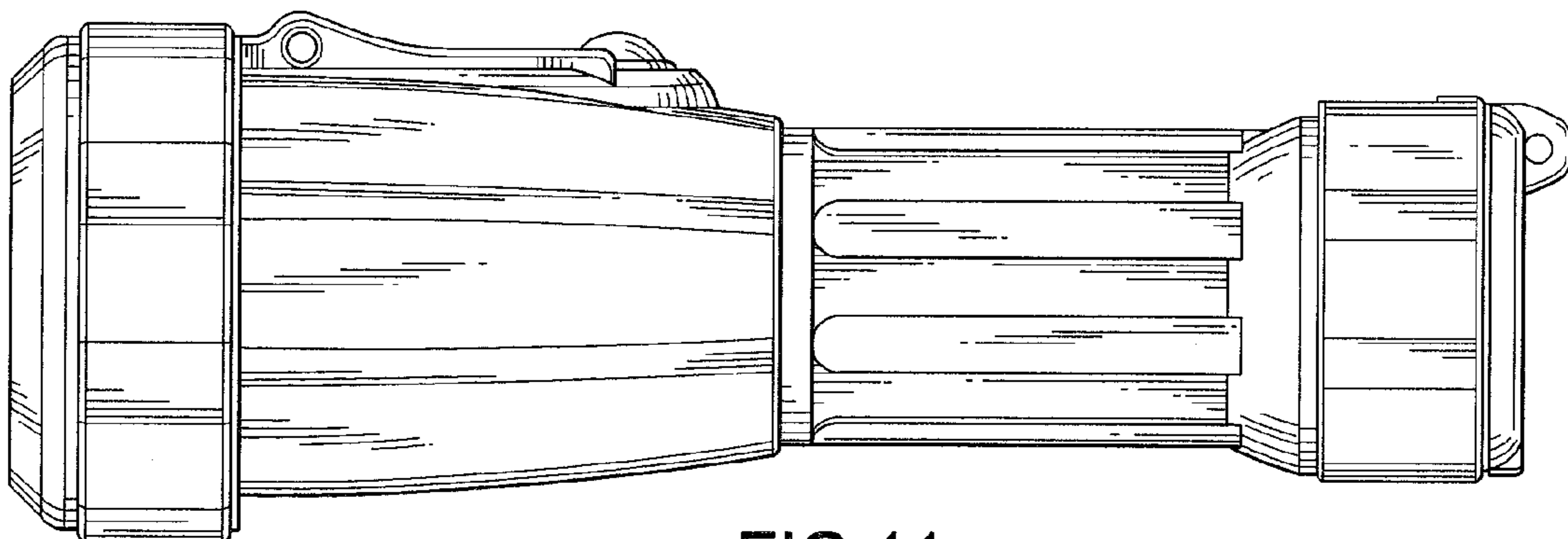


FIG.11

UNITED STATES PATENT AND TRADEMARK OFFICE
CERTIFICATE OF CORRECTION

PATENT NO. : Des. 606,222 S
APPLICATION NO. : 29/324471
DATED : December 15, 2009
INVENTOR(S) : Albert W. Gebhard and Colton D. Hosick

Page 1 of 1

It is certified that error appears in the above-identified patent and that said Letters Patent is hereby corrected as shown below:

Title Page; please insert;

Item [75], inventor: --Colton D. Hosick--

Signed and Sealed this

Fifteenth Day of June, 2010

A handwritten signature in black ink that reads "David J. Kappos". The signature is written in a cursive, flowing style.

David J. Kappos
Director of the United States Patent and Trademark Office