



US00D606216S

(12) **United States Design Patent**
Schiavone et al.

(10) **Patent No.:** **US D606,216 S**

(45) **Date of Patent:** **** Dec. 15, 2009**

(54) **VEHICLE HEADLIGHT**

(75) Inventors: **Patrick Schiavone**, Bloomfield, MI (US); **Doyle Letson**, Novi, MI (US); **Hak Soo Ha**, Northville, MI (US); **Lukas Chung**, Royal Oak, MI (US)

(73) Assignee: **Ford Motor Company**, Dearborn, MI (US)

(**) Term: **14 Years**

(21) Appl. No.: **29/338,291**

(22) Filed: **Jun. 9, 2009**

(51) **LOC (9) Cl.** **26-04**

(52) **U.S. Cl.** **D26/28**

(58) **Field of Classification Search** D26/28-36;
362/459-468, 475-478, 485-487
See application file for complete search history.

(56) **References Cited**

U.S. PATENT DOCUMENTS

D556,349 S *	11/2007	Golden et al.	D26/28
D560,291 S *	1/2008	Koyama	D26/28
D560,832 S	1/2008	Hsu		
D570,007 S	1/2008	Hsu		
D561,358 S *	2/2008	Tachibana	D26/28
D561,359 S	2/2008	Hsu		
D563,576 S *	3/2008	Hanaoka	D26/28

OTHER PUBLICATIONS

New York 2004 Lincoln Concept Aviator, <http://www.a2mac1.net>.

Spy Photos: 2008 Lincoln MKX—Maybe, <http://jalopnik.com/cars/news/spy-photos-2008-lincoln-mkx-+-maybe>.

New York 2007 Lincoln MKX V6, <http://www.a2mac1.net>.

Detroit 2008: Lincoln MKT Concept is bold and bedazzled, Jan 14, 2008, <http://WWW.autoblog.com/2008/01/14/detroit-2008-lincoln-mkt-concept-bold-and-bedazzled/>.

* cited by examiner

Primary Examiner—Marcus A Jackson

(74) *Attorney, Agent, or Firm*—Damian Porcari

(57) **CLAIM**

An ornamental design for a vehicle headlight, shown and described.

DESCRIPTION

FIG. 1 is a front elevational view of a left vehicle headlight (both the left and right vehicle headlight being mirror images and only one is shown);

FIG. 2 is a left side elevational view of the vehicle headlight;

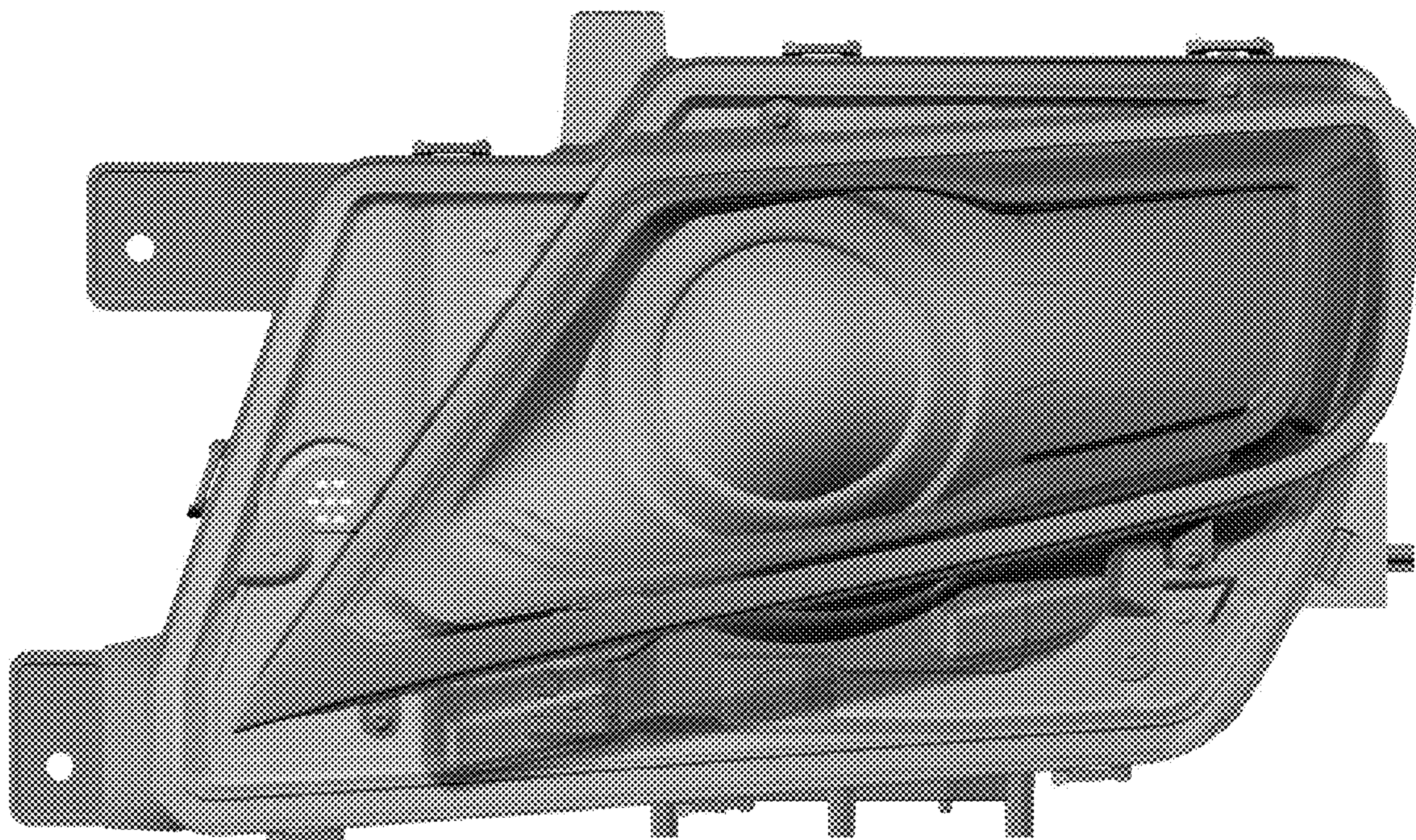
FIG. 3 is a right side elevational view of the vehicle headlight;

FIG. 4 is a top plan view of the vehicle headlight; and,

FIG. 5 is a bottom plan view of the vehicle headlight.

Shading is used to illustrate the curvature of the part and not color. Any functional features of the vehicle headlight are not claimed. Views are orthogonal projections rendered from computer aided design data. The various views are not necessarily to scale in order to better illustrate the design.

1 Claim, 5 Drawing Sheets



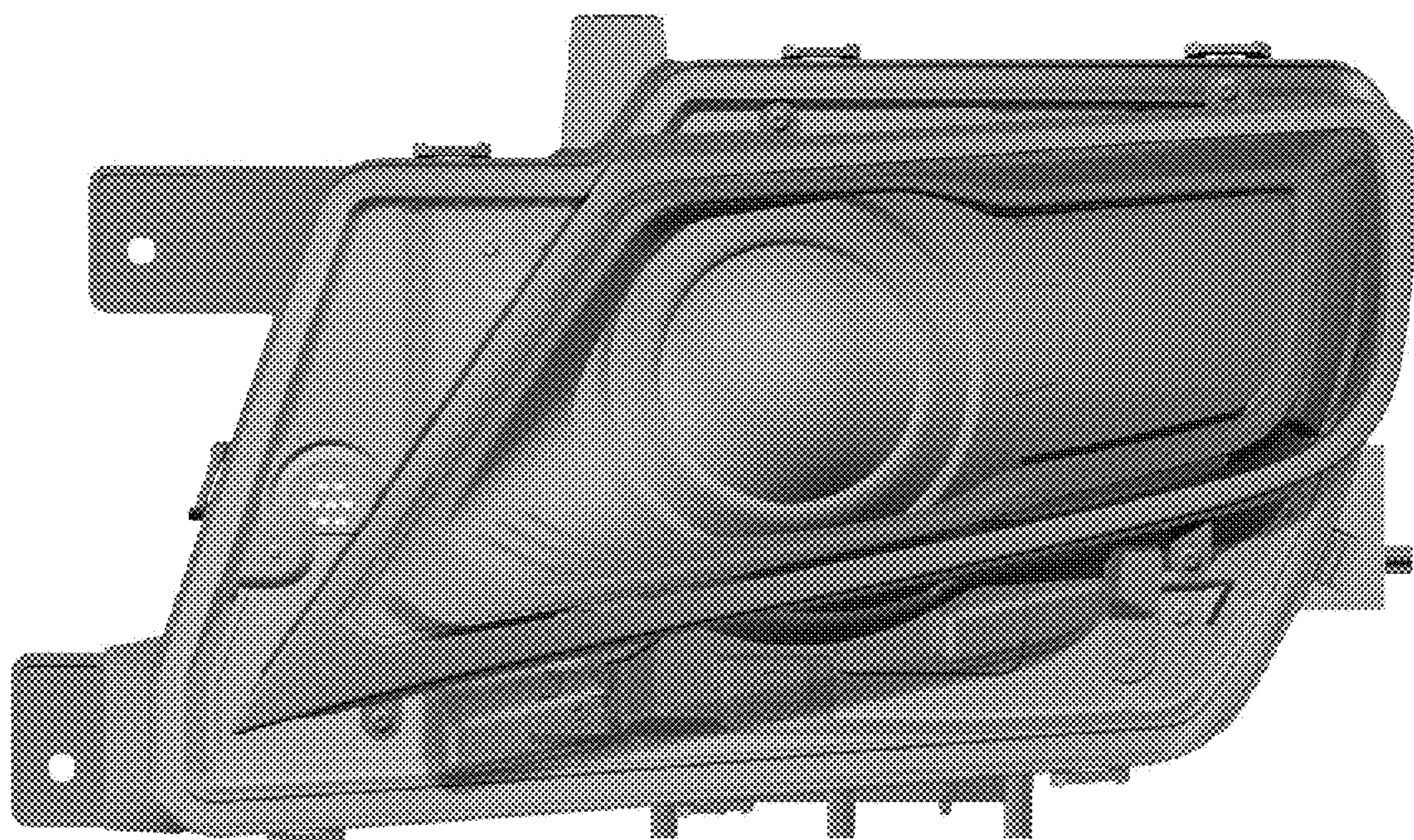


Figure 1

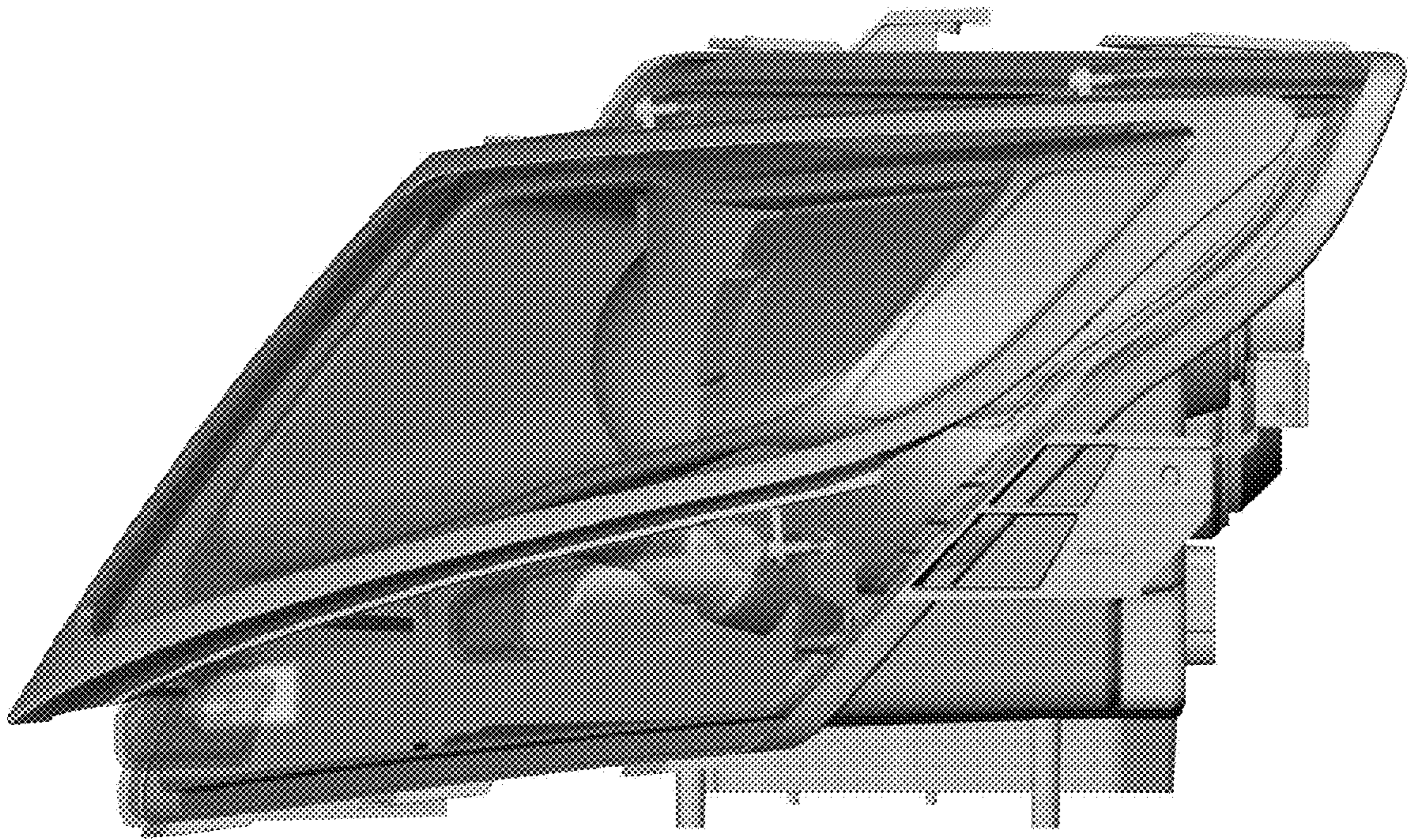


Figure 2

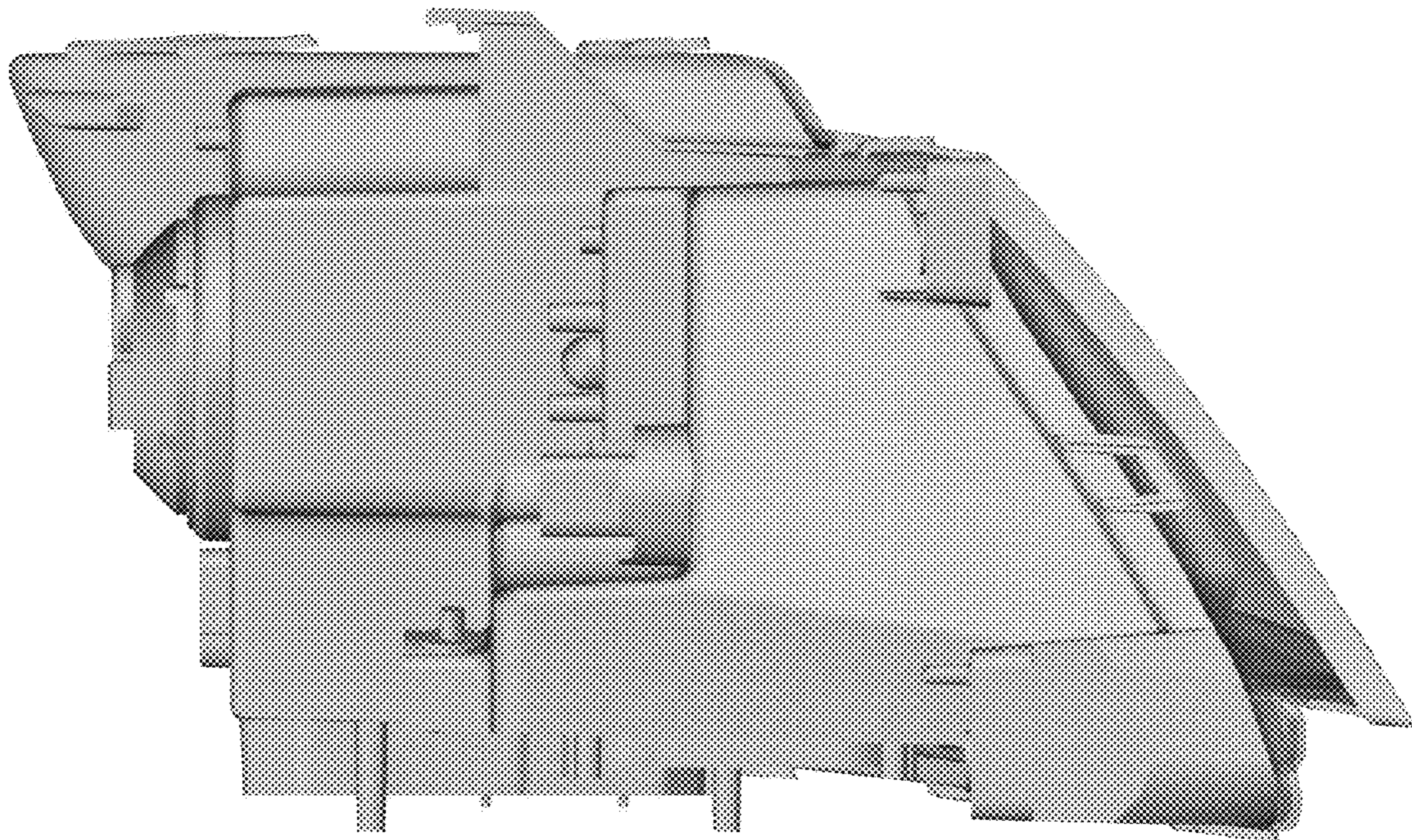


Figure 3

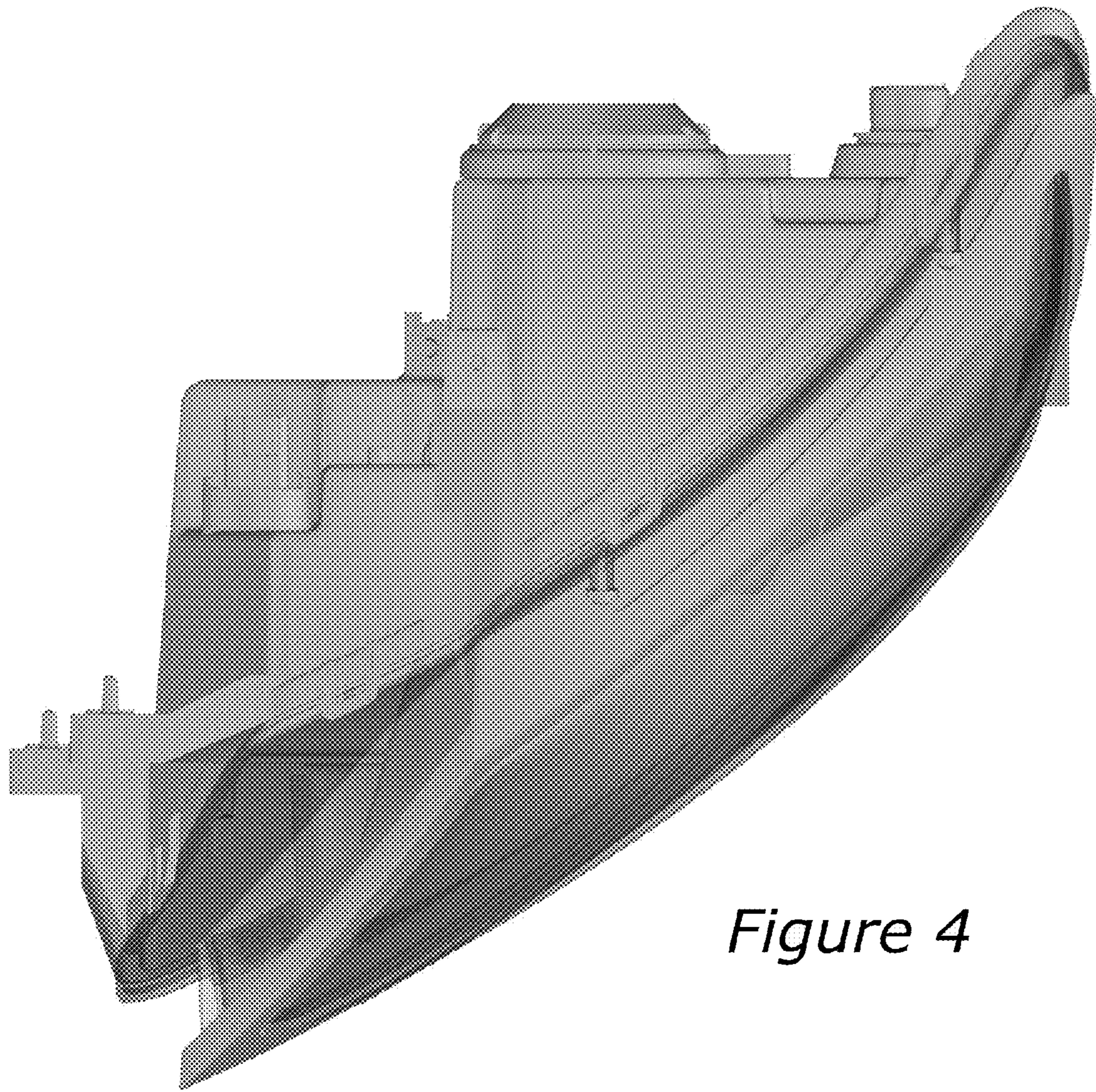


Figure 4

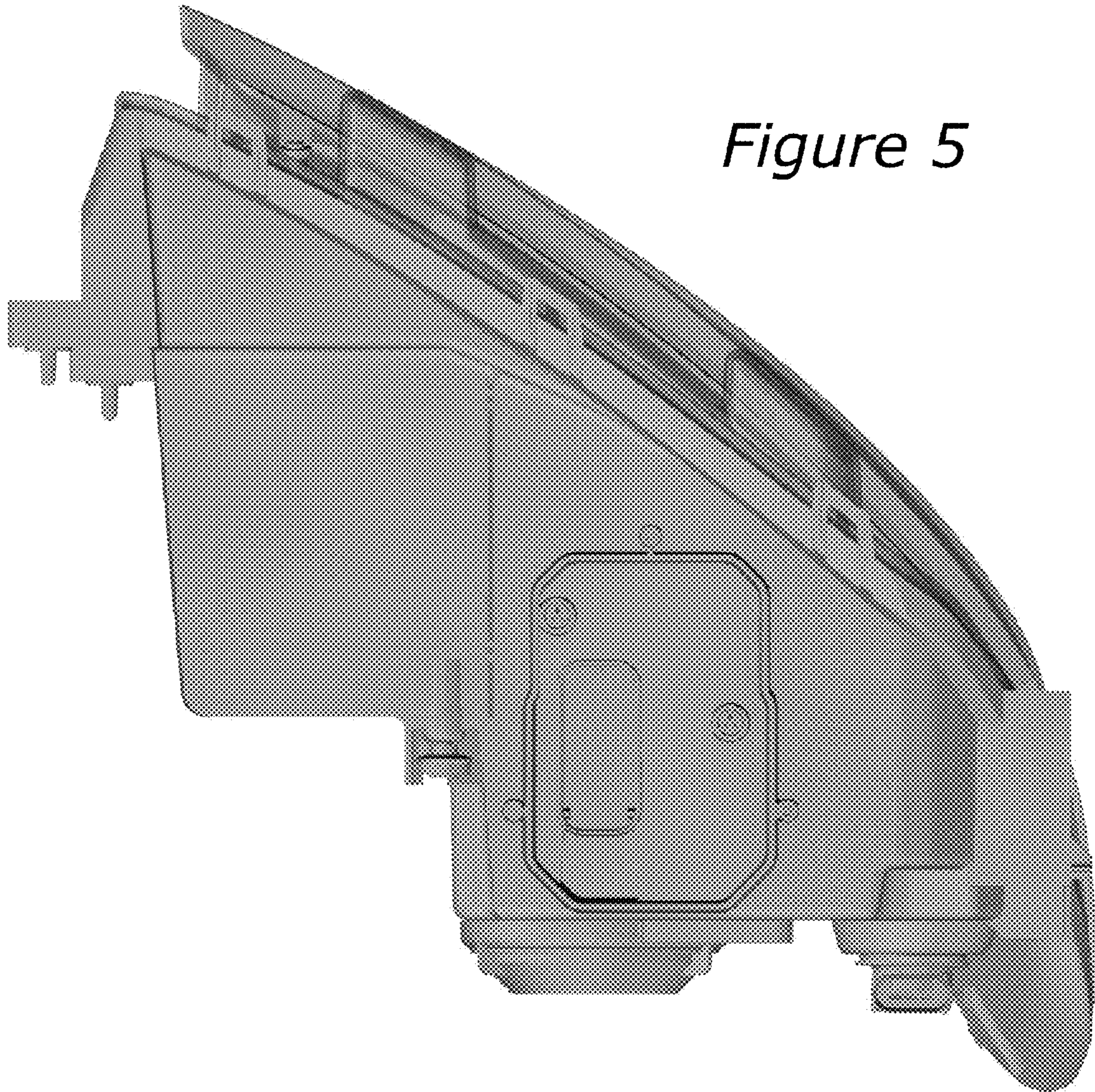


Figure 5