



US00D606215S

(12) **United States Design Patent**  
**May**

(10) **Patent No.:** **US D606,215 S**

(45) **Date of Patent:** **\*\* Dec. 15, 2009**

(54) **MOTORCYCLE DRIVING LIGHTS**

(75) Inventor: **Darron B. May**, Stillwater, MN (US)

(73) Assignee: **Kuryakyn Holdings, Inc.**, Somerset, WI (US)

(\*\*) Term: **14 Years**

(21) Appl. No.: **29/313,558**

(22) Filed: **Jan. 21, 2009**

(51) **LOC (9) Cl.** ..... **26-06**

(52) **U.S. Cl.** ..... **D26/28**

(58) **Field of Classification Search** ..... D26/28-36;  
362/459-468, 475-478, 485-487

See application file for complete search history.

(56) **References Cited**

U.S. PATENT DOCUMENTS

D540,481 S *	4/2007	Okuda	.....	D26/28
D551,786 S *	9/2007	Smith	.....	D26/28
D560,834 S *	1/2008	Nagano	.....	D26/28
D570,508 S *	6/2008	Kouchi	.....	D26/28

OTHER PUBLICATIONS

2006 Harley-Davidson Accessory Catalog, "Customer Auxiliary Lighting Bracket Kit", cover page, p. 495 and five (5) photographs thereof. (7 pages).

\* cited by examiner

*Primary Examiner*—Marcus A. Jackson

(74) *Attorney, Agent, or Firm*—Dicke, Billig & Czaja, PLLC

(57) **CLAIM**

The ornamental design for motorcycle driving lights, as shown and described.

**DESCRIPTION**

FIG. 1 is a front perspective view of the motorcycle driving lights of the present invention.

FIG. 2 is a front elevation view thereof.

FIG. 3 is a rear elevation view thereof.

FIG. 4 is a left side view thereof.

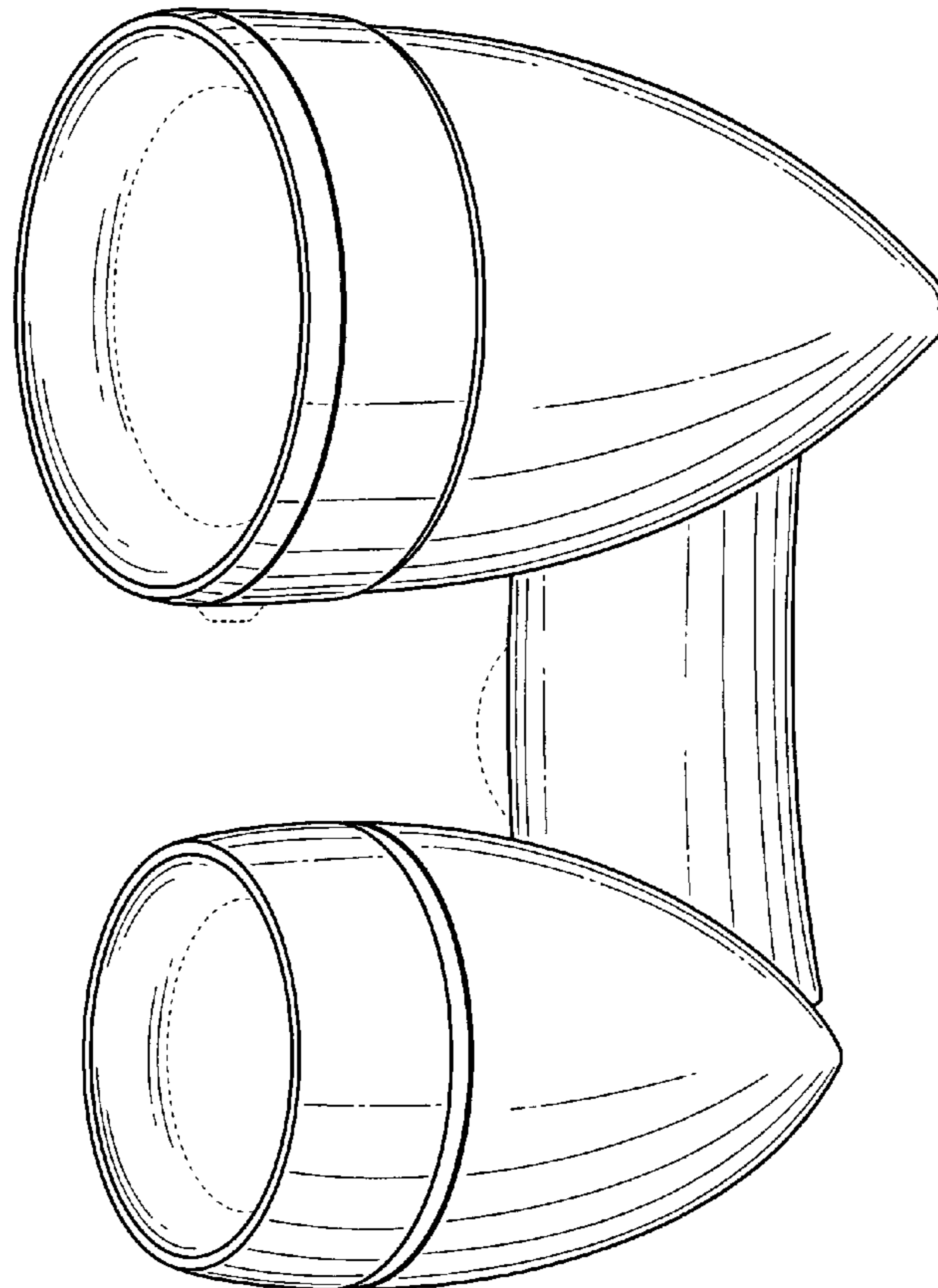
FIG. 5 is a right side view thereof.

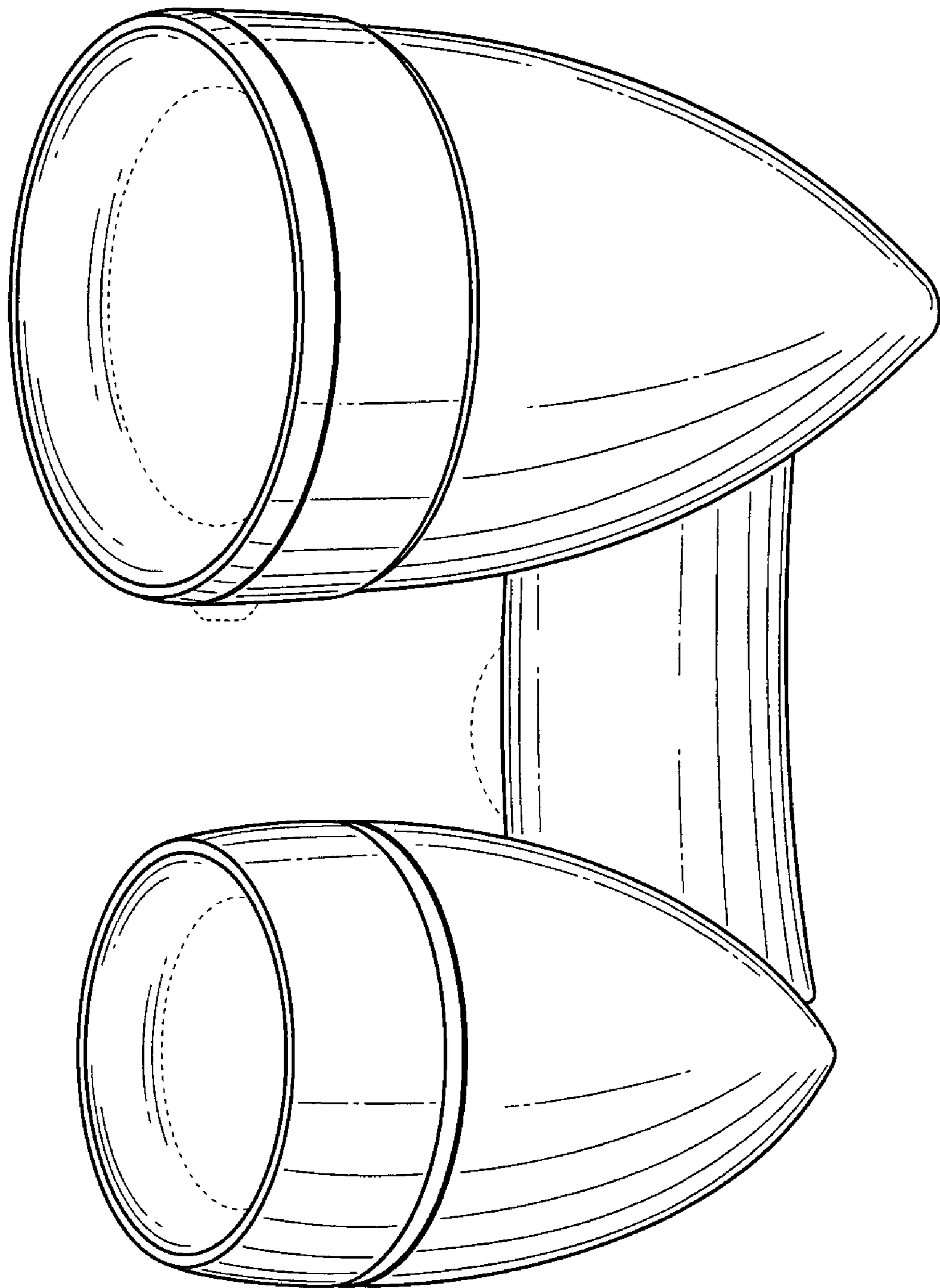
FIG. 6 is a top view thereof; and,

FIG. 7 is a bottom view thereof.

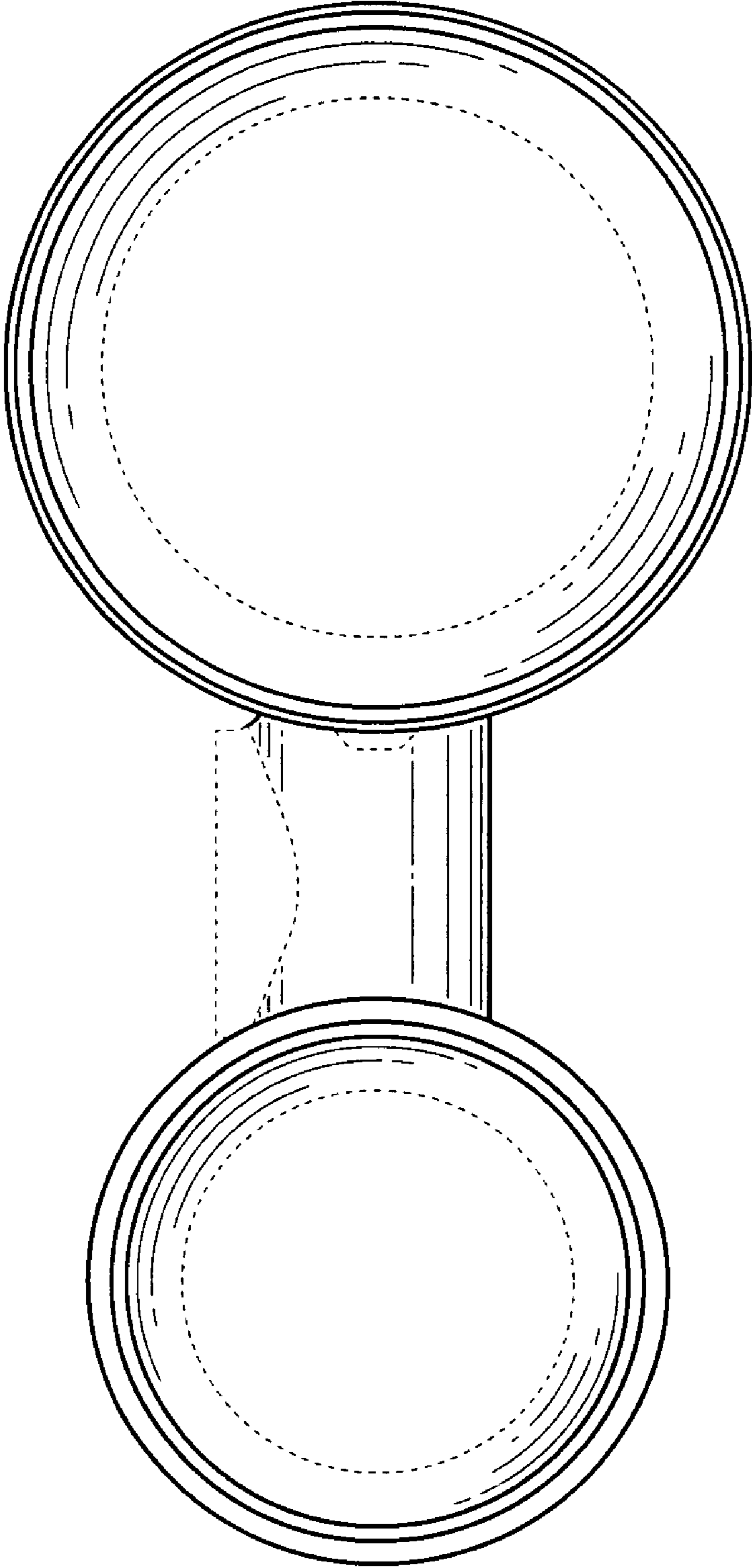
Those portions of the motorcycle driving lights shown in broken lines form no part of the claimed design.

**1 Claim, 7 Drawing Sheets**

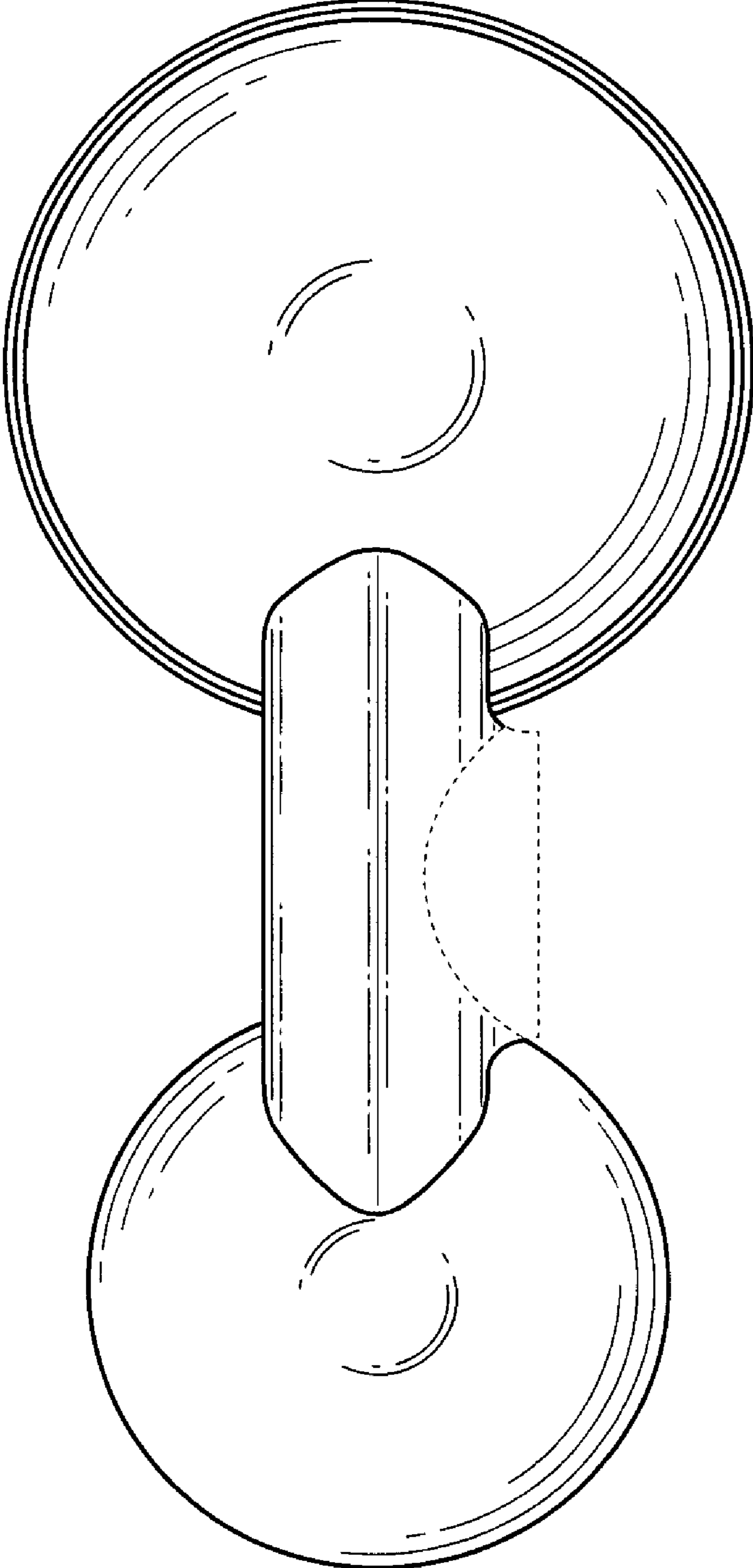




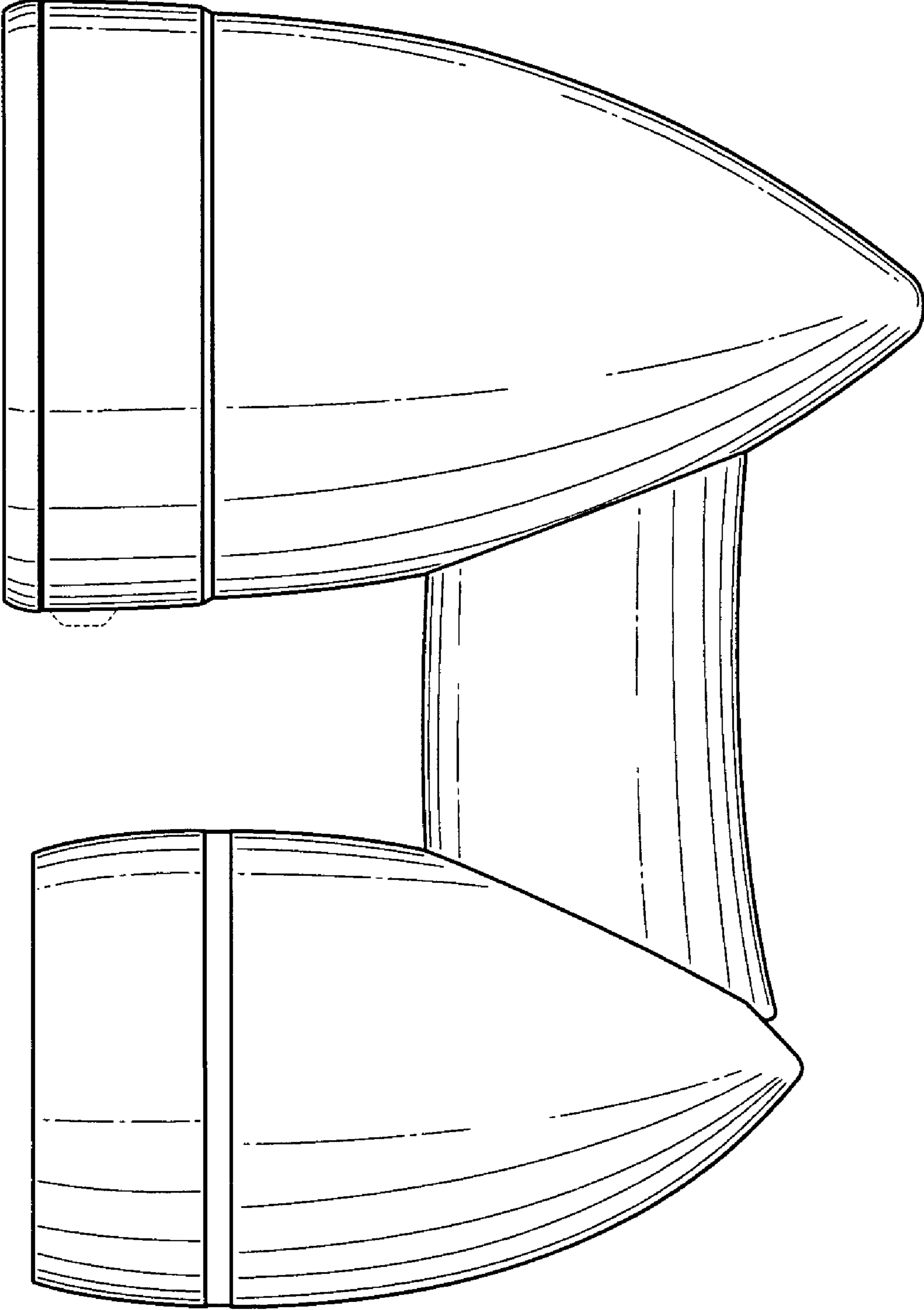
**Fig. 1**



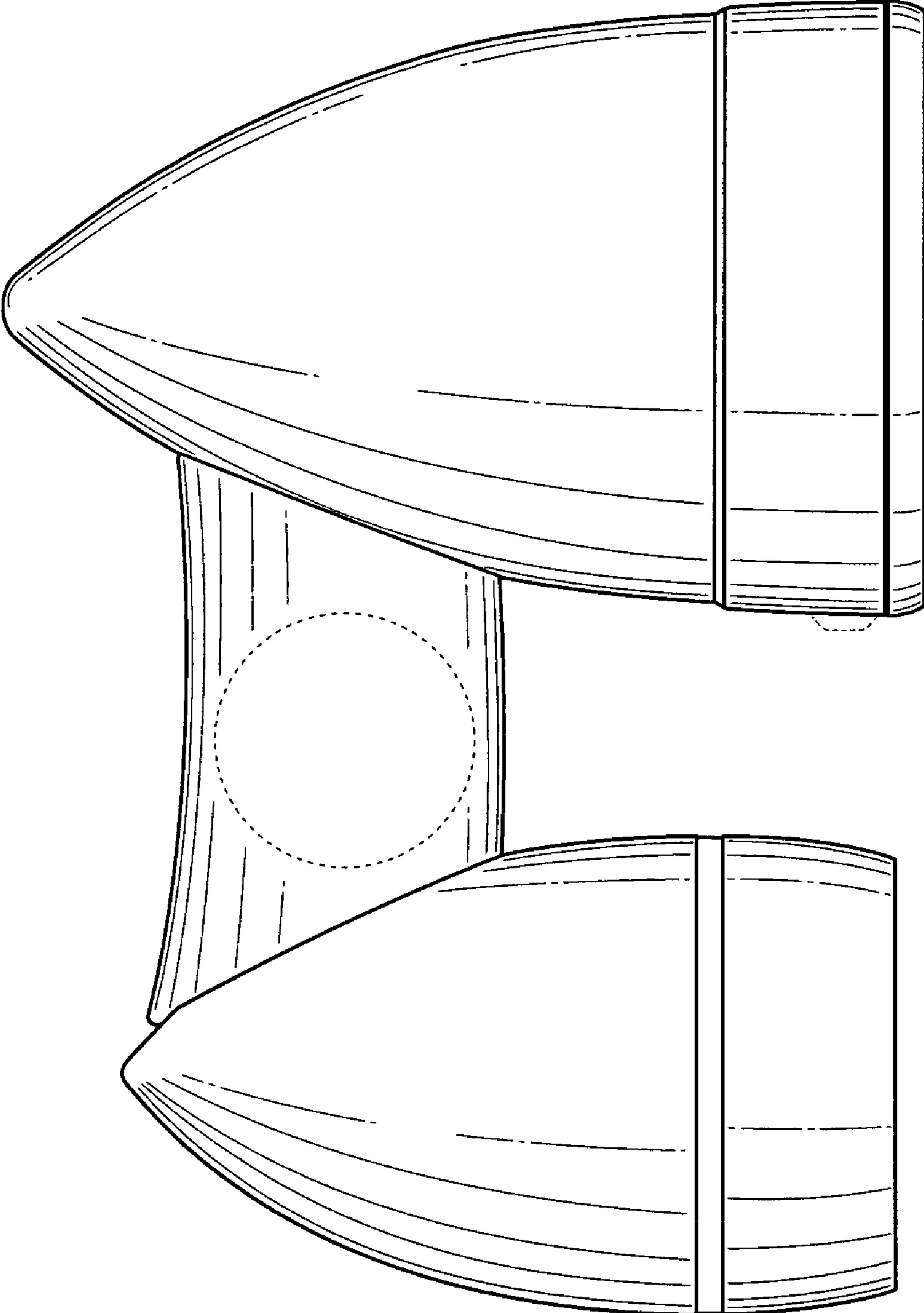
**Fig. 2**



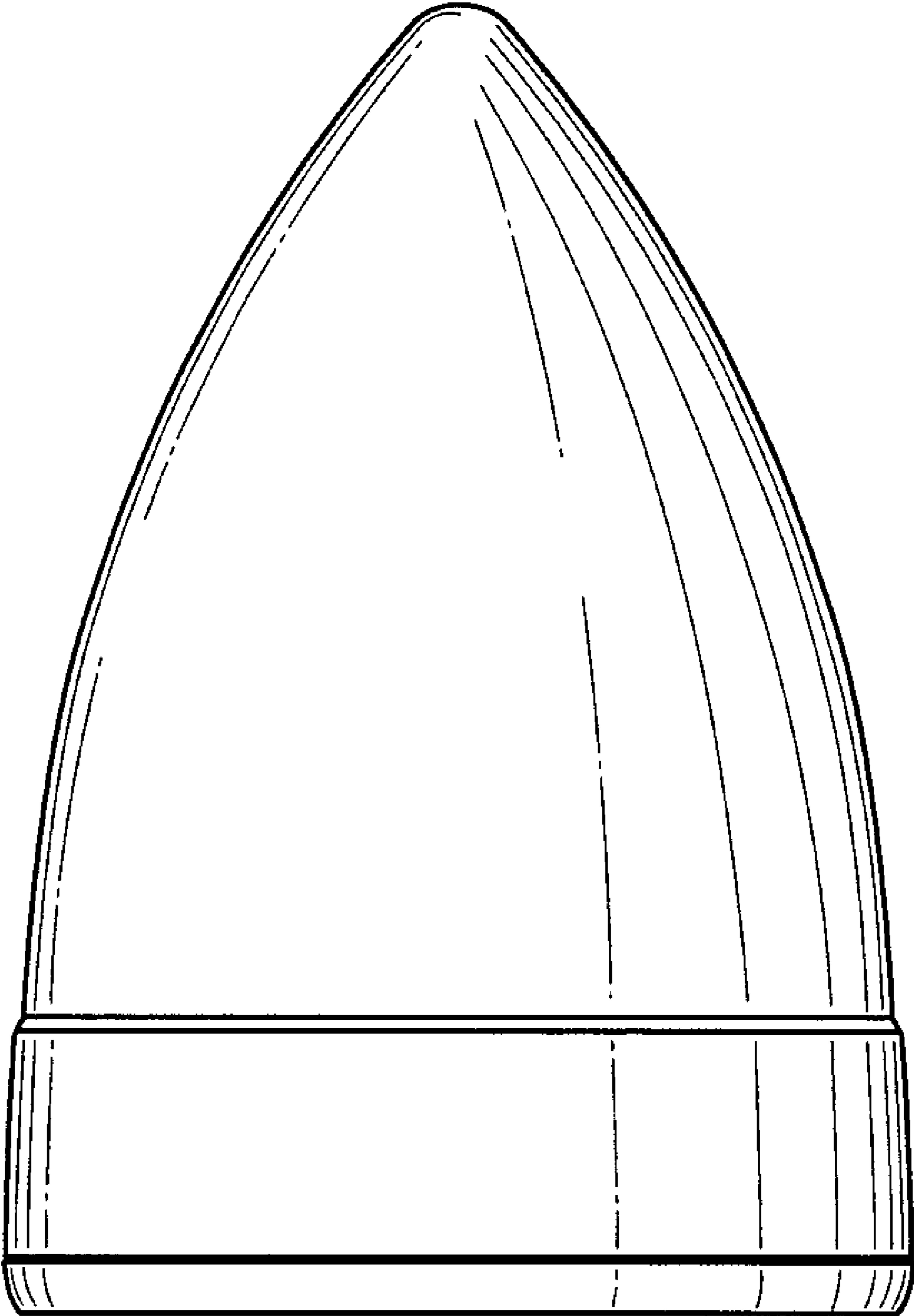
**Fig. 3**



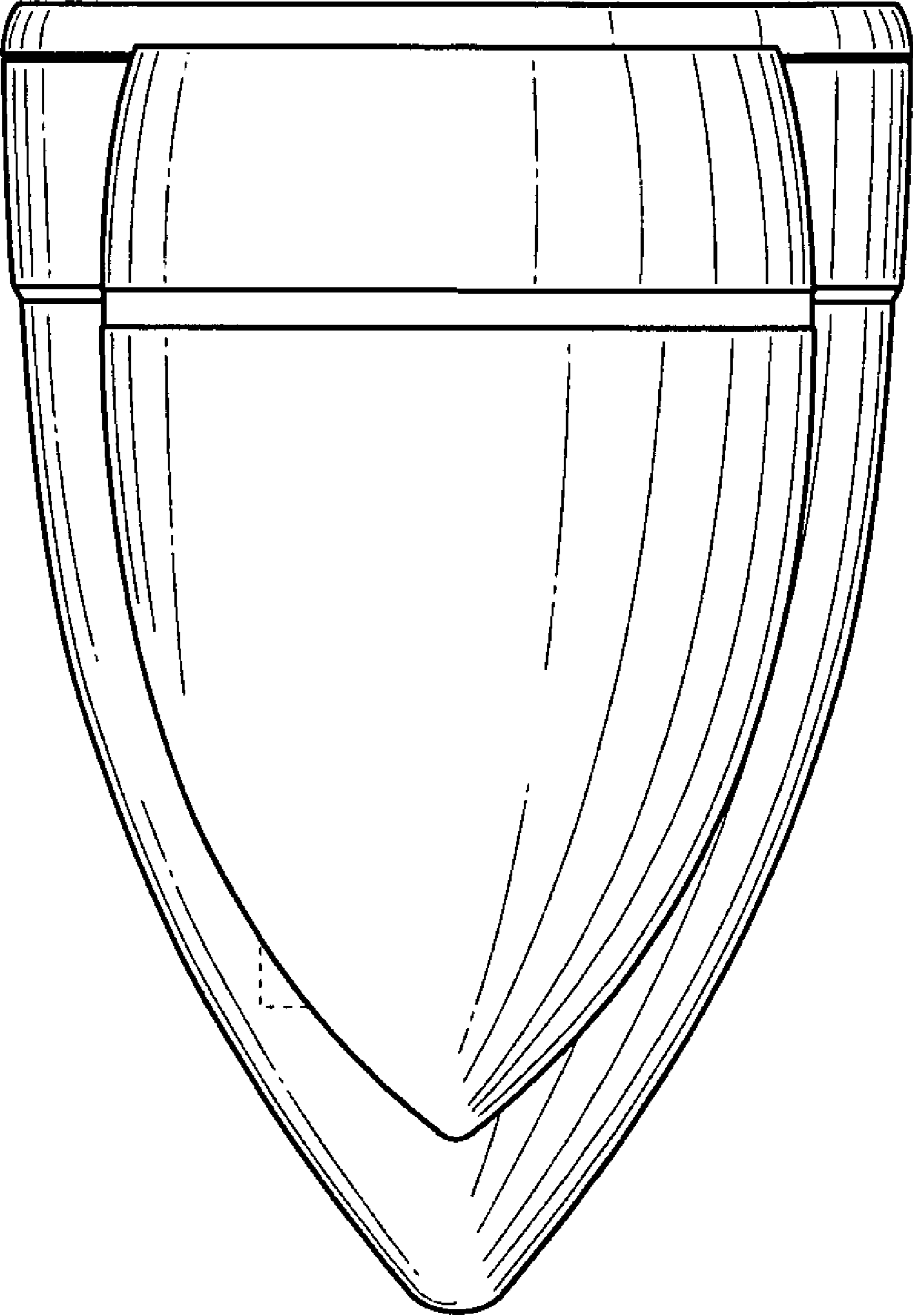
**Fig. 4**



**Fig. 5**



**Fig. 6**



**Fig. 7**