



US00D606213S

(12) **United States Design Patent**
Barbeau et al.

(10) **Patent No.:** **US D606,213 S**

(45) **Date of Patent:** **** Dec. 15, 2009**

(54) **LIGHTING APPARATUS**

(75) Inventors: **Stefane Barbeau**, Roxbury, MA (US);
Duane Smith, Roxbury, MA (US)

(73) Assignee: **Helen of Troy Limited**, St. Michael
(BB)

(**) Term: **14 Years**

(21) Appl. No.: **29/332,983**

(22) Filed: **Feb. 27, 2009**

(51) **LOC (9) Cl.** **26-05**

(52) **U.S. Cl.** **D26/26**

(58) **Field of Classification Search** D26/24,
D26/26, 37, 38, 39, 40, 44, 47, 49, 51, 52,
D26/57, 60, 61, 63, 67, 72, 73, 88, 95, 113,
D26/118, 125, 156, 85, 89, 74; D13/107,
D13/108; D14/432, 435.1, 255, 356; D23/366,
D23/367, 369; 362/217.02, 640, 641, 642,
362/643, 644, 652, 653, 657, 658, 659, 477,
362/88, 89, 98, 103, 104, 105, 109, 157,
362/171, 183, 190, 191, 194, 195, 249.1,
362/249.11, 311.01, 311.04, 311.05, 806,
362/147, 404; D25/26; D21/510, 511

See application file for complete search history.

(56) **References Cited**

U.S. PATENT DOCUMENTS

D171,447 S * 2/1954 Goldman et al. D26/57
3,244,052 A * 4/1966 Stubbmann 84/94.2
D269,468 S * 6/1983 Babcock et al. D30/110
4,601,924 A * 7/1986 Birkes et al. 428/7
4,670,820 A * 6/1987 Eddins et al. 362/86
D295,898 S * 5/1988 Rupp D25/22

D368,537 S * 4/1996 Fang D26/26
D396,254 S * 7/1998 Nielsen D21/506
D397,812 S * 9/1998 Schifrin D26/26
D421,157 S * 2/2000 Logan, Jr. D30/110
D432,593 S * 10/2000 Naughton D21/511
D477,434 S * 7/2003 Ohai D26/73
2006/0164823 A1* 7/2006 Jao 362/101

* cited by examiner

Primary Examiner—Jennifer Rivard

Assistant Examiner—Angela J Lee

(74) *Attorney, Agent, or Firm*—Seyfarth Shaw LLP

(57) **CLAIM**

The ornamental design for a lighting apparatus, as shown and described.

DESCRIPTION

FIG. 1 is a perspective view of a first embodiment of a lighting apparatus of our new design;

FIG. 2 is a top plan view of the embodiment of FIG. 1 thereof;

FIG. 3 is a front side elevational view of the embodiment of FIG. 1 thereof;

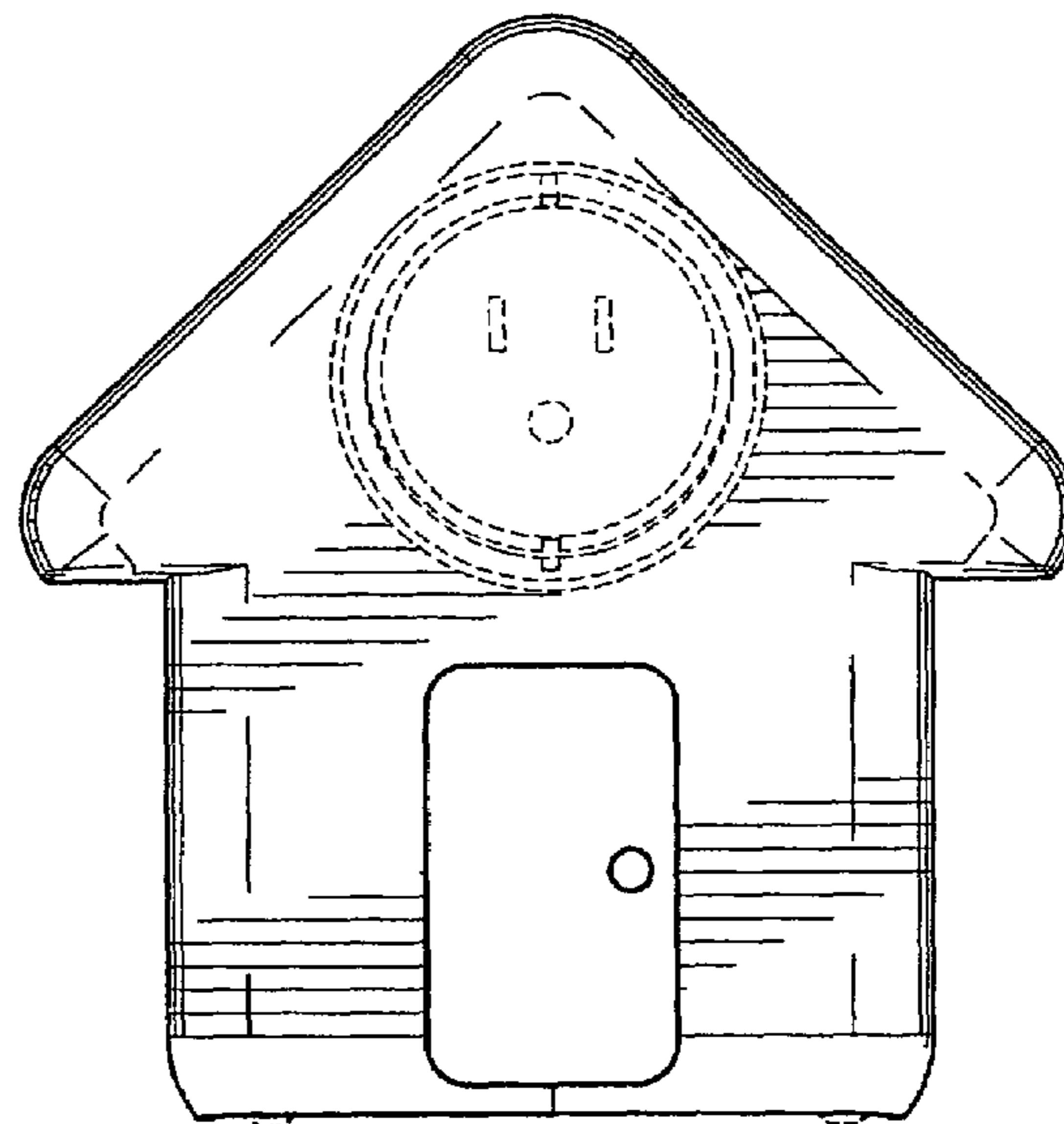
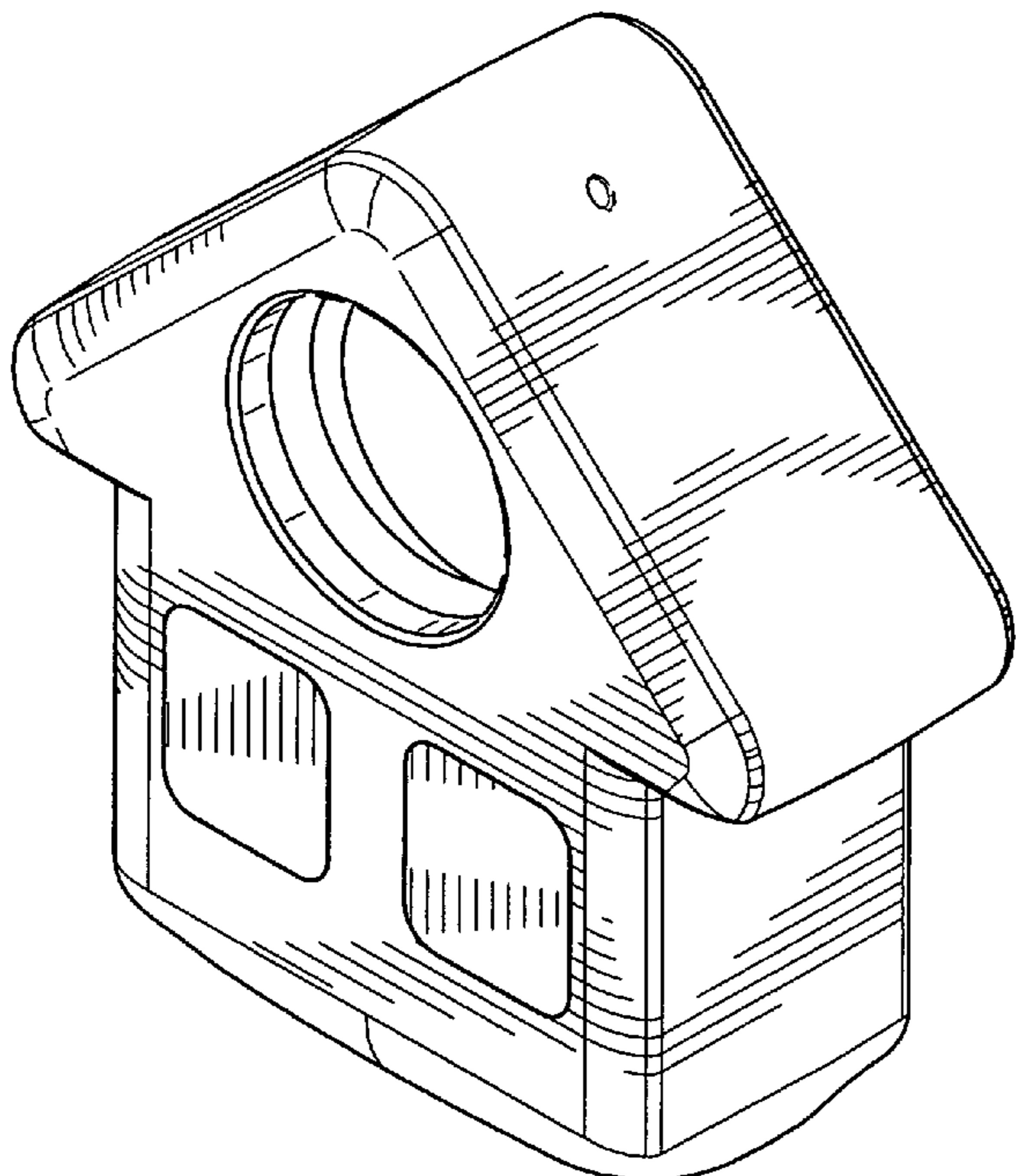
FIG. 4 is a back side elevational view of the embodiment of FIG. 1 thereof;

FIG. 5 is a bottom plan view of the embodiment of FIG. 1 thereof; and,

FIG. 6 is a left side elevational view of the embodiment of FIG. 1 thereof, the right side elevational view being a mirror image thereof.

The broken lines of the Figures are for the purpose of illustrating portions of the lighting apparatus and form no part of the claimed design.

1 Claim, 4 Drawing Sheets



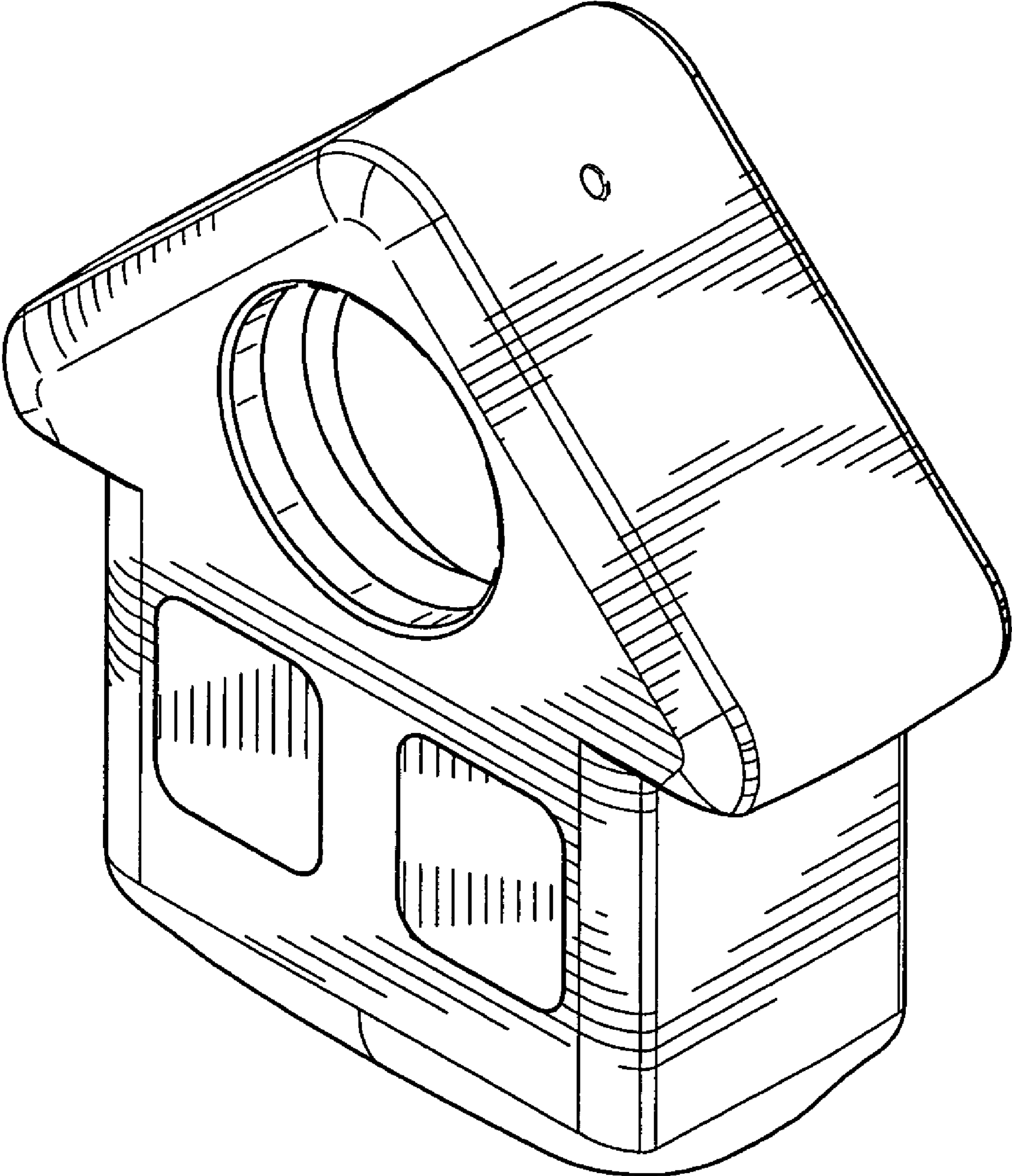


FIG. 1

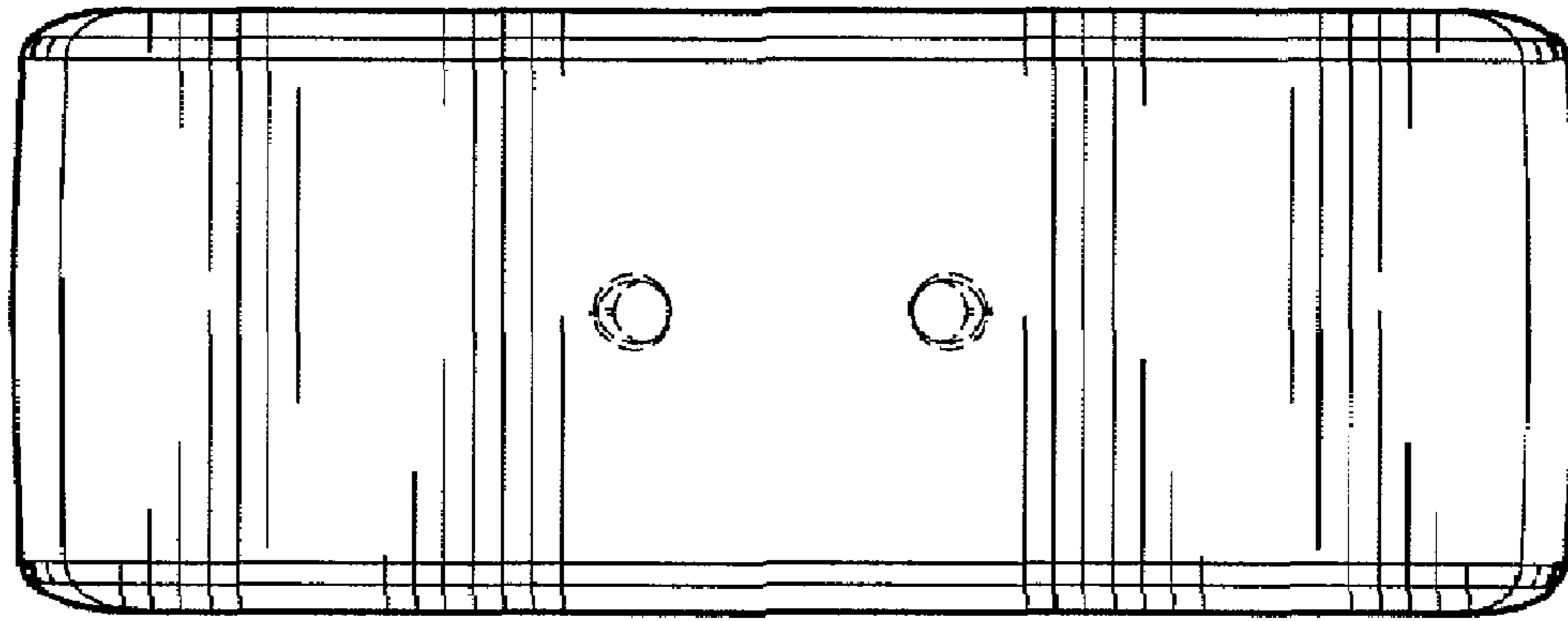


FIG. 2

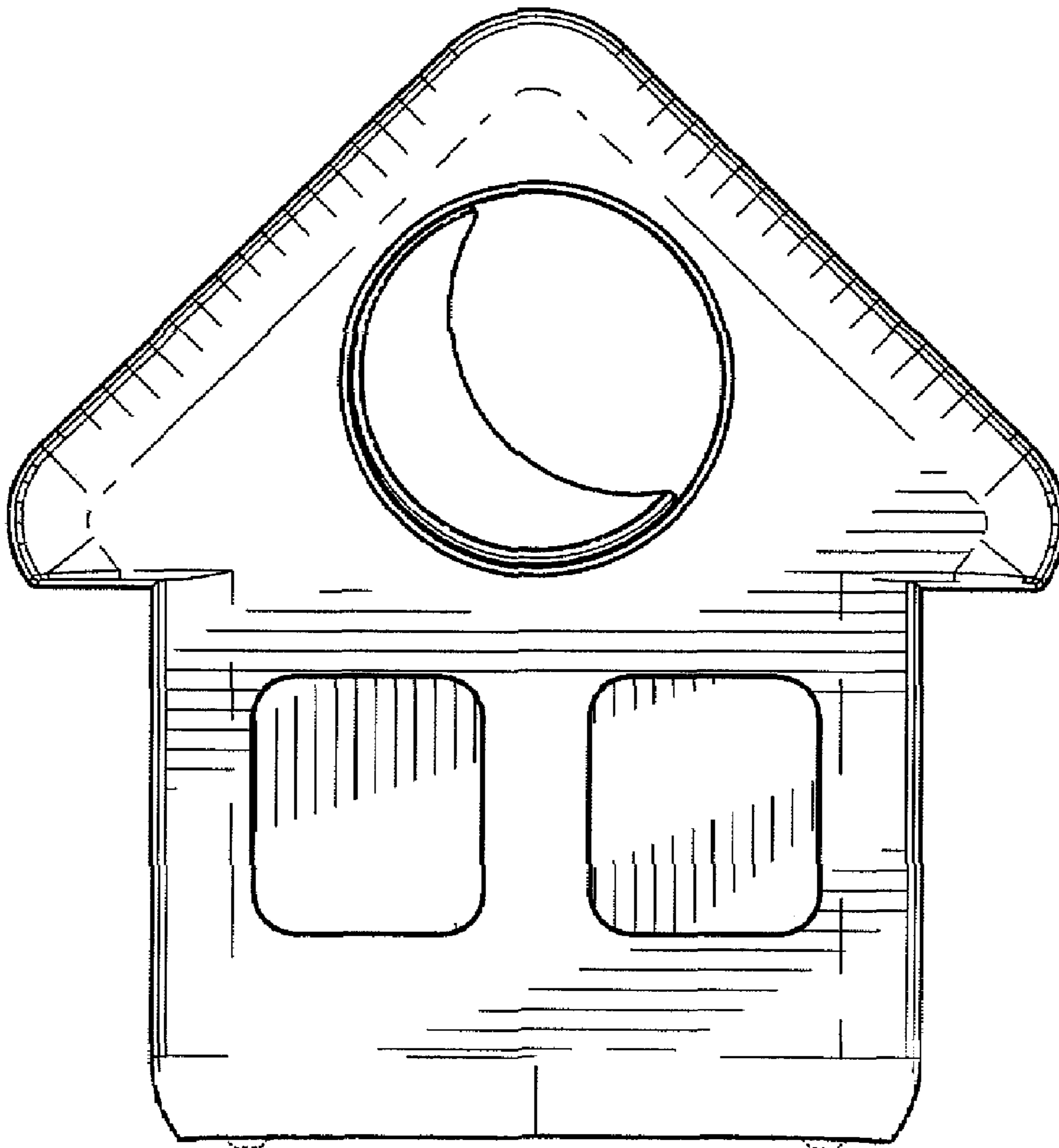


FIG. 3

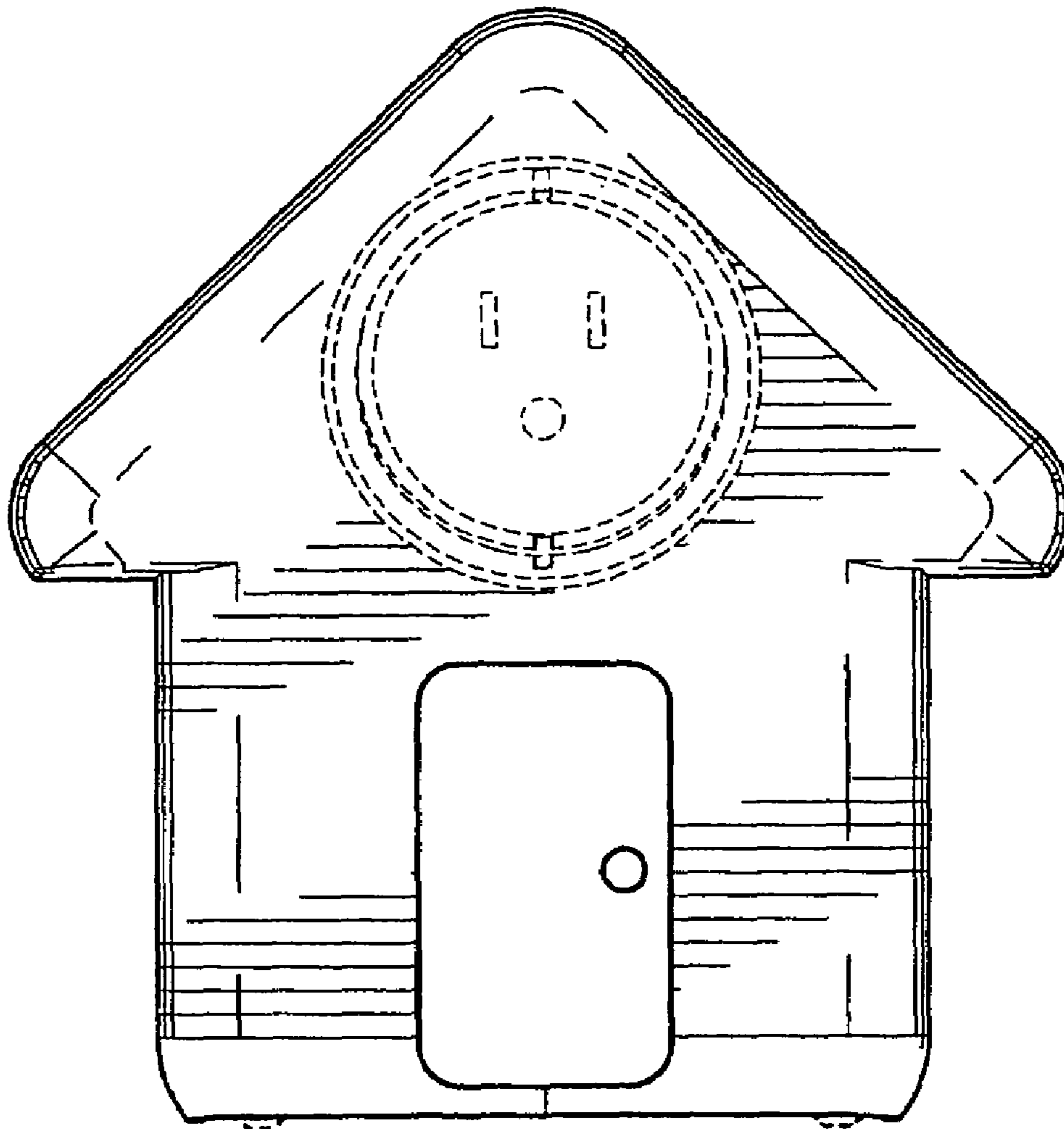


FIG. 4

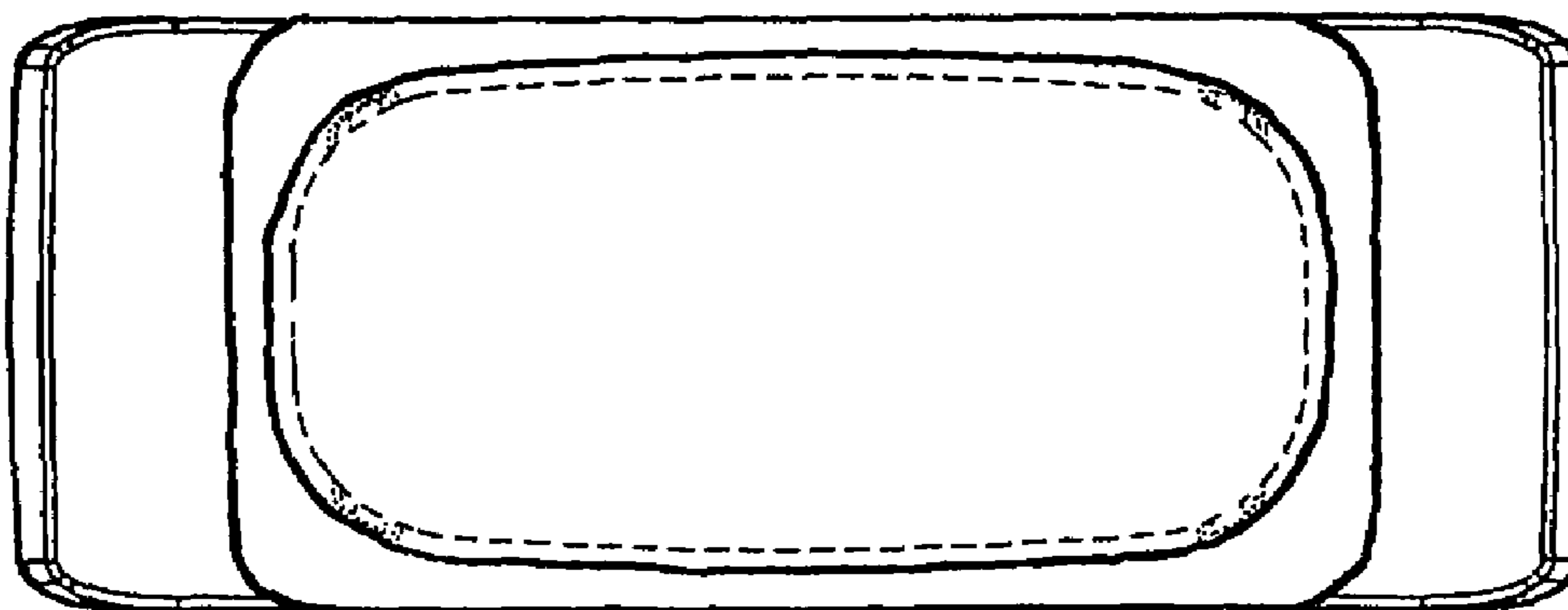


FIG. 5

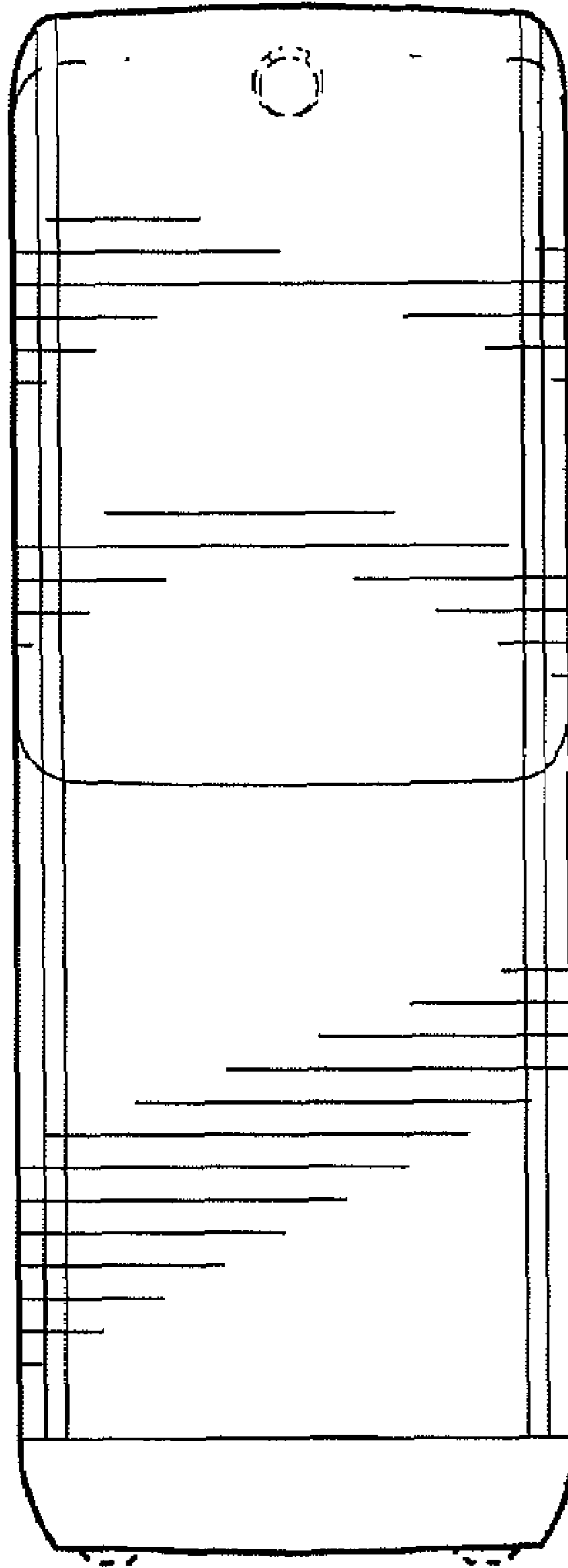


FIG. 6