

US00D606211S

(12) **United States Design Patent**  
**Frobosilo**

(10) **Patent No.:** **US D606,211 S**

(45) **Date of Patent:** **\*\* Dec. 15, 2009**

(54) **METAL STUD**

D443,368 S \* 6/2001 Eaton ..... D25/121  
6,374,558 B1 \* 4/2002 Surowiecki ..... 52/241  
D479,007 S \* 8/2003 Biro ..... D25/125

(76) Inventor: **Raymond C. Frobosilo**, 2960  
Woodbirdge Ave., Edison, NJ (US)  
08837

\* cited by examiner

(\*\*) Term: **14 Years**

*Primary Examiner*—Doris Clark  
(74) *Attorney, Agent, or Firm*—Notaro & Michalos P.C.

(21) Appl. No.: **29/334,865**

(57) **CLAIM**

(22) Filed: **Apr. 3, 2009**

The ornamental design for a metal stud, as shown and described.

(51) **LOC (9) Cl.** ..... **25-01**

(52) **U.S. Cl.** ..... **D25/125; D25/121**

(58) **Field of Classification Search** ..... D25/121,  
D25/125; 52/93.1, 459, 461, 465, 481.1,  
52/731.5, 733.2, 344

**DESCRIPTION**

See application file for complete search history.

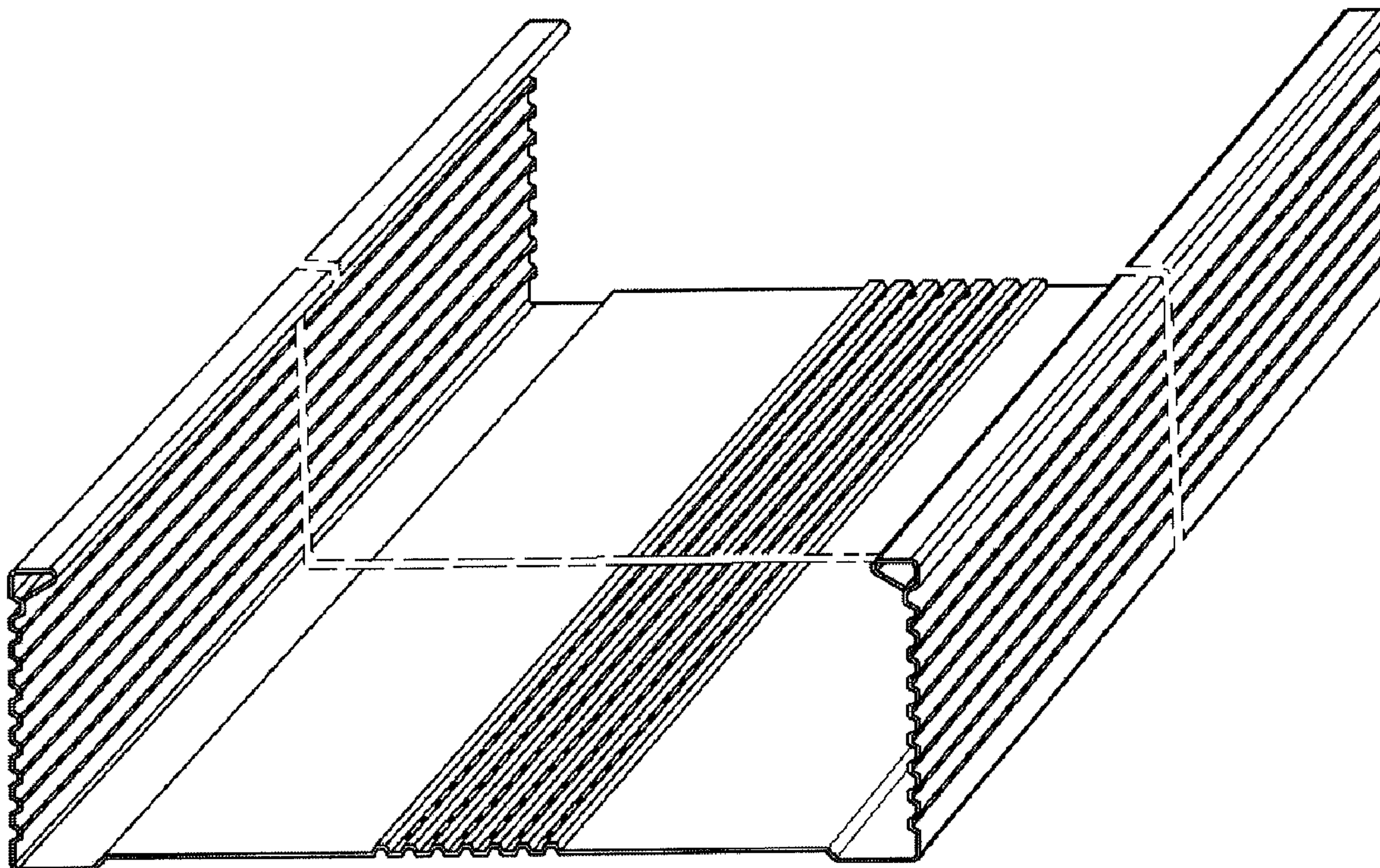
FIG. 1 is a perspective view of a metal stud showing my new design which is of indeterminate length;  
FIG. 2 is a side elevational view thereof;  
FIG. 3 is a top plan view thereof, the bottom being identical;  
FIG. 4 is a opposite side elevational view thereof; and,  
FIG. 5 is a front side elevational view thereof, the rear view being identical.

(56) **References Cited**

**U.S. PATENT DOCUMENTS**

3,852,935 A \* 12/1974 Jones ..... 52/481.1  
D421,807 S \* 3/2000 Reid ..... D25/125  
6,115,986 A \* 9/2000 Kelly ..... 52/481.1  
6,205,740 B1 \* 3/2001 Ekerholm et al. .... 52/846

**1 Claim, 3 Drawing Sheets**



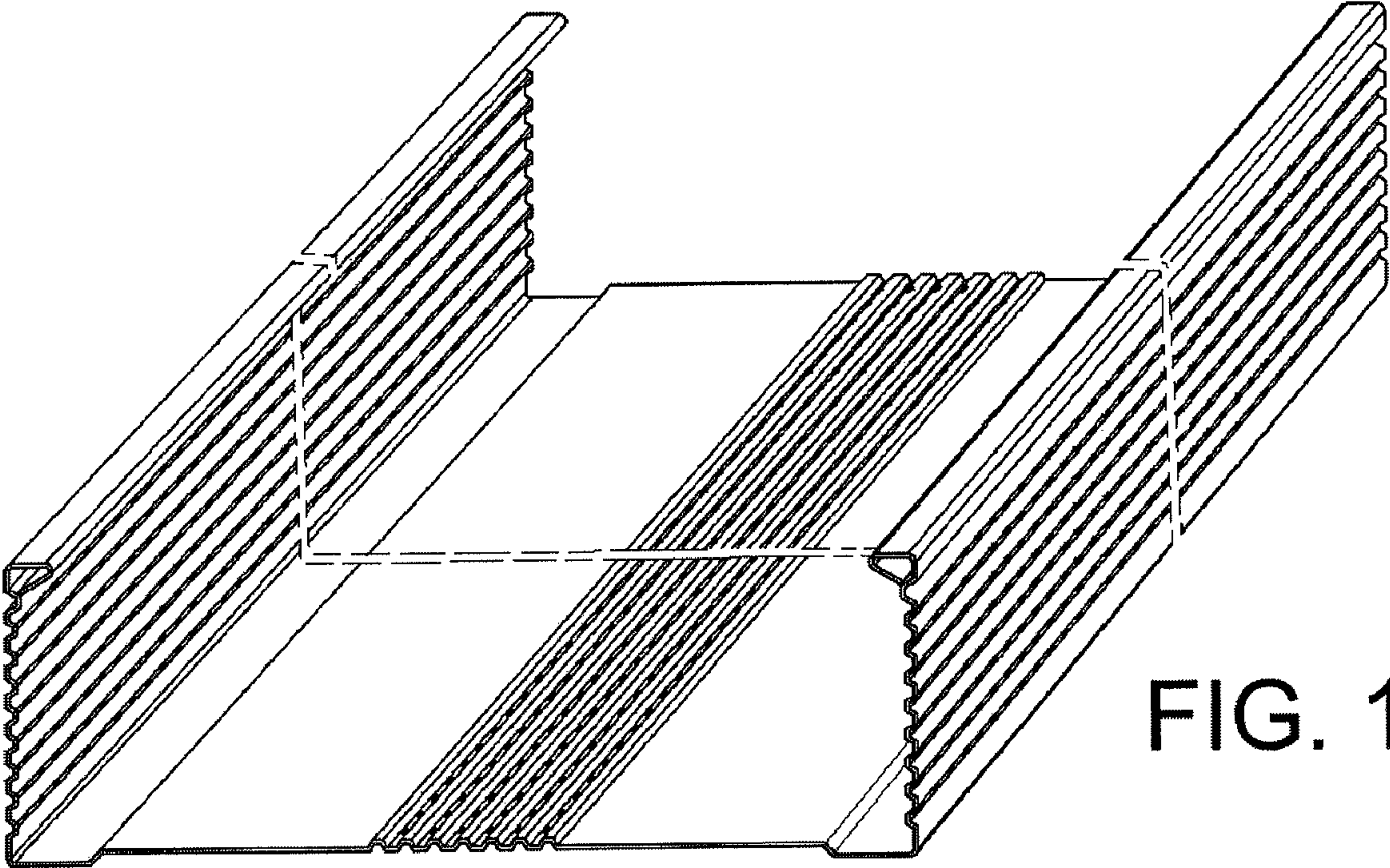


FIG. 1

FIG. 2

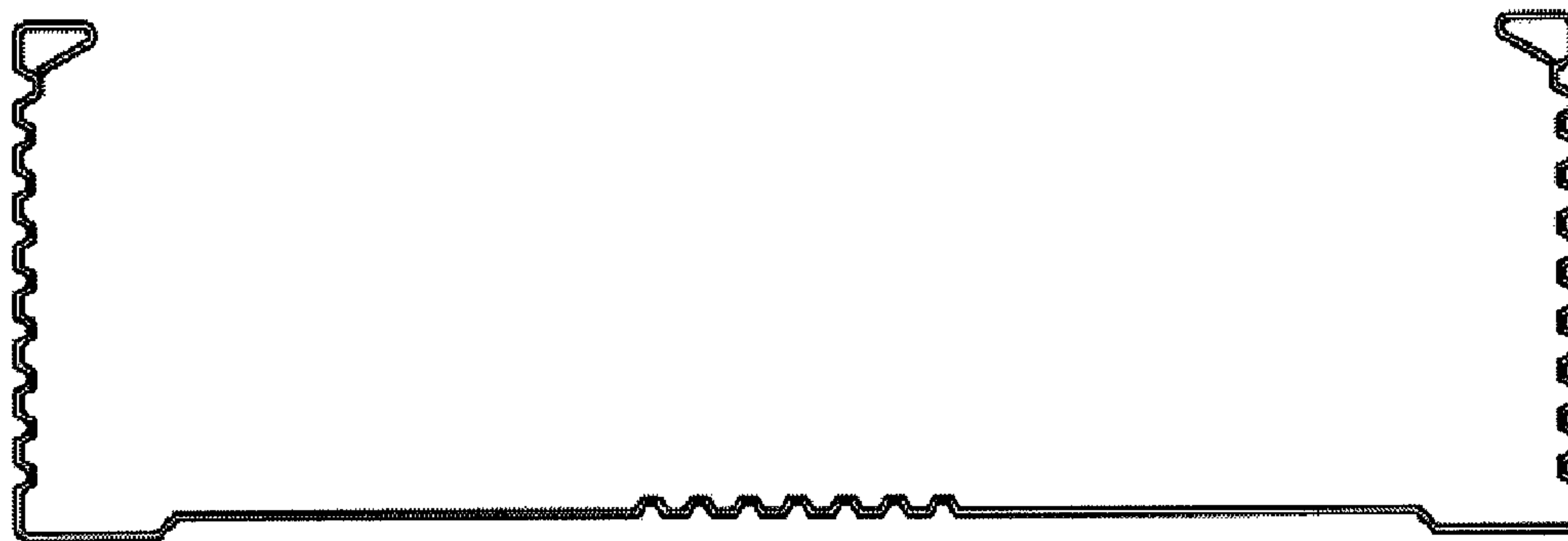
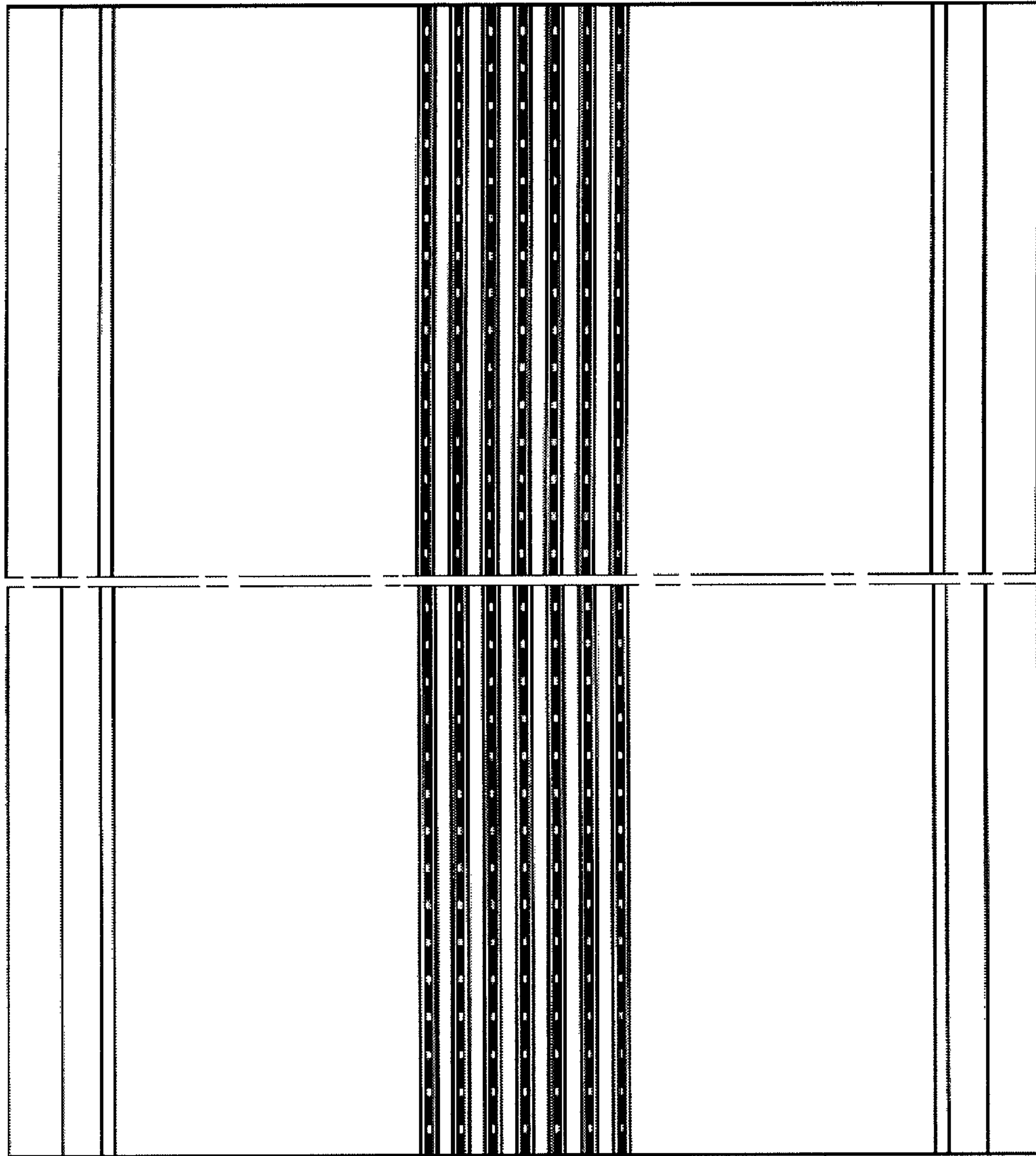


FIG. 3



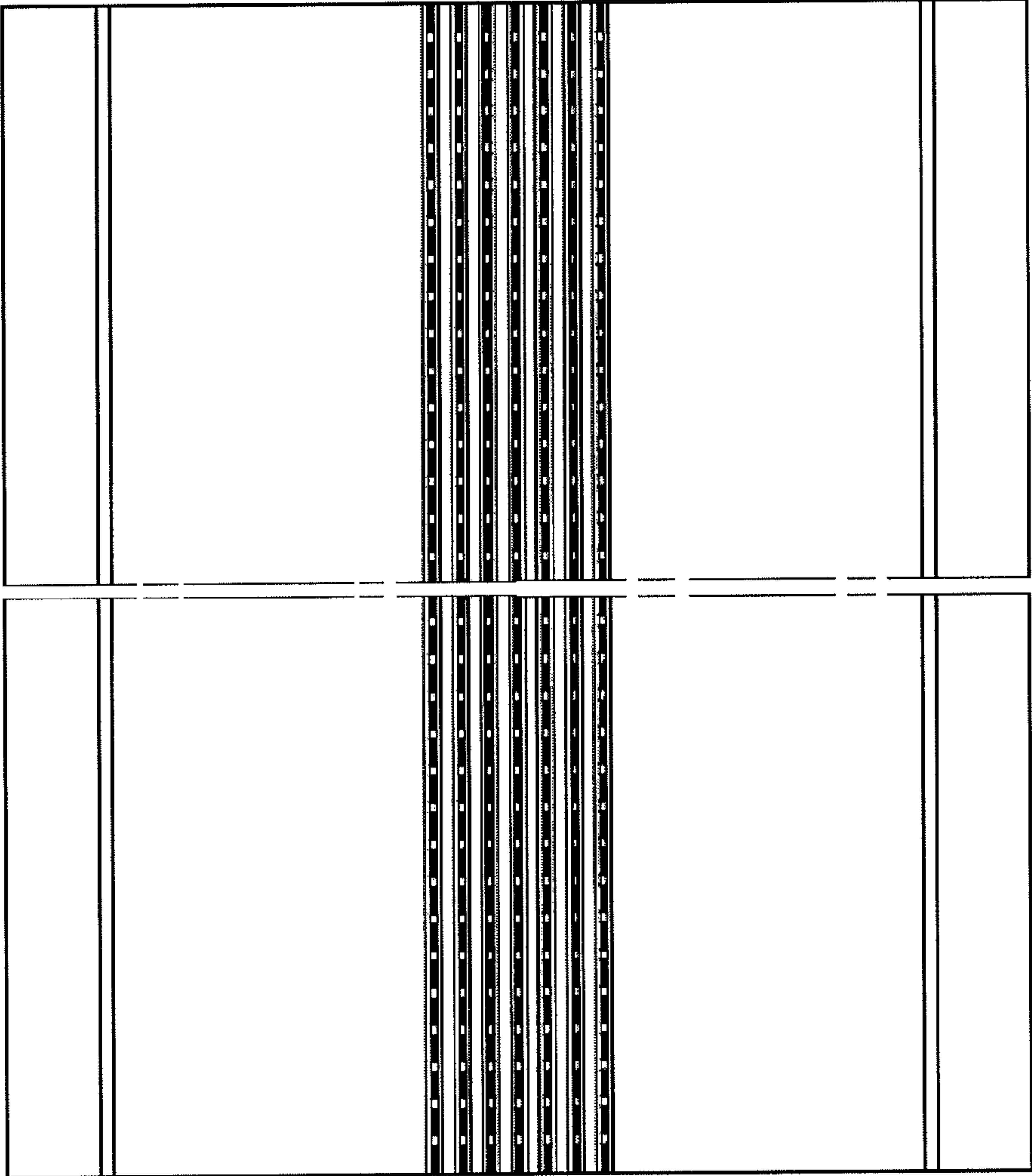


FIG. 4

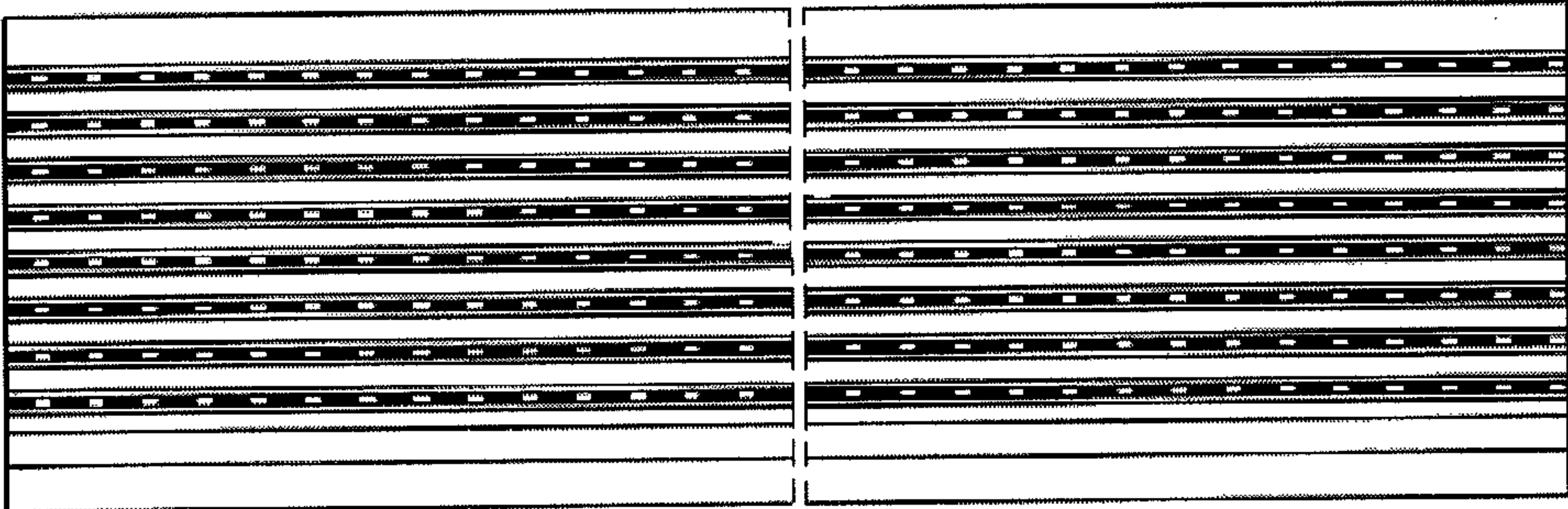


FIG. 5