

US00D606209S

(12) **United States Design Patent**
Kelley

(10) **Patent No.:** **US D606,209 S**

(45) **Date of Patent:** **** Dec. 15, 2009**

(54) **COVER FOR HOUSE SHUTTERS**

6,745,522 B2 6/2004 Germain
D524,452 S * 7/2006 Repp et al. D25/55

(76) Inventor: **David J. Kelley**, 1828 Fiesta Dr.,
Sarasota, FL (US) 34231

* cited by examiner

(**) Term: **14 Years**

Primary Examiner—Doris Clark

(74) *Attorney, Agent, or Firm*—Richard C. Litman

(21) Appl. No.: **29/290,826**

(57) **CLAIM**

(22) Filed: **Jan. 17, 2008**

The ornamental design for a cover for house shutters, as shown and described.

(51) **LOC (9) Cl.** **25-02**

(52) **U.S. Cl.** **D25/55**

(58) **Field of Classification Search** D25/55;
D6/579; 160/19, 23.1, 32, 33, 38

See application file for complete search history.

DESCRIPTION

FIG. 1 is a perspective view of a cover for house shutters showing my new design;

FIG. 2 is a front elevational view thereof;

FIG. 3 is a right side elevational view with the left side being a mirror image thereof;

FIG. 4 is a top view thereof; and,

FIG. 5 is a bottom view thereof.

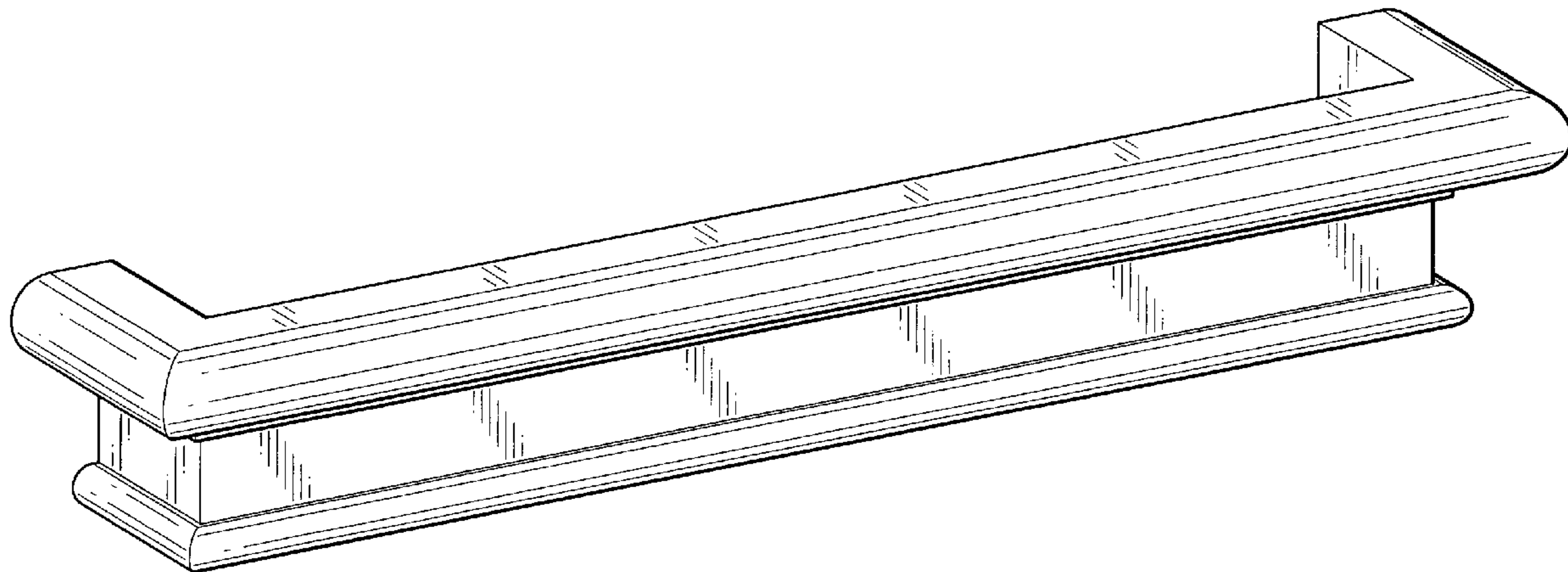
The rear view is plain and unornamented.

(56) **References Cited**

U.S. PATENT DOCUMENTS

- 2,572,036 A * 10/1951 Junkunc 160/19
- D246,116 S 10/1977 Beirle
- 5,042,548 A * 8/1991 Attal 160/38
- D379,729 S * 6/1997 Ohanesian D6/579
- D454,646 S * 3/2002 Bushnell et al. D25/55

1 Claim, 4 Drawing Sheets



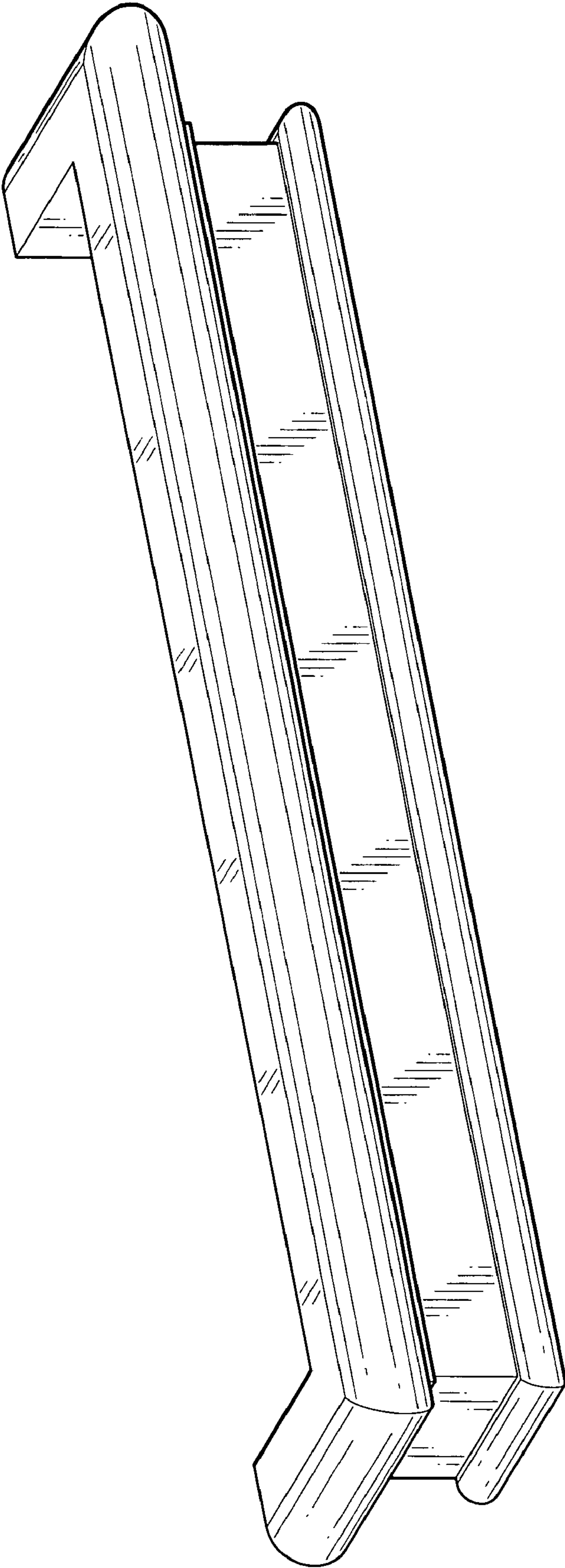


FIG. 1

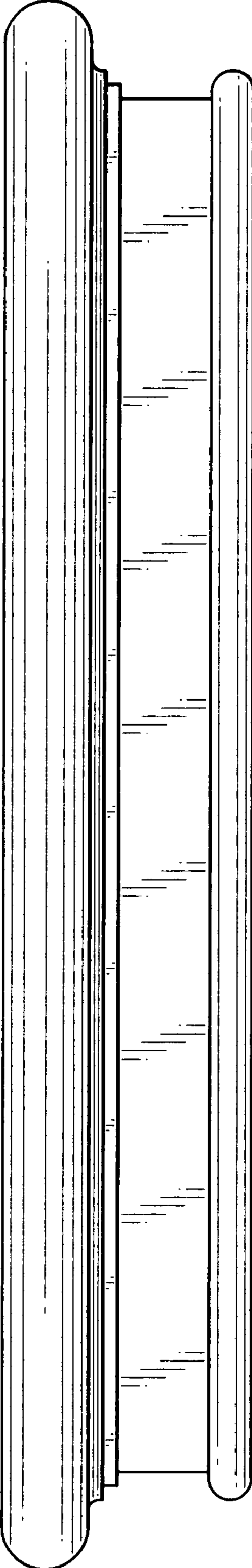


FIG. 2

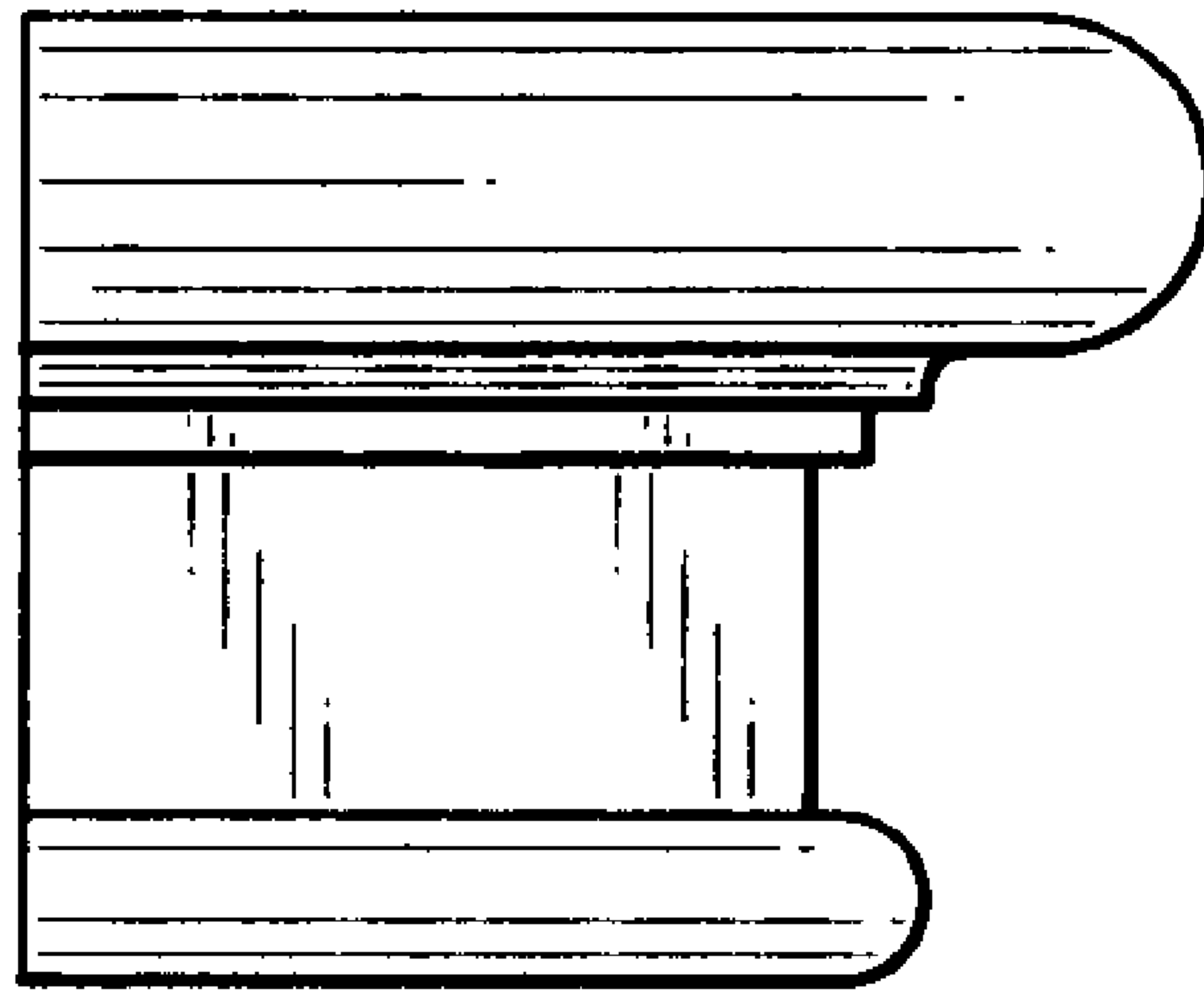


FIG. 3

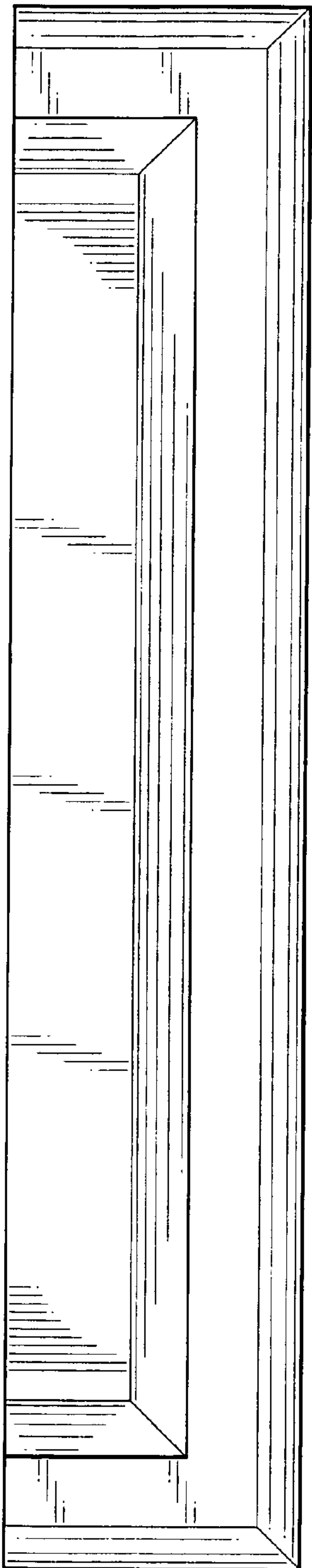


FIG. 4

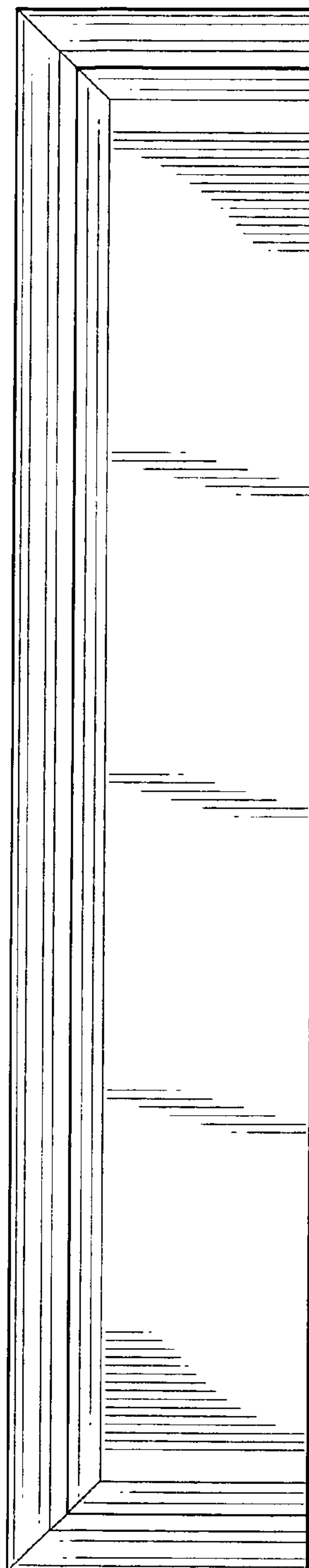


FIG. 5