



US00D606207S

(12) **United States Design Patent**  
**Nan et al.**

(10) **Patent No.:** **US D606,207 S**  
(45) **Date of Patent:** **\*\* Dec. 15, 2009**

(54) **MESSAGE APPARATUS**

(75) Inventors: **Simon Siu Man Nan**, Ontario (CA);  
**Michel Millot**, Ivry sur Seine (FR)

(73) Assignee: **Nanma Manufacturing Co., Ltd.**, Hong  
Kong (HK)

(\*\*) Term: **14 Years**

(21) Appl. No.: **29/336,722**

(22) Filed: **May 7, 2009**

(51) **LOC (9) Cl.** ..... **28-03**

(52) **U.S. Cl.** ..... **D24/215**

(58) **Field of Classification Search** ..... D24/200,  
D24/214, 211, 215; 600/38, 39; 601/46,  
601/101, 87, 84, 80, 70, 67, 78, 85

See application file for complete search history.

(56) **References Cited**

**U.S. PATENT DOCUMENTS**

D346,219	S	*	4/1994	Fardigh	.....	D24/143
D496,333	S	*	9/2004	Nan	.....	D13/103
D536,797	S	*	2/2007	Klearman et al.	.....	D24/215
D546,465	S	*	7/2007	Wu	.....	D24/215
D546,959	S	*	7/2007	Wu	.....	D24/215
D546,960	S	*	7/2007	Wu	.....	D24/215
D548,853	S	*	8/2007	Wu	.....	D24/215
D568,488	S	*	5/2008	Wu	.....	D24/215
D589,156	S	*	3/2009	Wu	.....	D24/215
2006/0069329	A1	*	3/2006	Nan	.....	601/72
2006/0069330	A1	*	3/2006	Nan	.....	601/72

**OTHER PUBLICATIONS**

Johnson Furniture Triple Stimulation Vibrator. <http://di1.shopping.com/images1/pi/40/b1/e6/47553670-100x100-0-0.jpg>. Accessed Jul. 15, 2009.\*

\* cited by examiner

*Primary Examiner*—Cathron C Brooks

*Assistant Examiner*—Melanie Levy

(74) *Attorney, Agent, or Firm*—Polsinelli Shughart PC

(57) **CLAIM**

The ornamental design for a massage apparatus, as shown and described.

**DESCRIPTION**

FIG. 1 is a front perspective view of the massage apparatus, showing our new design.

FIG. 2 is a front elevation view of the massage apparatus of FIG. 1;

FIG. 3 is a rear elevation view of the massage apparatus of FIG. 1,

FIG. 4 is a right side elevation view of the massage apparatus of FIG. 1;

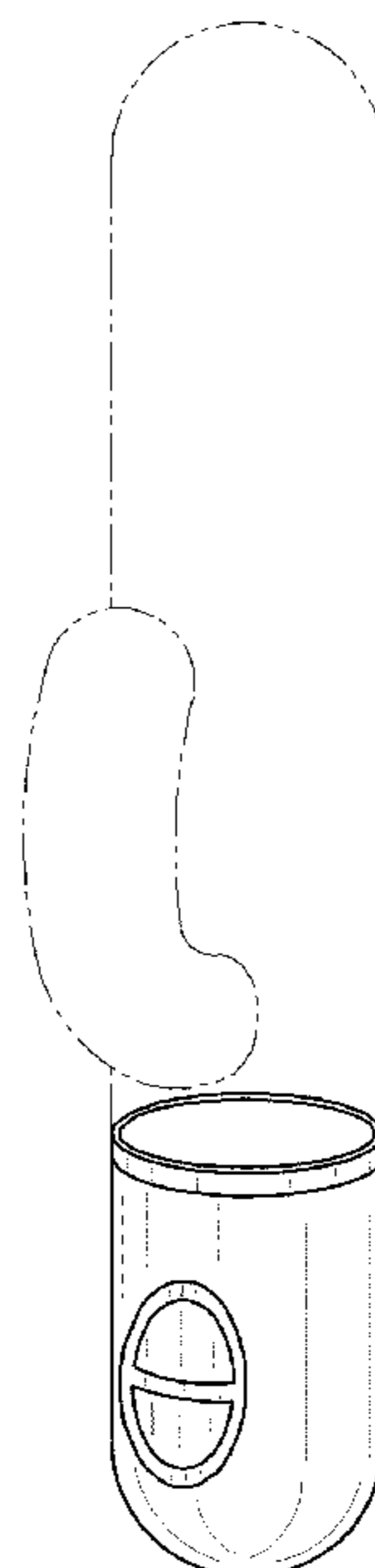
FIG. 5 is a left side elevation view of the massage apparatus of FIG. 1;

FIG. 6 is a top plan view of the massage apparatus of FIG. 1; and,

FIG. 7 is a bottom plan view of the massage apparatus of FIG. 1.

In FIGS. 1–7, the features of the massage apparatus shown in phantom lines are for illustrative purposes only and do not constitute a part of the claimed design.

**1 Claim, 2 Drawing Sheets**



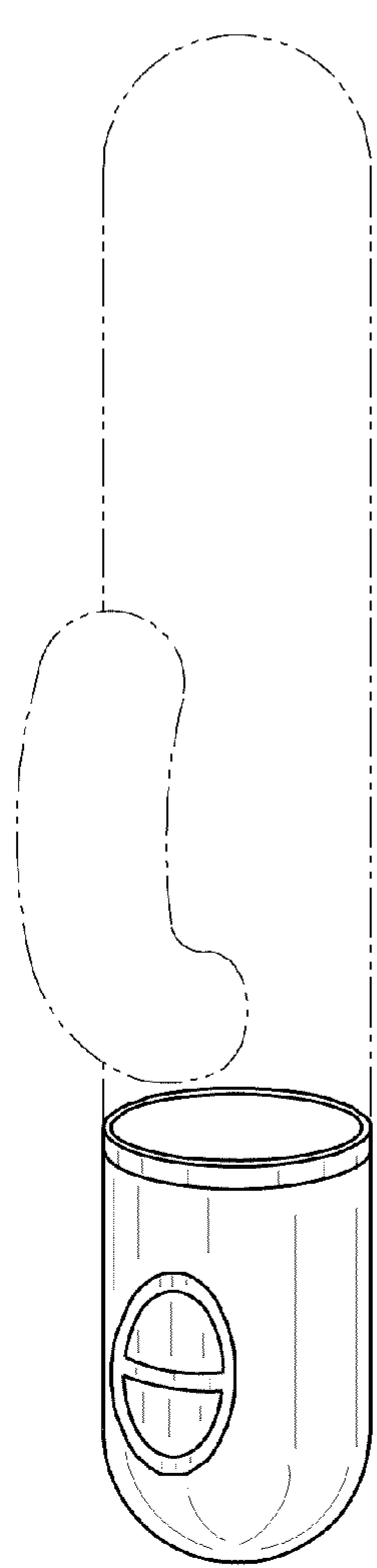


FIG. 1

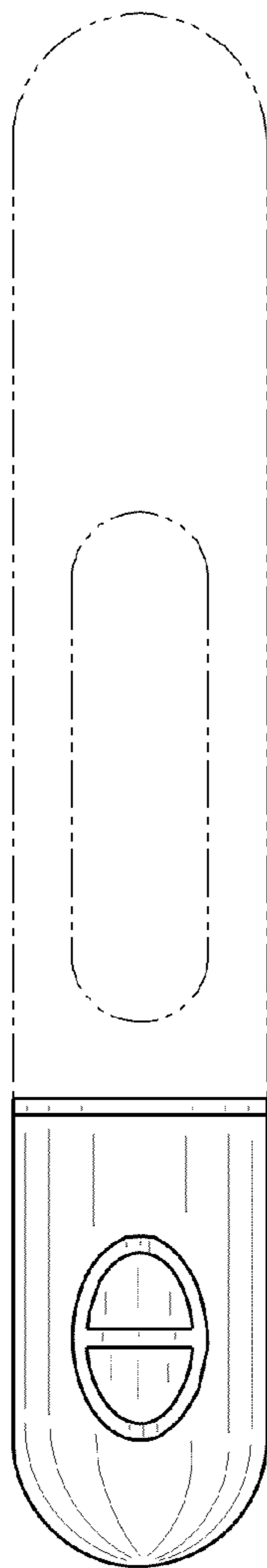


FIG. 2

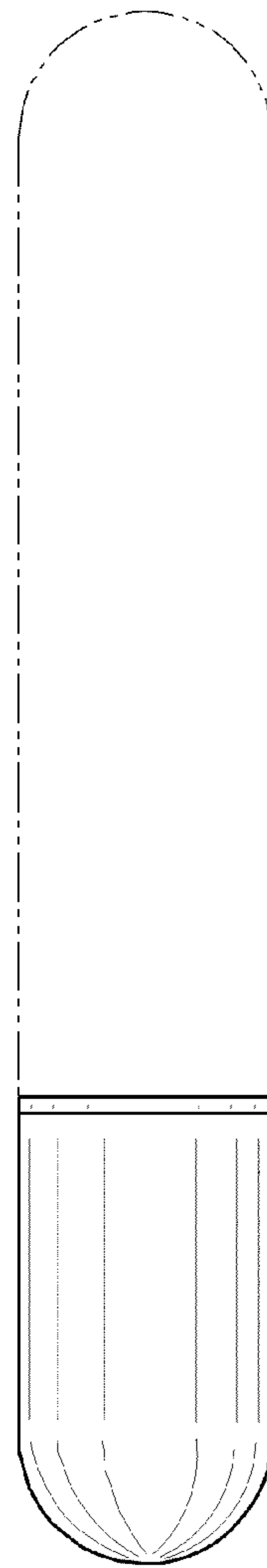


FIG. 3

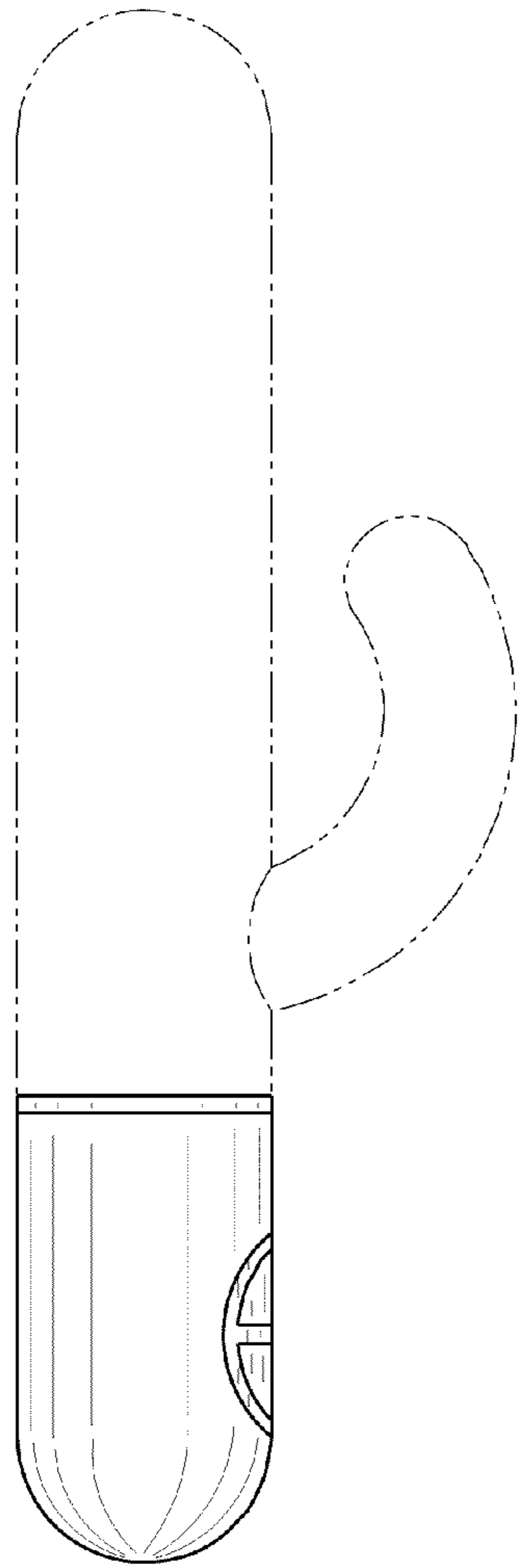


FIG. 4

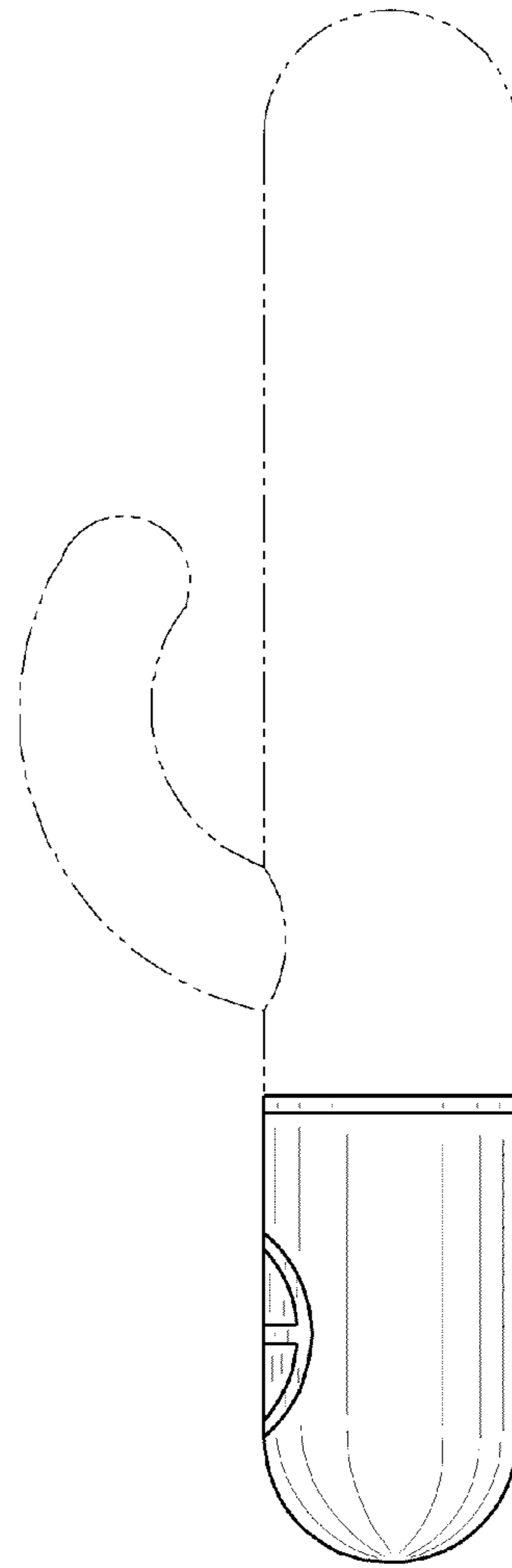


FIG. 5

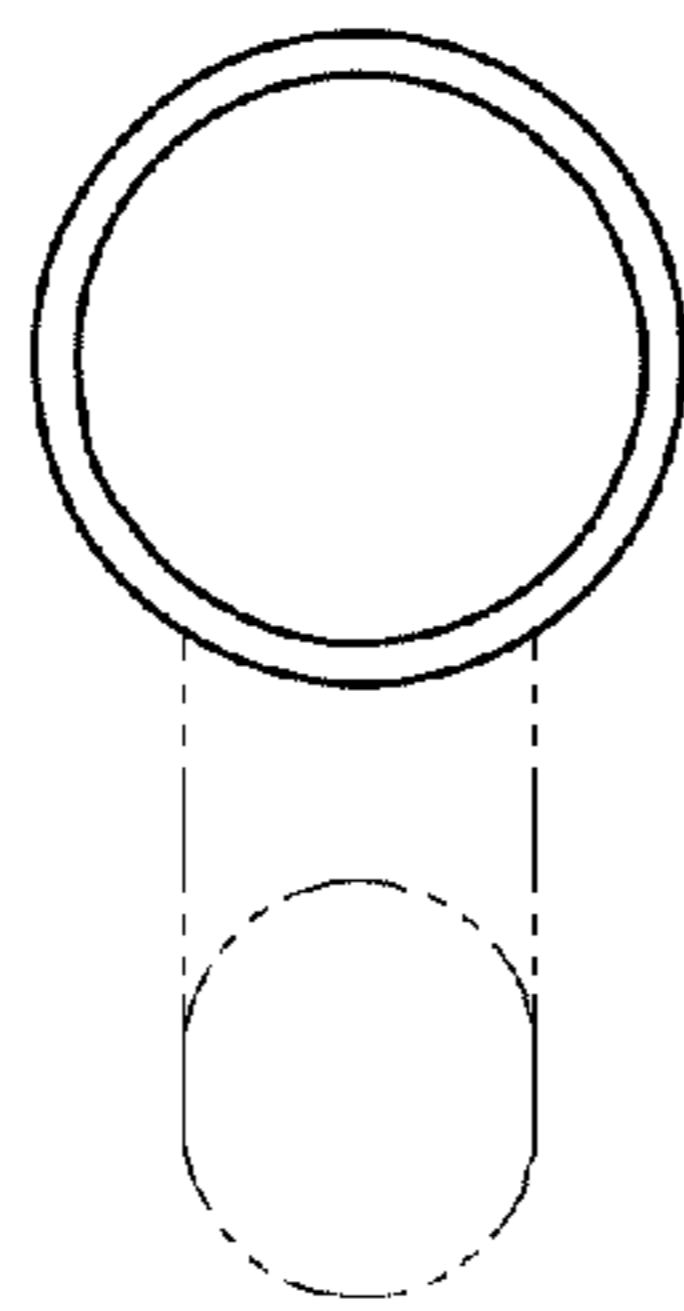


FIG. 6

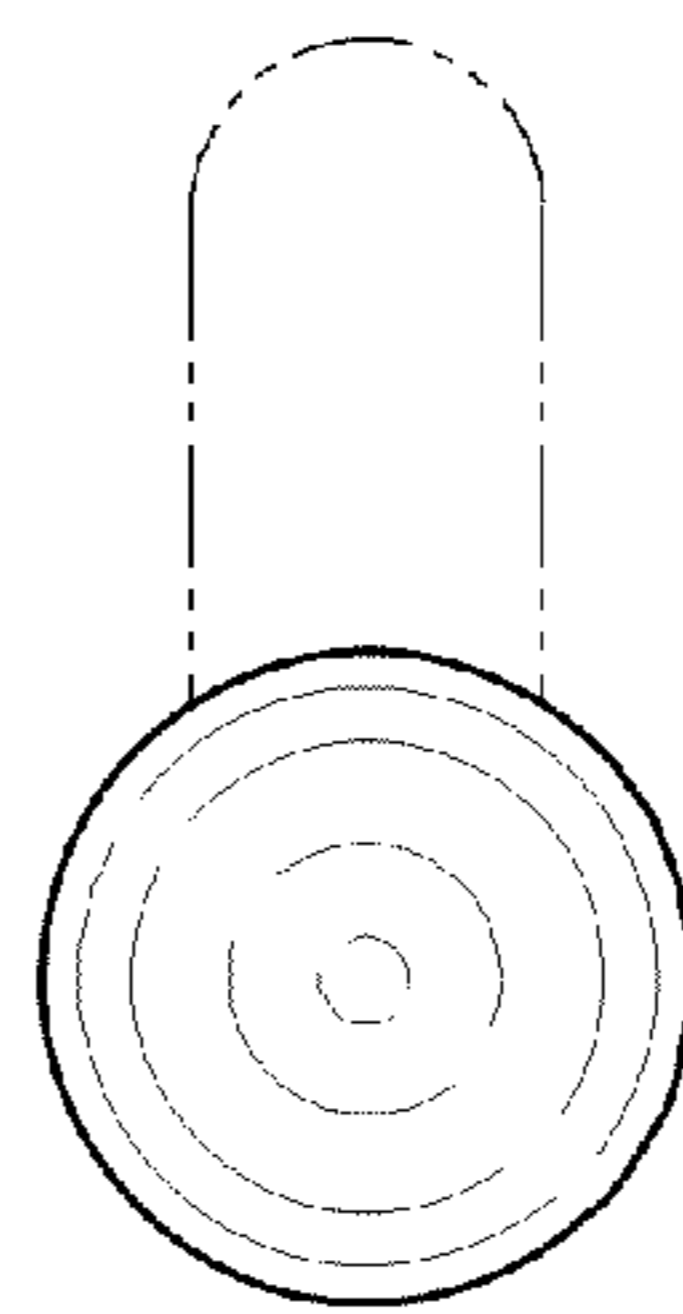


FIG. 7