



US00D606205S

(12) **United States Design Patent**
Truman et al.

(10) **Patent No.:** **US D606,205 S**
(45) **Date of Patent:** **** Dec. 15, 2009**

(54) **HYDROTHERAPY APPARATUS**

FOREIGN PATENT DOCUMENTS

(75) Inventors: **Christopher J. Truman**, Shropshire (GB); **Paul E. Preece**, Shropshire (GB)

DE	10001878	A1	12/2001
DE	20303036	U1	1/2004
EP	0401487		4/1990
GB	2378139		2/2003
JP	7275314		10/1995
JP	10137313		5/1998
WO	WO00/35324		6/2000

(73) Assignee: **Syspal Holdings Ltd.** (GB)

(**) Term: **14 Years**

(21) Appl. No.: **29/270,321**

OTHER PUBLICATIONS

(22) Filed: **Dec. 20, 2006**

http://web.archive.org/web/*sa_http://www.fernovetsystems.com
(six (6) pages).

(30) **Foreign Application Priority Data**

Jun. 20, 2006 (EM) 000547070-0001

* cited by examiner

(51) **LOC (9) Cl.** **24-04**

Primary Examiner—Ian Simmons
Assistant Examiner—Wan Laymon

(52) **U.S. Cl.** **D24/201**

(74) *Attorney, Agent, or Firm*—Boyle Fredrickson, S.C.

(58) **Field of Classification Search** D24/201,
D24/107, 207, 208, 204; D23/202, 200;
119/676, 673–674, 678, 650; 601/166; 4/488–489,
4/538, 540, 541.03, 555, 558, 560.1

(57) **CLAIM**

See application file for complete search history.

The ornamental design for a hydrotherapy apparatus, as shown and described.

(56) **References Cited**

DESCRIPTION

U.S. PATENT DOCUMENTS

2,719,307	A *	10/1955	Reid	119/673
3,272,201	A *	9/1966	Burns	601/166
3,371,354	A *	3/1968	Hayslett	4/556
3,485,213	A *	12/1969	Scanlon	119/700
4,047,522	A *	9/1977	Plugge	601/157
D259,953	S *	7/1981	Weissman et al.	D24/205
4,546,506	A	10/1985	Houle et al.		
D285,346	S *	8/1986	Sween	D24/204
5,108,088	A	4/1992	Keller et al.		
5,213,064	A *	5/1993	Mondine et al.	119/671
5,329,878	A *	7/1994	McCauley	119/165
6,516,752	B2 *	2/2003	Batterton	119/650

FIG. 1 is a perspective view of a hydrotherapy apparatus according to the present invention;

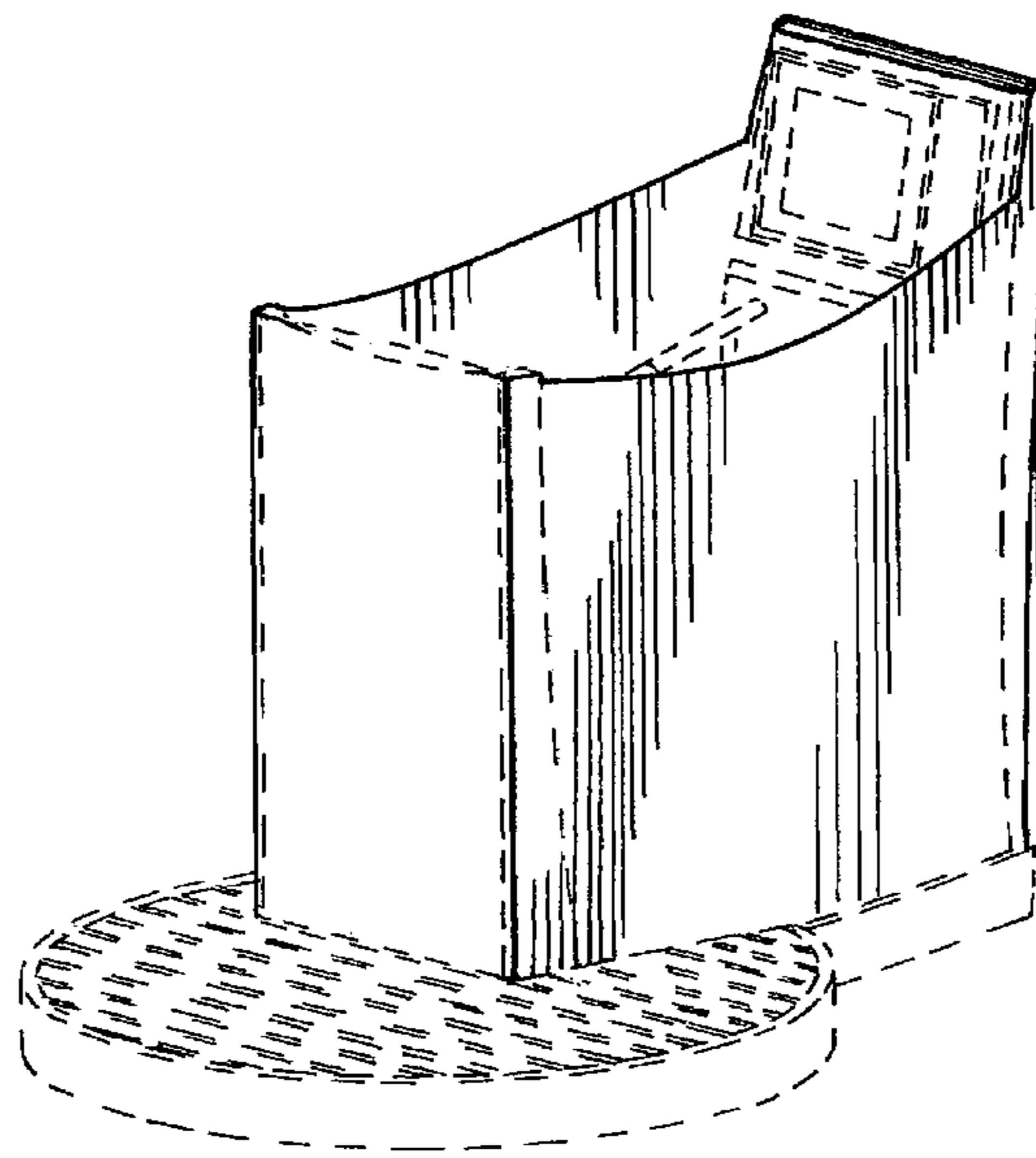
FIG. 2 is a top plan view of the hydrotherapy apparatus of FIG. 1;

FIG. 3 is a side elevation view of the hydrotherapy apparatus of FIG. 1; and,

FIG. 4 is a front elevation view of the hydrotherapy apparatus of FIG. 1.

The broken lines immediately adjacent to the shaded areas represent the bounds of the claimed design while all other broken lines are for environmental purposes only, the broken lines form no part of the claimed design.

1 Claim, 4 Drawing Sheets



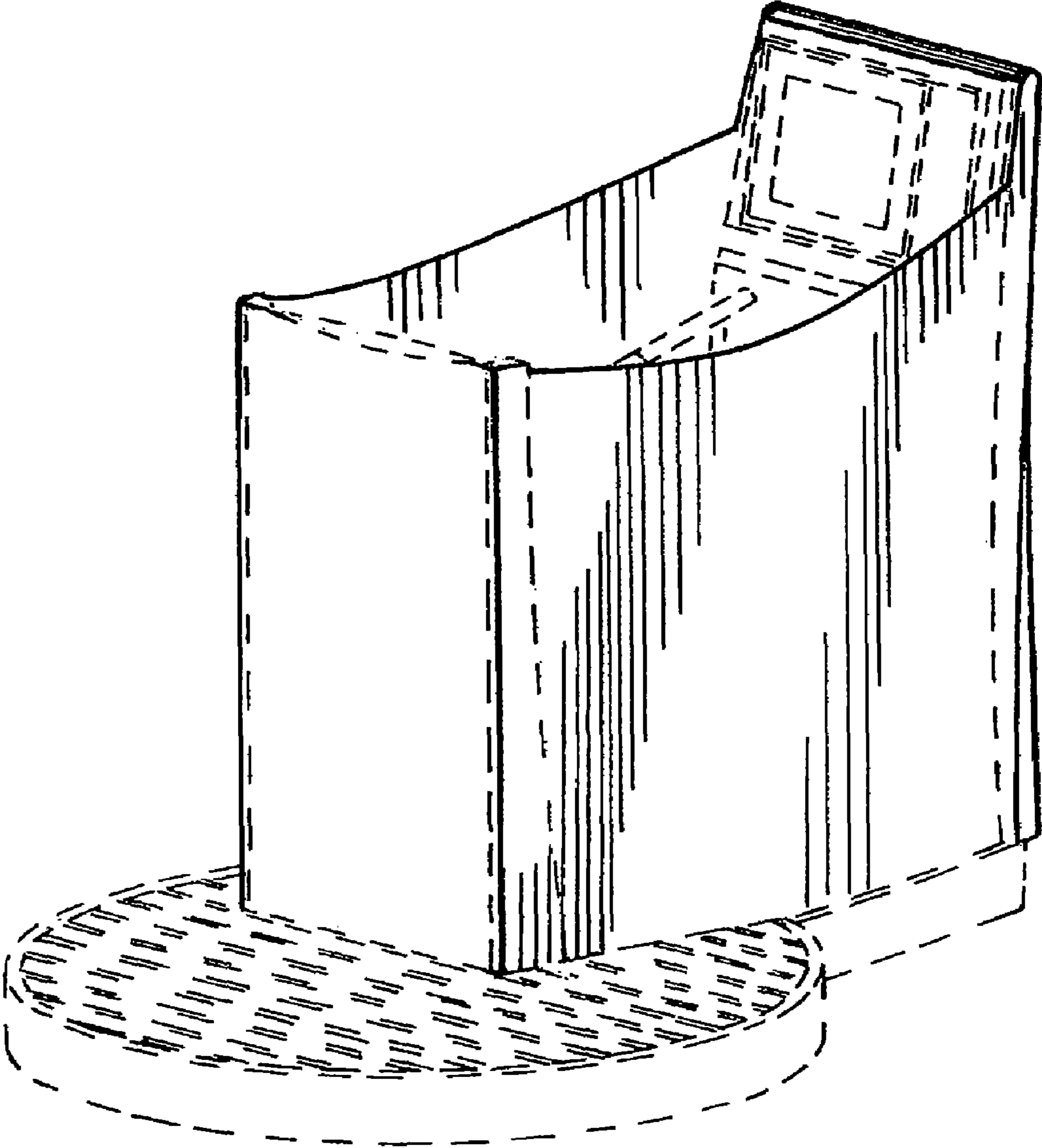


FIG. 1

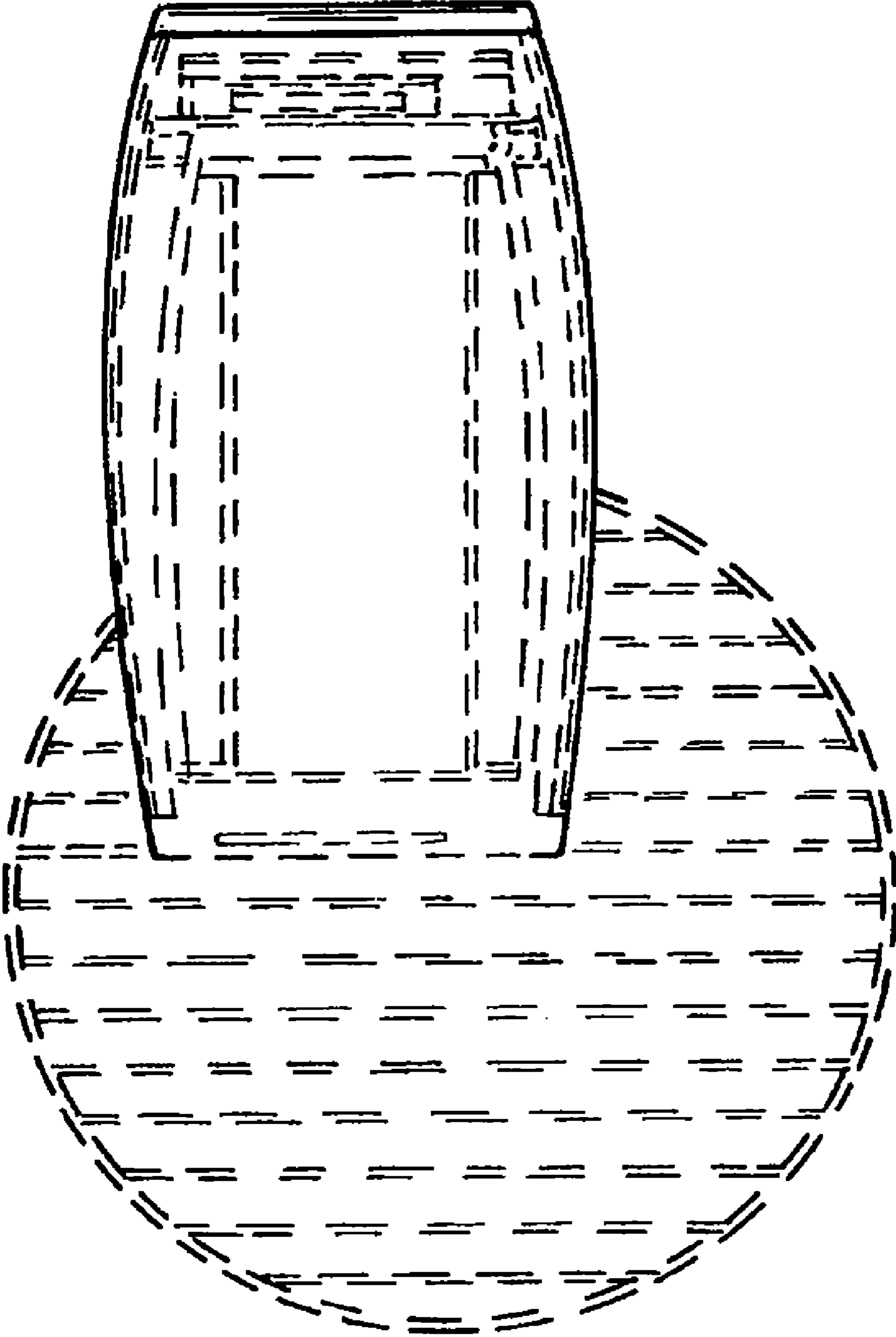


FIG. 2

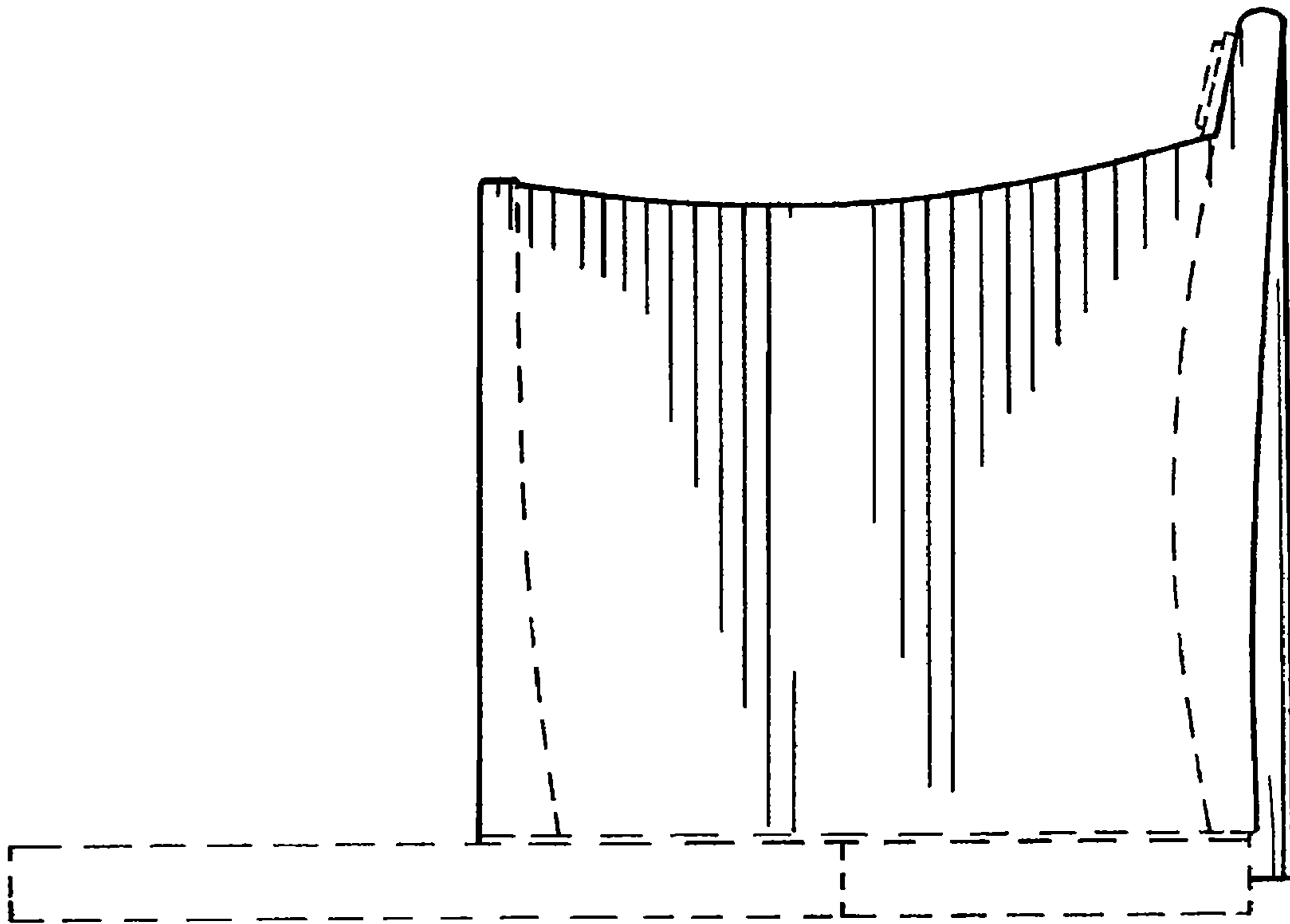


FIG. 3

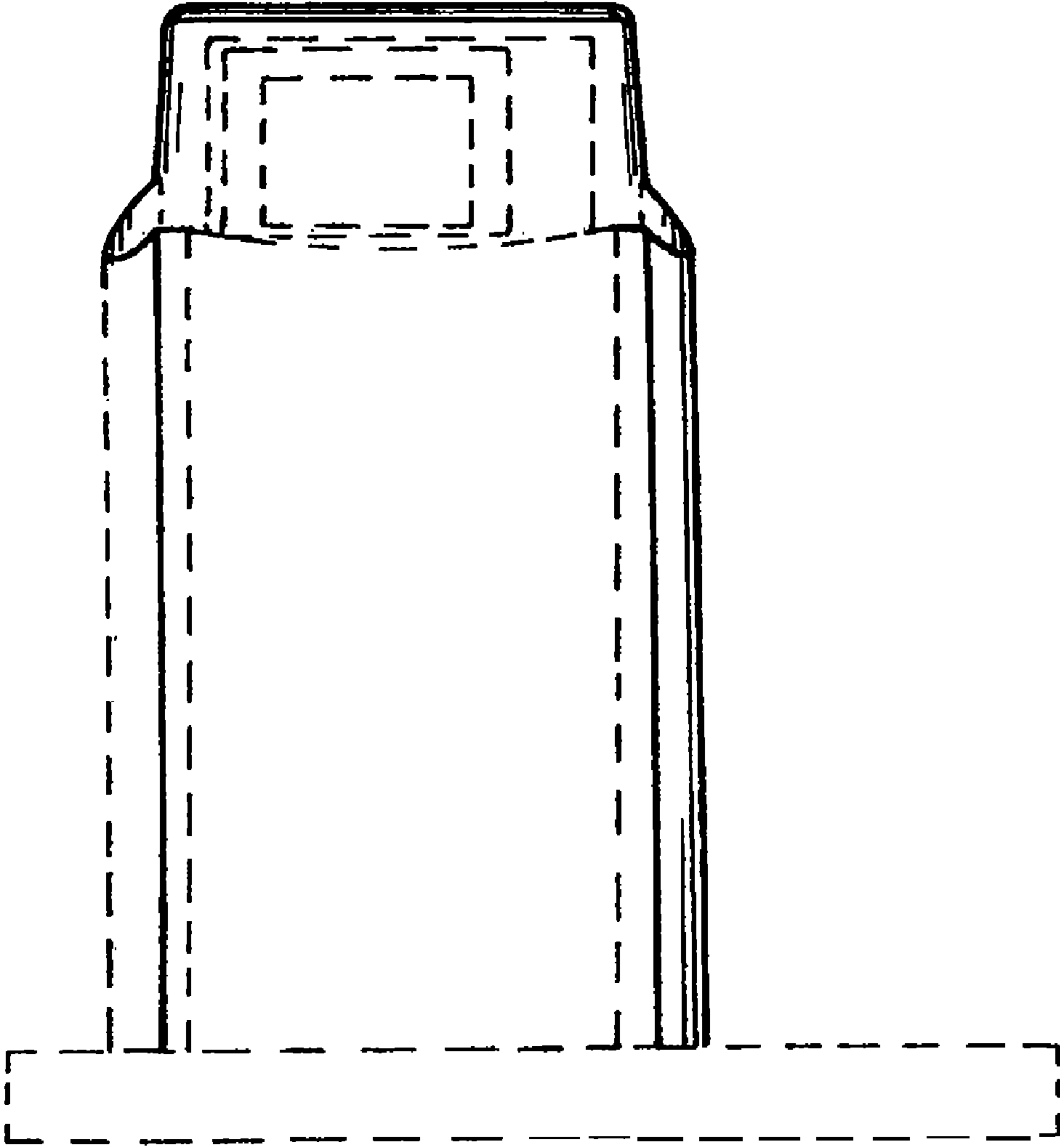


FIG. 4