



US00D606202S

(12) **United States Design Patent**
Banryu

(10) **Patent No.:** **US D606,202 S**

(45) **Date of Patent:** **** Dec. 15, 2009**

(54) **CART OF MEASURING APPARATUS FOR
ULTRASONIC DIAGNOSIS APPARATUS**

(75) Inventor: **Atsunobu Banryu**, Funabashi (JP)

(73) Assignees: **Kabushiki Kaisha Toshiba** (JP);
Toshiba Medical Systems Corporation
(JP)

(**) Term: **14 Years**

(21) Appl. No.: **29/334,665**

(22) Filed: **Mar. 31, 2009**

(30) **Foreign Application Priority Data**

Nov. 28, 2008 (JP) 2008-030538

(51) **LOC (9) Cl.** **24-02**

(52) **U.S. Cl.** **D24/185**

(58) **Field of Classification Search** D24/164,
D24/169, 172, 176, 185-186, 234; D34/12-27;
D6/436, 460; 280/47.18, 47.26, 47.34, 47.35,
280/33.991, 33.992, 33.993; 108/7; D14/302
See application file for complete search history.

(56) **References Cited**

U.S. PATENT DOCUMENTS

D434,502 S * 11/2000 Gallant D24/185
D486,915 S * 2/2004 Warschewske et al. D24/185
D512,508 S * 12/2005 Mesaros D24/185
D517,768 S * 3/2006 Arceta D34/14
D518,267 S * 3/2006 Arceta D34/12

D531,728 S * 11/2006 Helgeson D24/164
D548,918 S * 8/2007 Nussberger D34/17
D585,991 S * 2/2009 Helgeson et al. D24/176
7,490,837 B2 * 2/2009 Pond et al. 280/47.35
D588,272 S * 3/2009 Meiser D24/185
D596,420 S * 7/2009 Yoshida D6/396

FOREIGN PATENT DOCUMENTS

JP D1201424 4/2004

* cited by examiner

Primary Examiner—T. Chase Nelson

Assistant Examiner—Mark Cavanna

(74) *Attorney, Agent, or Firm*—Banner & Witcoff, Ltd.

(57) **CLAIM**

The ornamental design for a cart of measuring apparatus for ultrasonic diagnosis apparatus, as shown and described.

DESCRIPTION

FIG. 1 is a front, top and right side perspective view of a cart of measuring apparatus for ultrasonic diagnosis apparatus, showing my new design;

FIG. 2 is a front elevational view thereof;

FIG. 3 is a rear elevational view thereof;

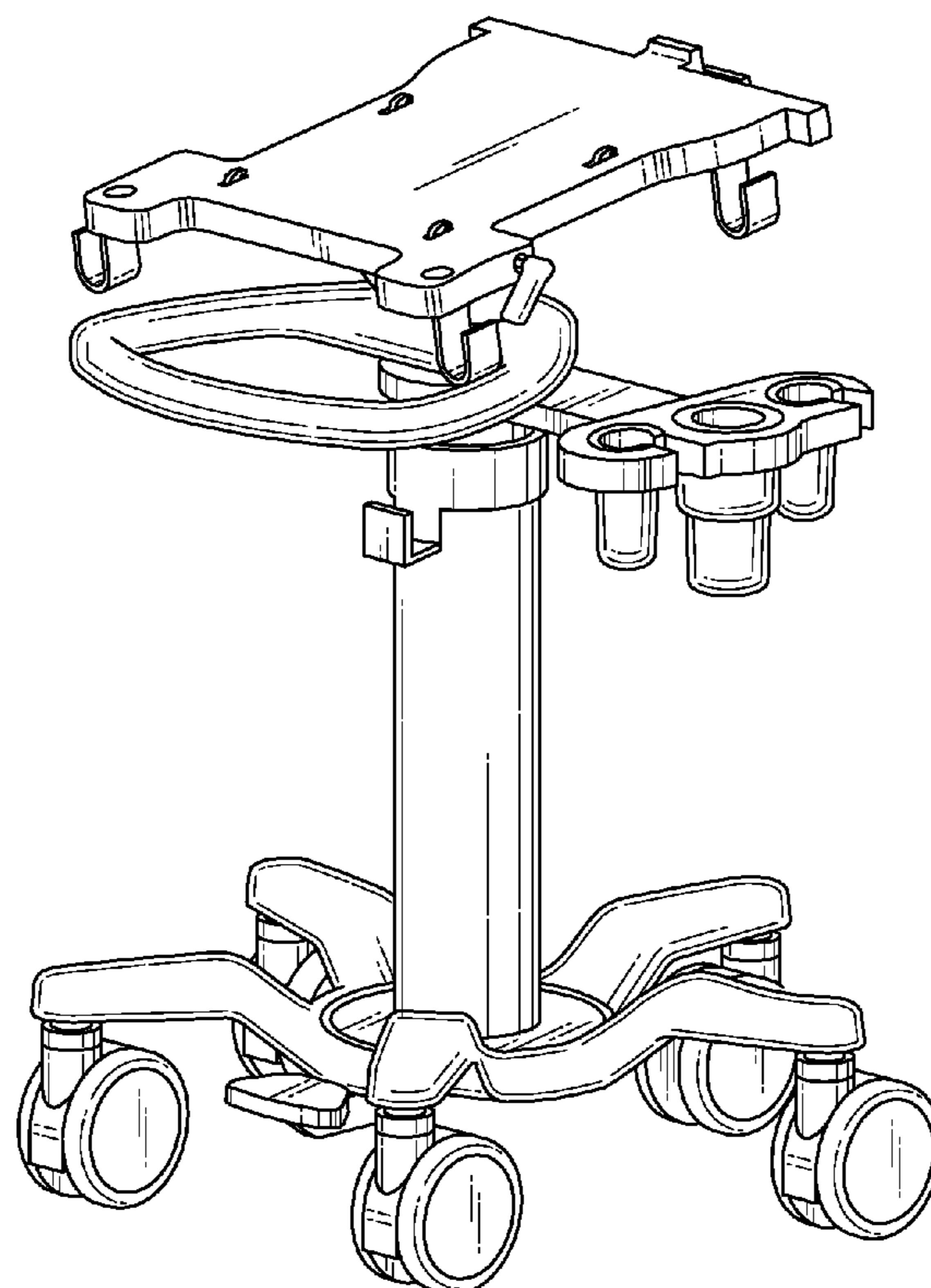
FIG. 4 is a top plan view thereof;

FIG. 5 is a bottom plan view thereof;

FIG. 6 is a right side elevational view thereof; and,

FIG. 7 is a left side elevational view thereof.

1 Claim, 6 Drawing Sheets



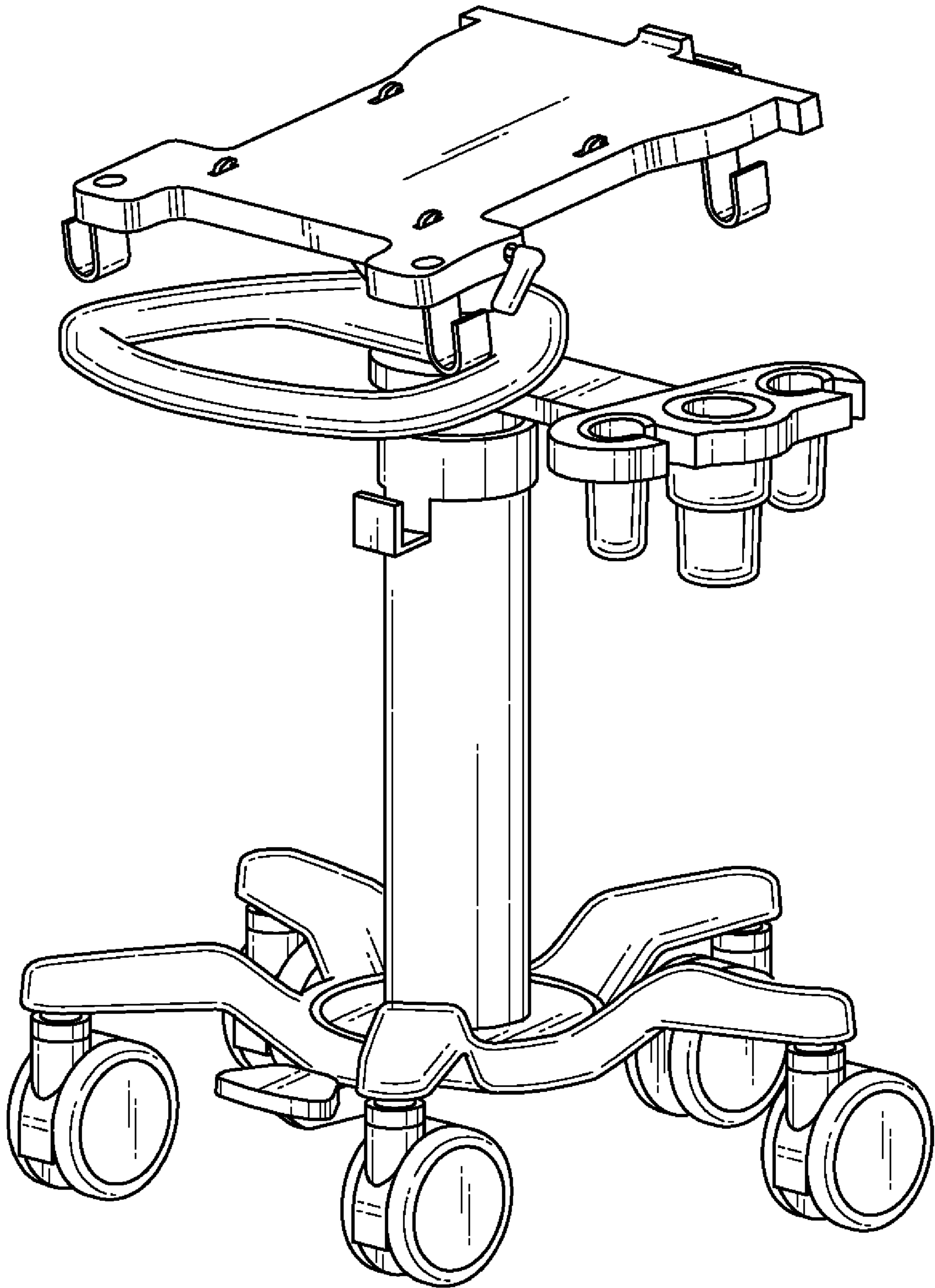


FIG. 1

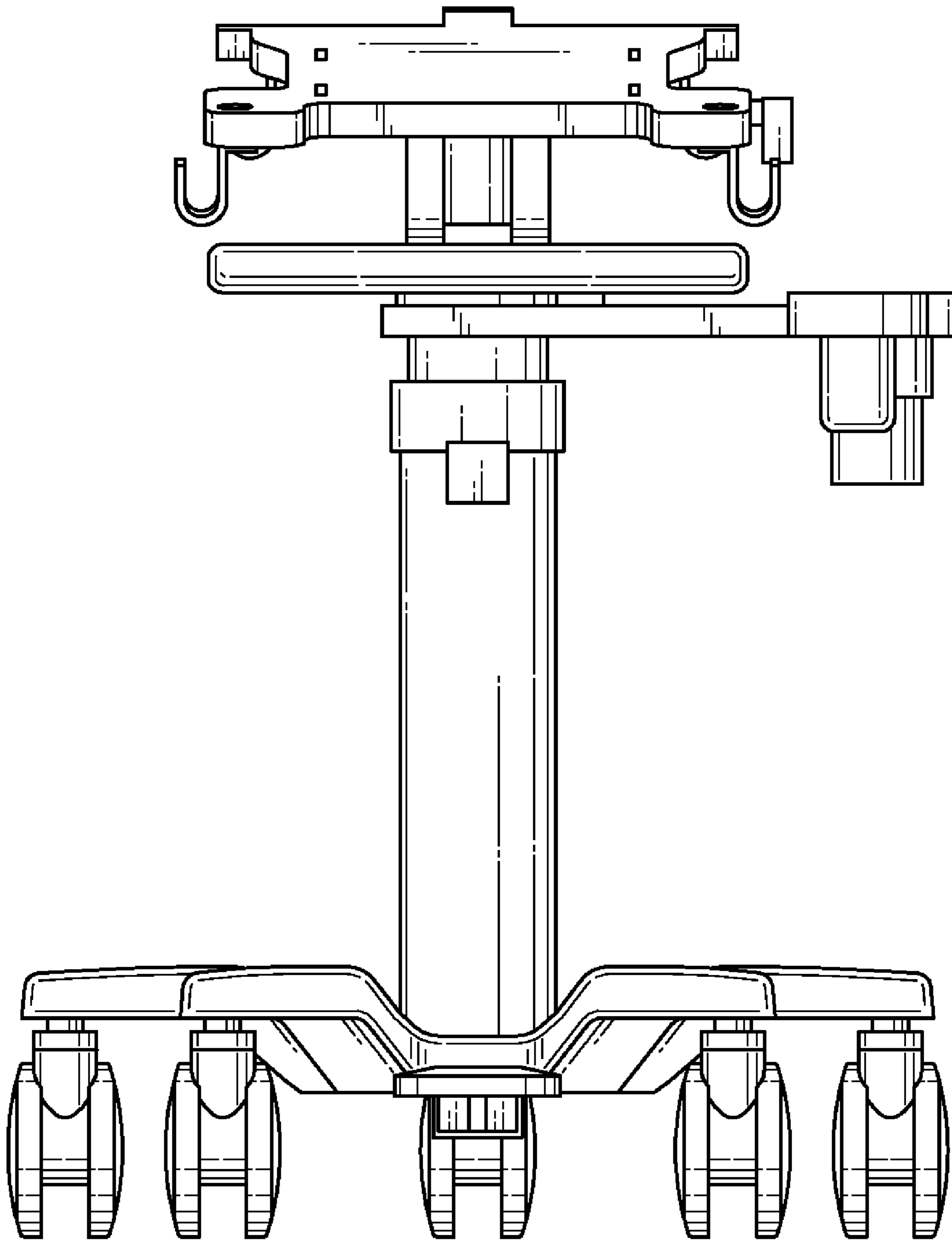


FIG.2

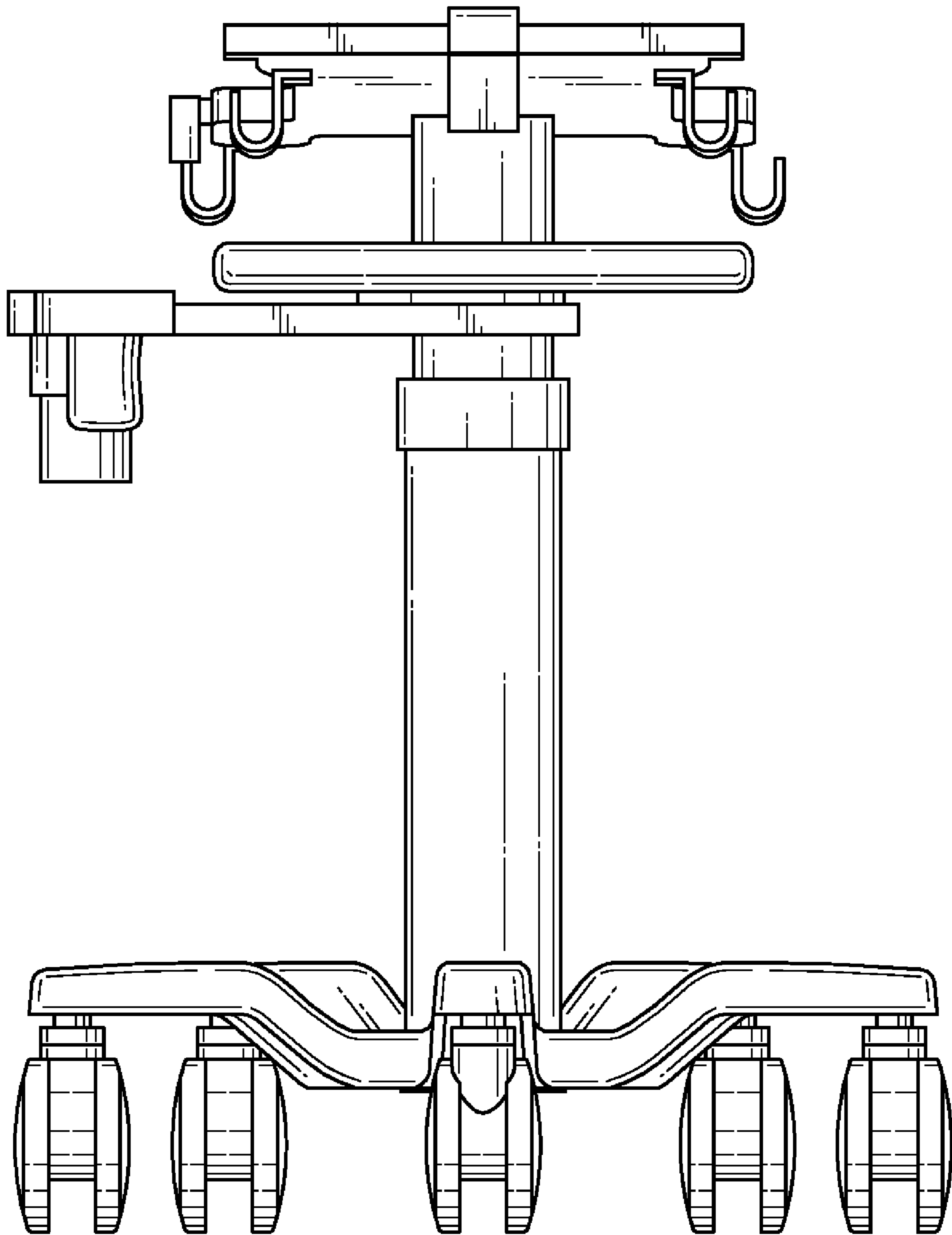


FIG.3

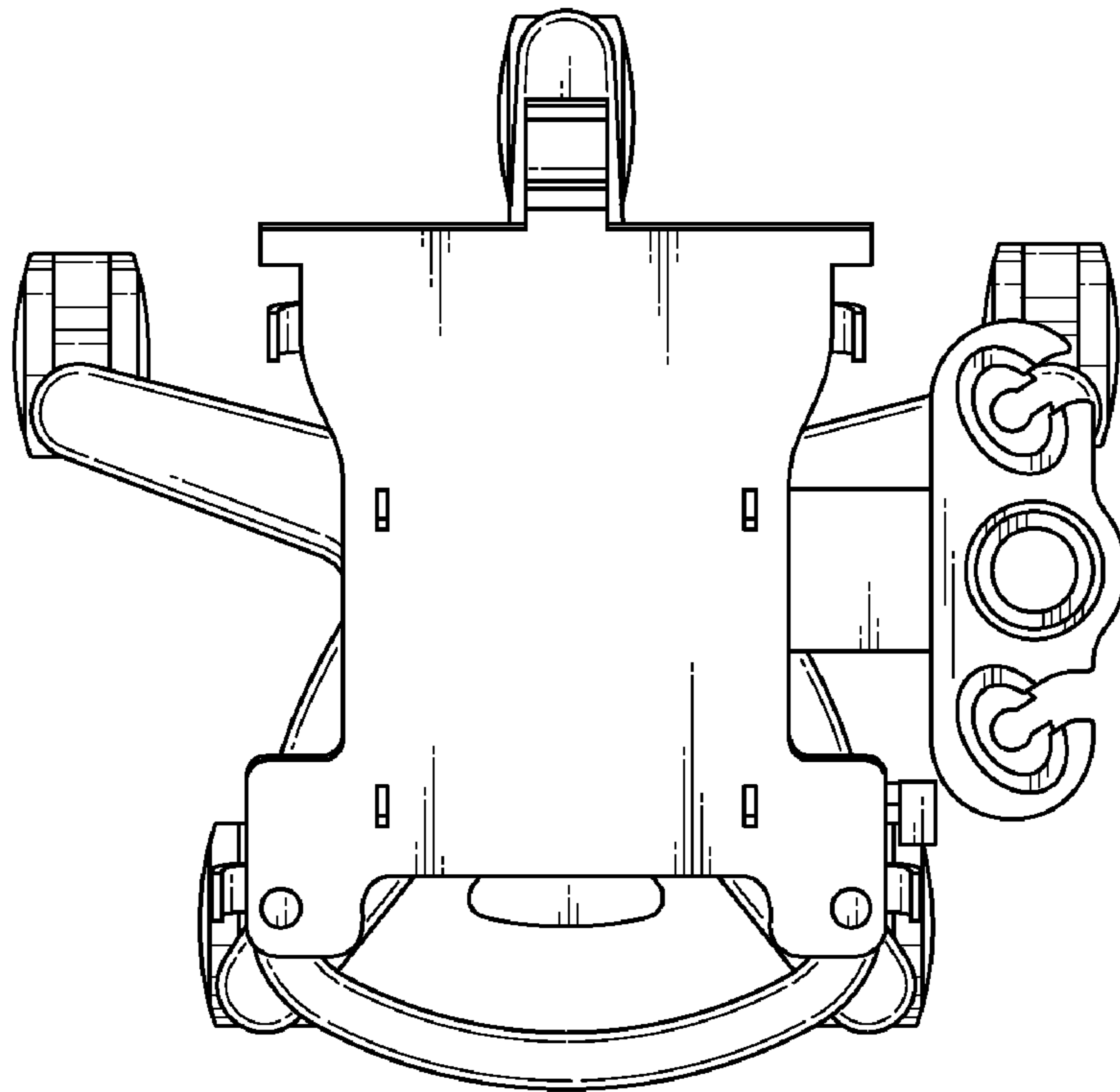


FIG. 4

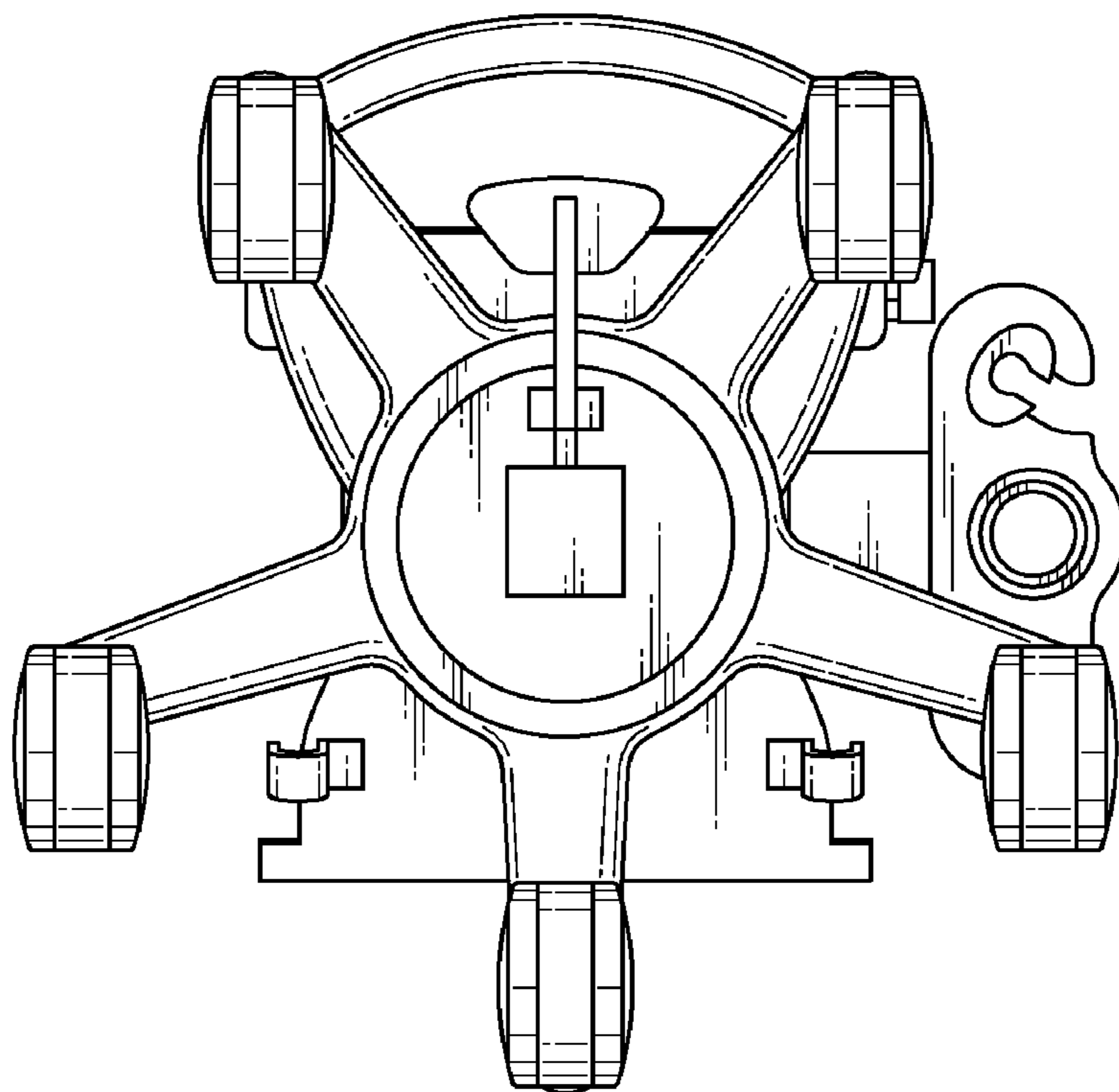


FIG. 5

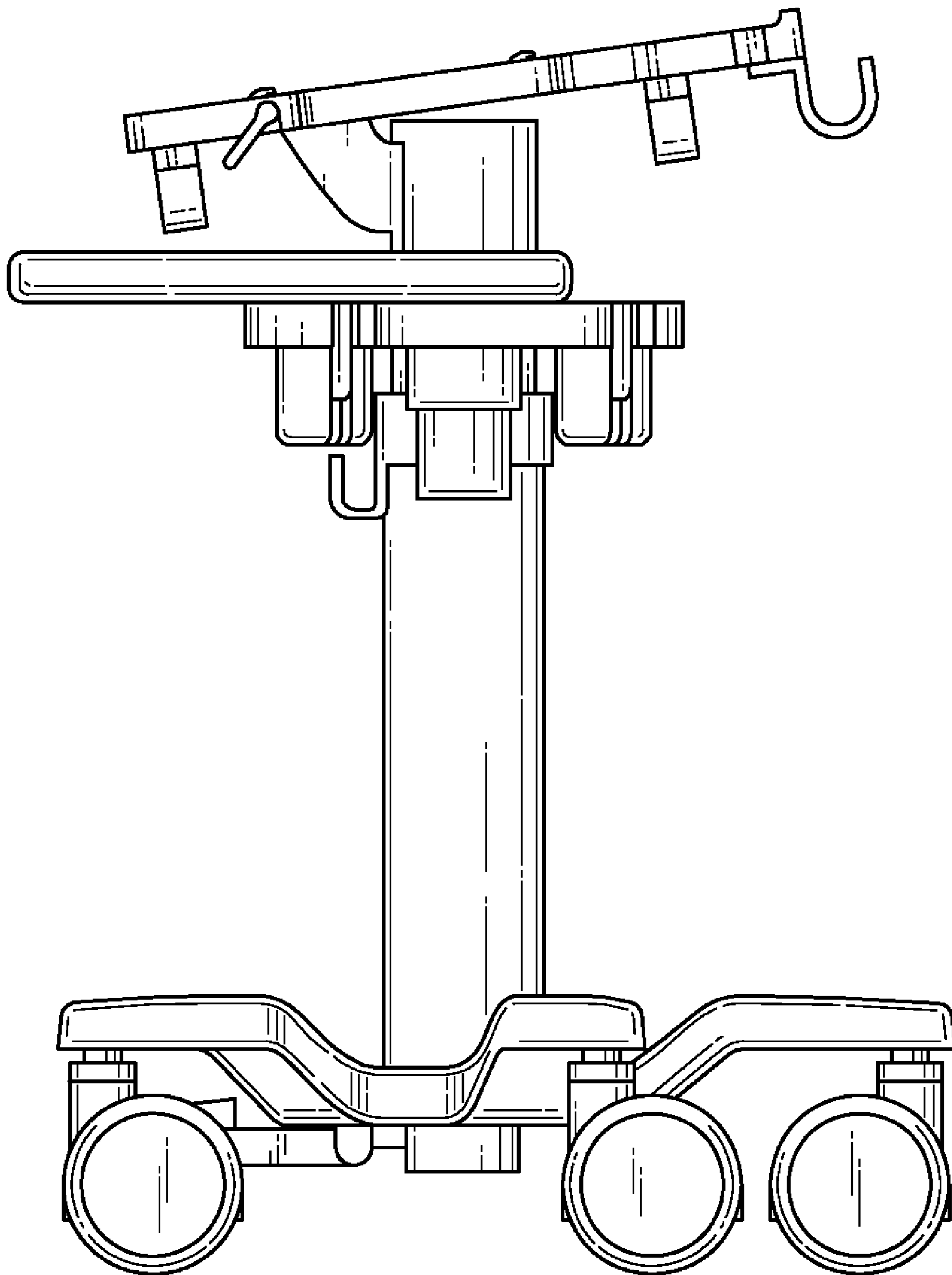


FIG.6

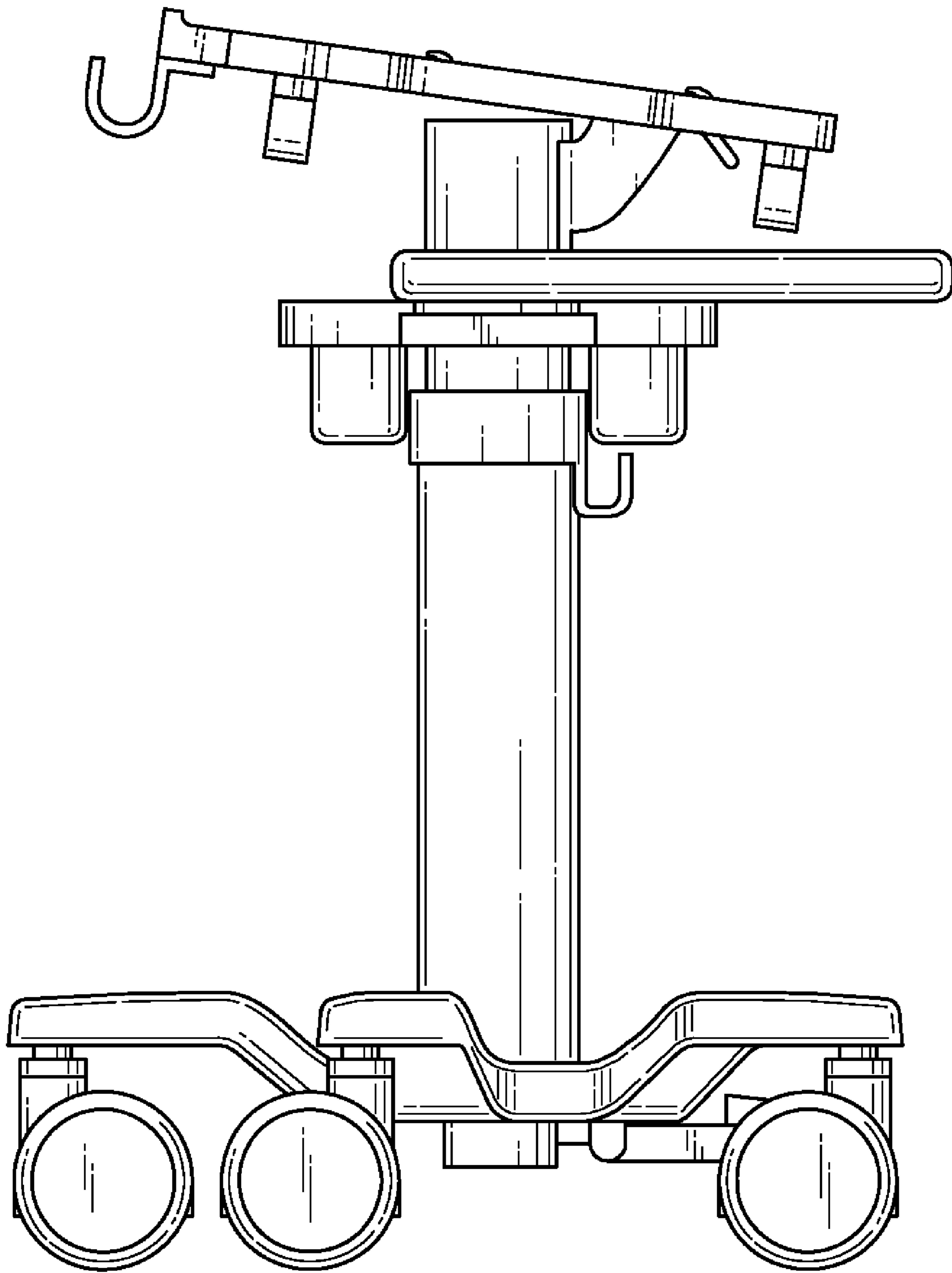


FIG.7