



US00D606200S

(12) **United States Design Patent**
Unsworth et al.

(10) **Patent No.:** **US D606,200 S**
(45) **Date of Patent:** **** Dec. 15, 2009**

(54) **DENTAL UTILITY UNIT**

(75) Inventors: **Austin Unsworth**, Fort Mill, SC (US);
Tom Benfield, York, SC (US)

(73) Assignee: **Dental Equipment, LLC**, Charlotte, NC (US)

(**) Term: **14 Years**

(21) Appl. No.: **29/335,997**

(22) Filed: **Apr. 27, 2009**

(51) **LOC (9) Cl.** **24-04**

(52) **U.S. Cl.** **D24/177**

(58) **Field of Classification Search** D24/177;
D23/291, 292; 433/92, 97, 25; 4/263
See application file for complete search history.

(56) **References Cited**

U.S. PATENT DOCUMENTS

- 3,271,859 A * 9/1966 Horowitz et al. D24/177
- 3,530,513 A * 9/1970 Maurer et al. 4/263
- 4,386,910 A * 6/1983 Cattani 433/92
- D272,269 S * 1/1984 Voltz D24/177
- D282,485 S * 2/1986 Buhner D24/177
- 5,022,858 A * 6/1991 Castellini 433/97
- D360,466 S * 7/1995 Nordstrom et al. D24/176
- D394,706 S * 5/1998 Pate D24/176
- D433,137 S * 10/2000 Pollock et al. D24/176

D434,500 S * 11/2000 Pollock et al. D24/176

* cited by examiner

Primary Examiner—Charles A Rademaker

(74) *Attorney, Agent, or Firm*—Timothy H. Van Dyke;
Beusse Wolter Sanks Mora & Maire

(57) **CLAIM**

The ornamental design for a dental utility unit, as shown and described.

DESCRIPTION

FIG. 1 is a back and side perspective view of a dental utility unit showing our new design;

FIG. 2 is a side elevation thereof;

FIG. 3 is a side elevation of the side opposite that shown in FIG. 3;

FIG. 4 is an end elevation thereof;

FIG. 5 is an end elevation of the side opposite that shown in FIG. 4;

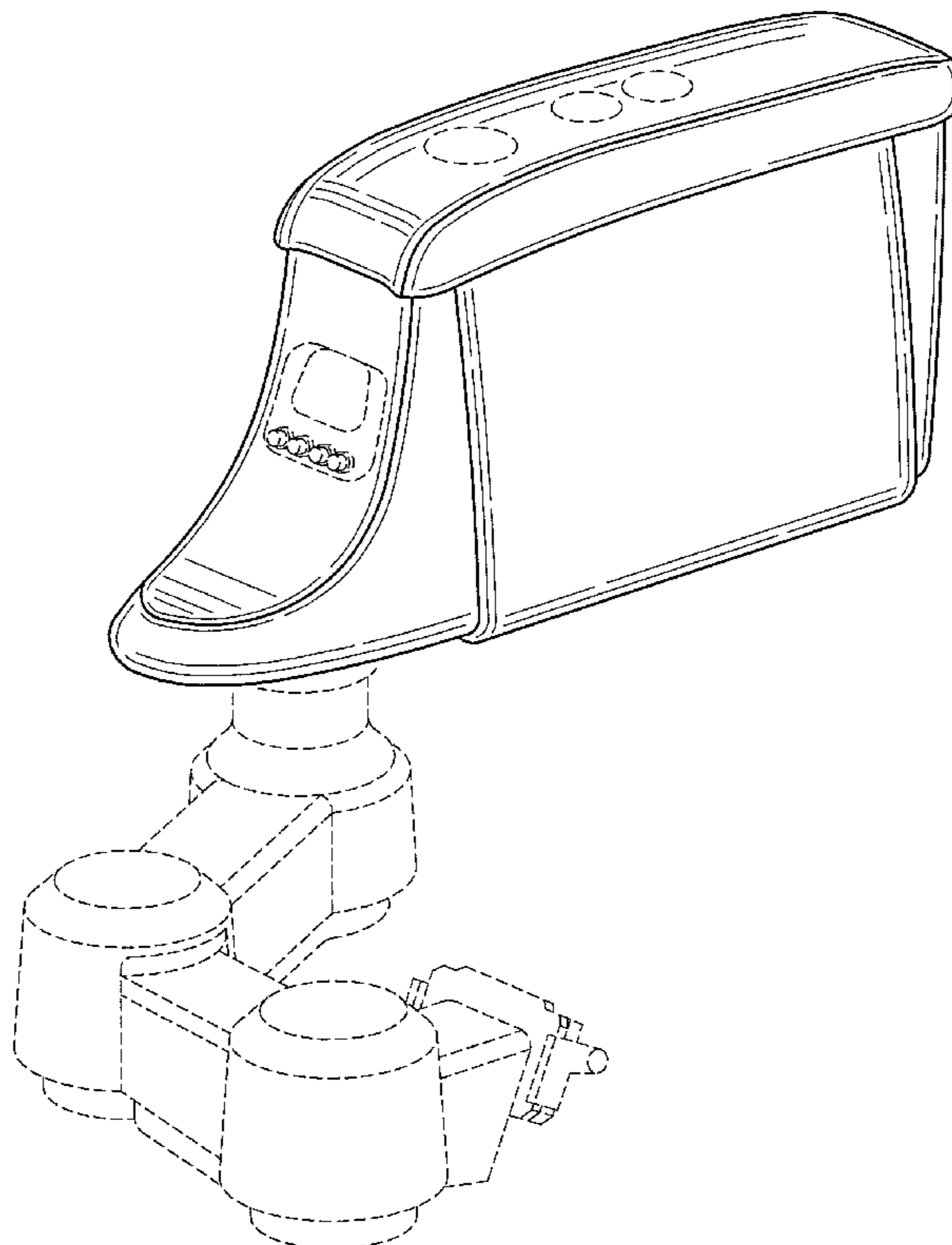
FIG. 6 is a top plan view thereof;

FIG. 7 is a bottom plan view thereof; and,

FIG. 8 is a bottom perspective view of an embodiment of the dental utility unit.

The broken lines shown in the figure drawings are included for purposes of illustration and form no part of the claimed design.

1 Claim, 6 Drawing Sheets



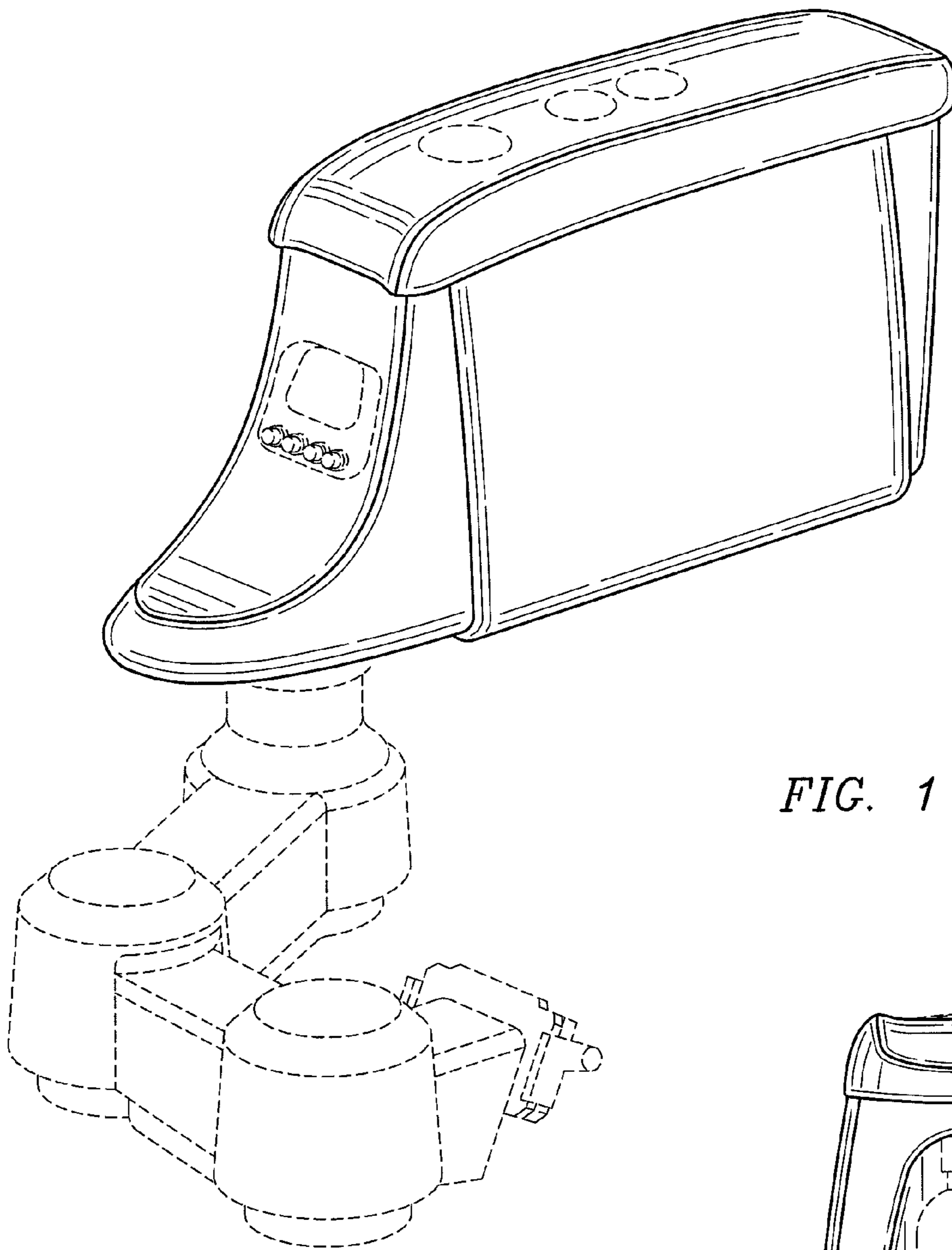
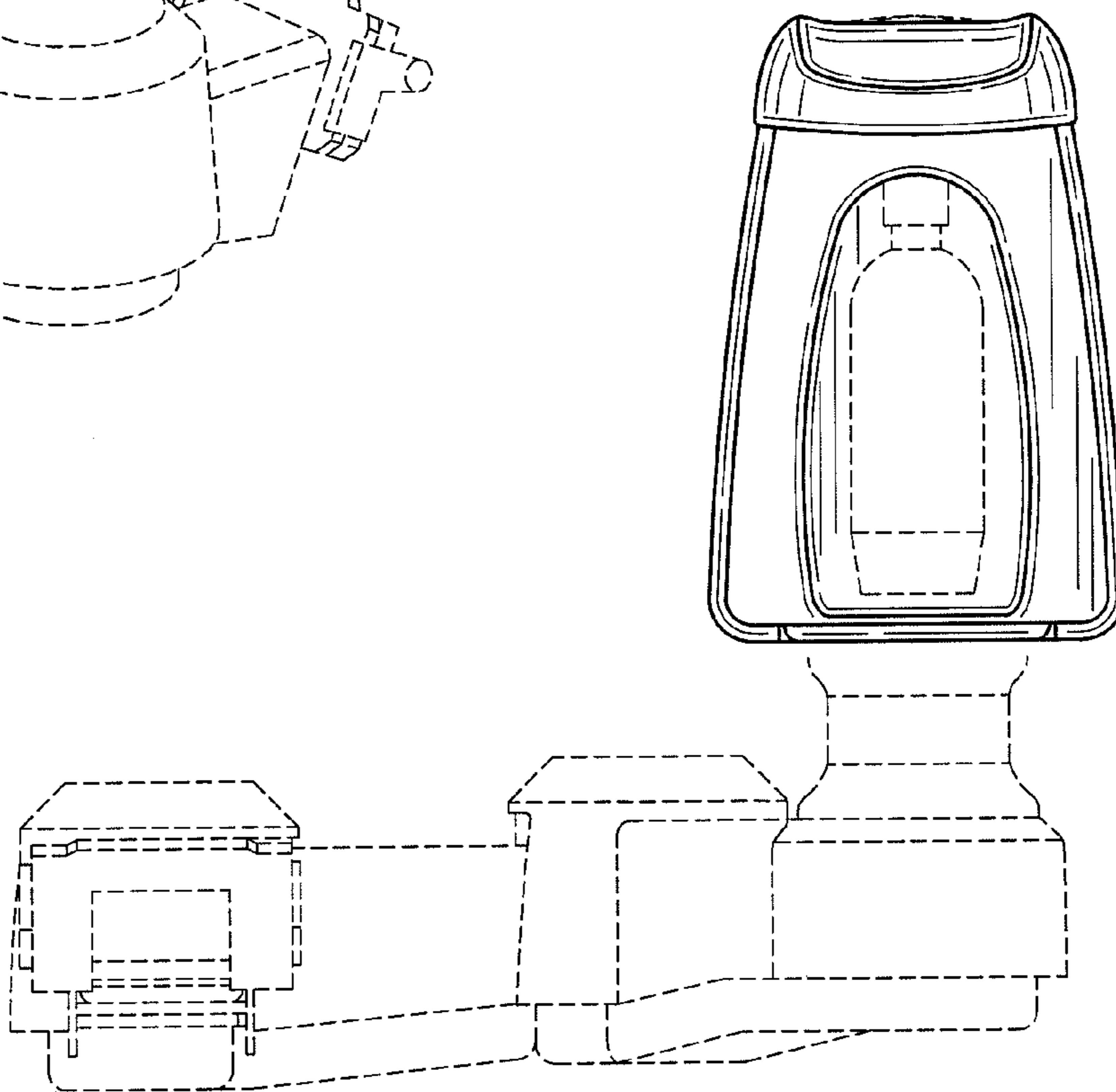


FIG. 1

FIG. 4



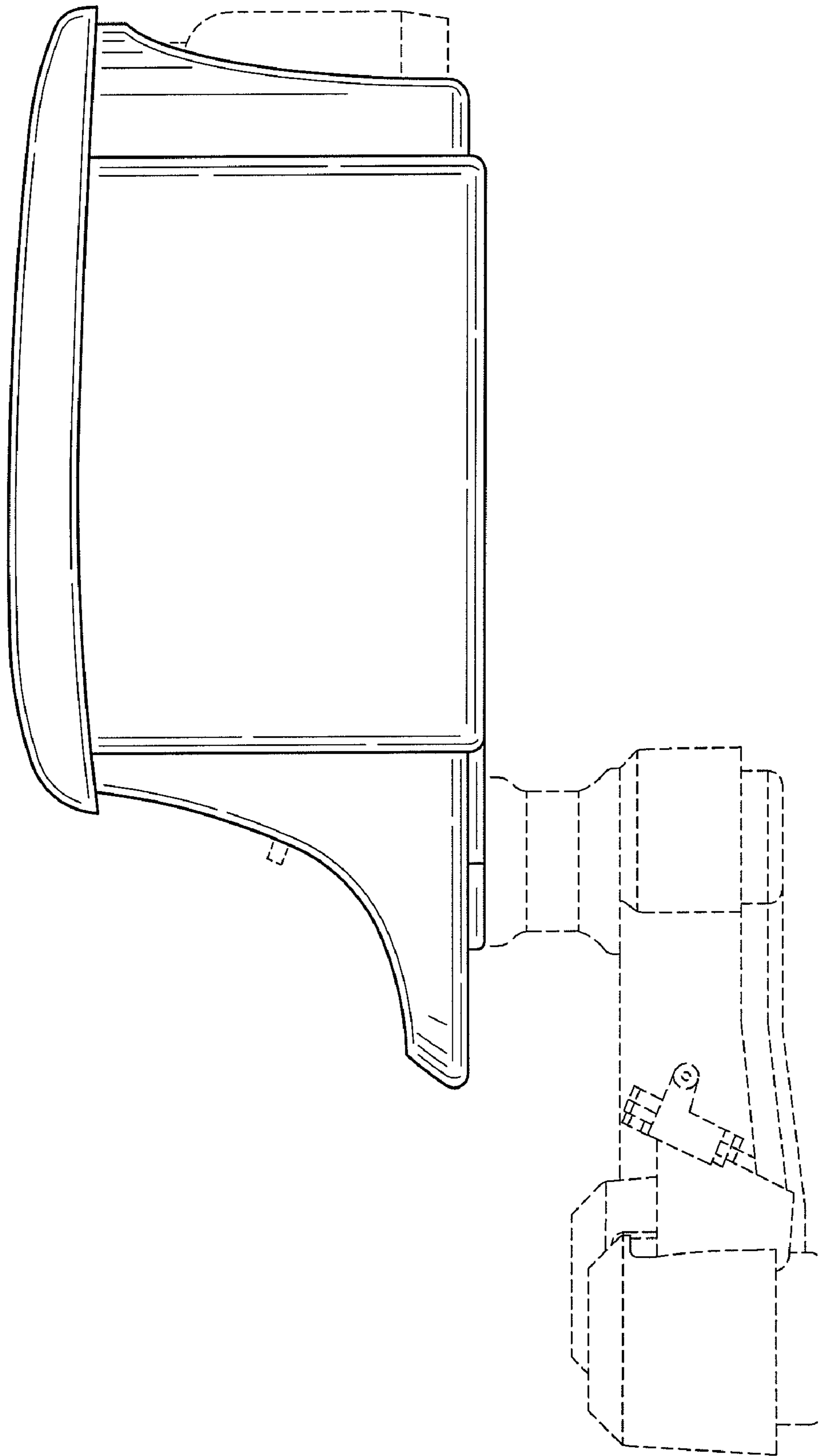


FIG. 2

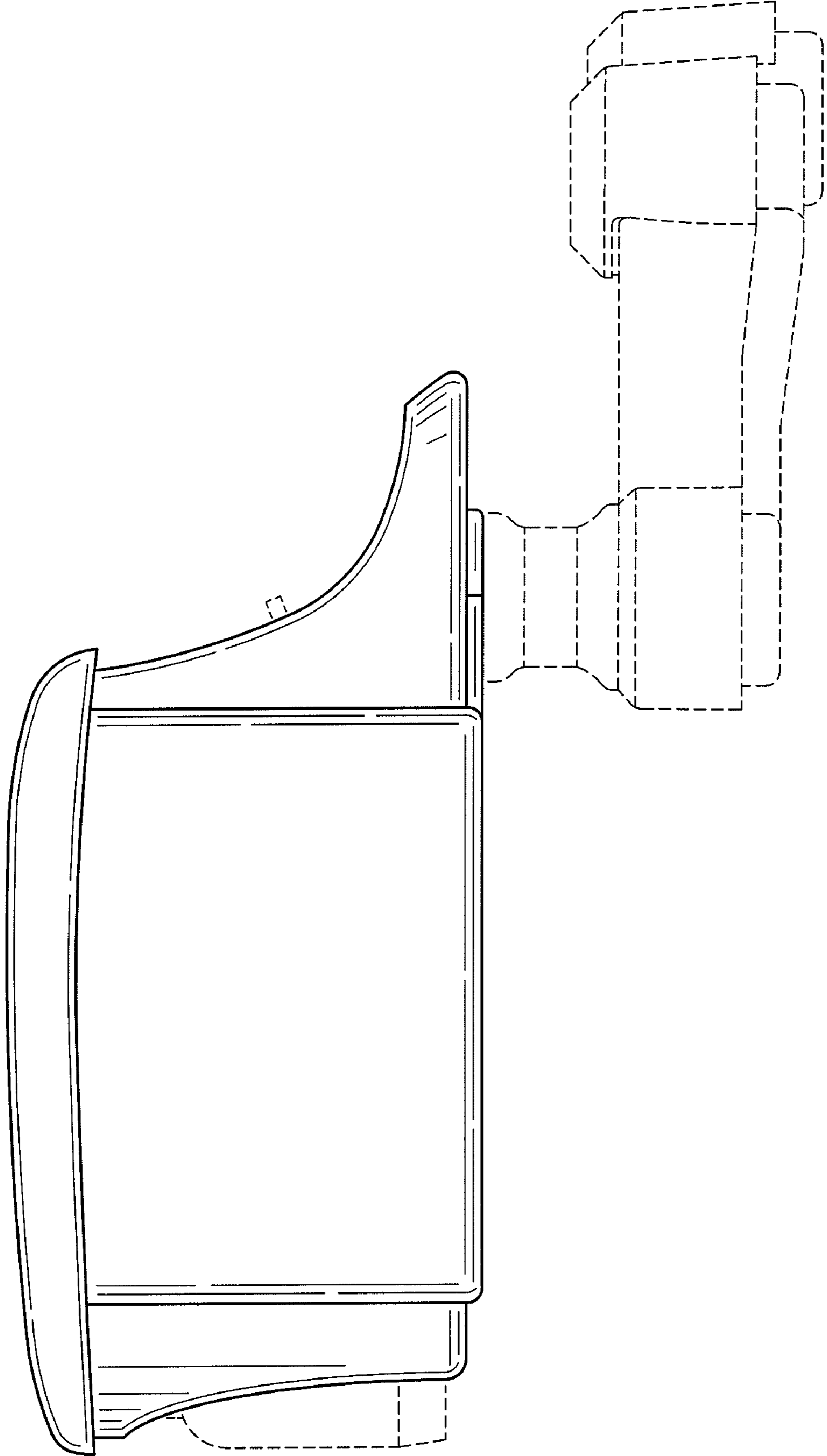


FIG. 3

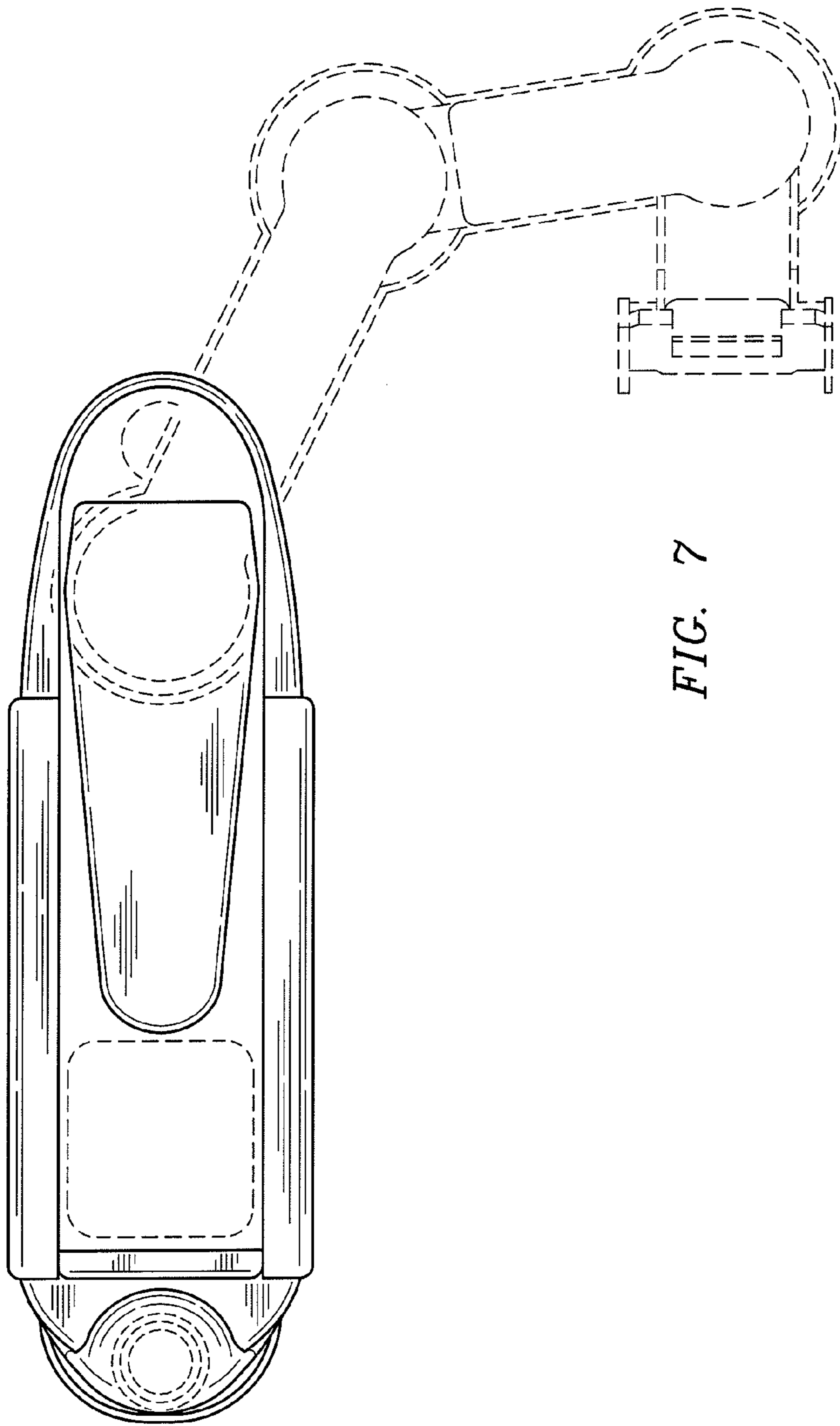


FIG. 7

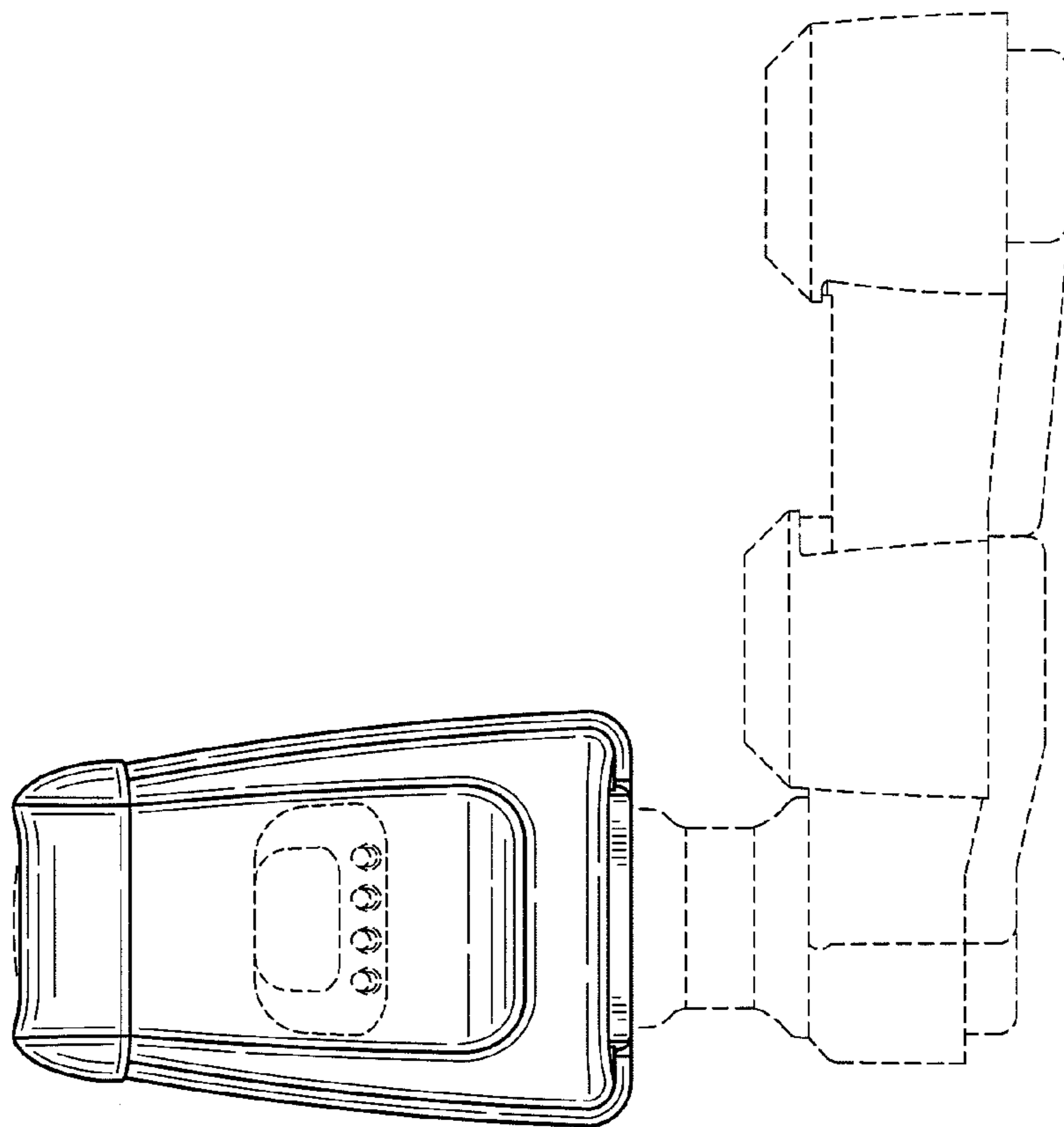


FIG. 5

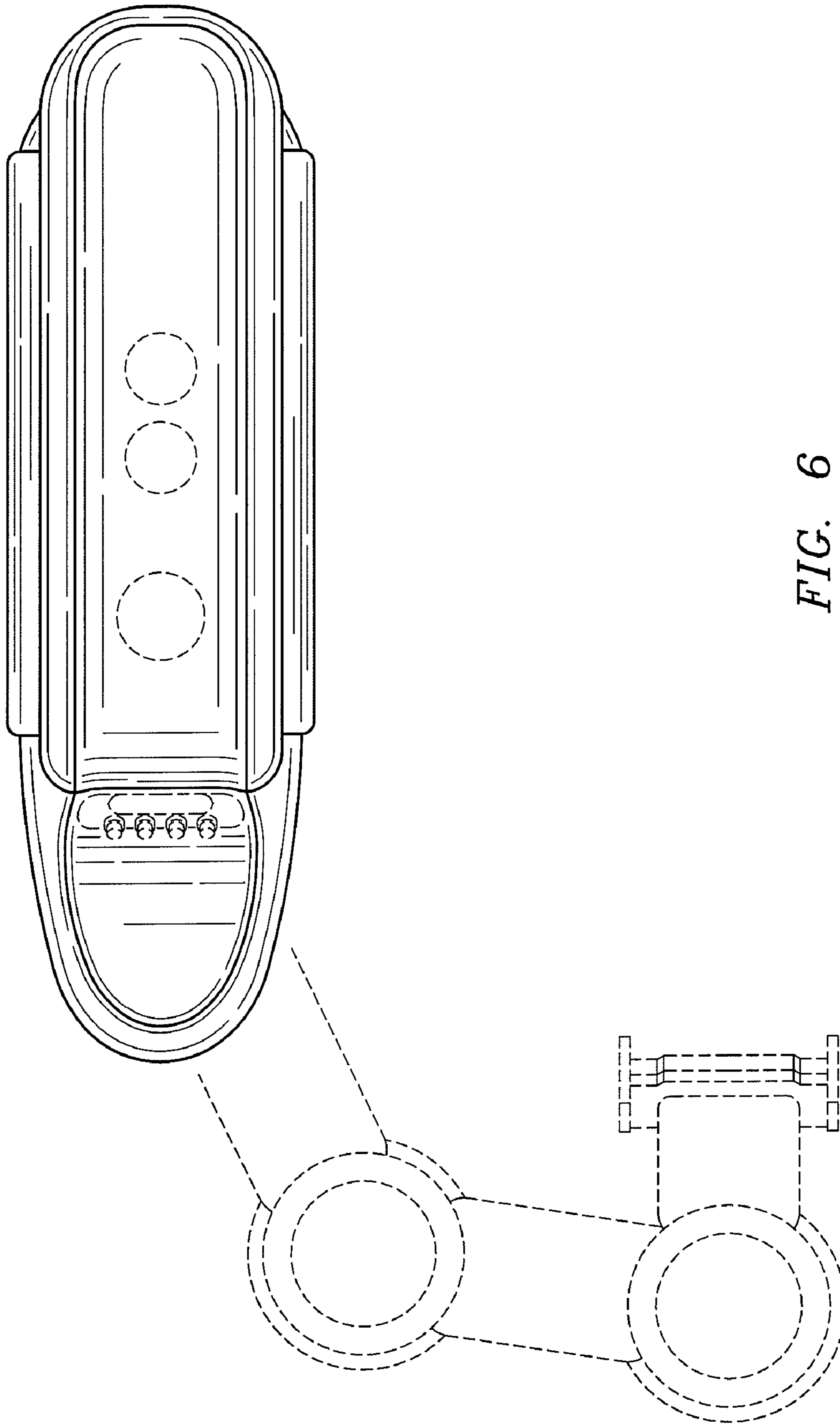


FIG. 6

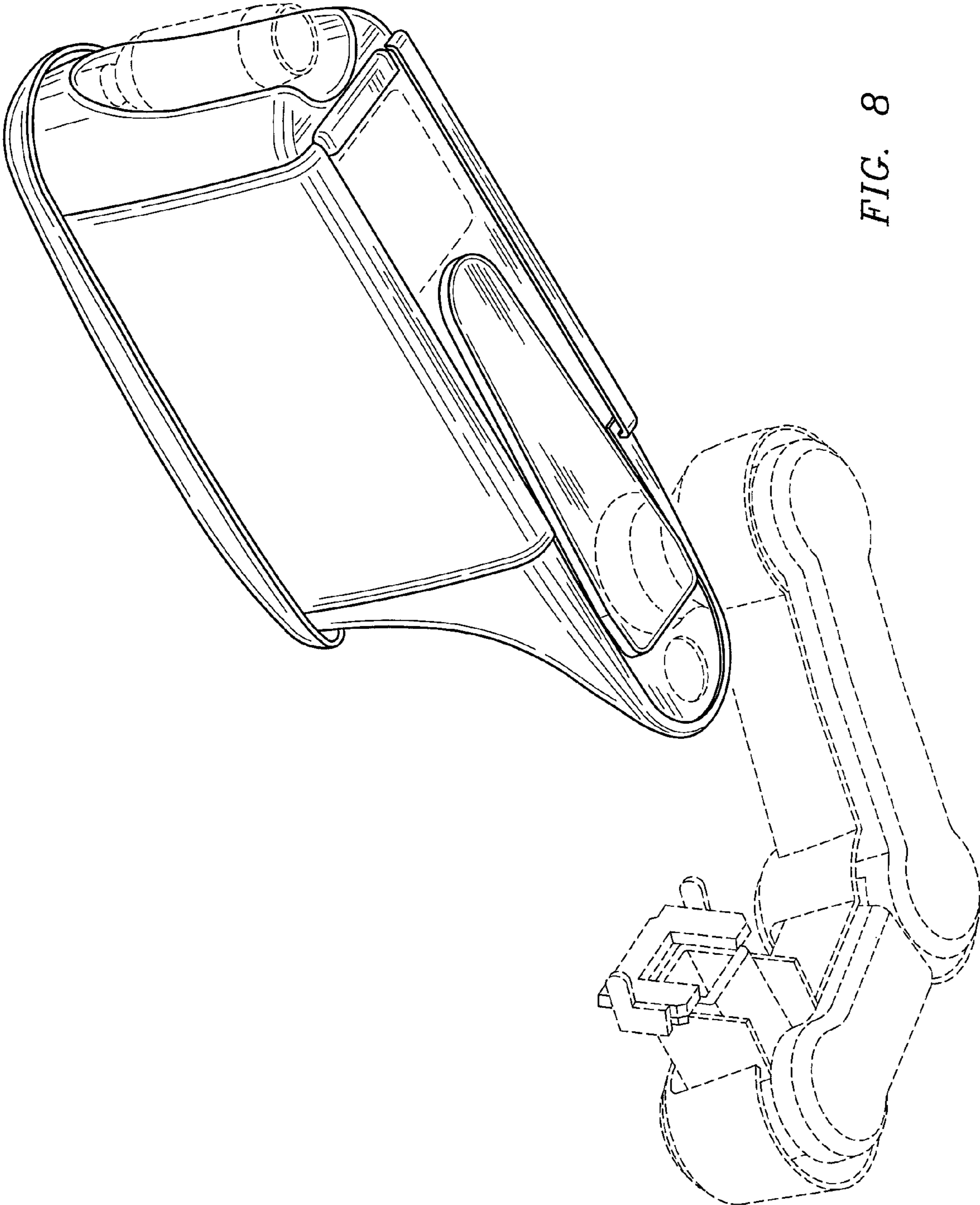


FIG. 8