

US00D606196S

(12) **United States Design Patent**
Fares et al.

(10) **Patent No.:** **US D606,196 S**

(45) **Date of Patent:** **** Dec. 15, 2009**

(54) **DENTAL IMPLANT FIXTURE MOUNT**

(75) Inventors: **Nassib Fares**, New Jdeideh (LB);
Joseph F. Saade, Sin El Fil (LB);
Ryosuke Ikeya, Tokyo (JP); **Shinichiro Hanada**, Tokyo (JP); **Masashi Takahashi**, Tokyo (JP)

(73) Assignee: **GC Corporation**, Tokyo (JP)

(**) Term: **14 Years**

(21) Appl. No.: **29/326,604**

(22) Filed: **Oct. 21, 2008**

(30) **Foreign Application Priority Data**

Apr. 21, 2008 (JP) 2008-010188

(51) **LOC (9) Cl.** **24-03**

(52) **U.S. Cl.** **D24/156**

(58) **Field of Classification Search** D24/155,
D24/156, 180, 176; D8/387, 176; 433/173,
433/176; 606/304, 74, 72

See application file for complete search history.

(56) **References Cited**

U.S. PATENT DOCUMENTS

D296,362 S * 6/1988 Branemark D24/156
D317,200 S * 5/1991 Jorneus D24/156
D353,674 S * 12/1994 Jorneus D24/156
D362,720 S * 9/1995 Holmen et al. D24/155
D380,047 S * 6/1997 Gelb D24/156

6,261,097 B1 * 7/2001 Schmutz et al. 433/173
D469,535 S * 1/2003 Lidskog et al. D24/156
6,619,958 B2 * 9/2003 Beaty et al. 433/173
D528,210 S * 9/2006 Boettcher D24/156
7,207,801 B2 * 4/2007 Vogt et al. 433/173
2003/0175655 A1 * 9/2003 Klardie et al. 433/173

OTHER PUBLICATIONS

U.S. Appl. No. 29/325,397, filed Sep. 30, 2008, Fares, et al.
U.S. Appl. No. 29/326,604, filed Oct. 21, 2008, Fares, et al.
U.S. Appl. No. 29/325,103, filed Sep. 25, 2008, Ikeya, et al.

* cited by examiner

Primary Examiner—Charles A Rademaker

(74) *Attorney, Agent, or Firm*—Oblon, Spivak, McClelland, Maier & Neustadt, L.L.P.

(57) **CLAIM**

The ornamental design for a dental implant fixture mount, as shown and described.

DESCRIPTION

FIG. 1 is a top plan view of a dental implant fixture mount showing our new design, the bottom plan view being a mirror image of the plan view shown;

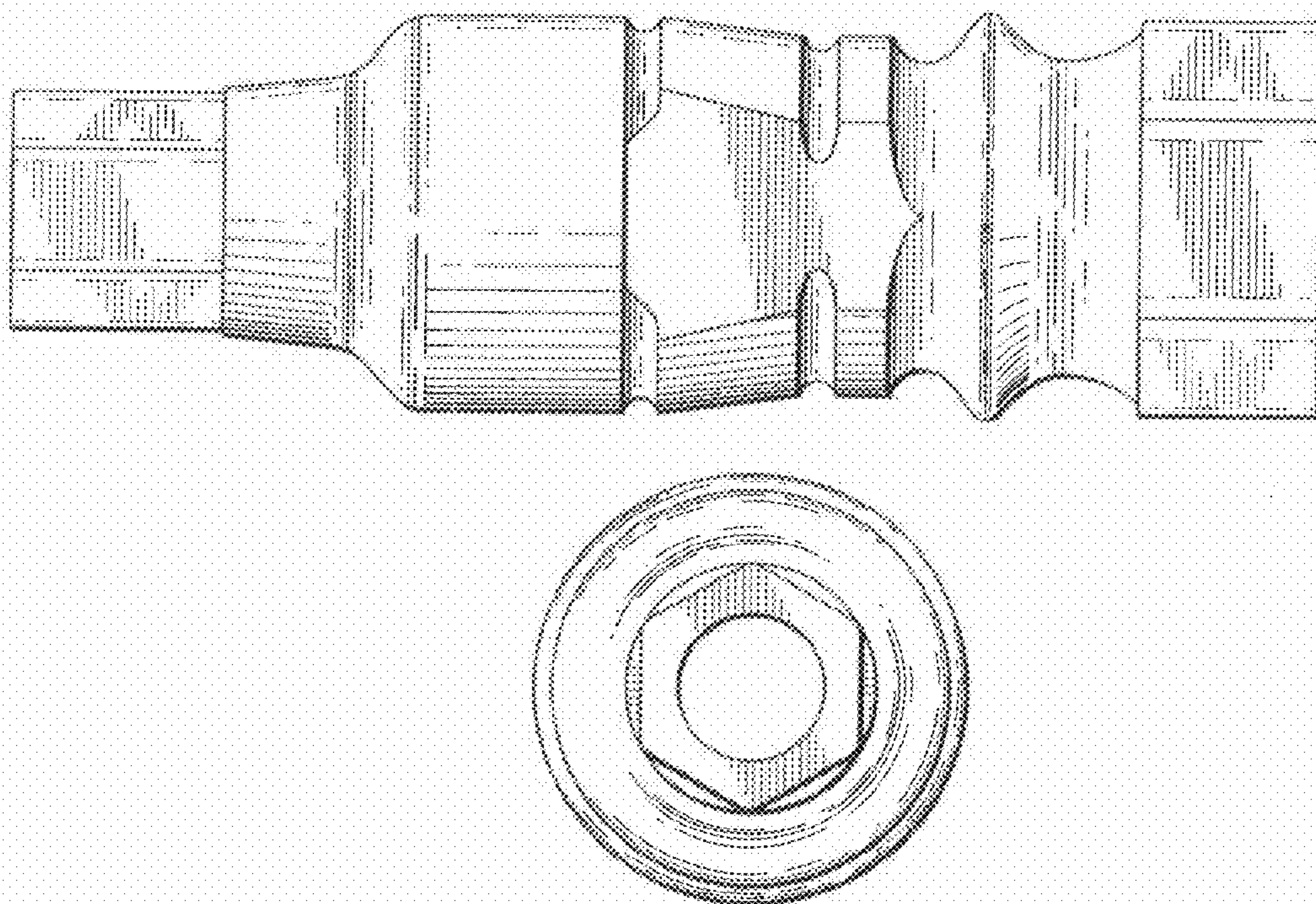
FIG. 2 is a left side elevational view thereof;

FIG. 3 is a right side elevational view thereof;

FIG. 4 is a top plan view thereof, the bottom plan view being a mirror image of the plan view shown; and,

FIG. 5 is a cross-sectional view thereof taken along line A—A in FIG. 3.

1 Claim, 3 Drawing Sheets



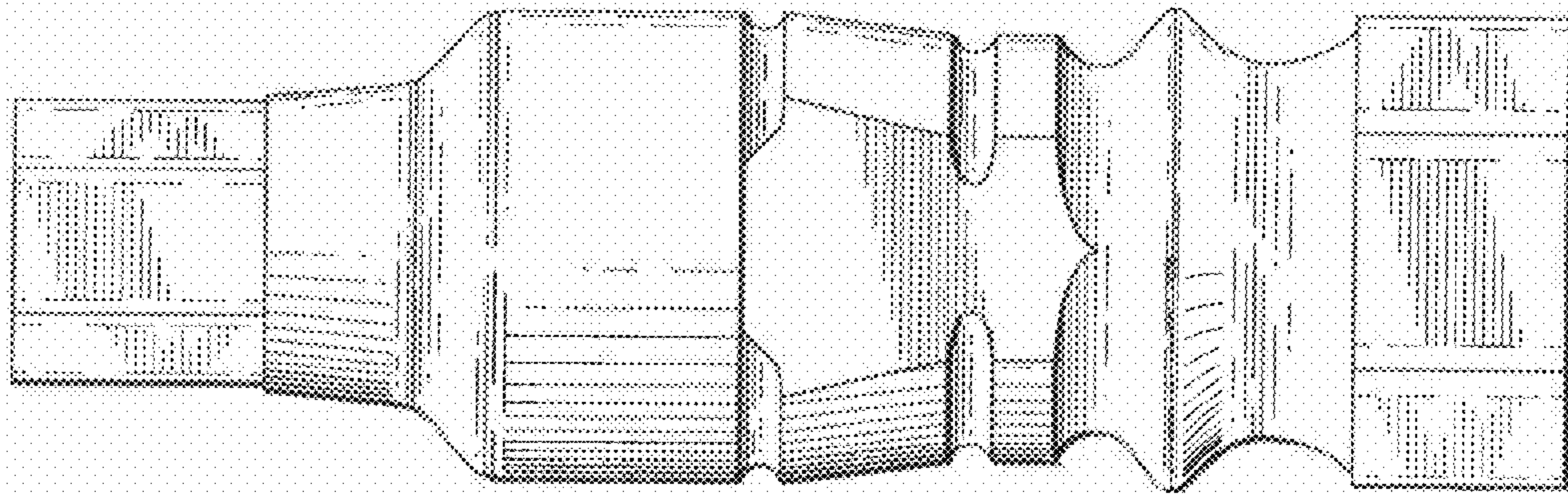


Fig. 1

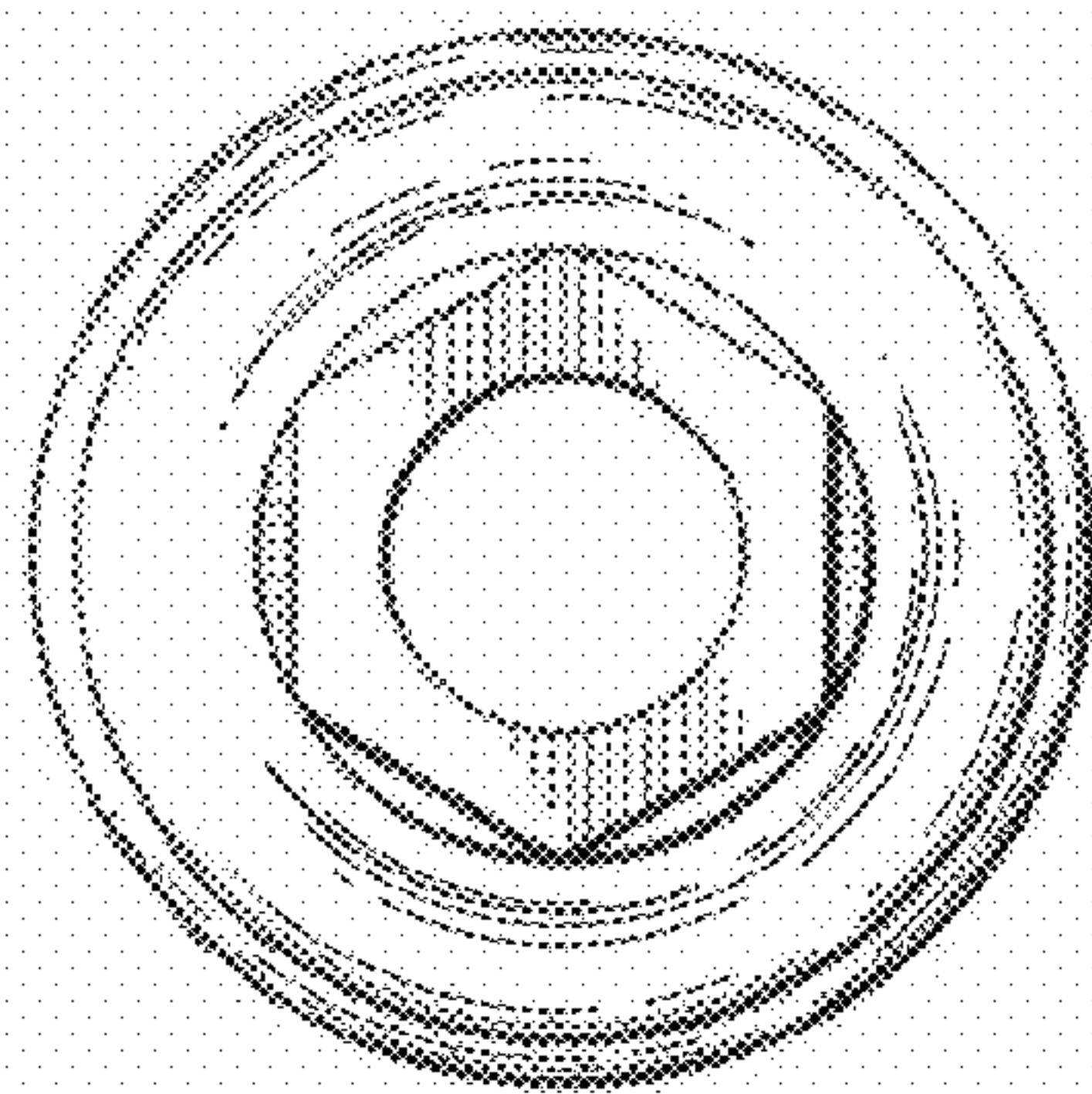


Fig. 2

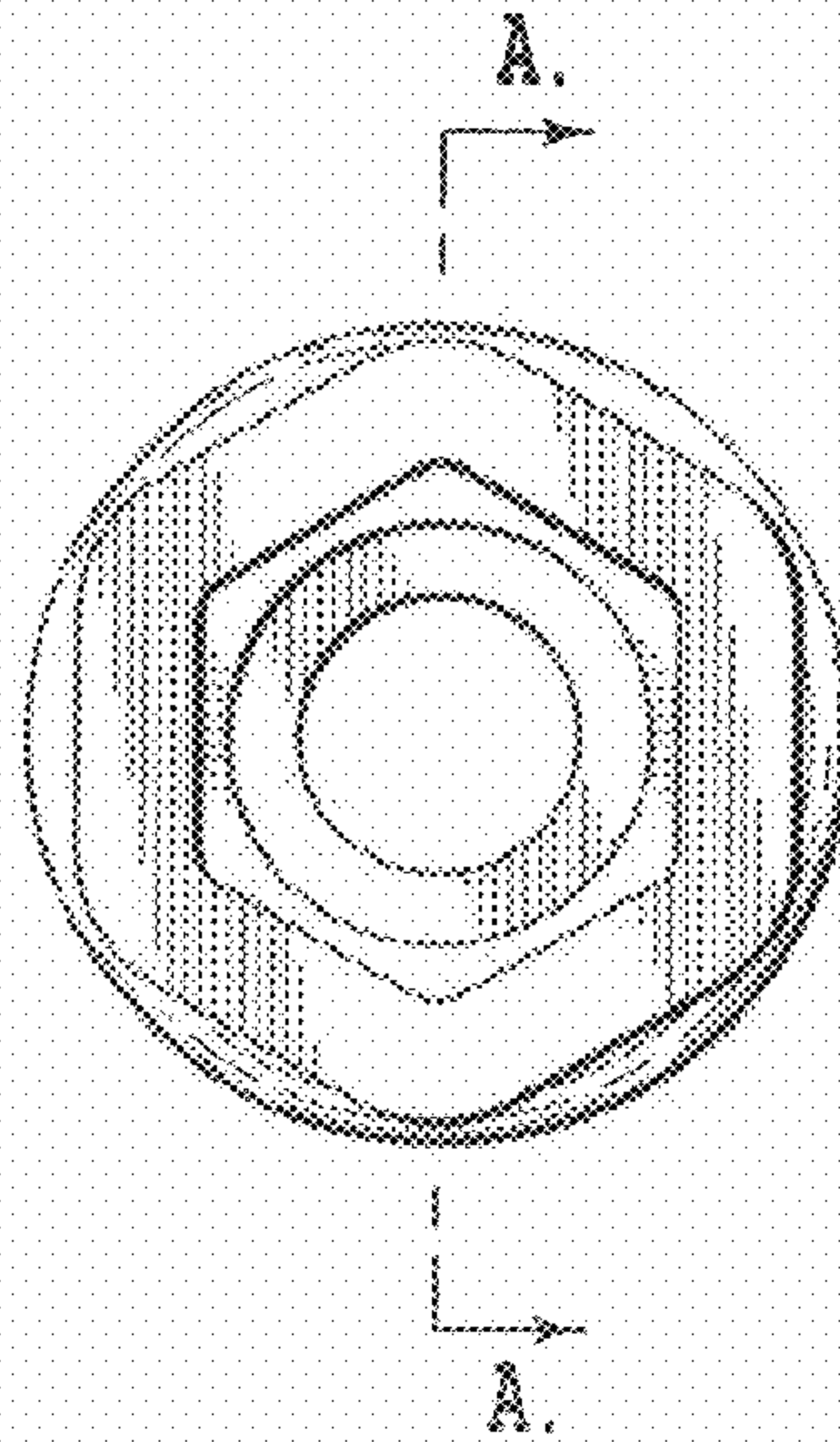


Fig. 3

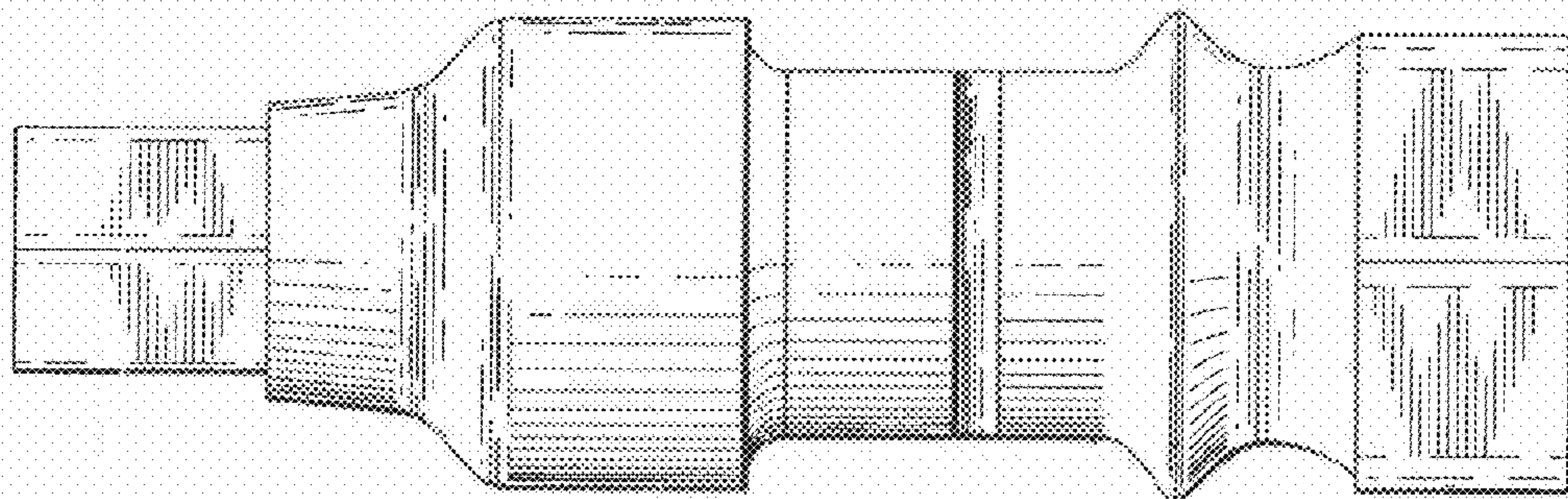


Fig. 4

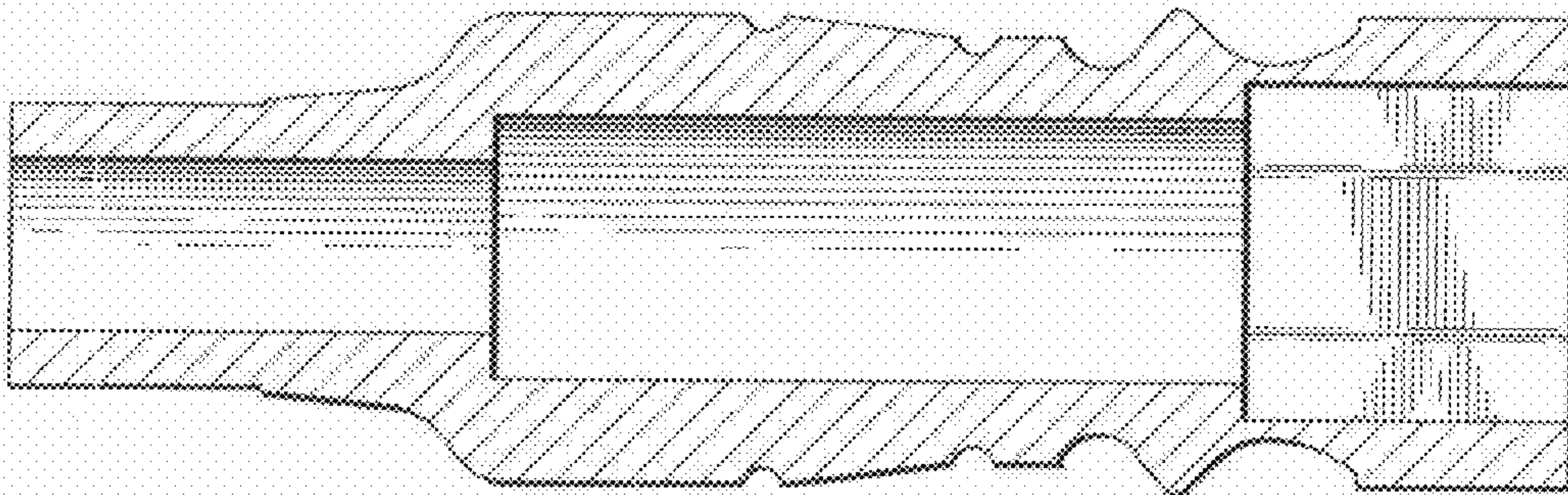


Fig. 5