



US00D606194S

(12) **United States Design Patent**
Frey et al.

(10) **Patent No.:** **US D606,194 S**
(45) **Date of Patent:** **** Dec. 15, 2009**

(54) **LASER OPERATION SHAFT**

D594,120 S * 6/2009 Berberich et al. D24/133

(75) Inventors: **Sebastian Frey**,
Villingen-Schwenningen (DE); **Elmar**
Teichtmann, Villingen-Schwenningen
(DE)

* cited by examiner

Primary Examiner—Antoine D Davis

(73) Assignee: **Karl Storz GmbH & Co. KG** (DE)

(74) *Attorney, Agent, or Firm*—St. Onge Steward Johnston &
Reens LLC

(**) Term: **14 Years**

(21) Appl. No.: **29/319,049**

(57) **CLAIM**

(22) Filed: **Jun. 3, 2008**

The ornamental design for a laser operation shaft, as shown
and described.

(30) **Foreign Application Priority Data**

Dec. 3, 2007 (EM) 000836523

DESCRIPTION

(51) **LOC (9) Cl.** **24-02**

(52) **U.S. Cl.** **D24/147; D24/108; D24/133;**
D24/146

FIG. 1 is a front perspective view of a laser operation shaft in
accordance with the new design;

(58) **Field of Classification Search** D10/63;
D24/108, 133, 146, 147; 604/21–22; 606/7,
606/10–15, 27, 28, 127, 128, 170, 180, 167–171
See application file for complete search history.

FIG. 2 is a left side view thereof;

FIG. 3 is a right side view thereof;

FIG. 4 is a top view thereof;

FIG. 5 is a bottom view thereof; and,

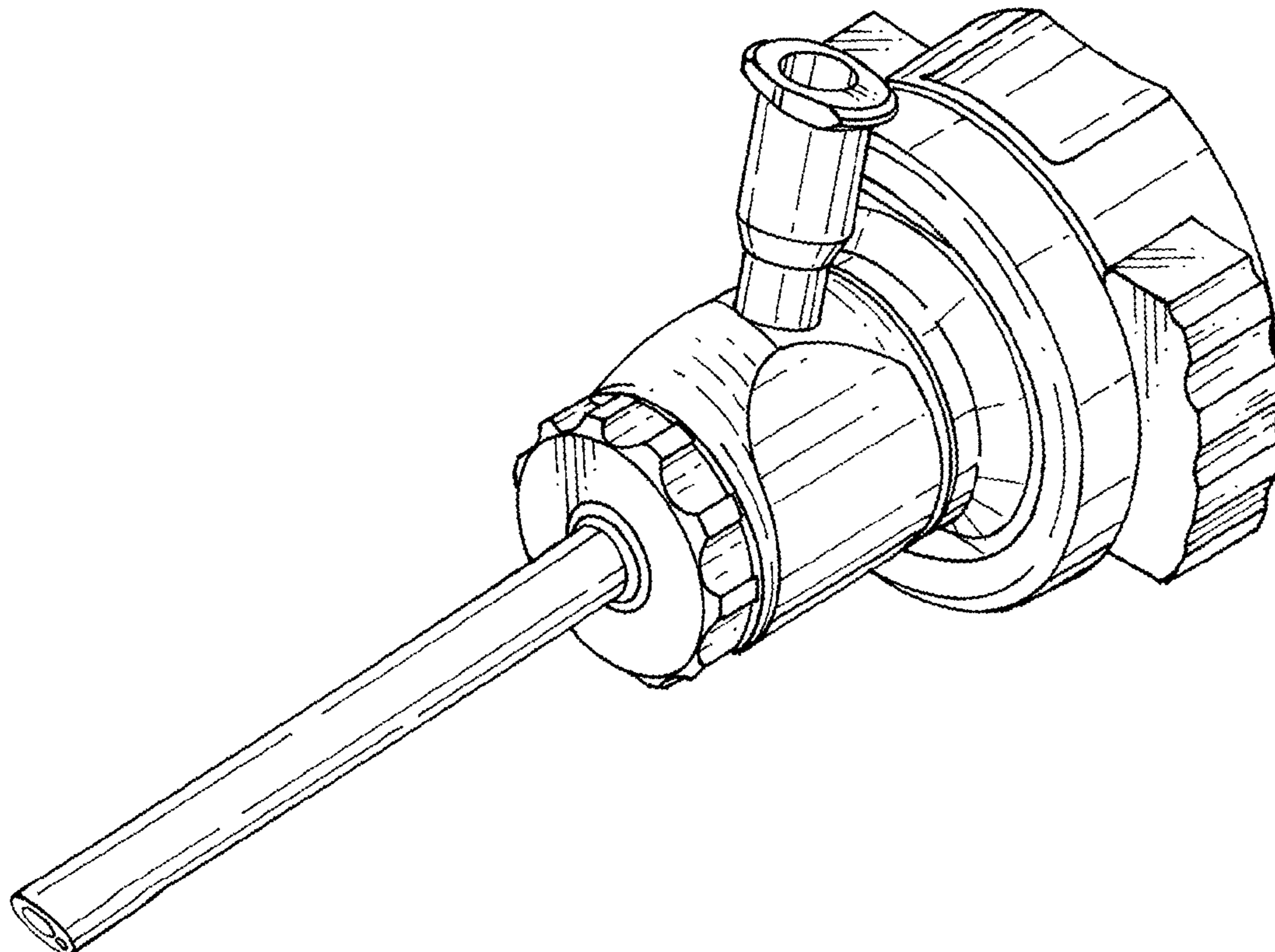
FIG. 6. is a front view thereof.

(56) **References Cited**

U.S. PATENT DOCUMENTS

D570,479 S * 6/2008 Rehbein et al. D24/133

1 Claim, 6 Drawing Sheets



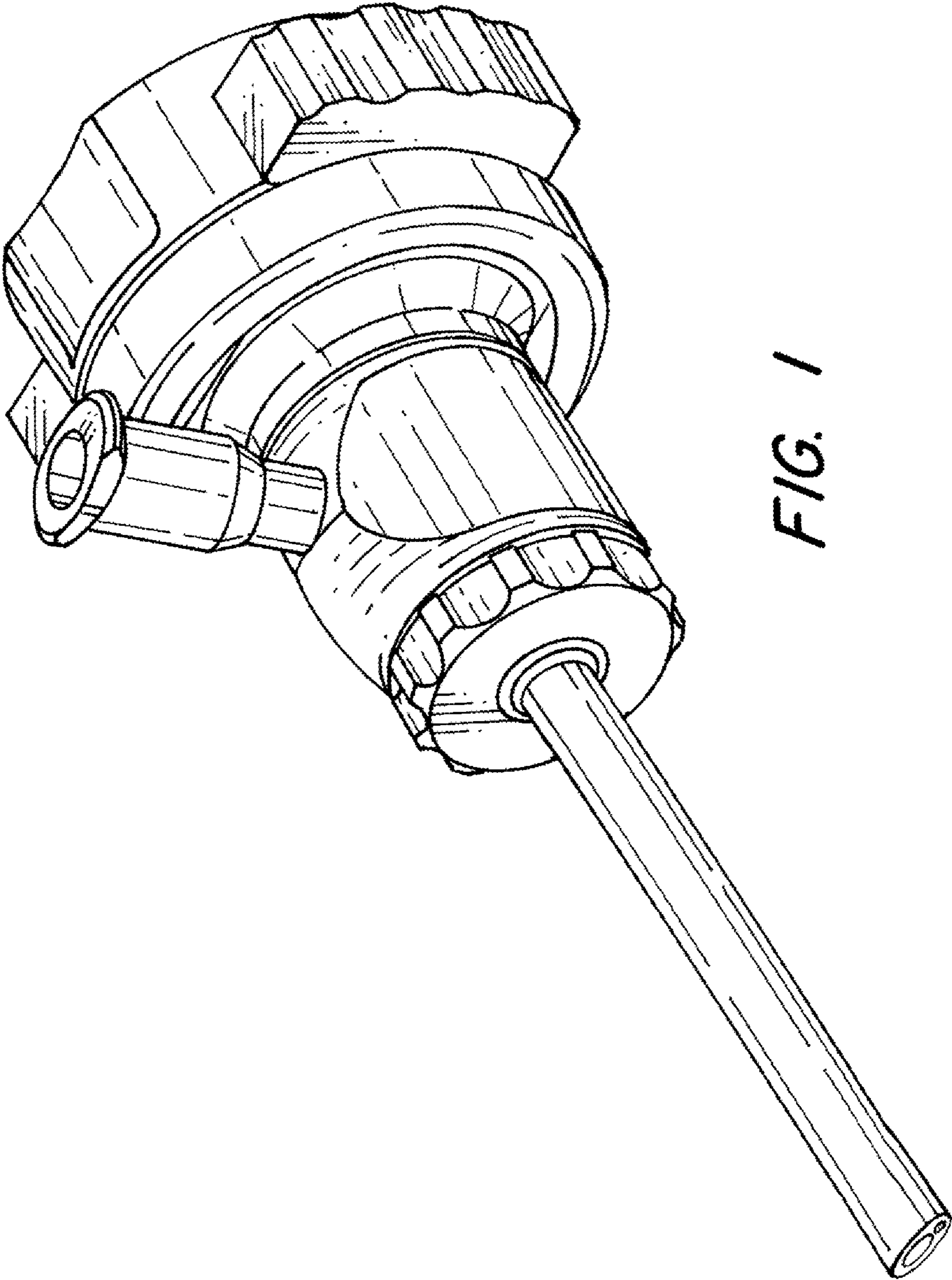


FIG. 1

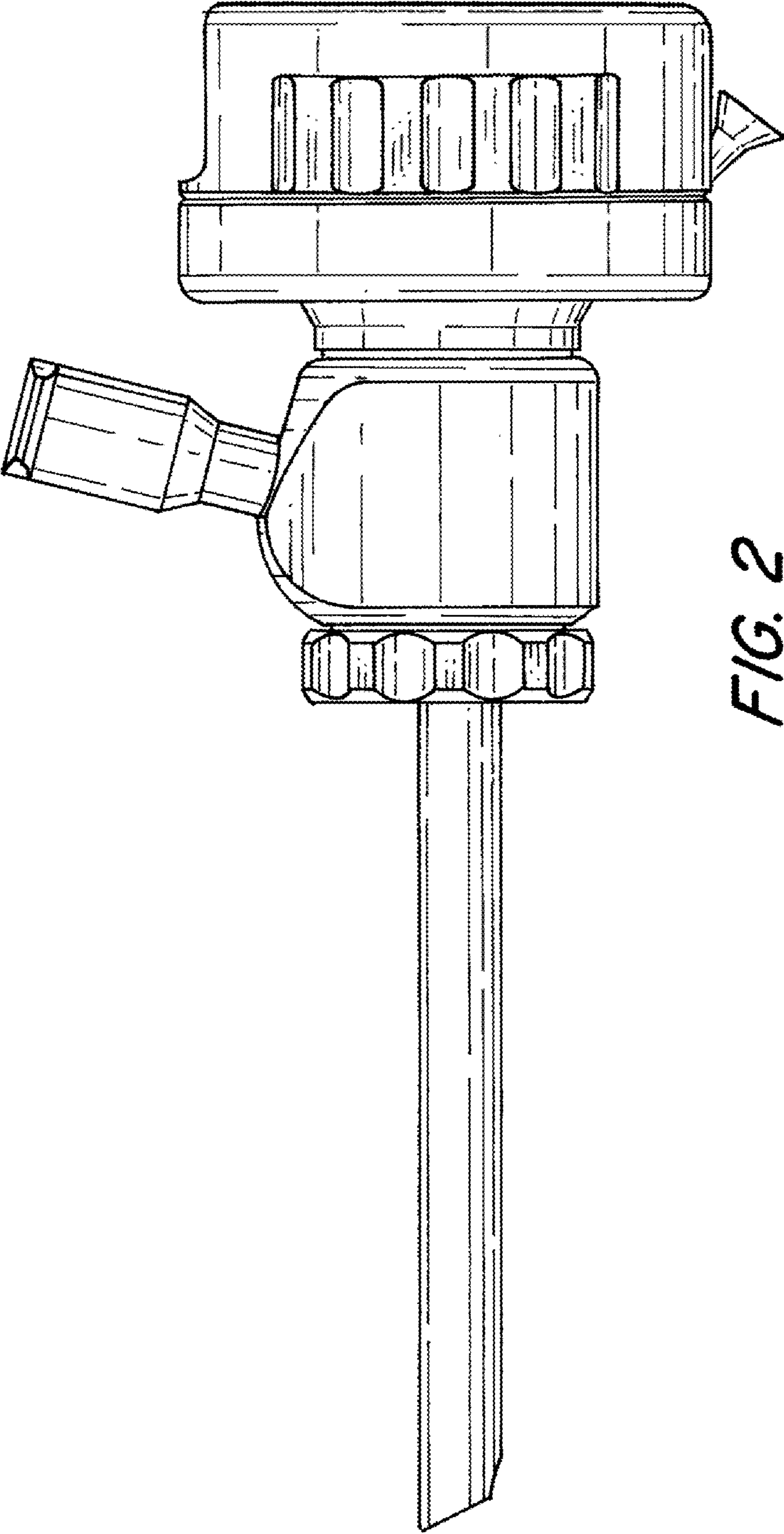


FIG. 2

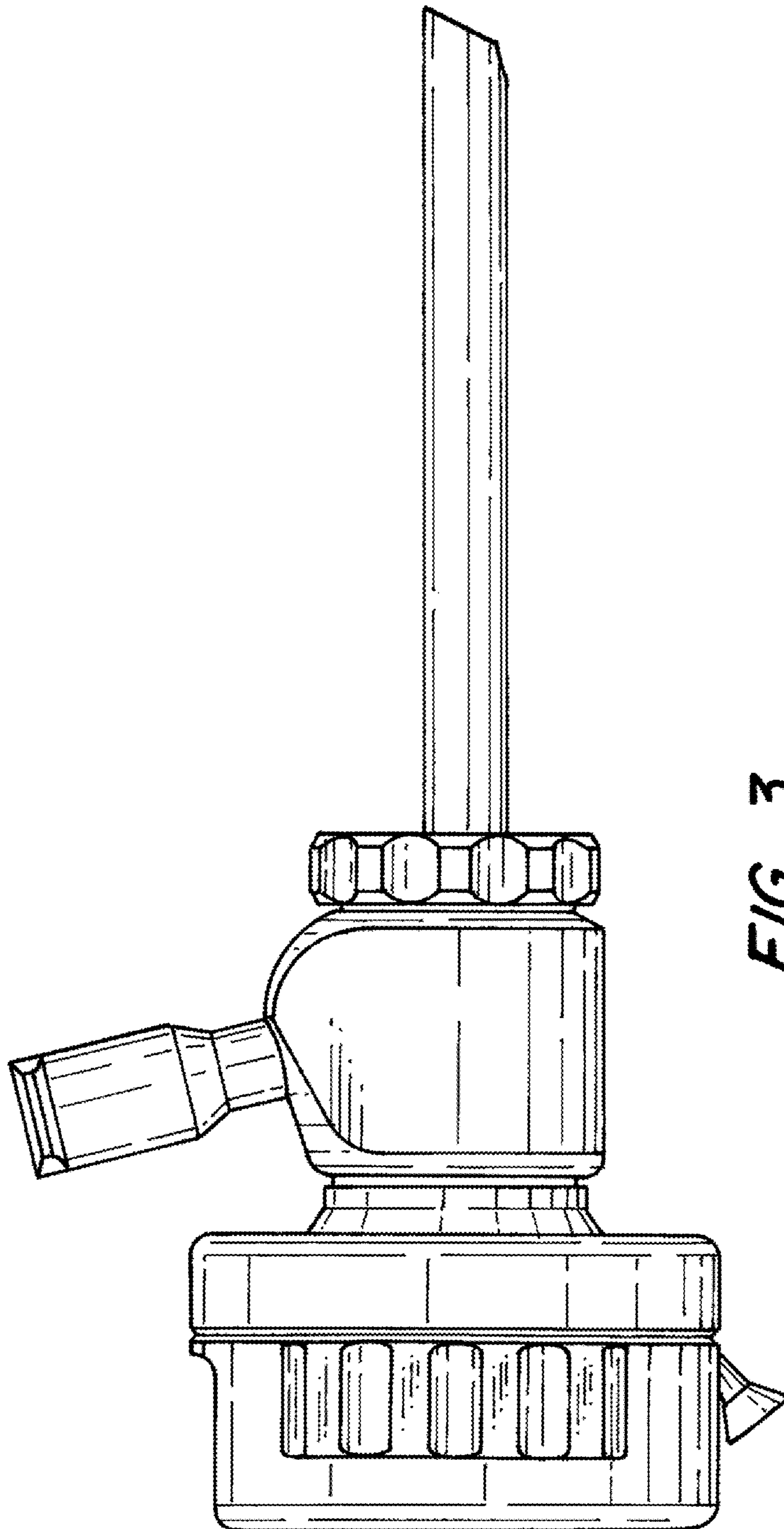


FIG. 3

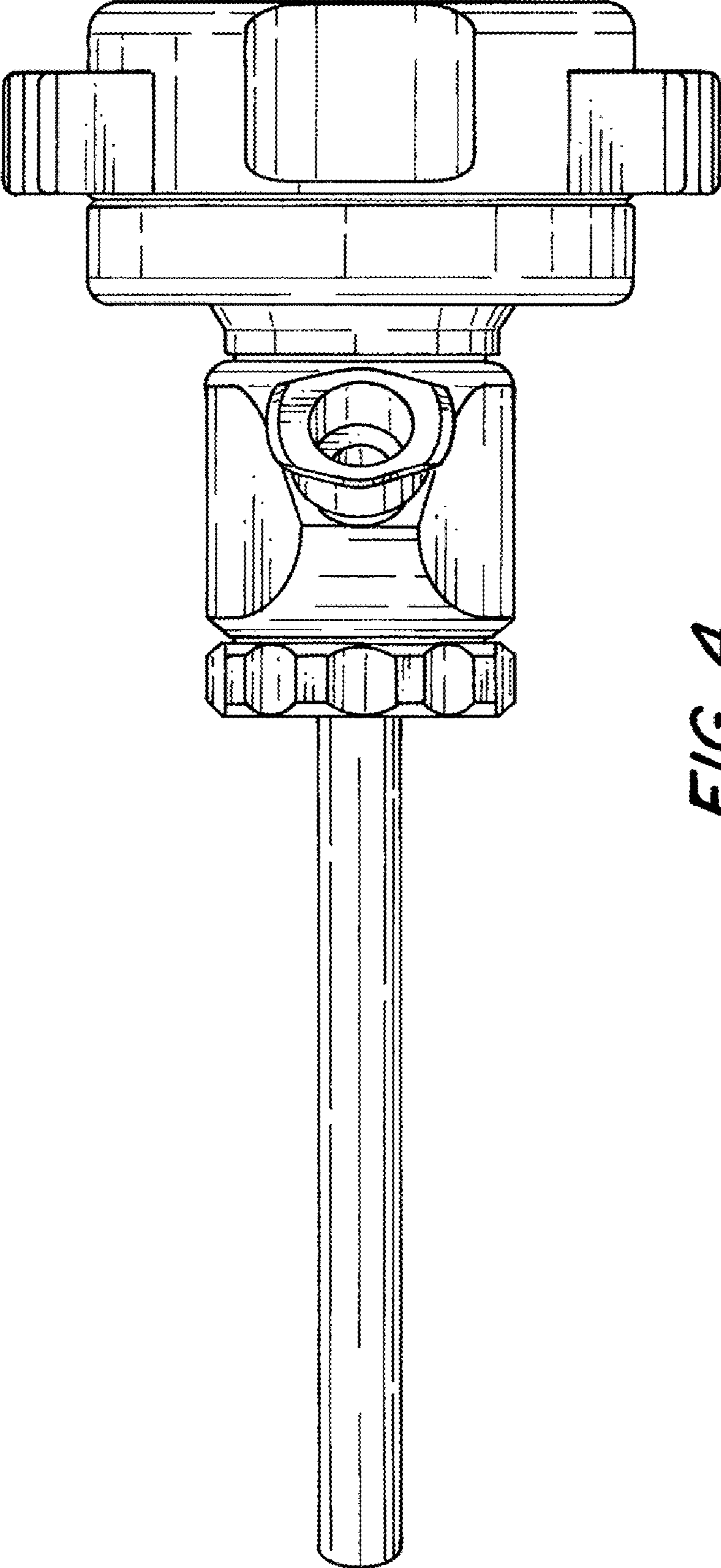


FIG. 4

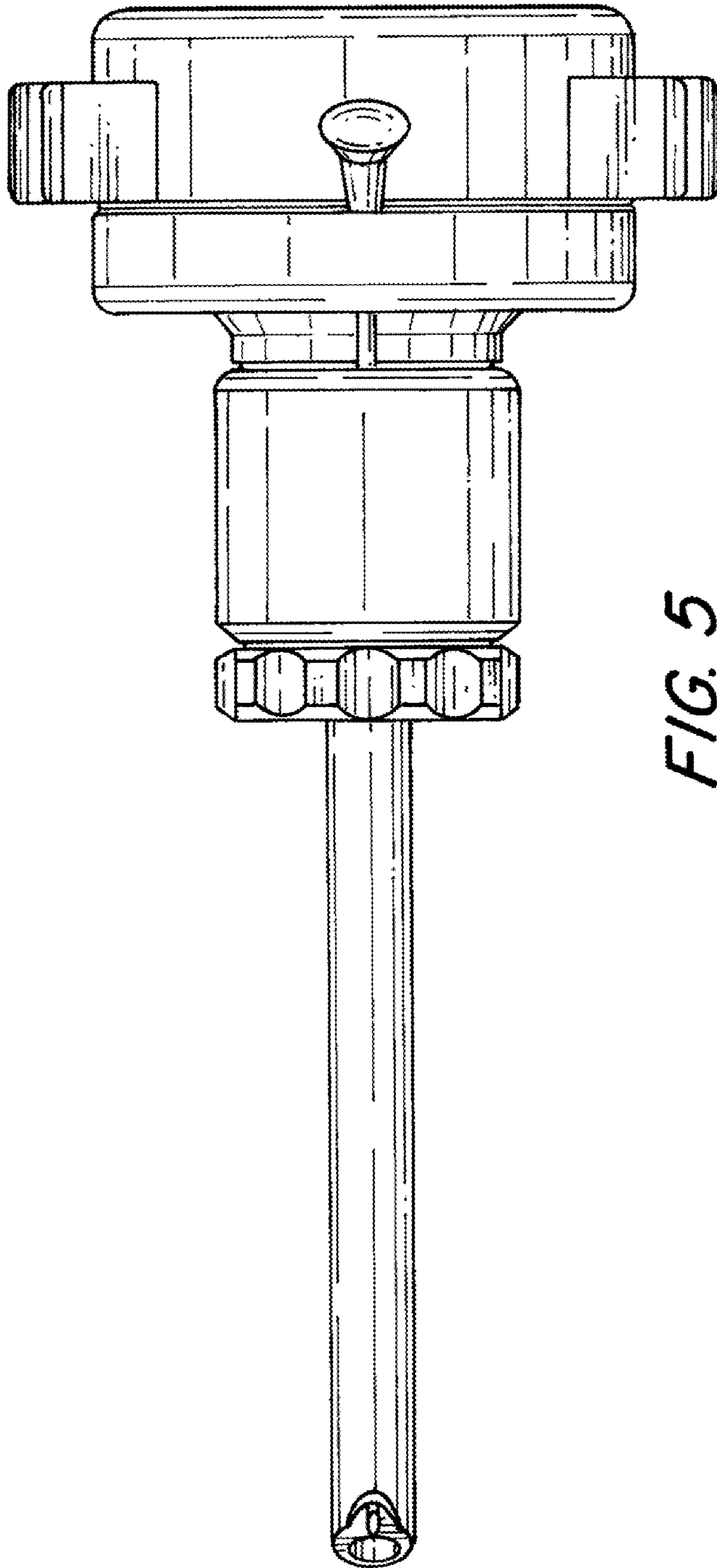


FIG. 5

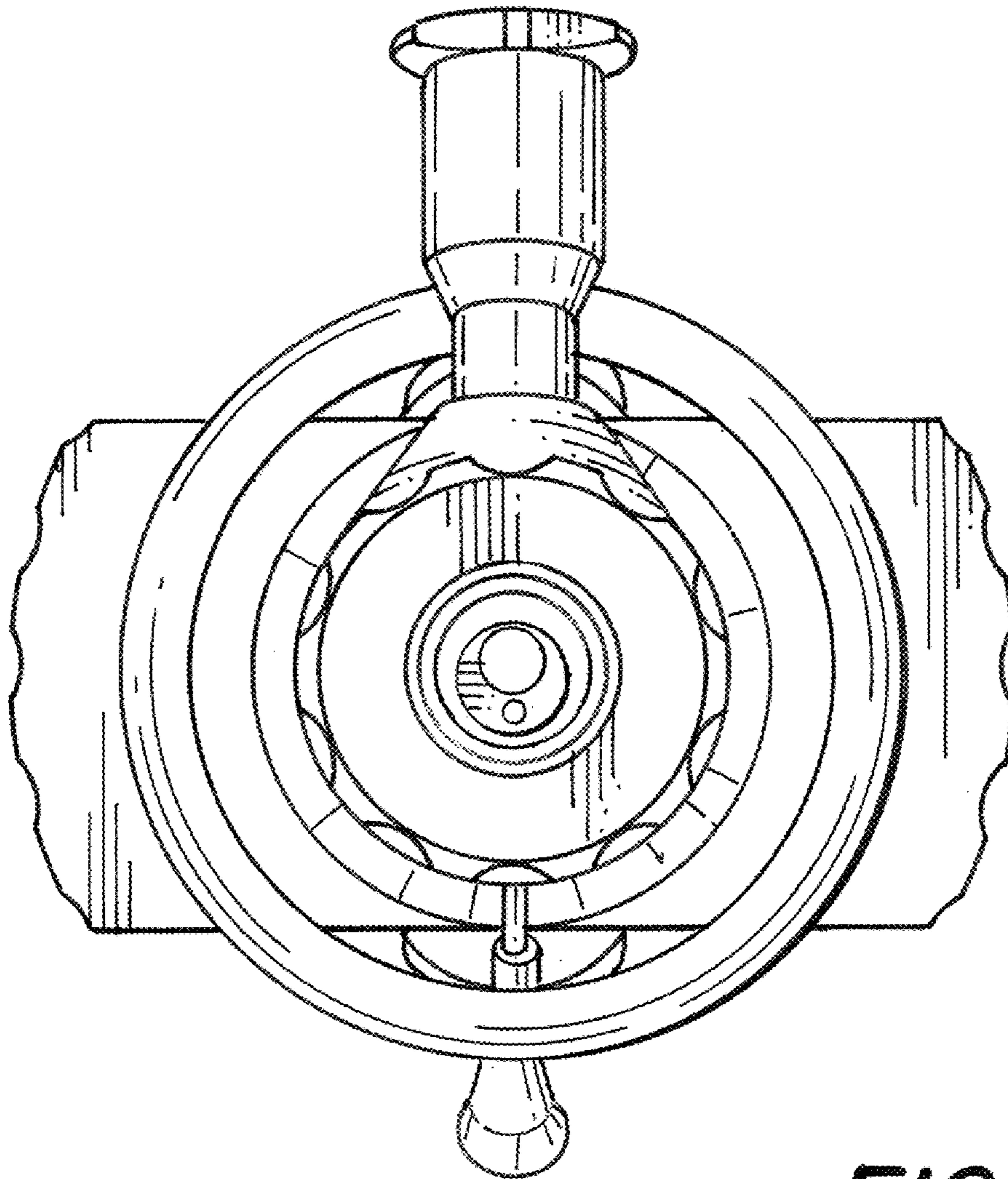


FIG. 6