



US00D606193S

(12) **United States Design Patent**  
**Oberlaender et al.**

(10) **Patent No.:** **US D606,193 S**

(45) **Date of Patent:** **\*\* Dec. 15, 2009**

(54) **TROCAR**

(75) Inventors: **Martin Oberlaender**, Engen (DE);  
**Michael Sauer**, Tuttlingen (DE); **Horst Semm**, Gruenwald (DE)

(73) Assignee: **Karl Storz GmbH & Co. KG** (DE)

(\*\*) Term: **14 Years**

(21) Appl. No.: **29/332,923**

(22) Filed: **Feb. 27, 2009**

(30) **Foreign Application Priority Data**

Aug. 29, 2008 (EM) ..... 000994058-0004

(51) **LOC (9) Cl.** ..... **24-02**

(52) **U.S. Cl.** ..... **D24/146**

(58) **Field of Classification Search** ..... D24/146-147;  
604/164.01, 165.01-165.04, 158-159, 168.01,  
604/184-185, 249, 256, 264-265, 272; 606/167,  
606/184-185

See application file for complete search history.

(56) **References Cited**

**U.S. PATENT DOCUMENTS**

5,354,280 A \* 10/1994 Haber et al. .... 604/167.03  
D362,066 S \* 9/1995 Petruschke et al. .... D24/146  
5,807,338 A \* 9/1998 Smith et al. .... 604/164.01  
5,941,852 A \* 8/1999 Dunlap et al. .... 604/164.11  
6,099,544 A \* 8/2000 Wolf et al. .... 606/185

D449,887 S \* 10/2001 Haberland et al. .... D24/146  
6,945,983 B2 \* 9/2005 Dittrich et al. .... 606/185  
6,989,003 B2 \* 1/2006 Wing et al. .... 604/161  
2007/0260275 A1 \* 11/2007 Ahlberg et al. .... 606/185  
2008/0009797 A1 \* 1/2008 Stellan et al. .... 604/164.08  
2008/0009894 A1 \* 1/2008 Smith ..... 606/185  
2009/0093833 A1 \* 4/2009 Smith ..... 606/185  
2009/0093835 A1 \* 4/2009 Heinrich et al. .... 606/190  
2009/0177141 A1 \* 7/2009 Kucklick ..... 604/35

\* cited by examiner

*Primary Examiner*—Ian Simmons

*Assistant Examiner*—Wan Laymon

(74) *Attorney, Agent, or Firm*—St. Onge Steward Johnston & Reens LLC

(57) **CLAIM**

The ornamental design for a trocar, as shown and described.

**DESCRIPTION**

FIG. 1 is a left side perspective view of a trocar in accordance with the new design;

FIG. 2 is a left side view thereof;

FIG. 3 is a right side view thereof;

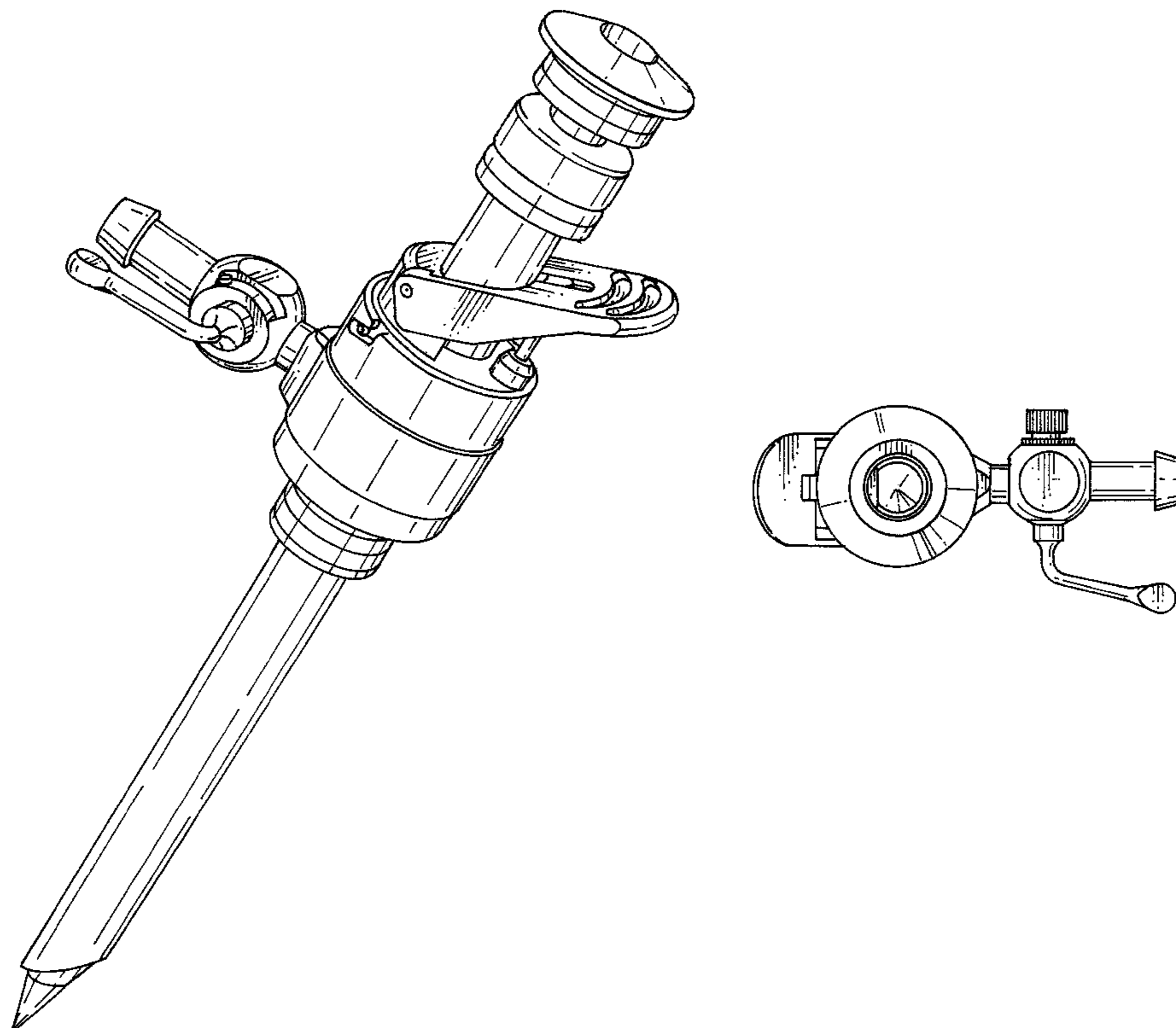
FIG. 4 is a top view thereof;

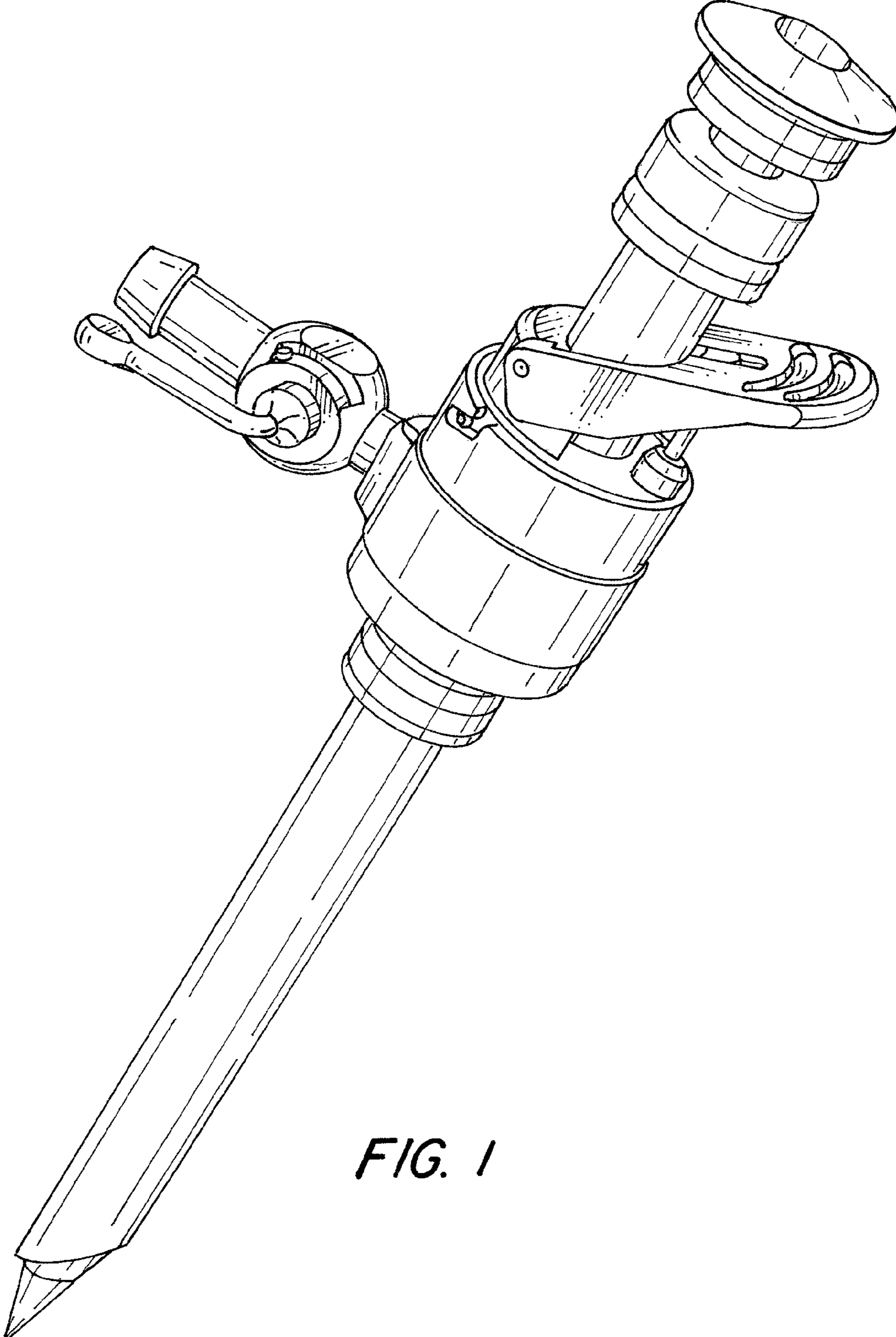
FIG. 5 is a bottom view thereof;

FIG. 6 is a rear view thereof; and,

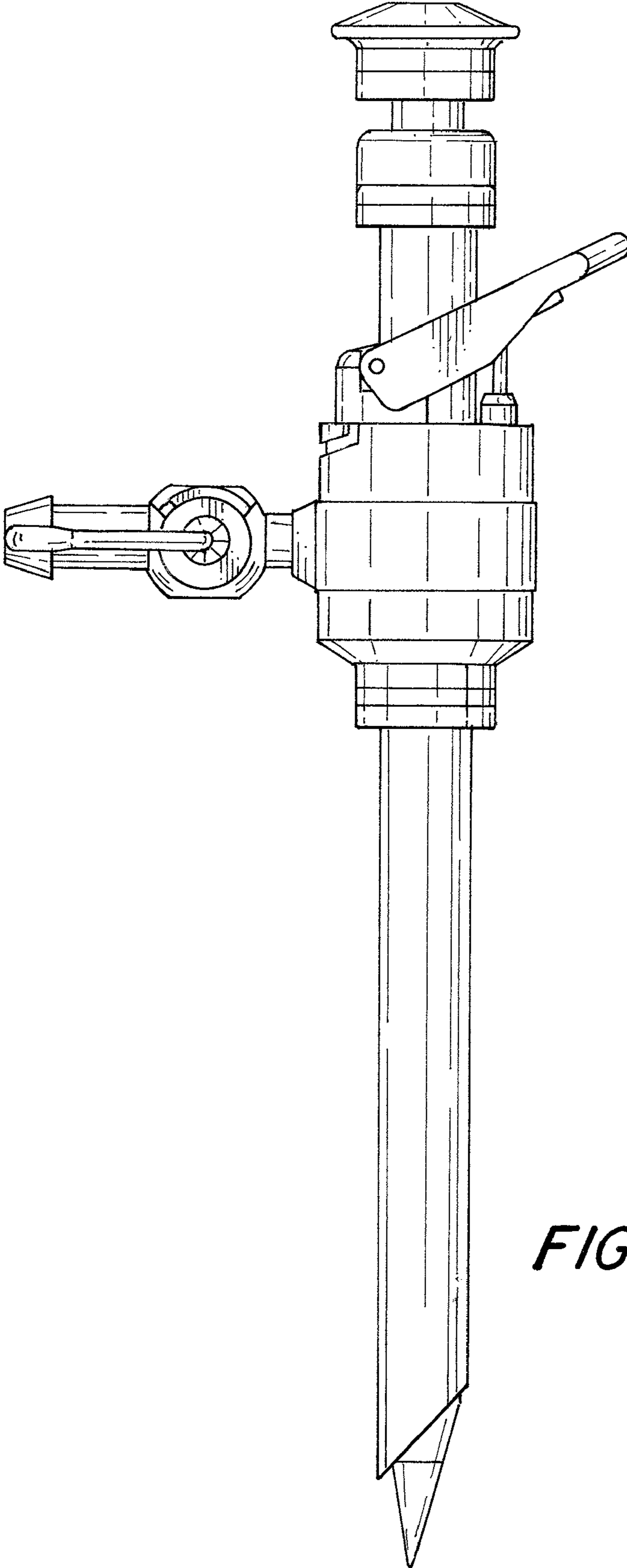
FIG. 7 is a front view thereof.

**1 Claim, 6 Drawing Sheets**

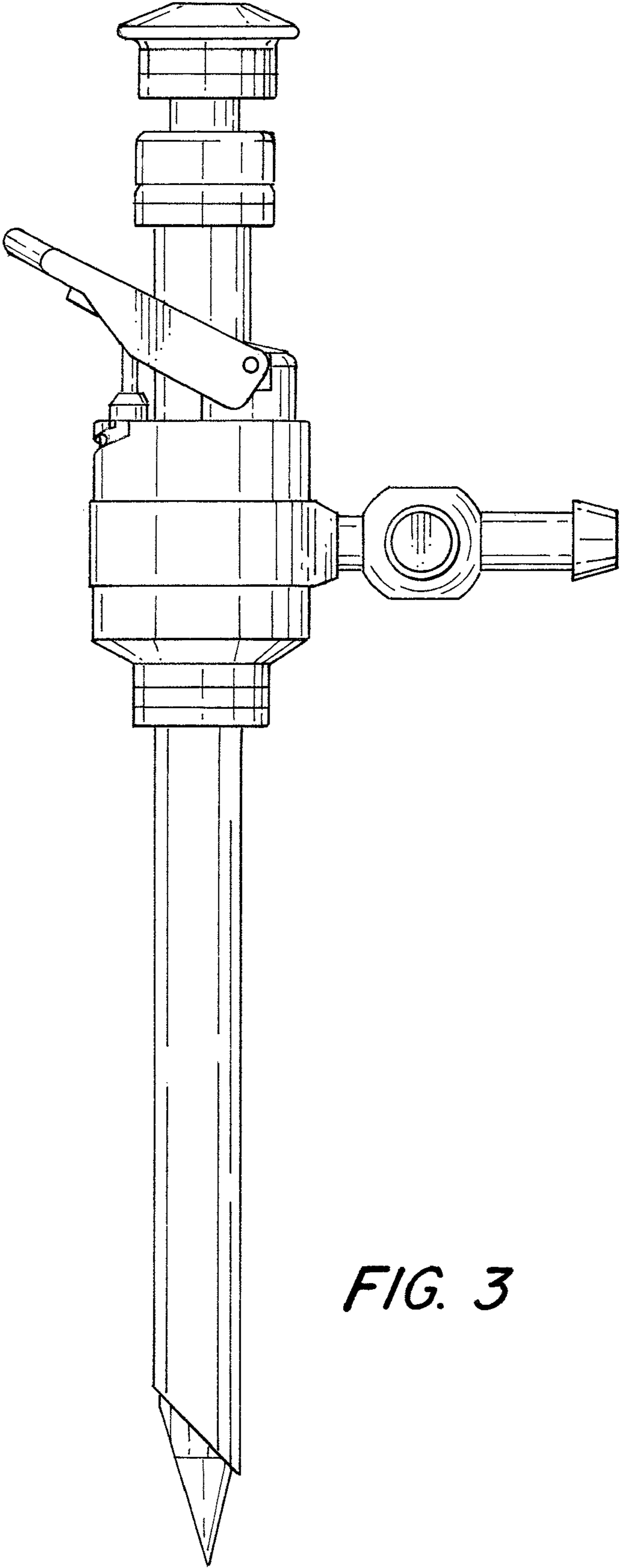




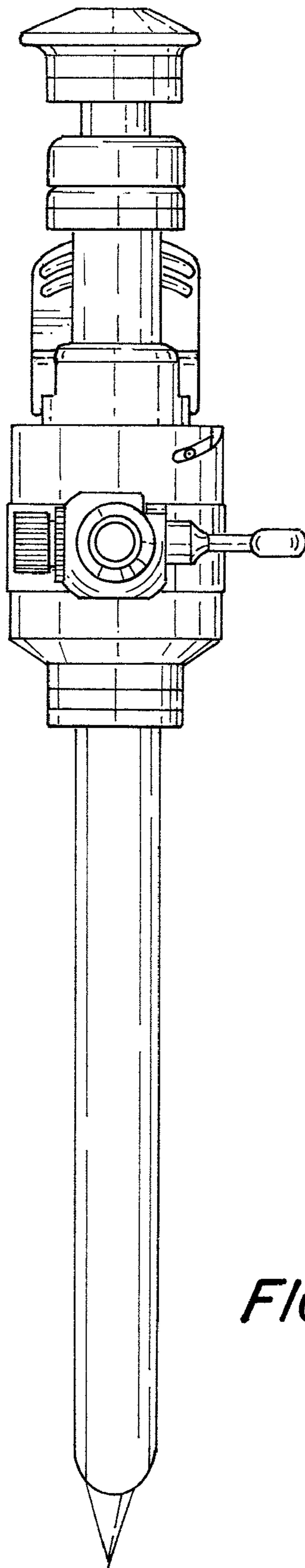
*FIG. 1*



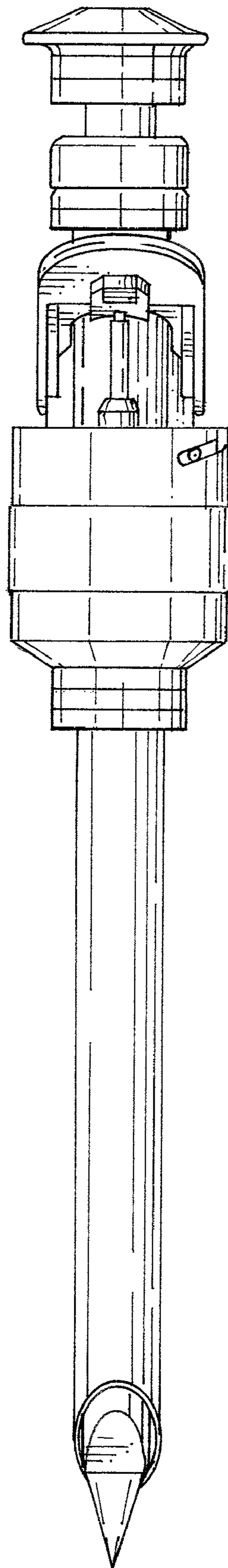
*FIG. 2*



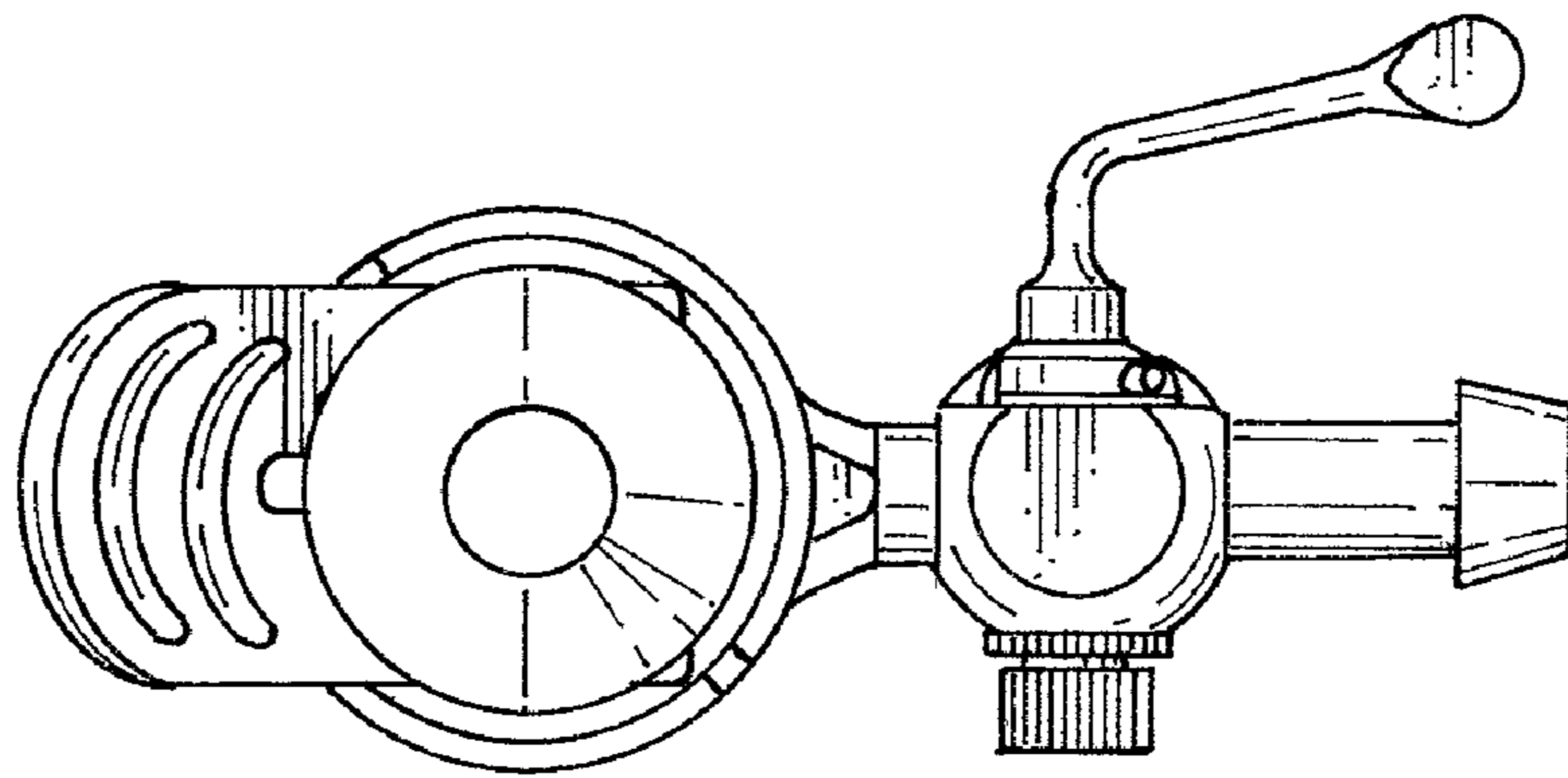
*FIG. 3*



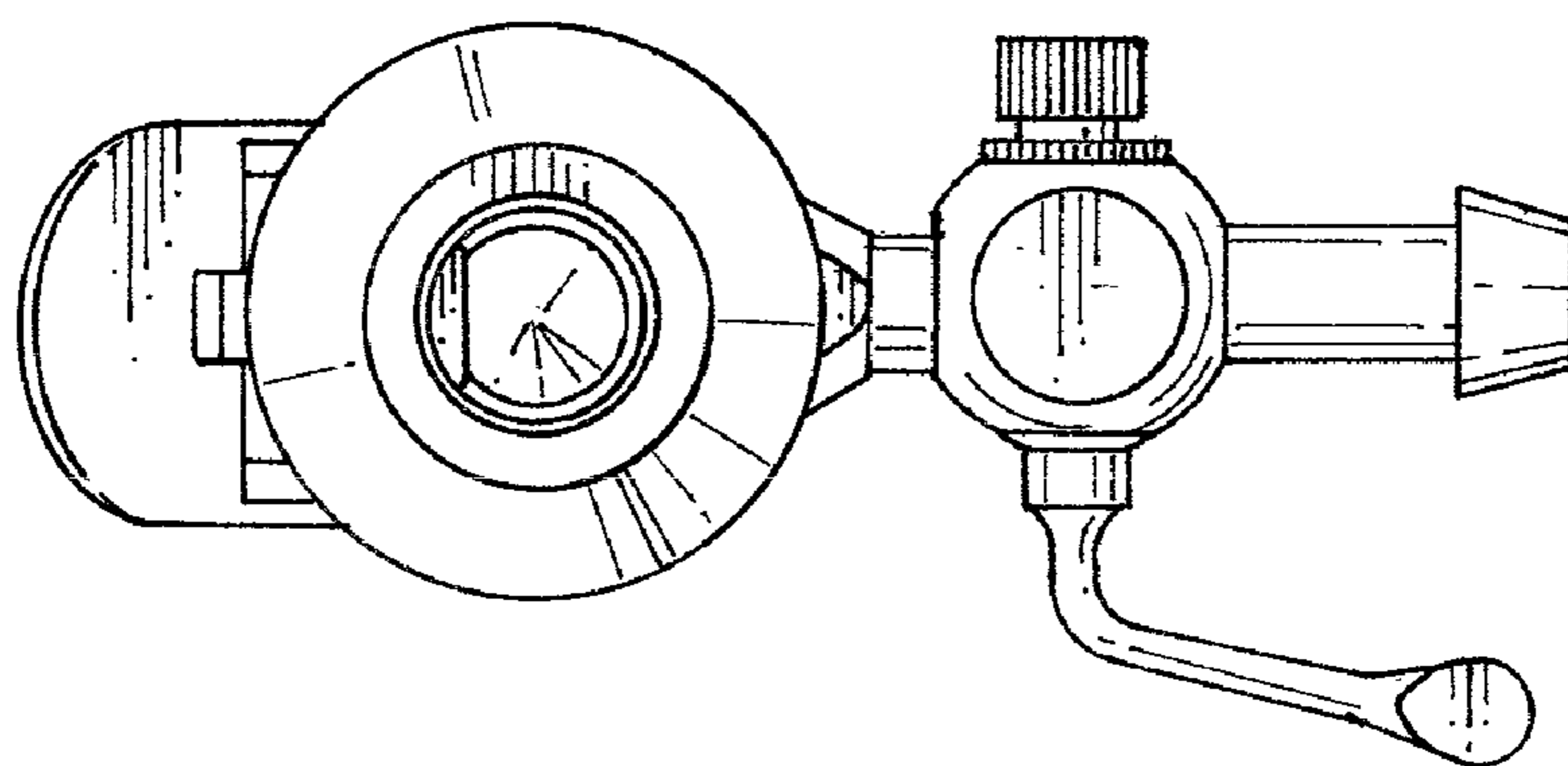
*FIG. 4*



*FIG. 5*



*FIG. 6*



*FIG. 7*