



US00D606192S

(12) **United States Design Patent**  
**Summerer et al.**

(10) **Patent No.:** **US D606,192 S**

(45) **Date of Patent:** **\*\* Dec. 15, 2009**

(54) **HANDLE FOR MEDICAL INSTRUMENT**

D568,993 S \* 5/2008 Melanson et al. .... D24/133  
D594,983 S \* 6/2009 Price et al. .... D24/145

(75) Inventors: **Sabine Summerer**, Tuttlingen (DE);  
**Uwe Bacher**, Tuttlingen (DE)

\* cited by examiner

(73) Assignee: **Karl Storz GmbH & Co. KG** (DE)

*Primary Examiner*—Lisa P Lichtenstein

(\*\*) Term: **14 Years**

(74) *Attorney, Agent, or Firm*—St. Onge Steward Johnston &  
Reens LLC

(21) Appl. No.: **29/328,926**

(57) **CLAIM**

(22) Filed: **Dec. 4, 2008**

The ornamental design for a handle for medical instrument, as shown and described.

(30) **Foreign Application Priority Data**

**DESCRIPTION**

Jun. 4, 2008 (EM) ..... 000946199

FIG. 1 is a rear isometric view of a handle for medical instrument in accordance with the new design;

(51) **LOC (9) Cl.** ..... **24-02**

FIG. 2 is a right side view thereof;

(52) **U.S. Cl.** ..... **D24/133**

FIG. 3 is a left side view thereof;

(58) **Field of Classification Search** ..... D24/133,  
D24/138, 143, 146, 147; 606/167, 174  
See application file for complete search history.

FIG. 4 is a front view thereof;

FIG. 5 is a rear view thereof;

(56) **References Cited**

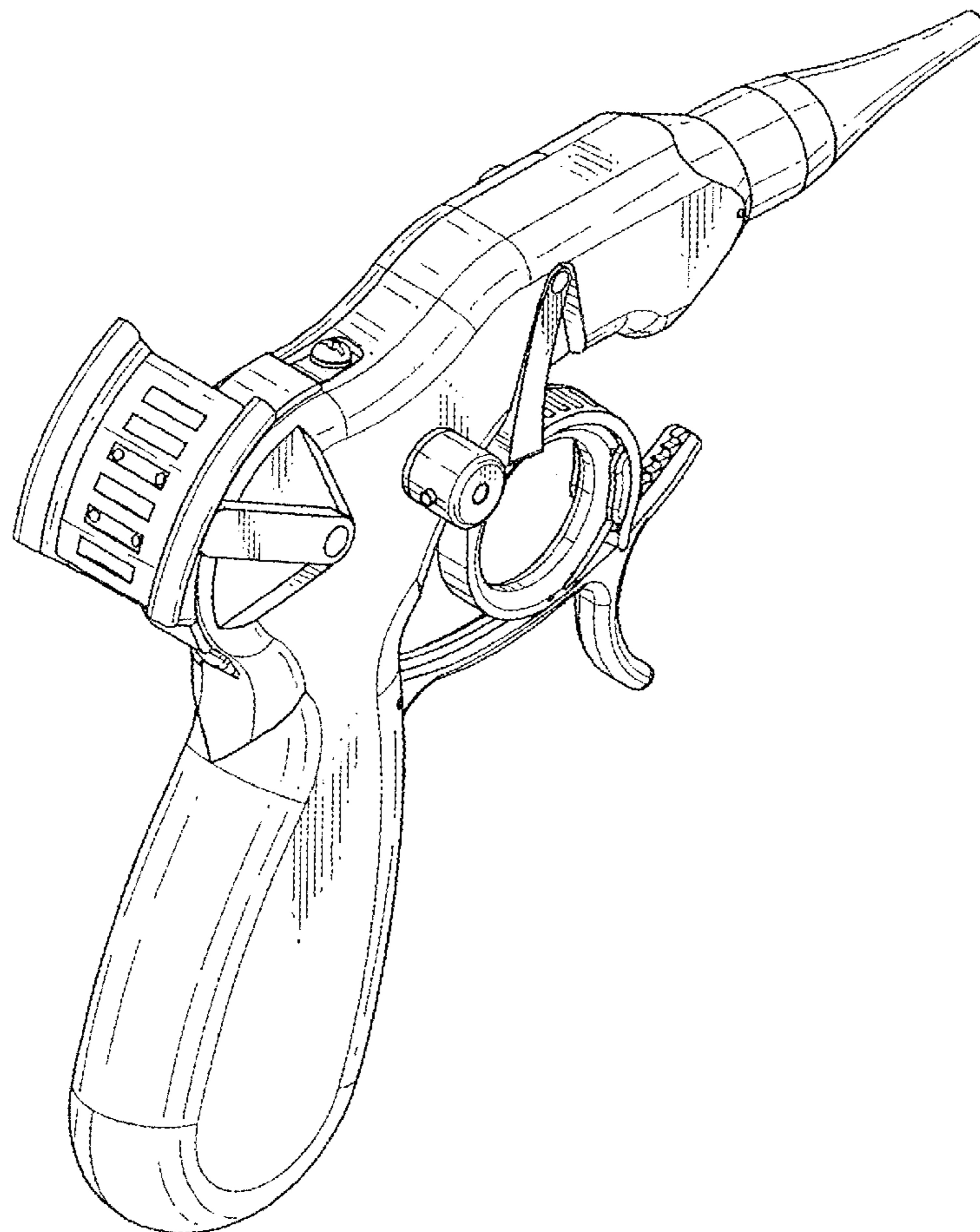
FIG. 6 is a top view thereof; and,

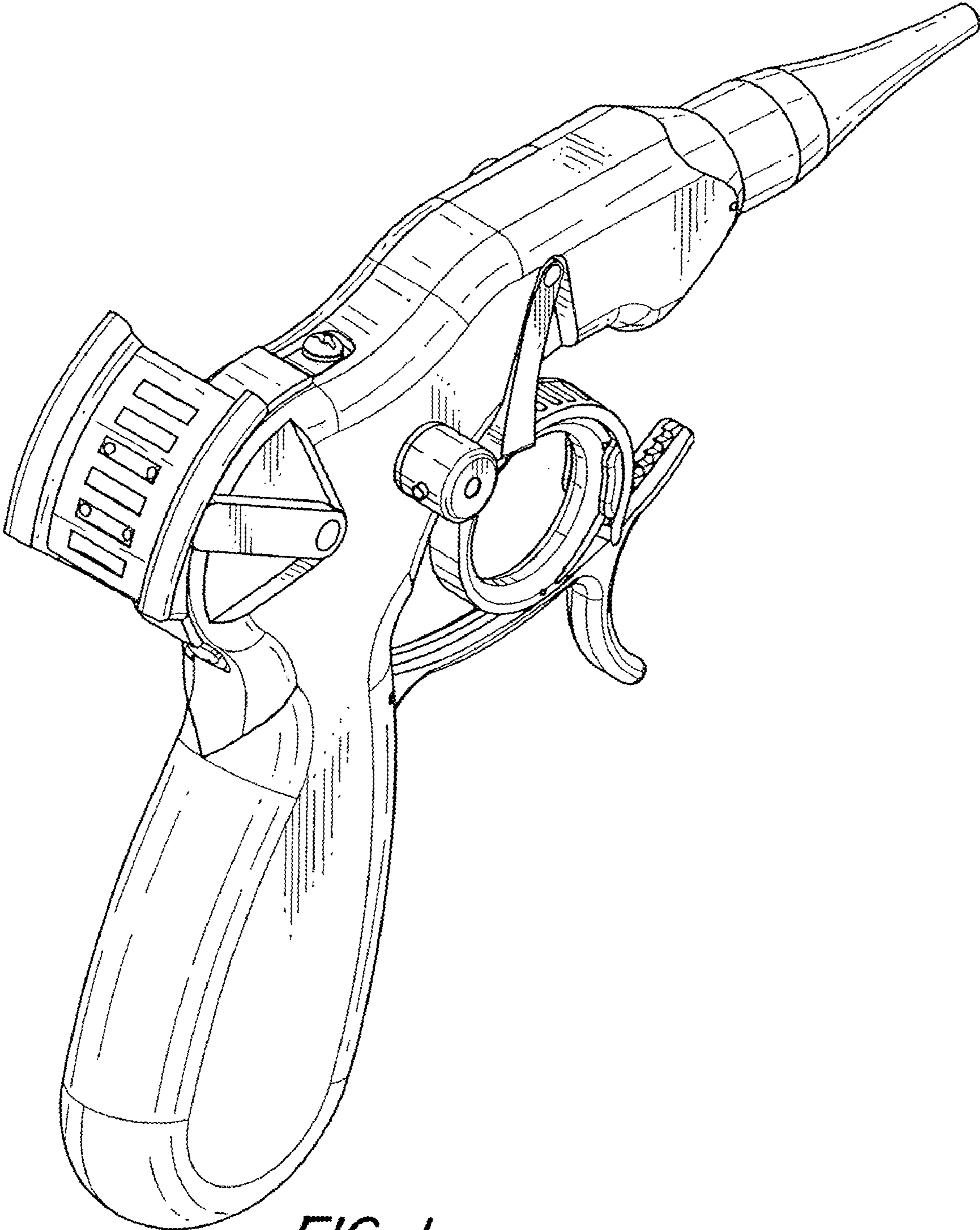
FIG. 7 is a bottom view thereof.

**U.S. PATENT DOCUMENTS**

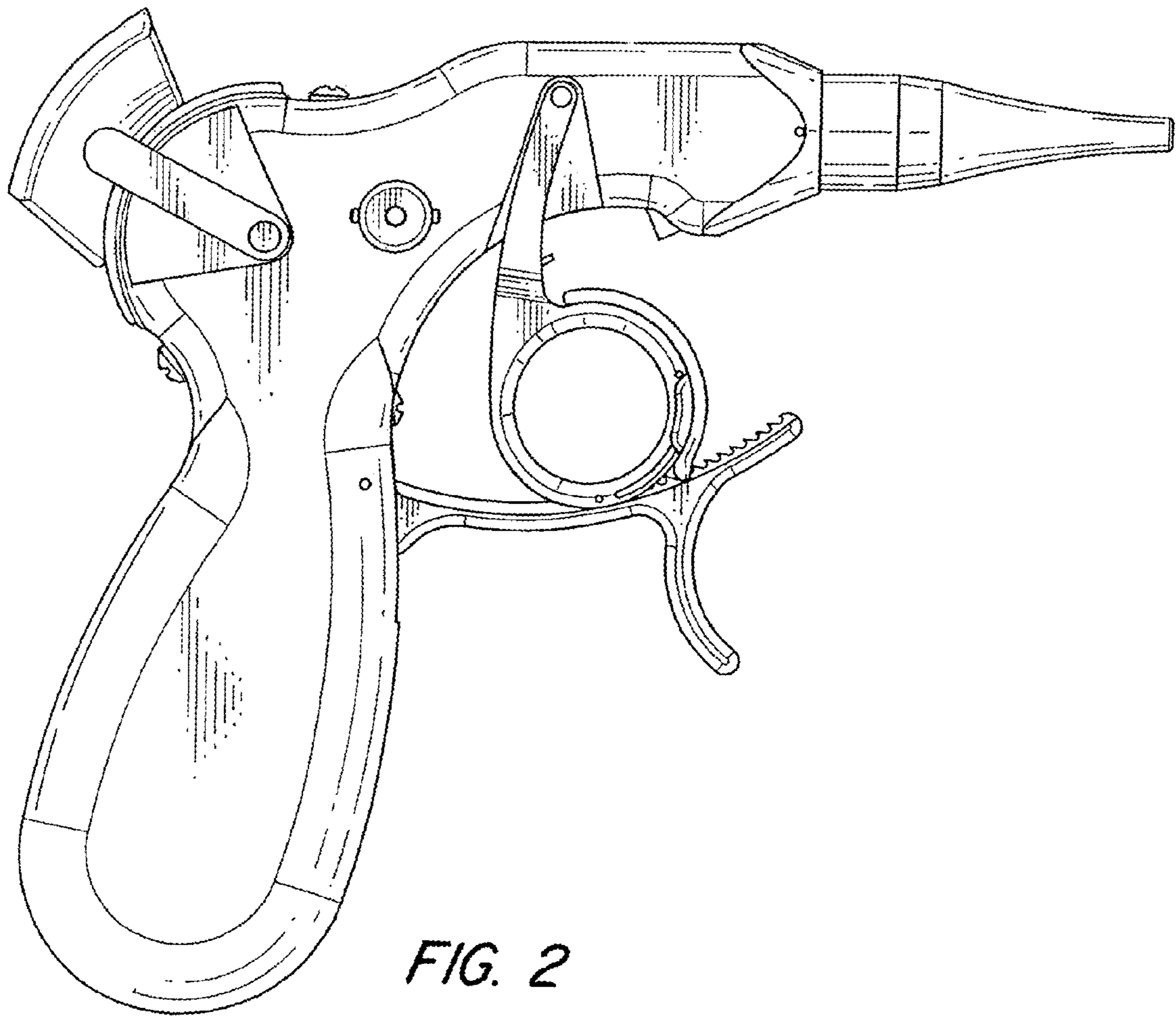
D345,212 S \* 3/1994 Brancel et al. .... D24/143

**1 Claim, 7 Drawing Sheets**





*FIG. 1*



*FIG. 2*

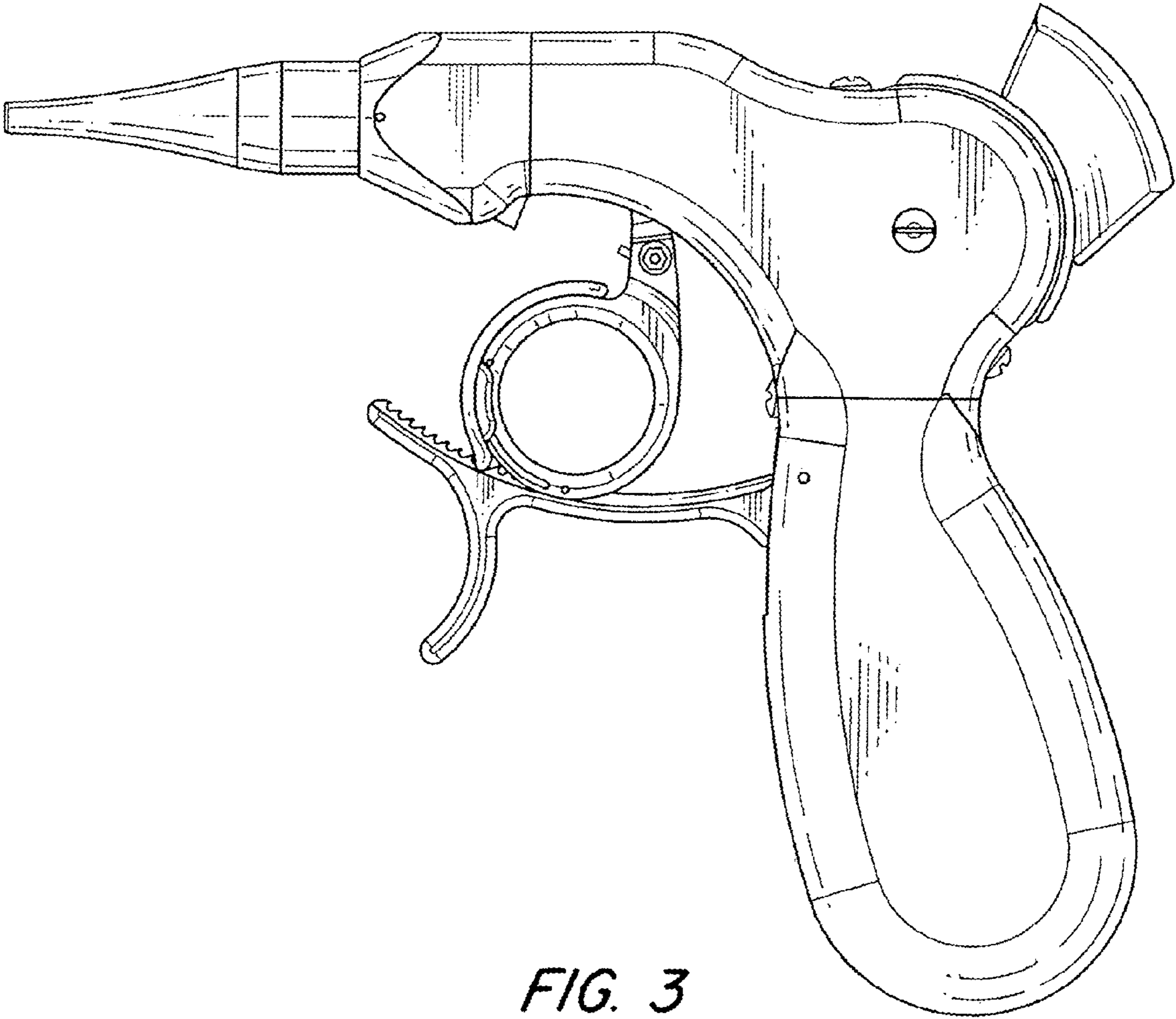
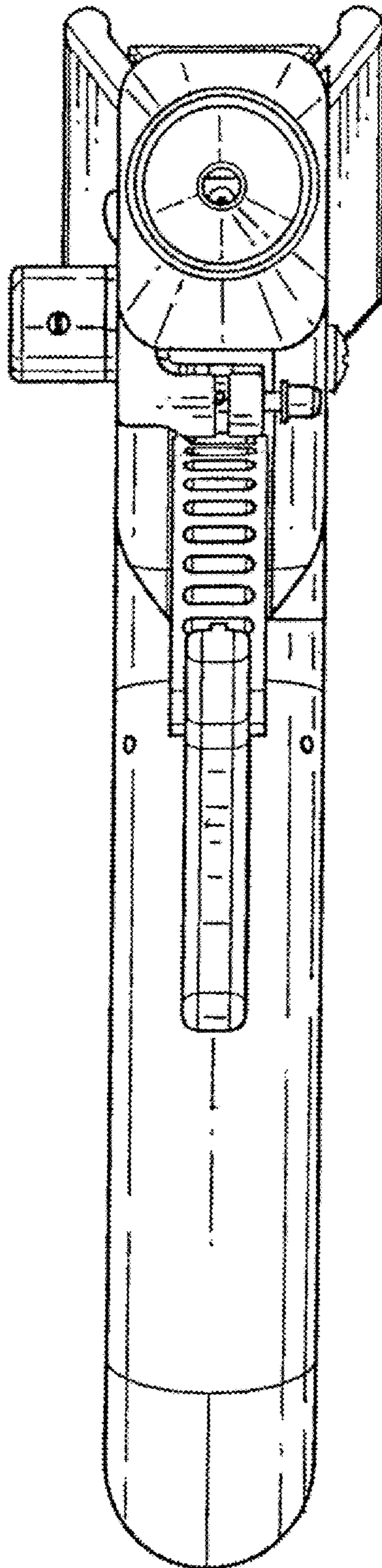
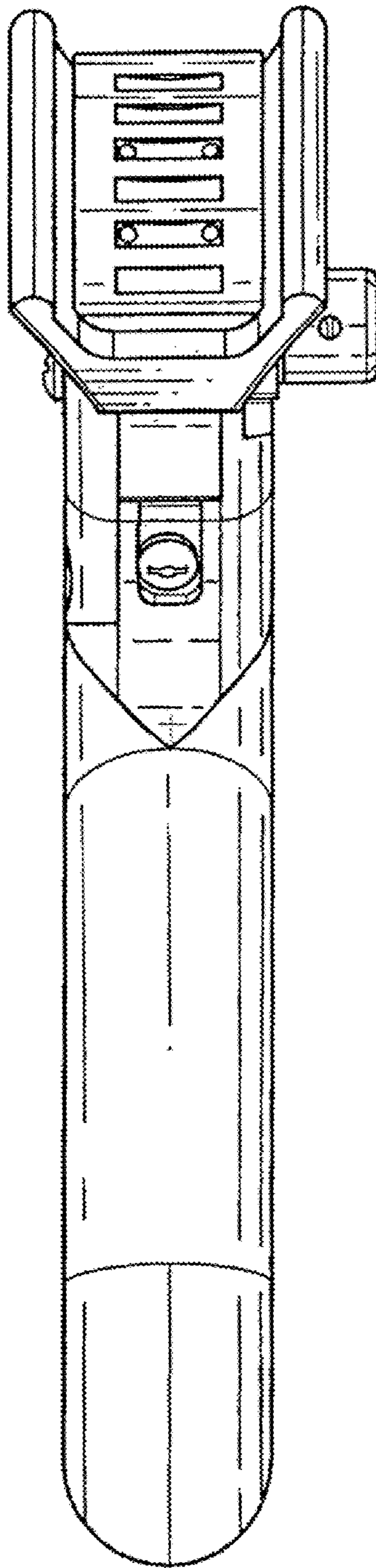


FIG. 3



*FIG. 4*



*FIG. 5*

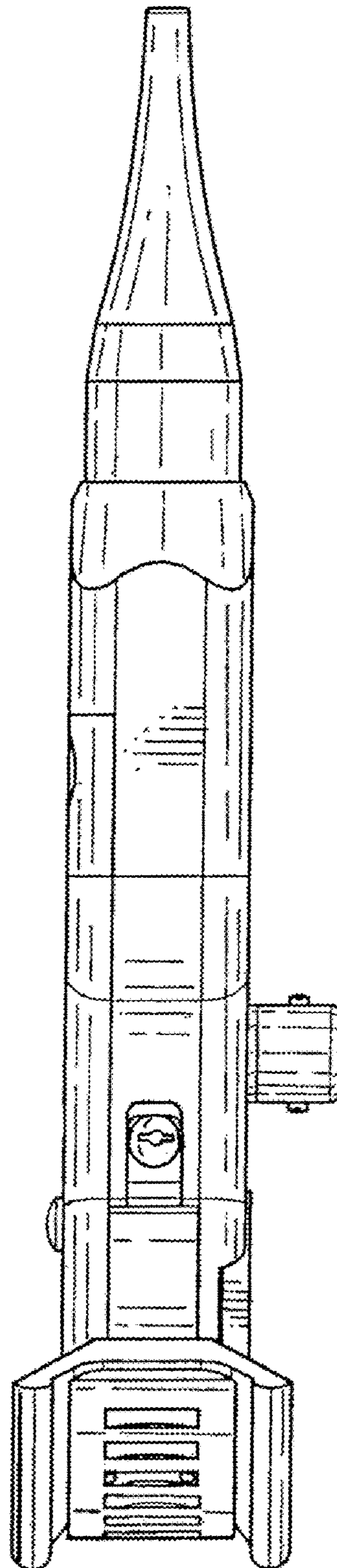
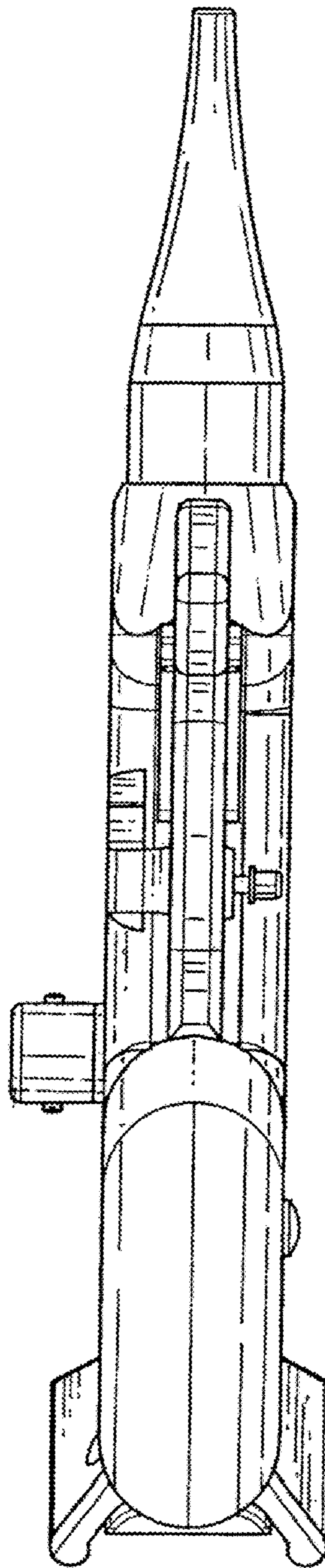


FIG. 6



*FIG. 7*