



US00D606186S

(12) **United States Design Patent**  
**Routh**

(10) **Patent No.:** **US D606,186 S**

(45) **Date of Patent:** **\*\* \*Dec. 15, 2009**

(54) **ROOF PIPE BOOT**

(76) Inventor: **Ryan W. Routh**, 2601 Husband St.,  
Greensboro, NC (US) 27407

(\*) Notice: This patent is subject to a terminal disclaimer.

(\*\*) Term: **14 Years**

(21) Appl. No.: **29/291,162**

(22) Filed: **Aug. 16, 2007**

(51) **LOC (9) Cl.** ..... **23-04**

(52) **U.S. Cl.** ..... **D23/393**

(58) **Field of Classification Search** ..... D23/393,  
D23/373, 374, 259, 386; 285/42, 43, 44;  
52/219, 199, 58; 454/242, 250, 30, 3, 5  
See application file for complete search history.

(56) **References Cited**

U.S. PATENT DOCUMENTS

580,515 A	4/1897	Weeden	285/44
917,167 A	4/1909	Shaw	285/43
1,258,884 A	3/1918	Fife	285/4
1,287,235 A	12/1918	Cole	285/44
1,317,446 A	9/1919	Hollaender, Jr.	285/44
1,317,574 A	9/1919	Grosvold	285/44
1,587,250 A *	6/1926	Stephenson	285/44
1,615,929 A	2/1927	Buckles et al.	285/43
1,626,808 A *	5/1927	Gibson	285/43
1,875,640 A	9/1932	Moore	285/44
2,347,836 A	5/1944	Moore	285/289.1
2,510,926 A	6/1950	Goldstein	285/43
2,985,465 A	5/1961	Church	285/42
3,098,663 A	7/1963	Dibley	285/43
RE26,026 E	5/1966	Dibley	285/43
3,313,559 A	4/1967	Kifer	285/43
3,602,530 A	8/1971	Elwart	160/98
3,677,576 A	7/1972	Gustafson	285/43
3,731,952 A	5/1973	Elwart	285/3
3,807,110 A	4/1974	Kaminski	52/219
4,010,578 A	3/1977	Logsdon	52/58
4,120,129 A	10/1978	Nagler et al.	52/219
D252,703 S	8/1979	Cupit	D23/42

4,211,423 A	7/1980	Resech	277/636
4,265,058 A	5/1981	Logsdon	52/58
4,333,660 A	6/1982	Cupit	277/630
4,386,488 A *	6/1983	Gibbs	52/199
4,563,847 A	1/1986	Hasty	52/219
4,809,468 A	3/1989	Bareiss	52/22
D307,046 S *	4/1990	Burgess et al.	D23/259
5,080,007 A *	1/1992	Maheu	285/43
5,472,241 A	12/1995	Kosik, Jr. et al.	283/42
D385,956 S *	11/1997	Doughty et al.	D23/259
6,029,412 A	2/2000	Gohlke	52/232
D423,087 S	4/2000	Houseman	D23/259
D428,130 S *	7/2000	Zirk	D23/393
6,163,960 A *	12/2000	Poitras	285/44
6,279,272 B1 *	8/2001	Null, Jr.	52/58
6,601,351 B1 *	8/2003	Zerfoss	52/58
6,792,726 B1 *	9/2004	Price	285/42

(Continued)

OTHER PUBLICATIONS

Two (2) digital photographs showing a conventional "Lead Roof Pipe Boot".

*Primary Examiner*—Ian Simmons

*Assistant Examiner*—David G Muller

(57) **CLAIM**

The ornamental design for a roof pipe boot, as shown and described.

**DESCRIPTION**

FIG. 1 is a top, front, right side perspective view of a roof pipe boot;

FIG. 2 is a front elevational view thereof;

FIG. 3 is a rear elevational view thereof;

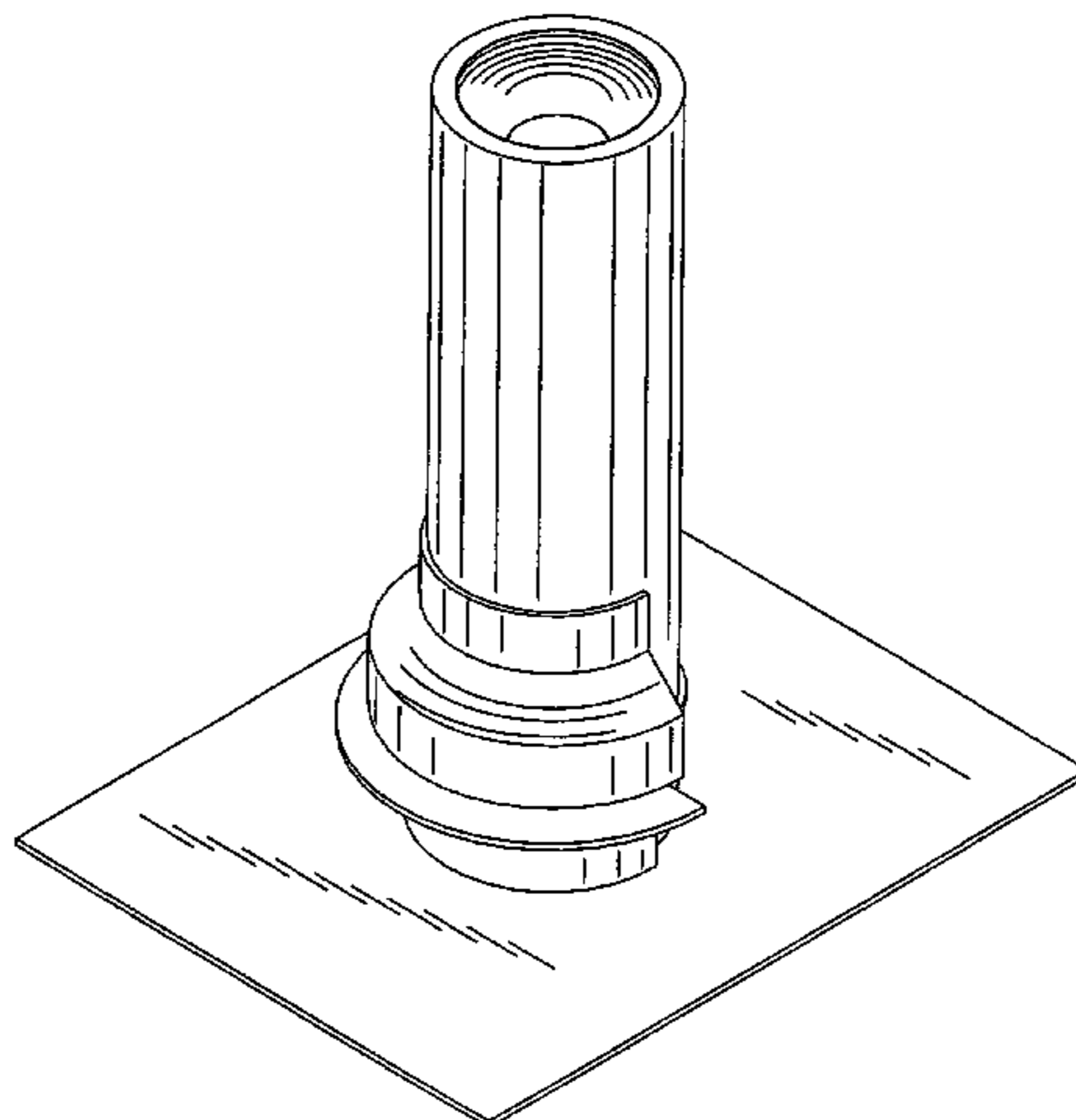
FIG. 4 is a top plan view thereof;

FIG. 5 is a bottom plan view thereof;

FIG. 6 is a left side elevational view thereof, the right side elevational view being a mirror image view thereof; and,

FIG. 7 is a cross sectional view as seen along line 7—7 of FIG. 4.

**1 Claim, 6 Drawing Sheets**



# US D606,186 S

Page 2

---

U.S. PATENT DOCUMENTS		2005/0055889 A1*	3/2005	Thaler .....	52/58		
D506,811 S *	6/2005	Nakamura et al. ....	D23/259	2007/0101664 A1	5/2007	Hoy et al. ....	52/198
7,114,301 B2	10/2006	Bibaud et al. ....	52/219	* cited by examiner			

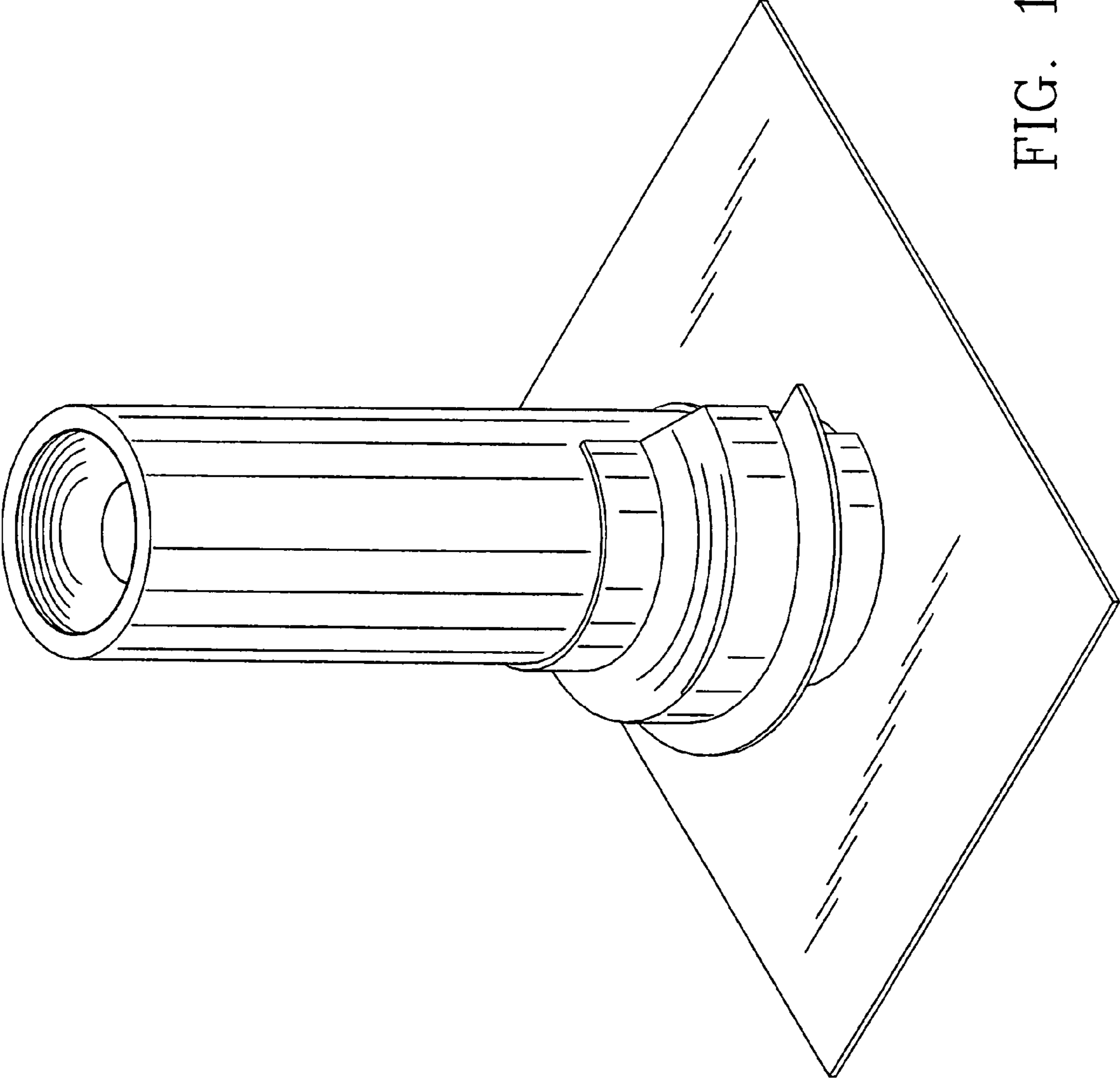


FIG. 1

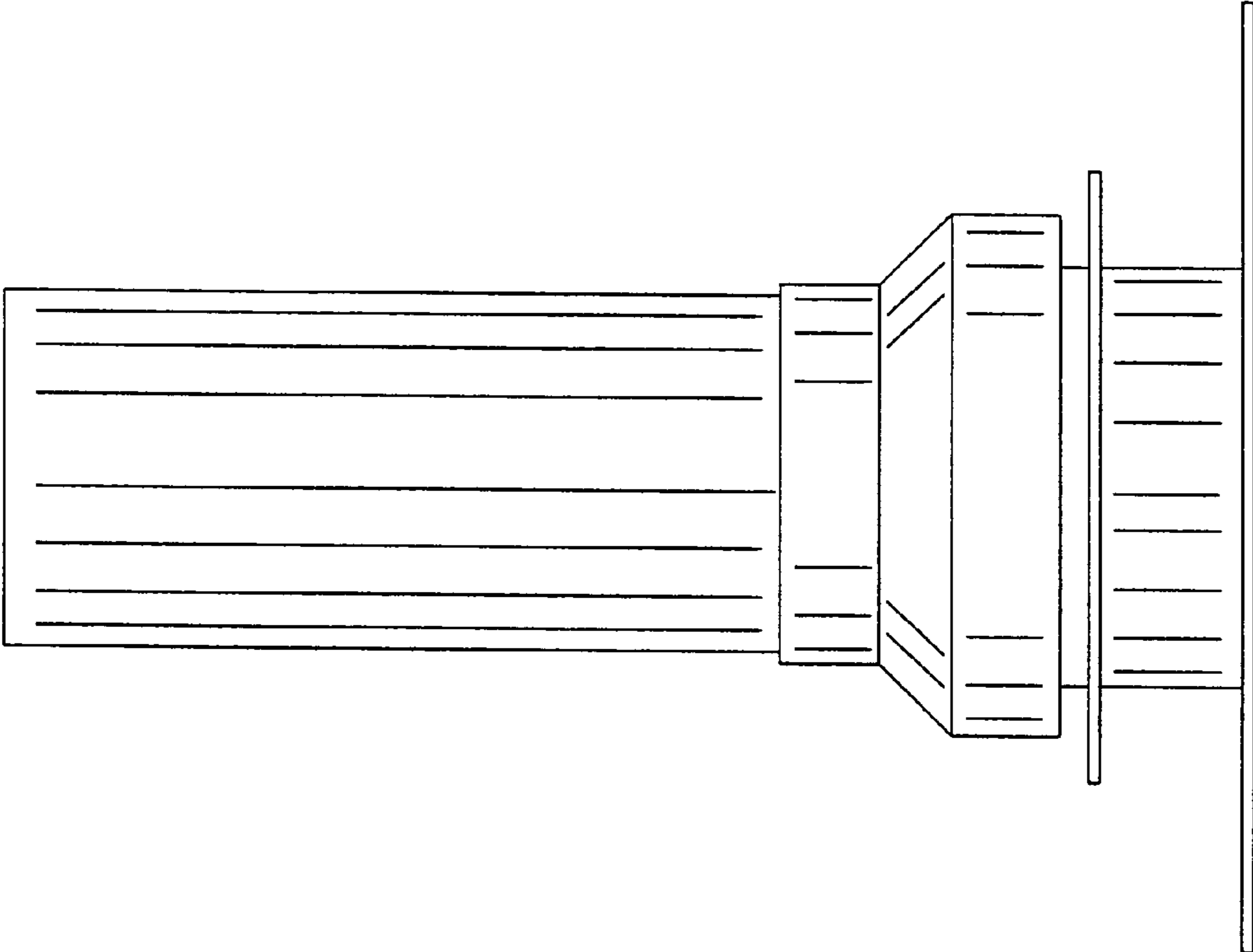


FIG. 2

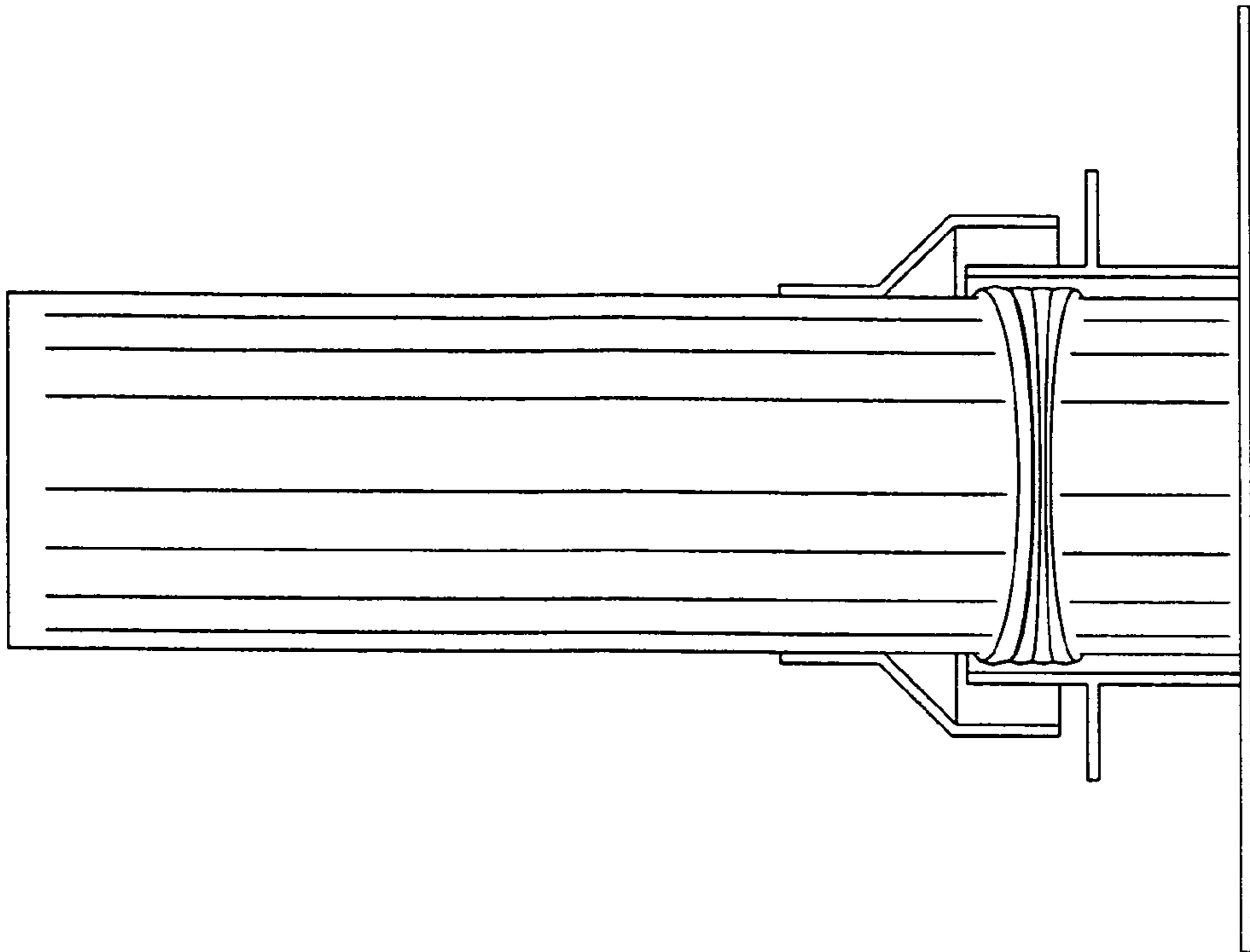


FIG. 3

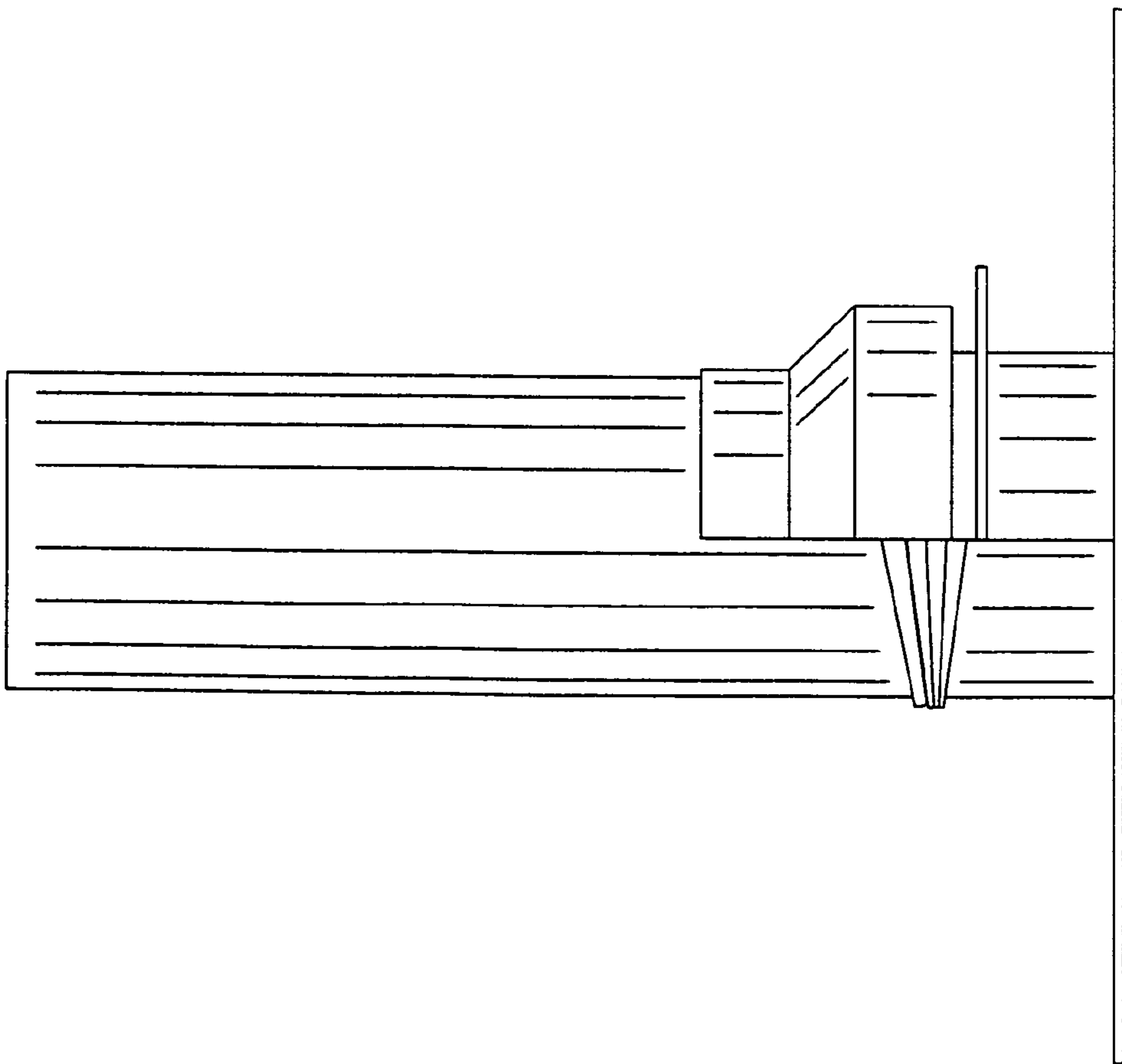


FIG. 6

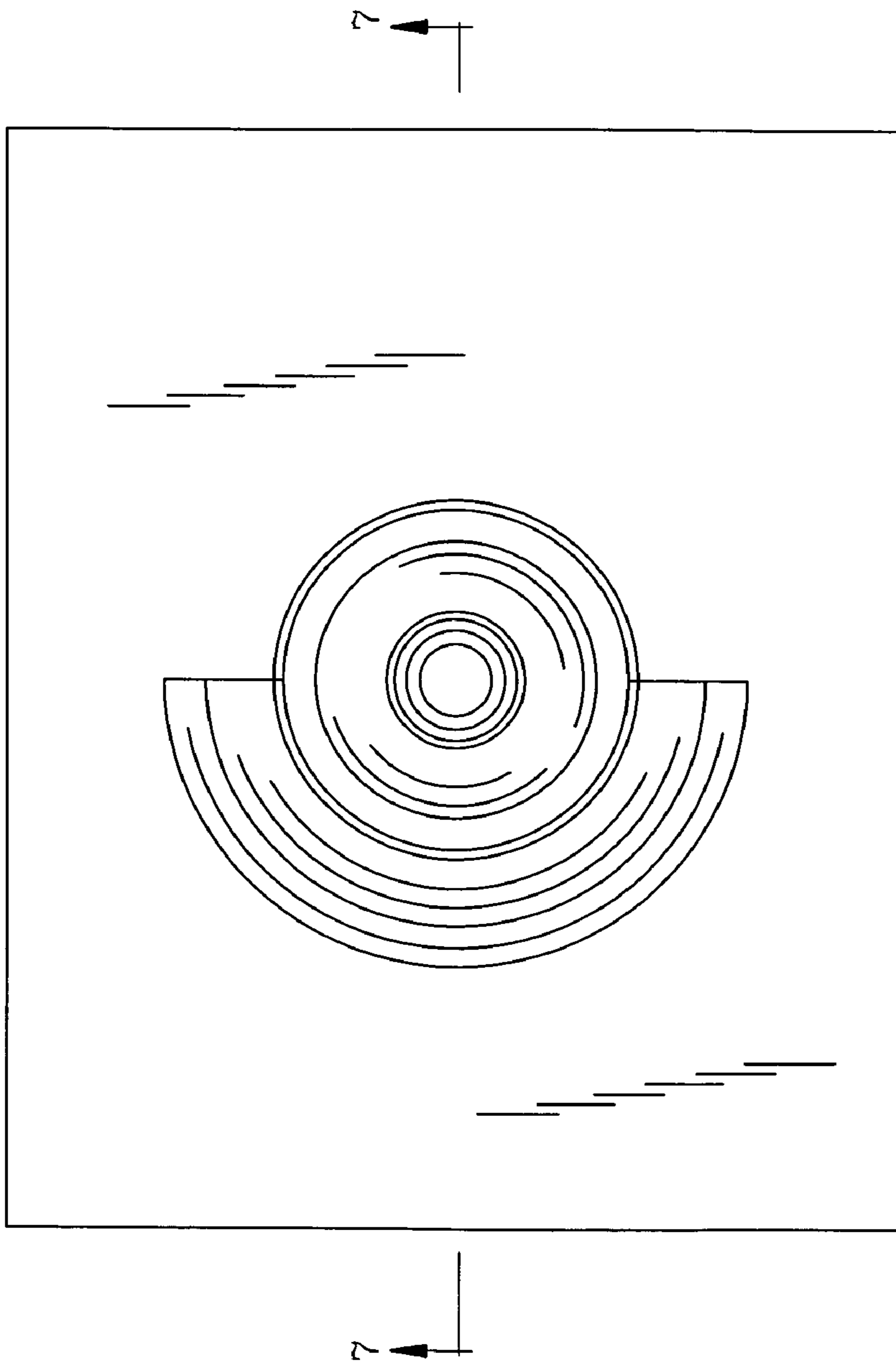


FIG. 4

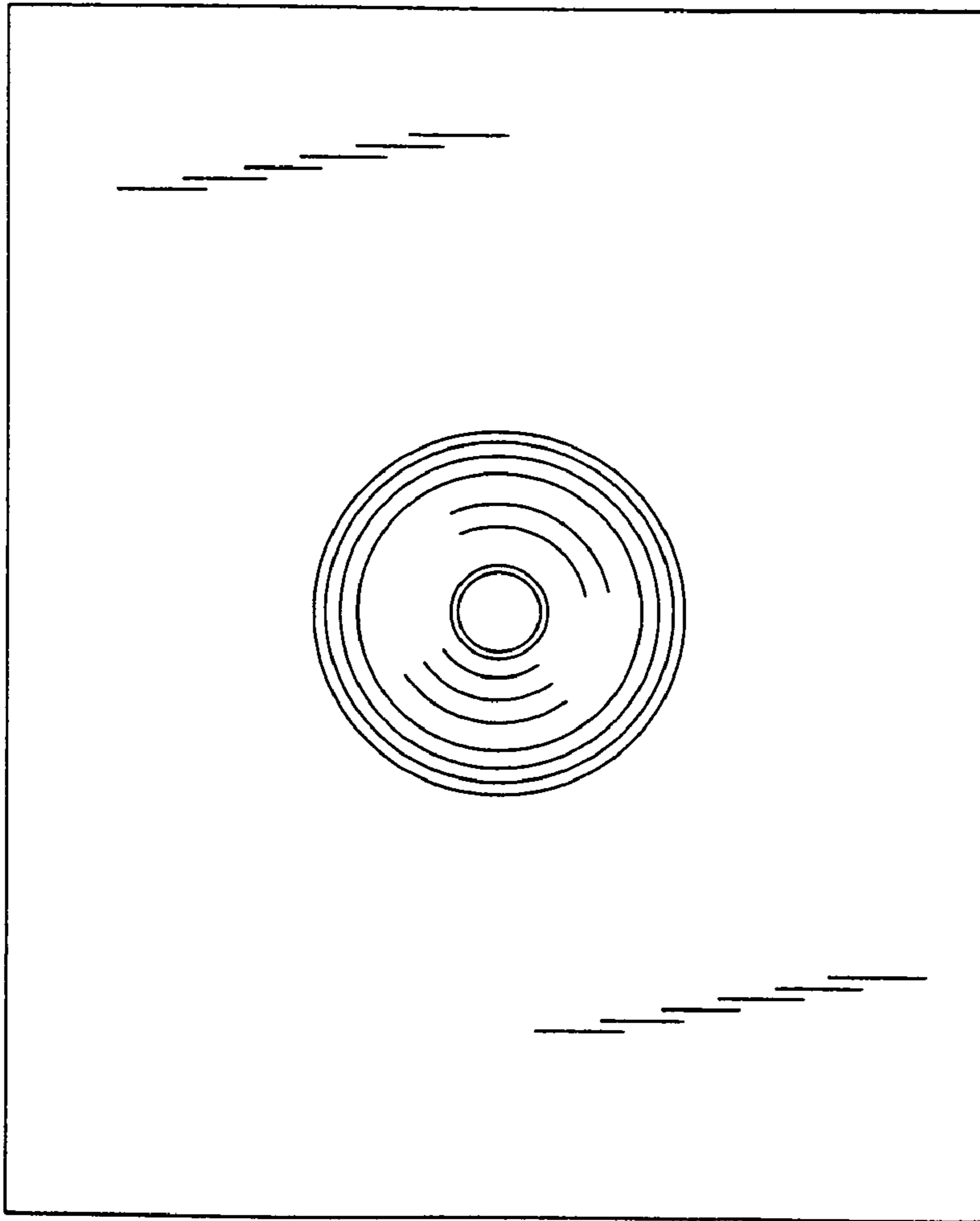


FIG. 5

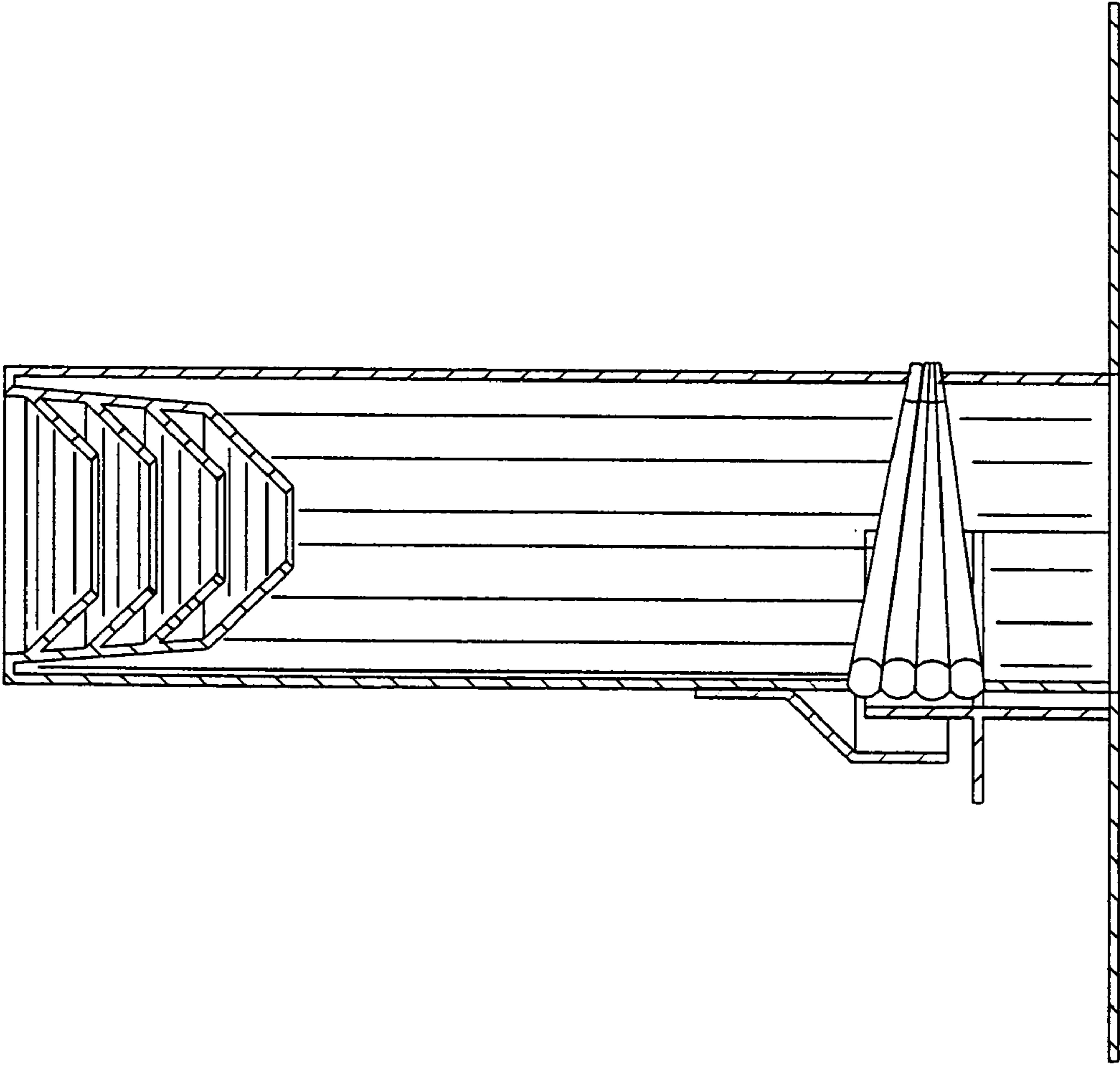


FIG. 7