



US00D606185S

(12) **United States Design Patent**
Wefler et al.

(10) **Patent No.:** **US D606,185 S**

(45) **Date of Patent:** **** Dec. 15, 2009**

(54) **AIR FRESHENER**

(75) Inventors: **Mark E. Wefler**, Racine, WI (US);
Martin Ruegg, Muttentz (CH)

(73) Assignee: **S.C. Johnson & Son, Inc.**, Racine, WI
(US)

(**) Term: **14 Years**

(21) Appl. No.: **29/315,269**

(22) Filed: **Jun. 10, 2009**

(51) **LOC (9) Cl.** **28-99**

(52) **U.S. Cl.** **D23/366**

(58) **Field of Classification Search** D23/355-369;
D28/5, 6; 261/DIG. 17, DIG. 42, DIG. 65,
261/DIG. 88, DIG. 89; 392/386, 390, 391,
392/392, 394, 395, 389, 393; 239/34, 35,
239/43-45, 53, 56, 57, 60, 326, 42, 50, 55;
D6/300

See application file for complete search history.

(56) **References Cited**

U.S. PATENT DOCUMENTS

2,577,320	A *	12/1951	Fenyo	239/55
D169,871	S	6/1953	Speer et al.	
D260,503	S	9/1981	Stangarone	
D269,838	S	7/1983	Altonaga	
D271,359	S	11/1983	Le	
D275,223	S	8/1984	Marxen	
D275,700	S	9/1984	Marxen	
D279,146	S	6/1985	McCaffrey	
D288,003	S	1/1987	Hoyt	
D296,957	S	8/1988	Gordon et al.	
4,814,212	A *	3/1989	Spector	428/14

4,849,606	A *	7/1989	Martens et al.	392/390
D305,703	S	1/1990	Wang	
D325,077	S	3/1992	Kearnes	
D339,238	S	9/1993	Hamilton	
D339,242	S	9/1993	Sontag et al.	
D346,068	S	4/1994	White	
D346,856	S	5/1994	Kany	
5,361,522	A *	11/1994	Green	40/725

(Continued)

Primary Examiner—Sandra Snapp

(57) **CLAIM**

The ornamental design for an air freshener, as shown and described.

DESCRIPTION

FIG. 1 is an isometric view of a front and right side of an ornamental design for an air freshener;

FIG. 2 is a front elevational view of the air freshener of FIG. 1;

FIG. 3 is a rear elevational view of the air freshener of FIG. 1;

FIG. 4 is a bottom plan view of the air freshener of FIG. 1;

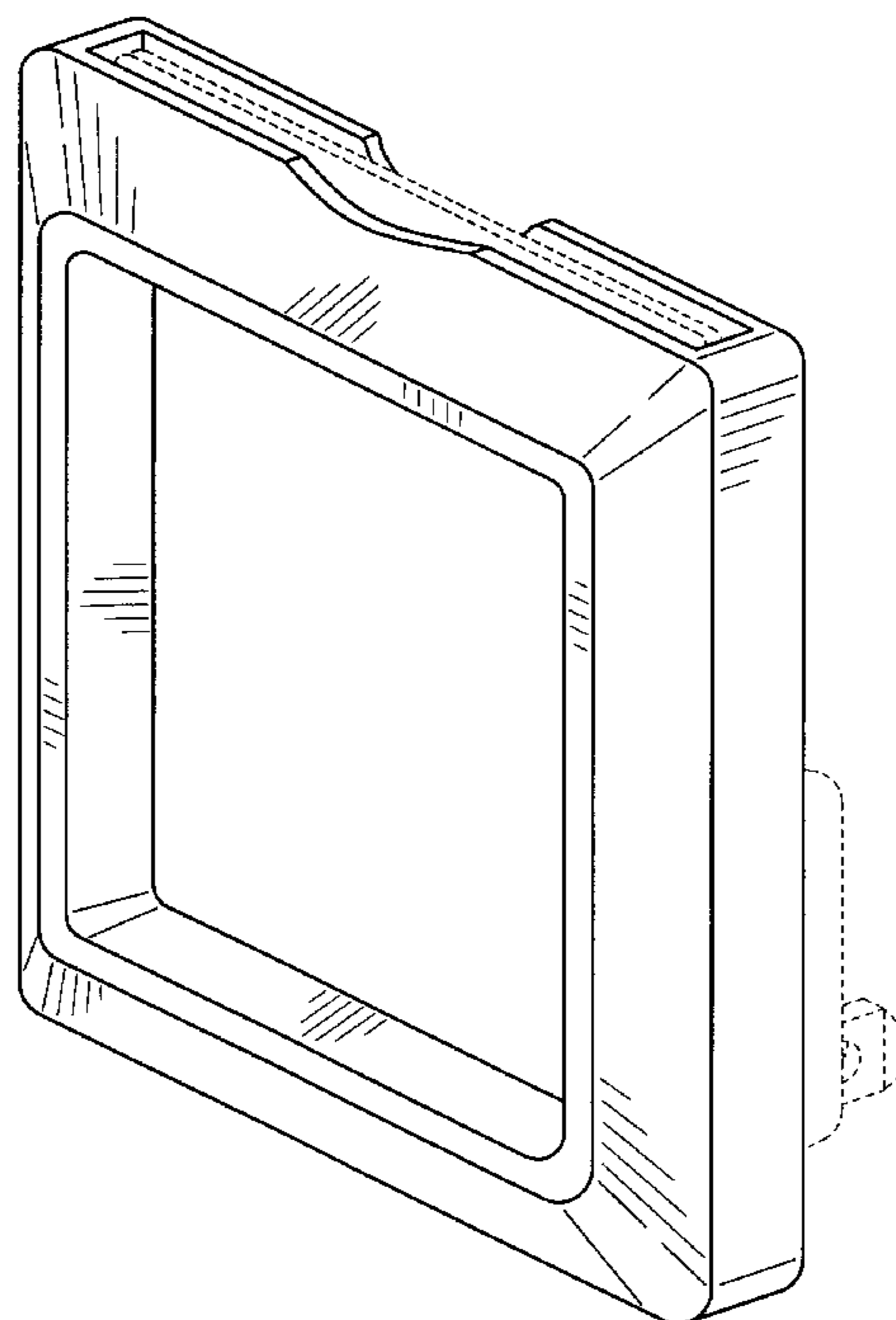
FIG. 5 is a top plan view of the air freshener of FIG. 1;

FIG. 6 is a left side elevational view of the air freshener of FIG. 1; and,

FIG. 7 is a right side elevational view of the air freshener of FIG. 1.

The broken line showing of internal structure and a rear plate with electrical prongs is for the purpose of illustrating environmental structure and forms no part of the claimed design.

1 Claim, 5 Drawing Sheets



US D606,185 S

Page 2

U.S. PATENT DOCUMENTS

D354,627 S	1/1995	Rowan	D476,726 S	7/2003	Rosenberg	
D358,037 S	5/1995	Monroe	D479,742 S	9/2003	Hollingsworth	
D360,461 S	7/1995	Gillespie	D480,221 S	10/2003	Luciano	
D361,896 S	9/1995	Bramley et al.	D481,113 S	10/2003	Groene et al.	
D366,107 S	1/1996	Shaffer	D481,785 S	11/2003	Koike	
D369,473 S	5/1996	Gluck	D536,775 S *	11/2003	Koike	D23/355
D372,797 S	8/1996	Ilaria et al.	D485,607 S	1/2004	Wu	
D374,777 S	10/1996	Agam	D487,308 S	3/2004	Engerant	
D376,002 S	11/1996	Upton	6,714,725 B2 *	3/2004	Grone et al.	392/392
D376,420 S	12/1996	Rymer	6,730,311 B2 *	5/2004	Maleeny et al.	424/405
D376,914 S	12/1996	Waszkiewicz, III	D498,524 S	11/2004	Morillas	
D379,853 S	6/1997	Long et al.	D498,525 S	11/2004	Harbutt et al.	
D380,822 S	7/1997	Decker et al.	D498,836 S	11/2004	Morillas	
D383,613 S	9/1997	Handler	D503,974 S	4/2005	Morillas	
D384,408 S	9/1997	Foreman	D504,500 S	4/2005	Morillas	
D384,821 S	10/1997	Sugar	6,895,177 B2 *	5/2005	He et al.	392/392
D392,031 S	3/1998	Miller	6,901,215 B2 *	5/2005	He et al.	392/392
D399,298 S	10/1998	Whitehead	D515,681 S	2/2006	Muir et al.	
D401,767 S	12/1998	Leung	D520,130 S	5/2006	Miró	
D405,473 S	2/1999	Tikhonski et al.	D522,640 S	6/2006	Miró	
D405,961 S	2/1999	Stangl et al.	D528,309 S	9/2006	Schwind	
D407,809 S	4/1999	Hammond	7,188,780 B2 *	3/2007	Martens, III	239/35
D424,812 S	5/2000	Kacius	D541,054 S	4/2007	Schwind	
D431,075 S	9/2000	Barraclough	D543,364 S *	5/2007	Fleischer	D6/300
D435,100 S	12/2000	Pesu et al.	D548,827 S	8/2007	Pivert et al.	
D437,404 S	2/2001	Wu	D561,887 S	2/2008	Friedman et al.	
D438,607 S	3/2001	Edwards et al.	D568,456 S *	5/2008	Hollingsworth	D23/366
D439,964 S	4/2001	Wu	7,398,013 B2 *	7/2008	He et al.	392/394
D441,441 S	5/2001	Upton	7,426,799 B2 *	9/2008	Christianson et al.	40/725
D445,262 S	7/2001	Rowan	7,441,360 B2 *	10/2008	Christianson et al.	40/725
D456,620 S	5/2002	Vincent	7,523,577 B2 *	4/2009	Majerowski	40/768
D456,888 S	5/2002	Buthier	D597,644 S *	8/2009	Wu	D23/366
D461,006 S	7/2002	Buthier	2003/0200690 A1 *	10/2003	Galloway	40/779
D461,393 S	8/2002	Capella	2004/0057975 A1 *	3/2004	Maleeny et al.	424/401
			2006/0000920 A1 *	1/2006	Leonard	239/34

* cited by examiner

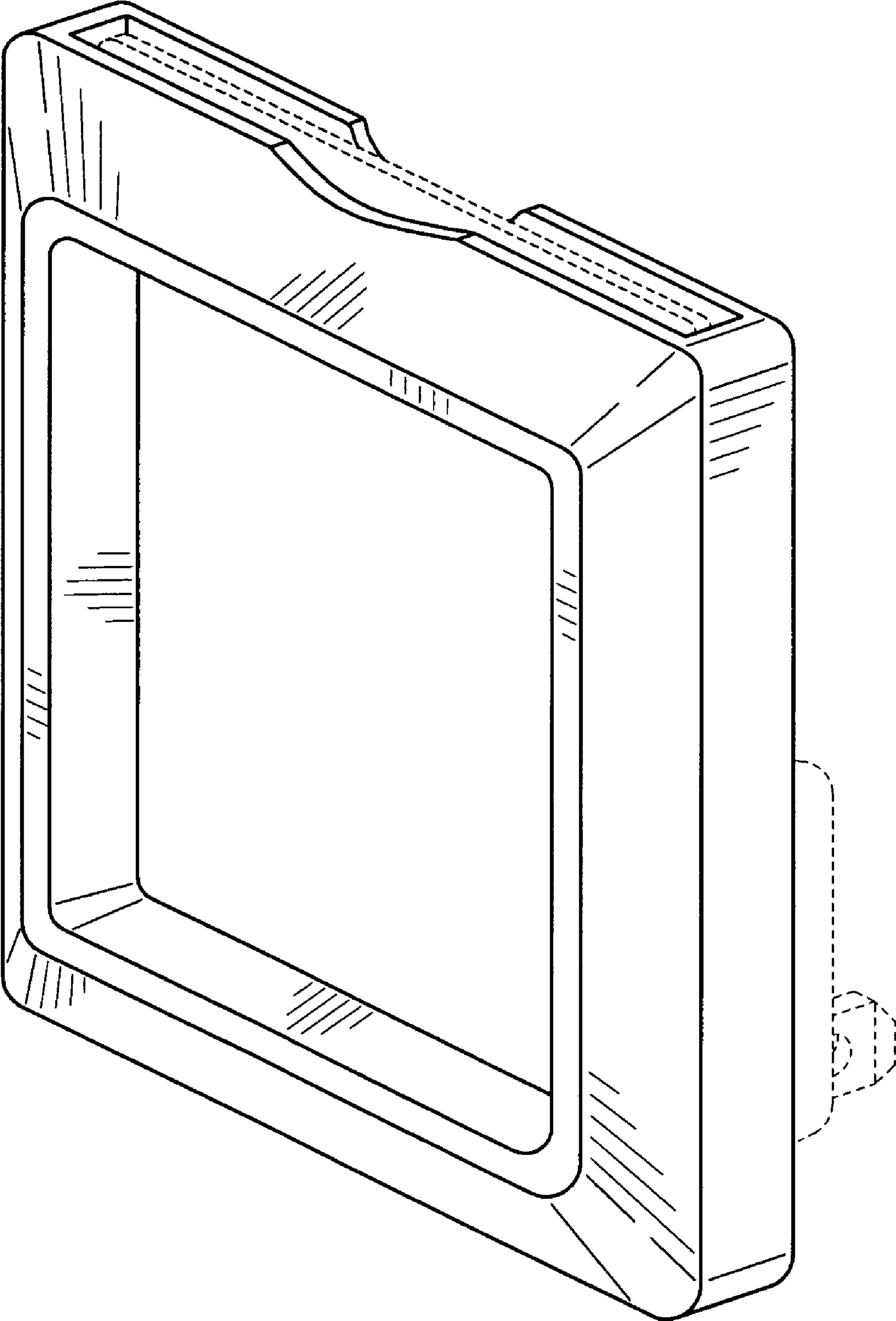


FIG. 1

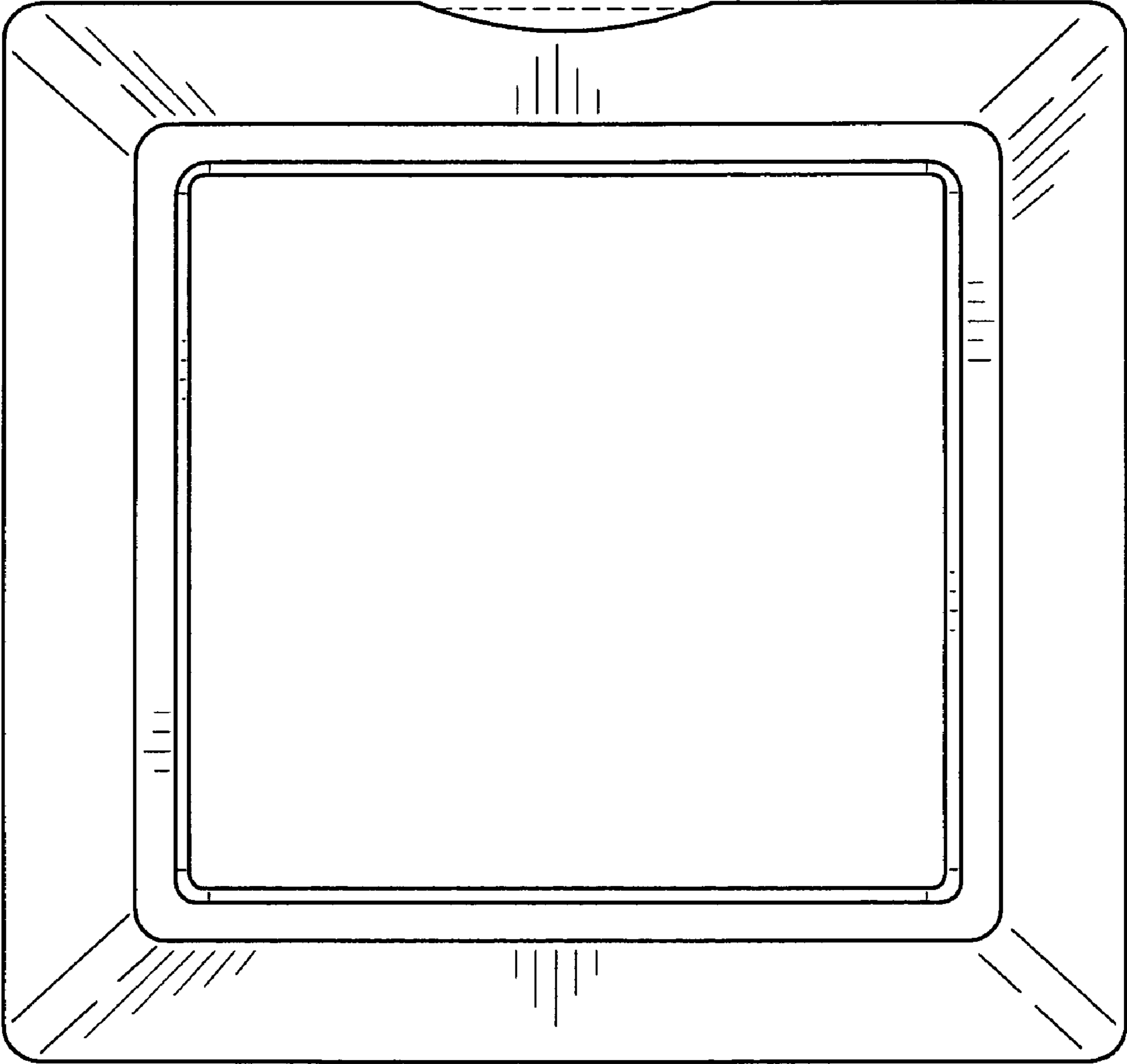


FIG. 2

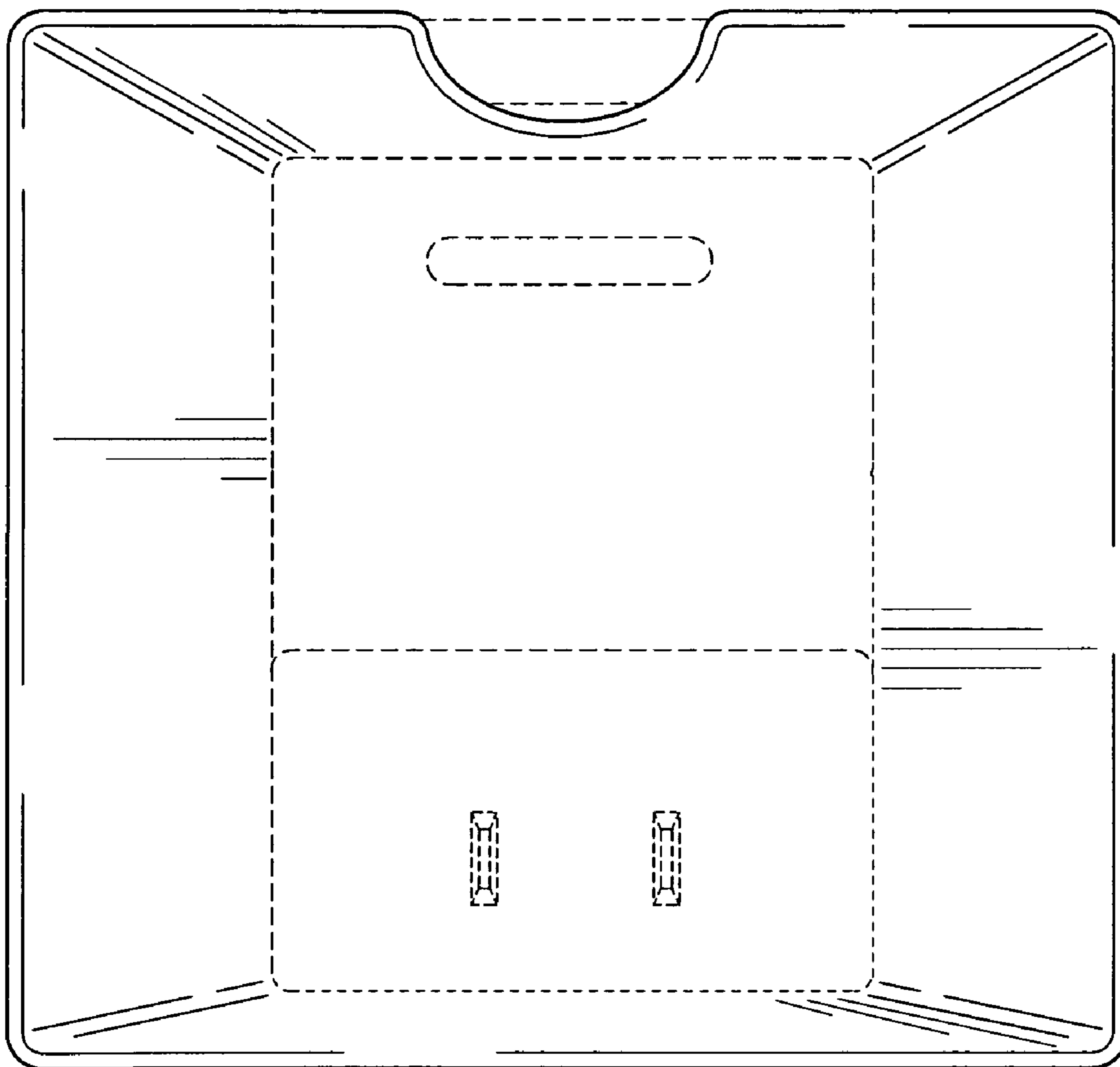


FIG. 3

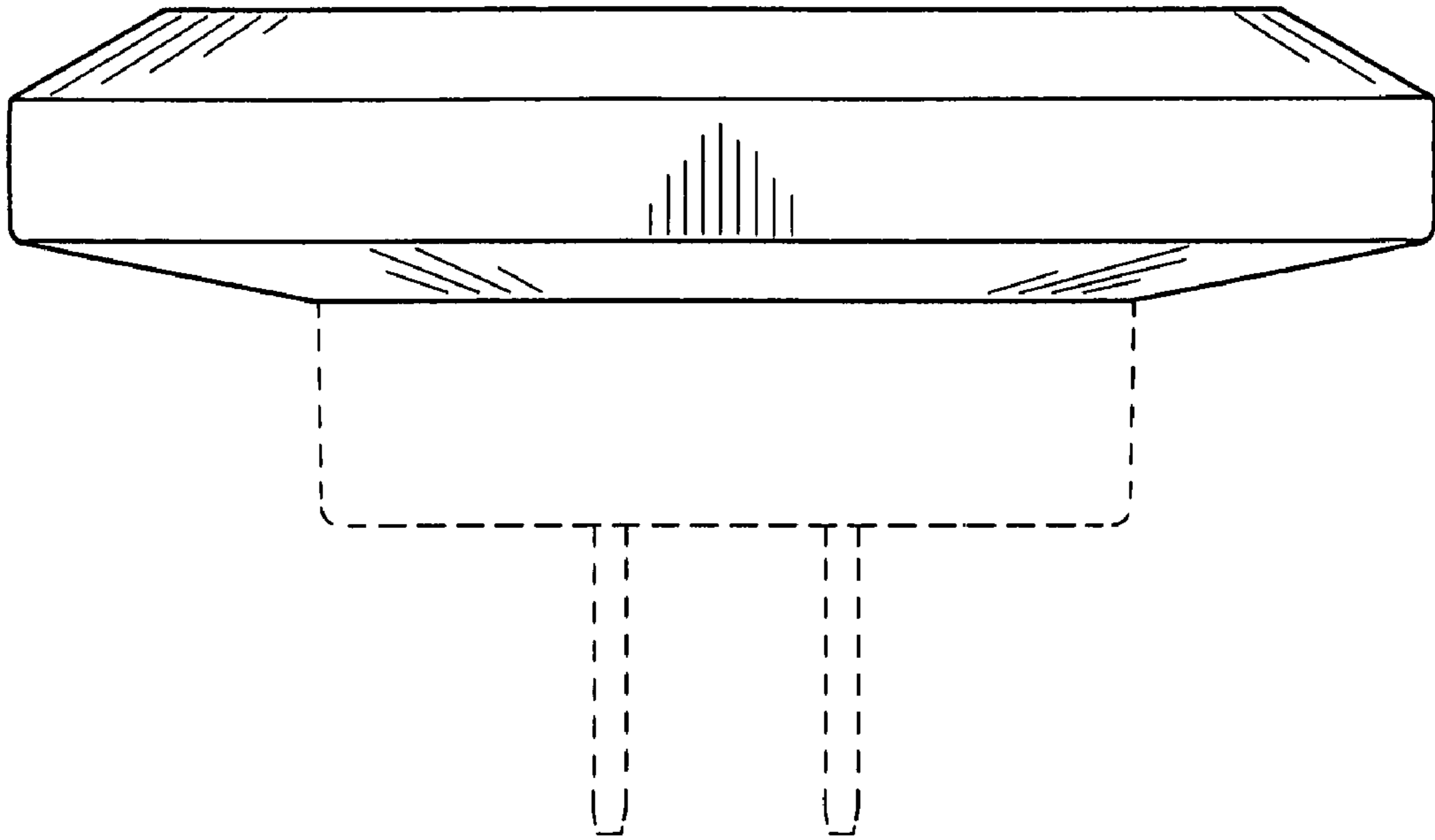


FIG. 4

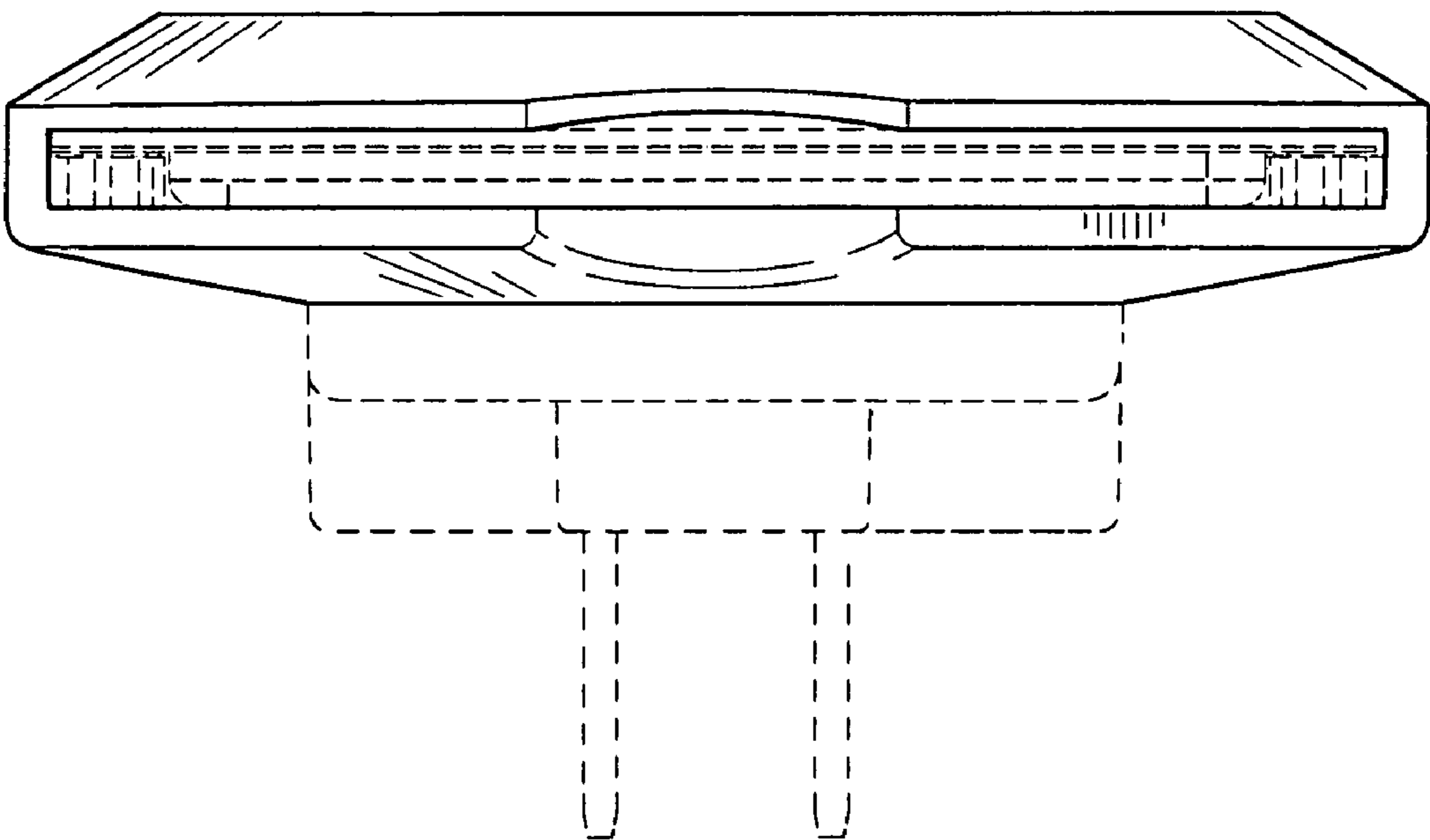


FIG. 5

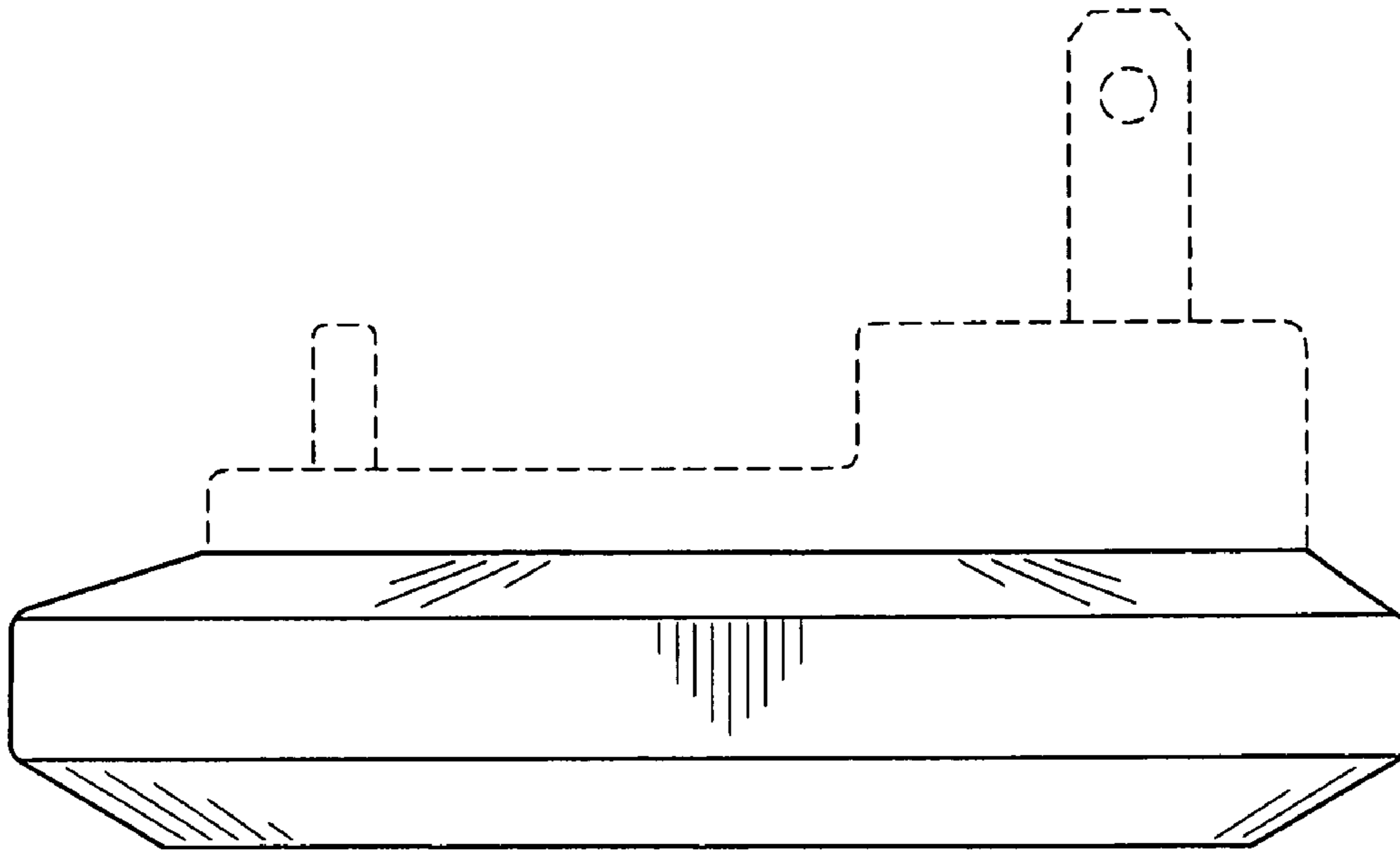


FIG. 7

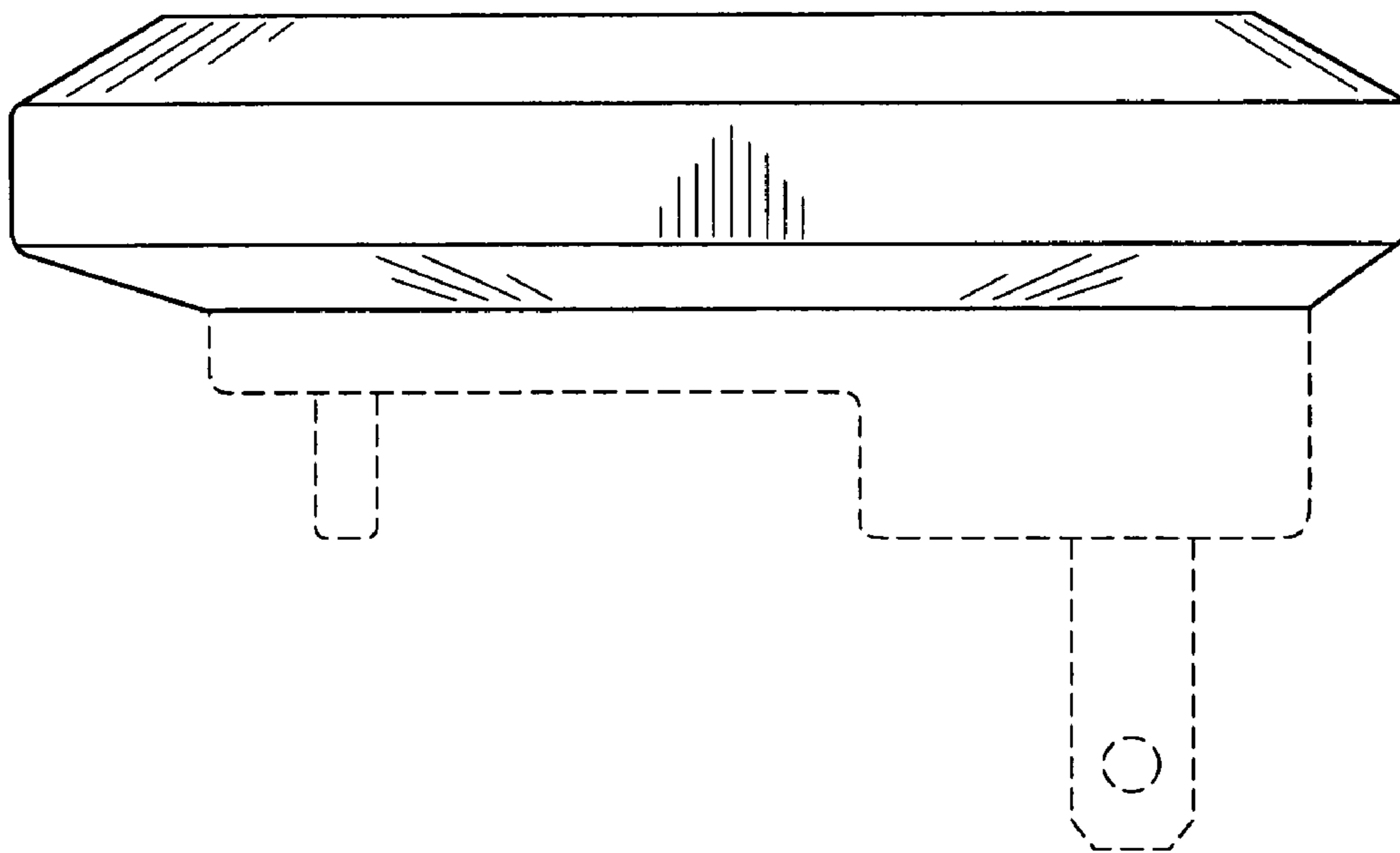


FIG. 6