



US00D606184S

(12) **United States Design Patent**
Chiu

(10) **Patent No.:** **US D606,184 S**

(45) **Date of Patent:** **** Dec. 15, 2009**

(54) **DEHUMIDIFIER**

(75) Inventor: **Ming-Tsung Chiu**, Chung-Ho (TW)

(73) Assignee: **New Widetech Industries Co., Ltd.**,
Chung-Ho, Taipei Hsien (TW)

(**) Term: **14 Years**

(21) Appl. No.: **29/315,619**

(22) Filed: **Jul. 10, 2009**

(51) **LOC (9) Cl.** **23-04**

(52) **U.S. Cl.** **D23/359**

(58) **Field of Classification Search** D23/359,
D23/355, 356, 364, 360, 362, 352, 366, 369,
D23/332, 333, 335, 336, 342, 351; 422/120,
422/122; 55/356, 473, 504; 96/97; D14/188,
D14/170, 172; 261/DIG. 17, DIG. 65, DIG. 88,
261/DIG. 31

See application file for complete search history.

(56) **References Cited**

U.S. PATENT DOCUMENTS

D419,230 S *	1/2000	Ciccone	D23/333
D435,096 S *	12/2000	Meeks et al.	D23/356
D451,084 S *	11/2001	Su	D14/188
D462,754 S *	9/2002	Briggs et al.	D23/364
D534,999 S *	1/2007	Hussaini et al.	D23/335
D537,512 S *	2/2007	Nakajima	D23/359
D566,819 S *	4/2008	Chiu	D23/333
D572,357 S *	7/2008	Murai et al.	D23/366

D572,810 S *	7/2008	Chiu	D23/333
D595,824 S *	7/2009	Ohta	D23/364
D595,826 S *	7/2009	Ohta	D23/364
D595,827 S *	7/2009	Satou	D23/364
D599,456 S *	9/2009	Choi	D23/364

* cited by examiner

Primary Examiner—T. Chase Nelson

Assistant Examiner—David G Muller

(74) *Attorney, Agent, or Firm*—Charles E. Baxley

(57) **CLAIM**

The ornamental design for a dehumidifier, as shown and described.

DESCRIPTION

FIG. 1 is a front perspective view of a dehumidifier showing my new design;

FIG. 2 is a front view thereof;

FIG. 3 is a rear view thereof;

FIG. 4 is a left side view thereof;

FIG. 5 is a right side view thereof;

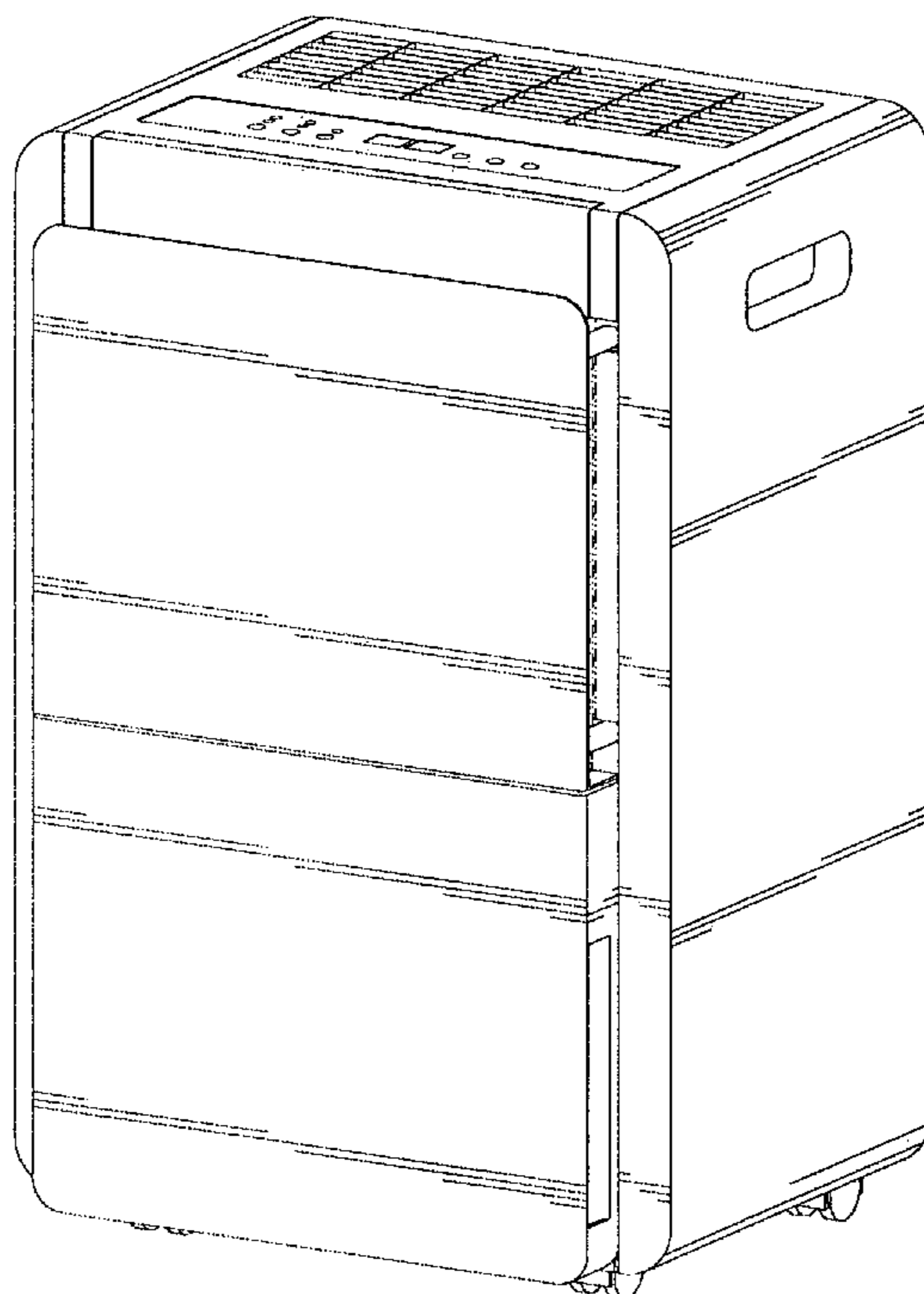
FIG. 6 is top view thereof;

FIG. 7 is a bottom view thereof; and,

FIG. 8 is a rear perspective view thereof.

The features shown in broken lines depict environmental subject matter only and form no part of the claimed design.

1 Claim, 8 Drawing Sheets



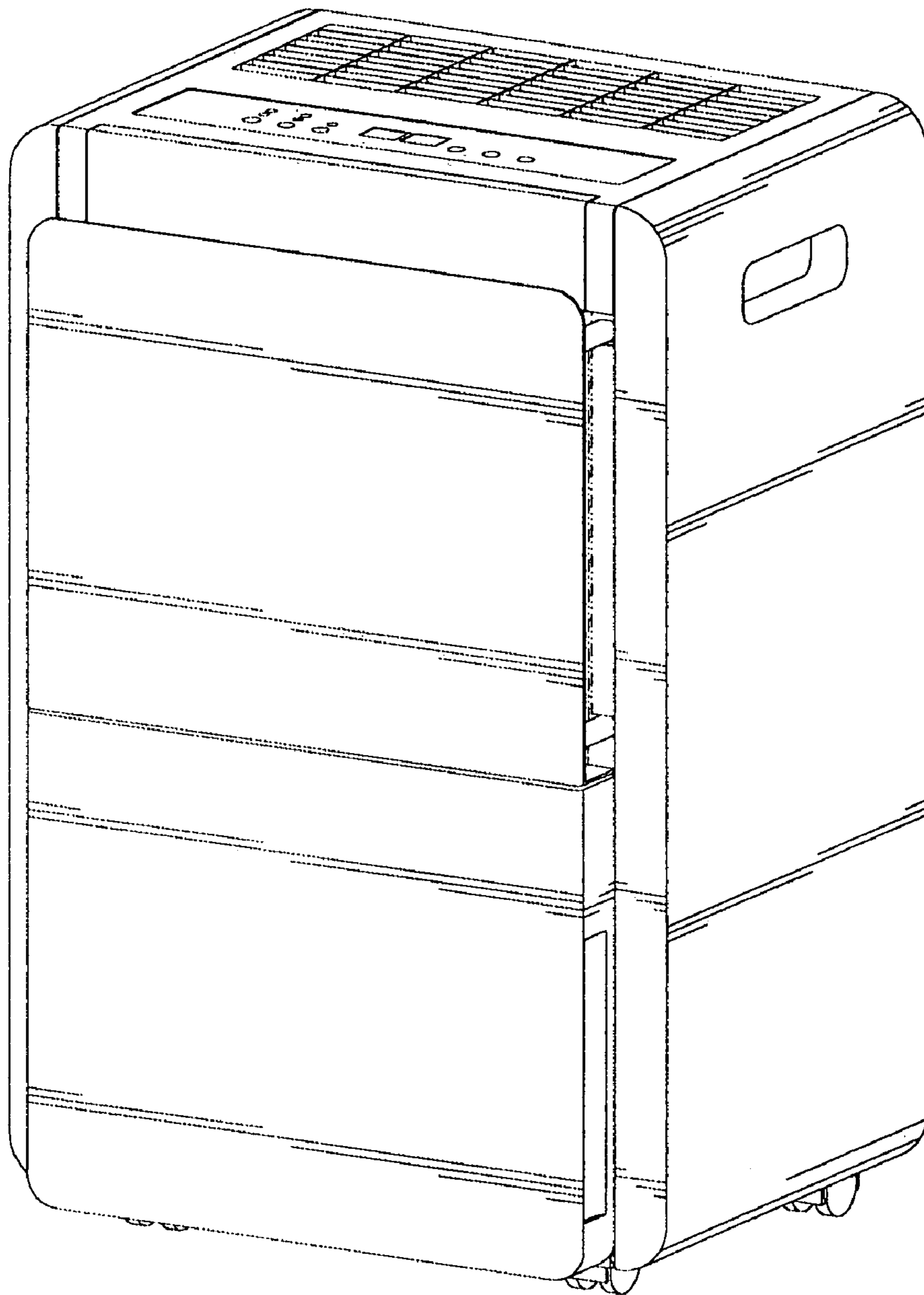


FIG.1

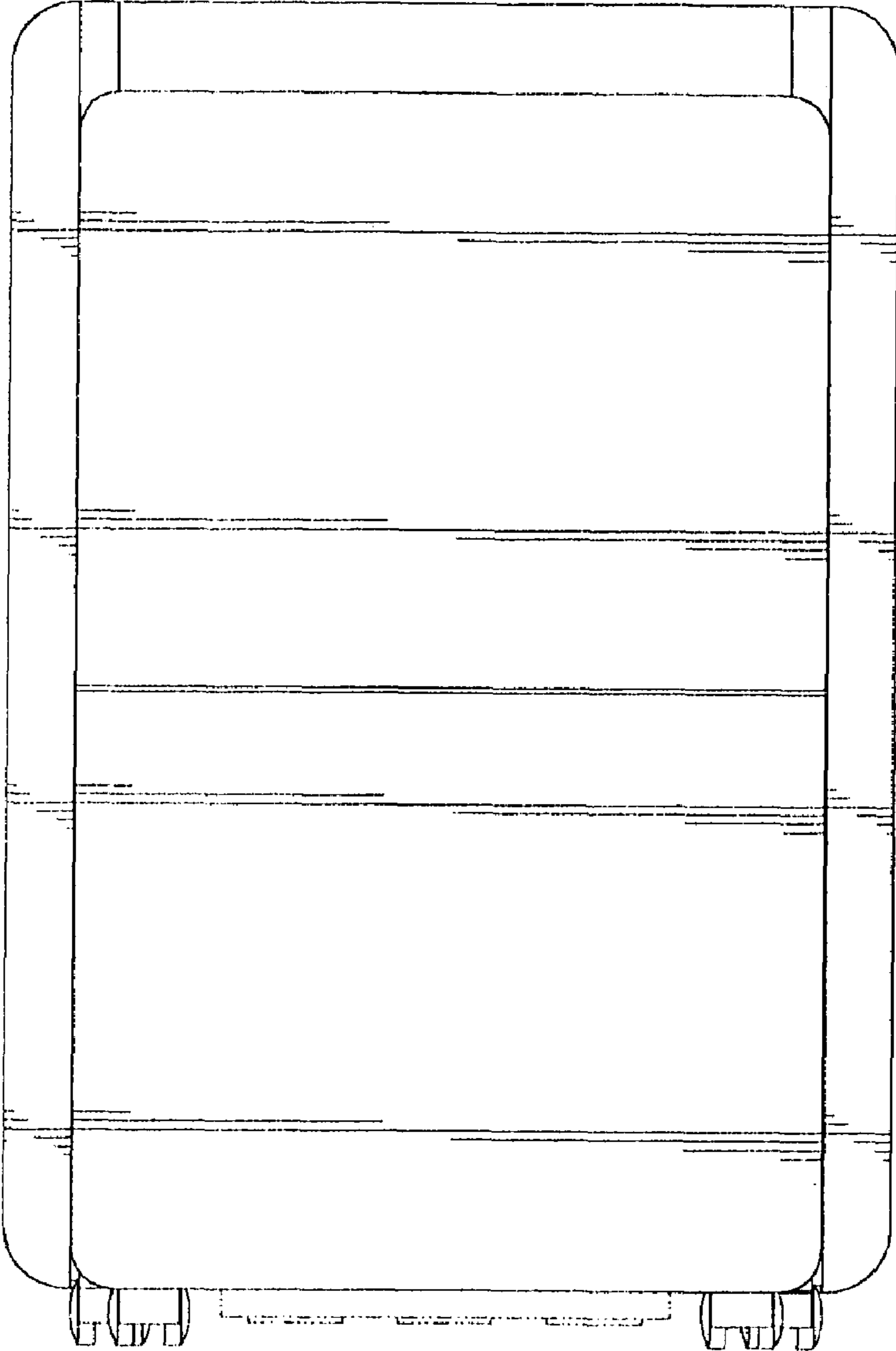


FIG.2

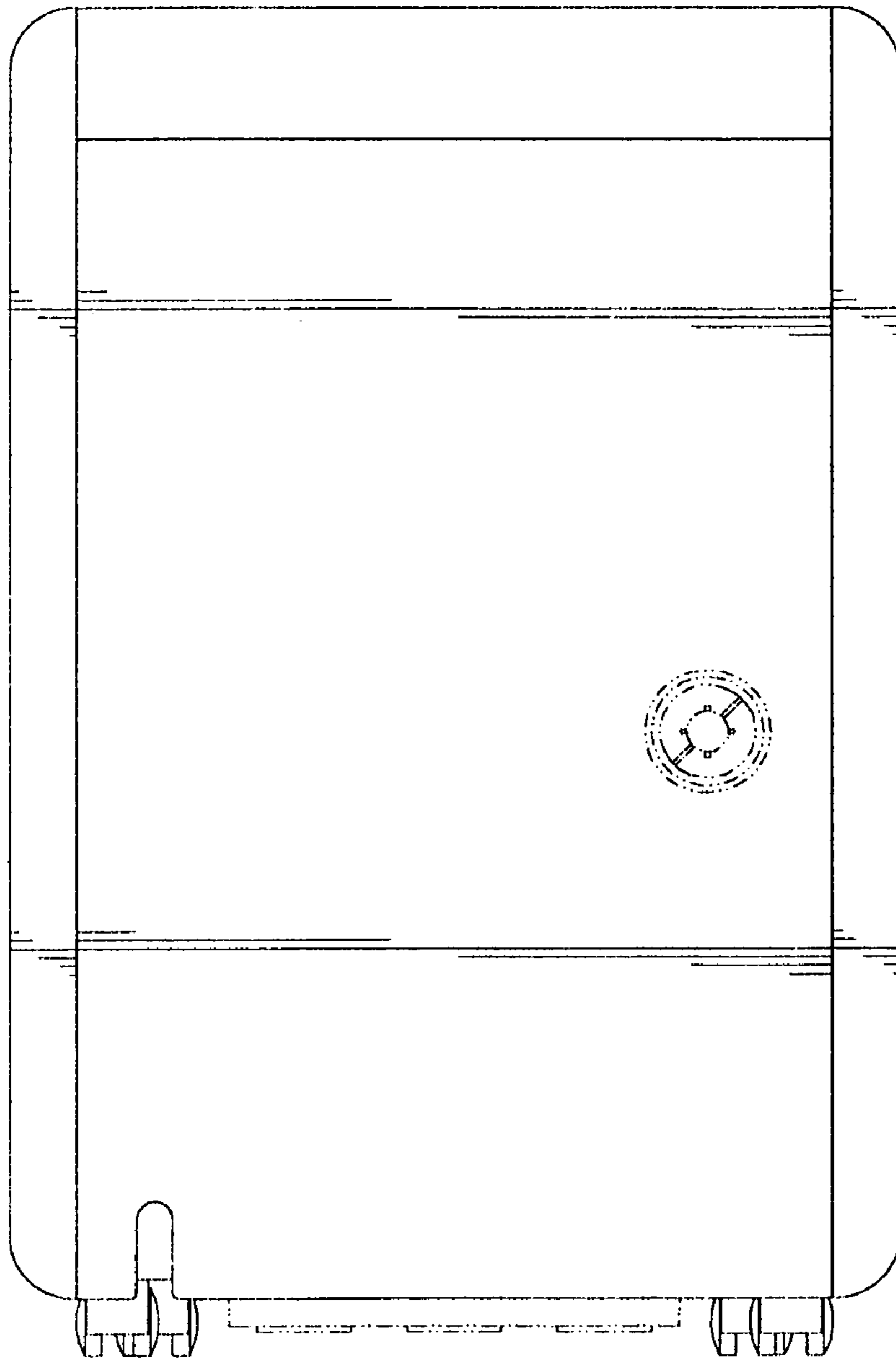


FIG.3

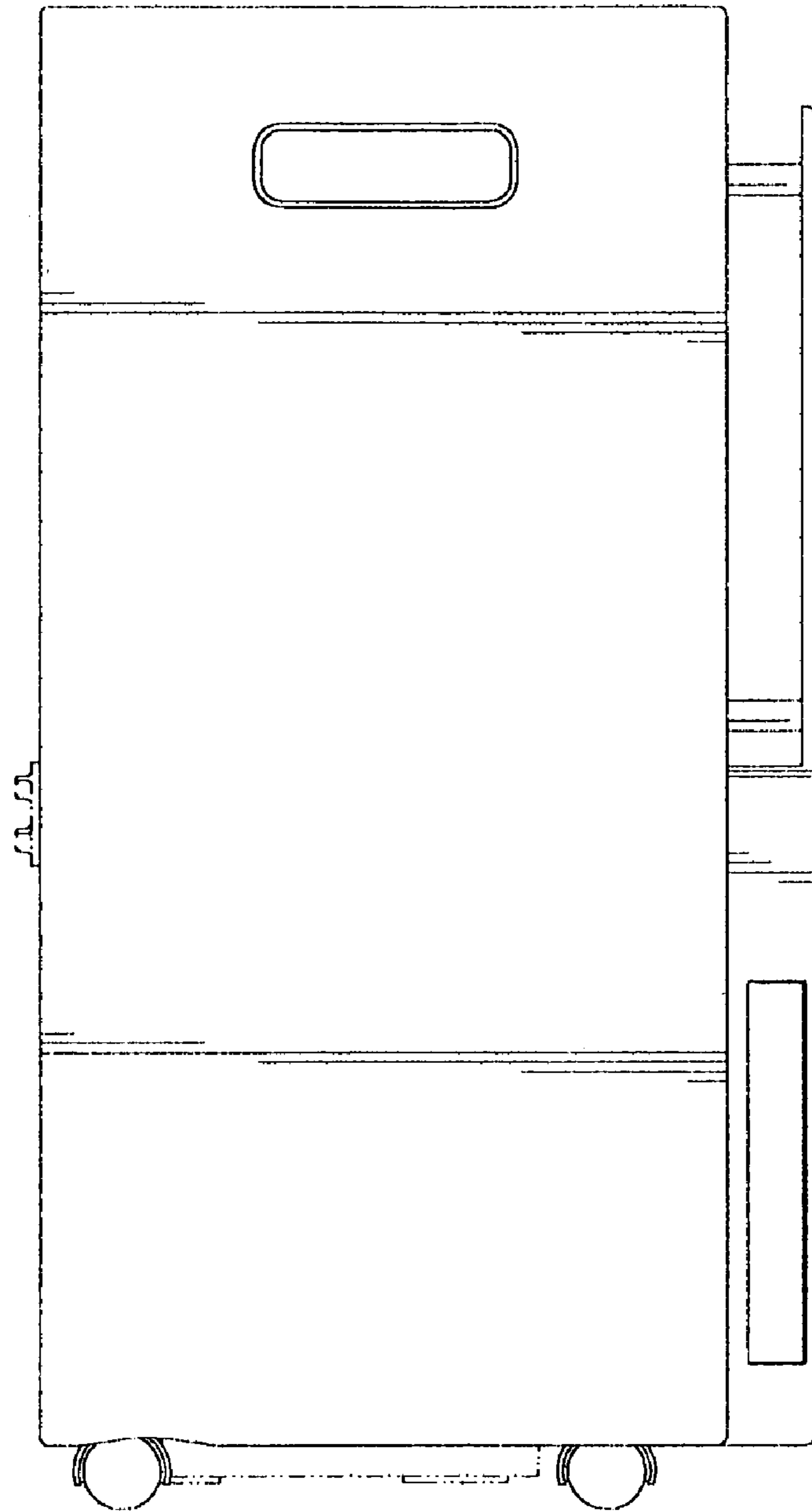


FIG.4

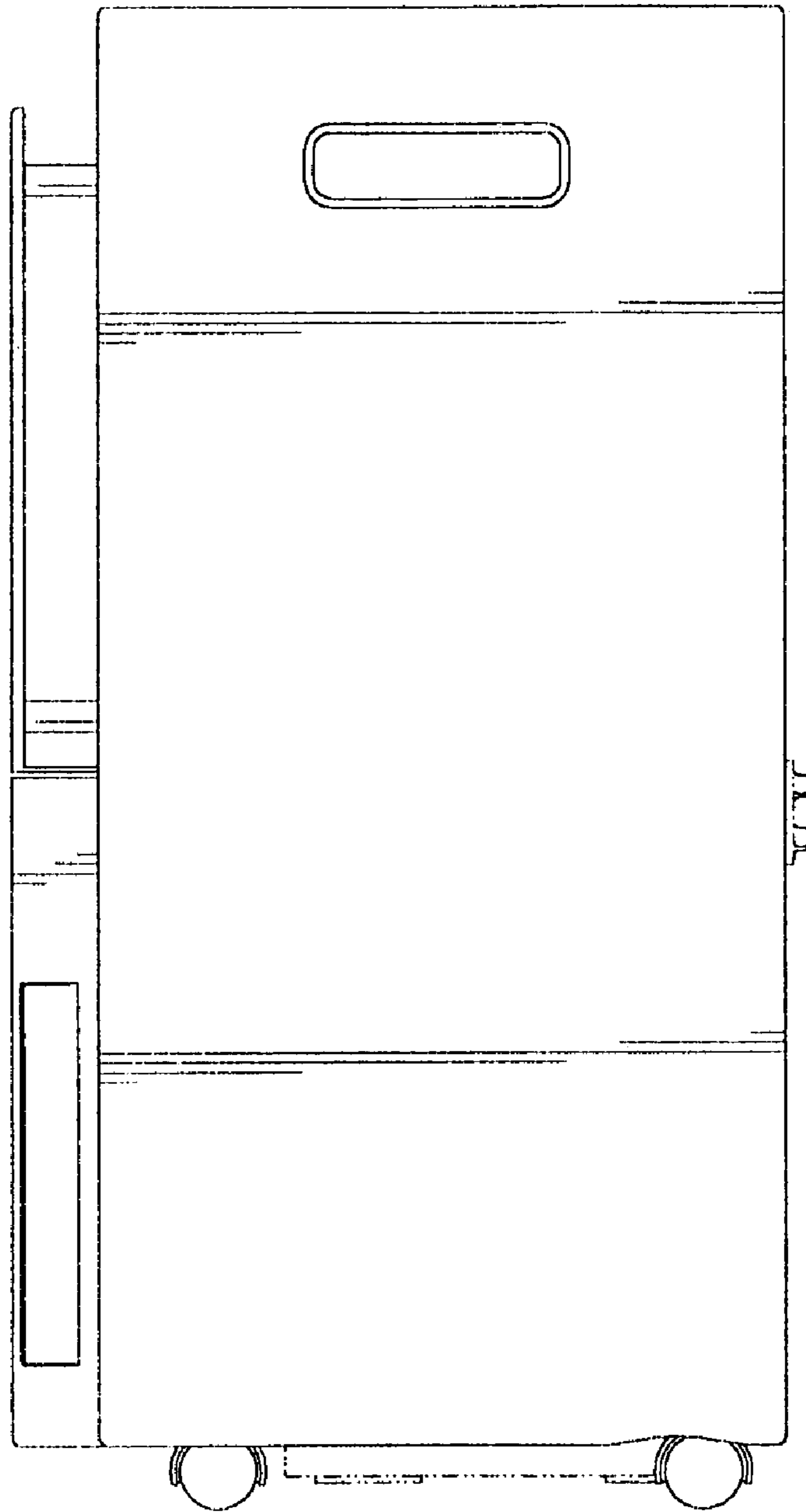


FIG.5

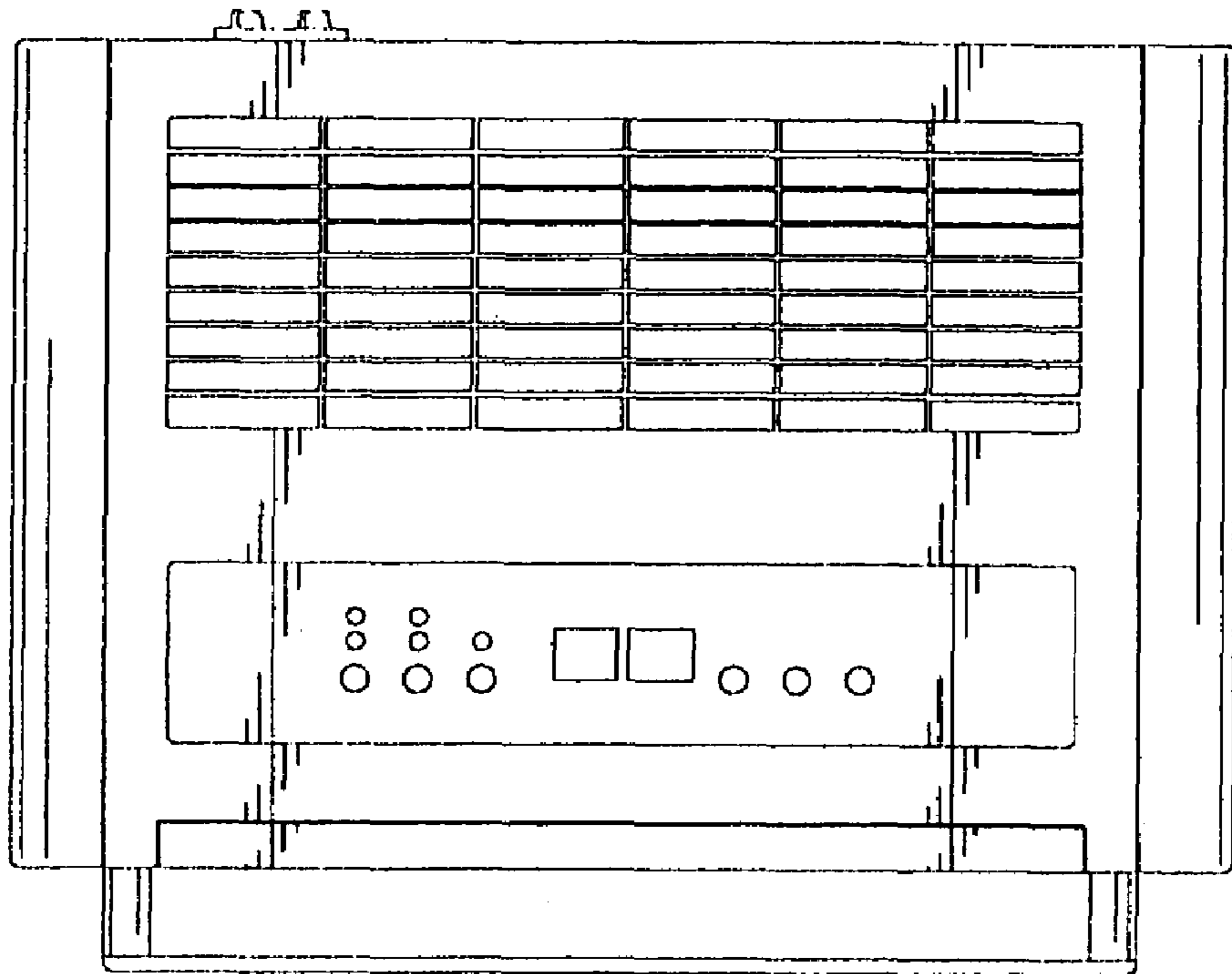


FIG.6

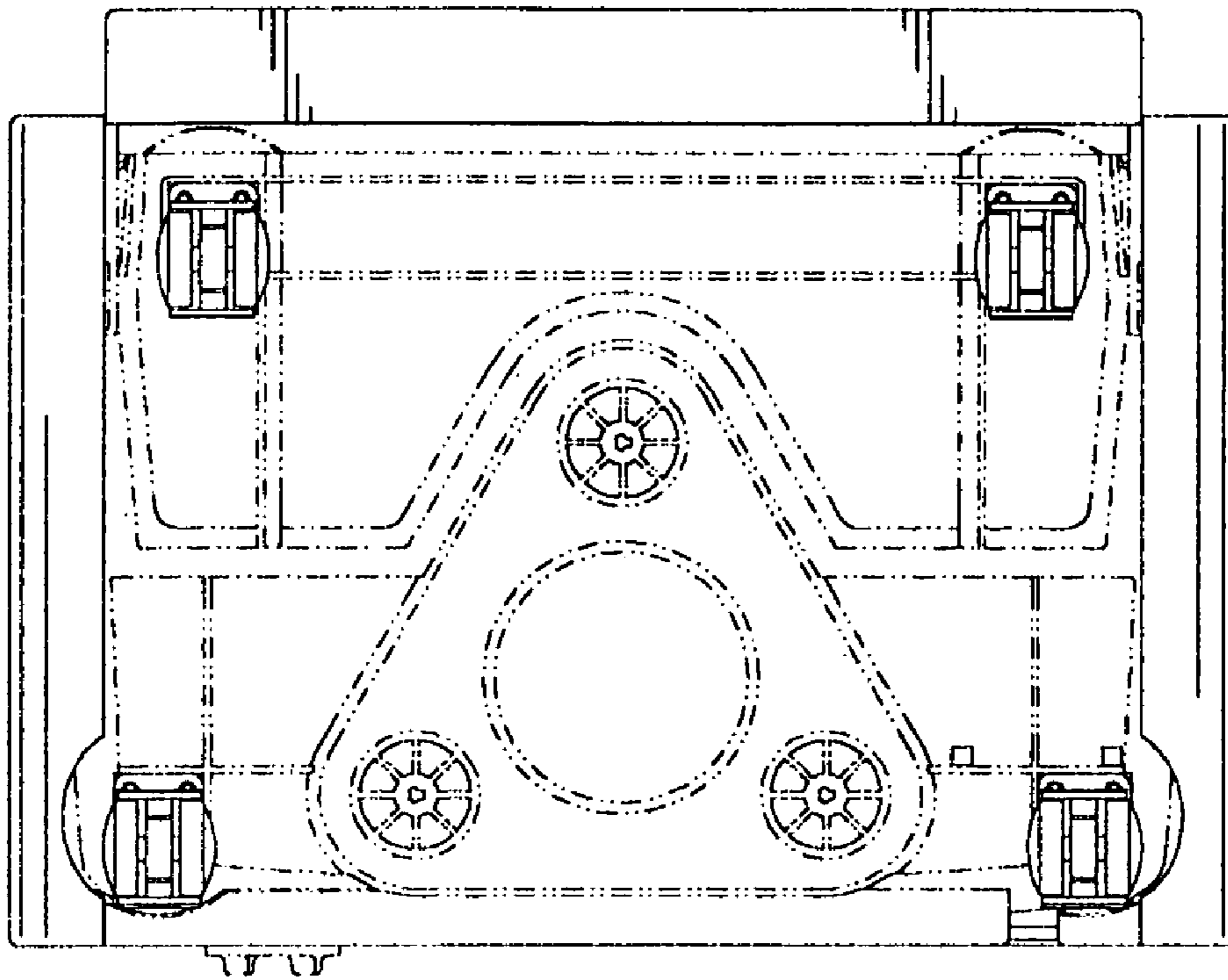


FIG.7

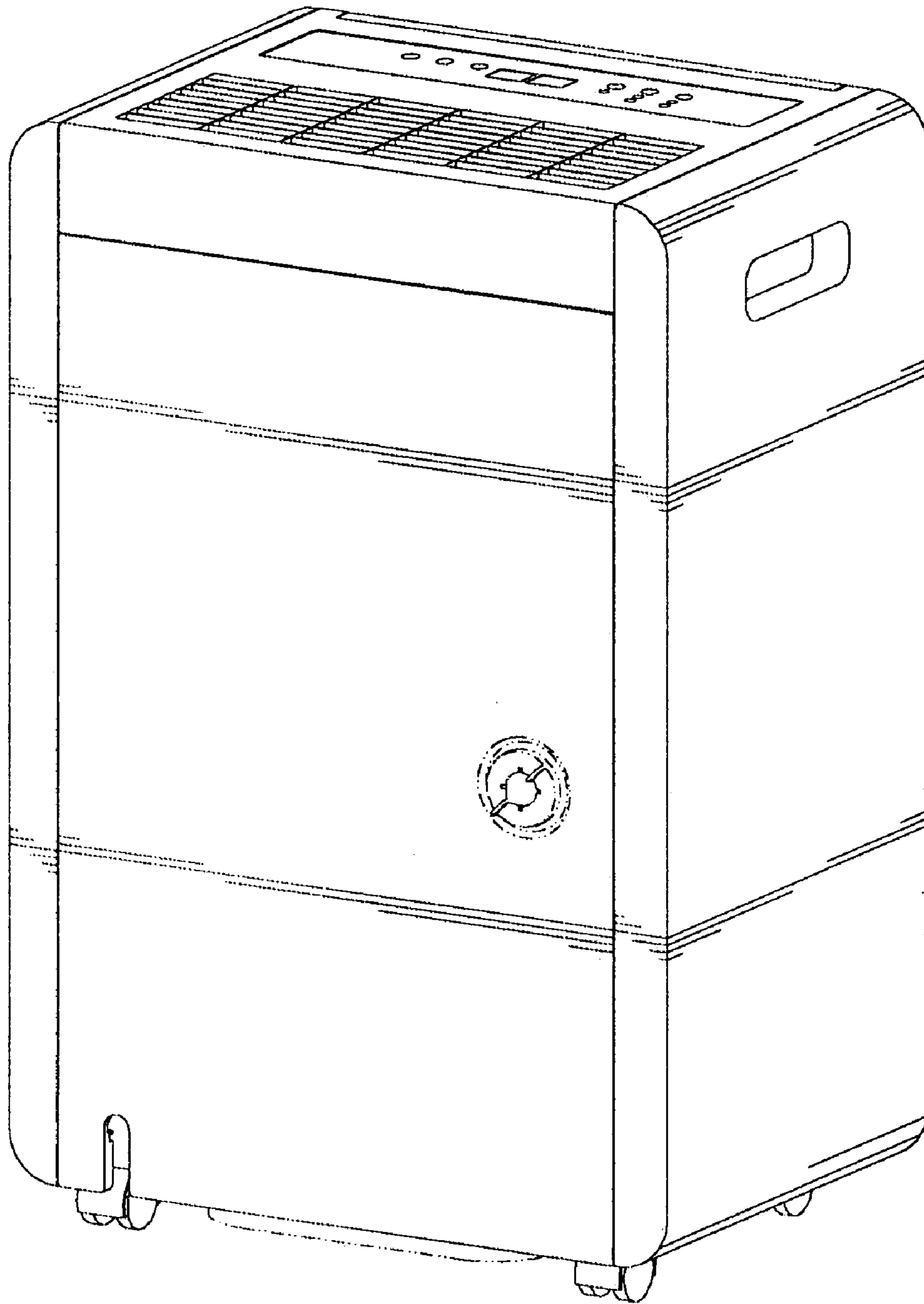


FIG.8