



US00D606182S

(12) **United States Design Patent**
Lee

(10) **Patent No.:** **US D606,182 S**
(45) **Date of Patent:** **** Dec. 15, 2009**

(54) **CERAMIC HEATER**

D580,030 S * 11/2008 Shapiro D23/342

(75) Inventor: **Hyung-Seok Lee**, Chicago, IL (US)

* cited by examiner

(73) Assignee: **Sunbeam Products, Inc.**, Boca Raton, FL (US)

Primary Examiner—T. Chase Nelson
Assistant Examiner—Ania K Dworzecka

(74) *Attorney, Agent, or Firm*—Lawrence J. Shurupoff

(**) Term: **14 Years**

(57) **CLAIM**

(21) Appl. No.: **29/336,689**

The ornamental design for a ceramic heater, as shown and described.

(22) Filed: **May 7, 2009**

(51) **LOC (9) Cl.** **23-03**

DESCRIPTION

(52) **U.S. Cl.** **D23/314; D23/335; D23/378; D23/332**

FIG. 1 is a front right perspective view of the ceramic heater showing the new design;

(58) **Field of Classification Search** D23/317, D23/314, 332, 333, 334, 335, 337, 342, 351, D23/355, 378, 370, 381, 364, 336, 341; 416/244 R, 416/247 R, 53.1–53.3; 392/365, 367

FIG. 2 is a front elevation view thereof;

FIG. 3 is a back elevation view thereof;

FIG. 4 is a left side elevation thereof;

FIG. 5 is a right side elevation thereof;

FIG. 6 is a top plan view thereof; and,

FIG. 7 is a bottom plan view thereof.

See application file for complete search history.

The broken lines in the drawings are for illustrative purposes only and form no part of the claimed design.

(56) **References Cited**

U.S. PATENT DOCUMENTS

D446,291 S	*	8/2001	Birdsell et al.	D23/332
D510,989 S	*	10/2005	Dooley	D23/335
D514,687 S	*	2/2006	Dooley	D23/378
D569,957 S	*	5/2008	Shapiro	D23/317

1 Claim, 2 Drawing Sheets

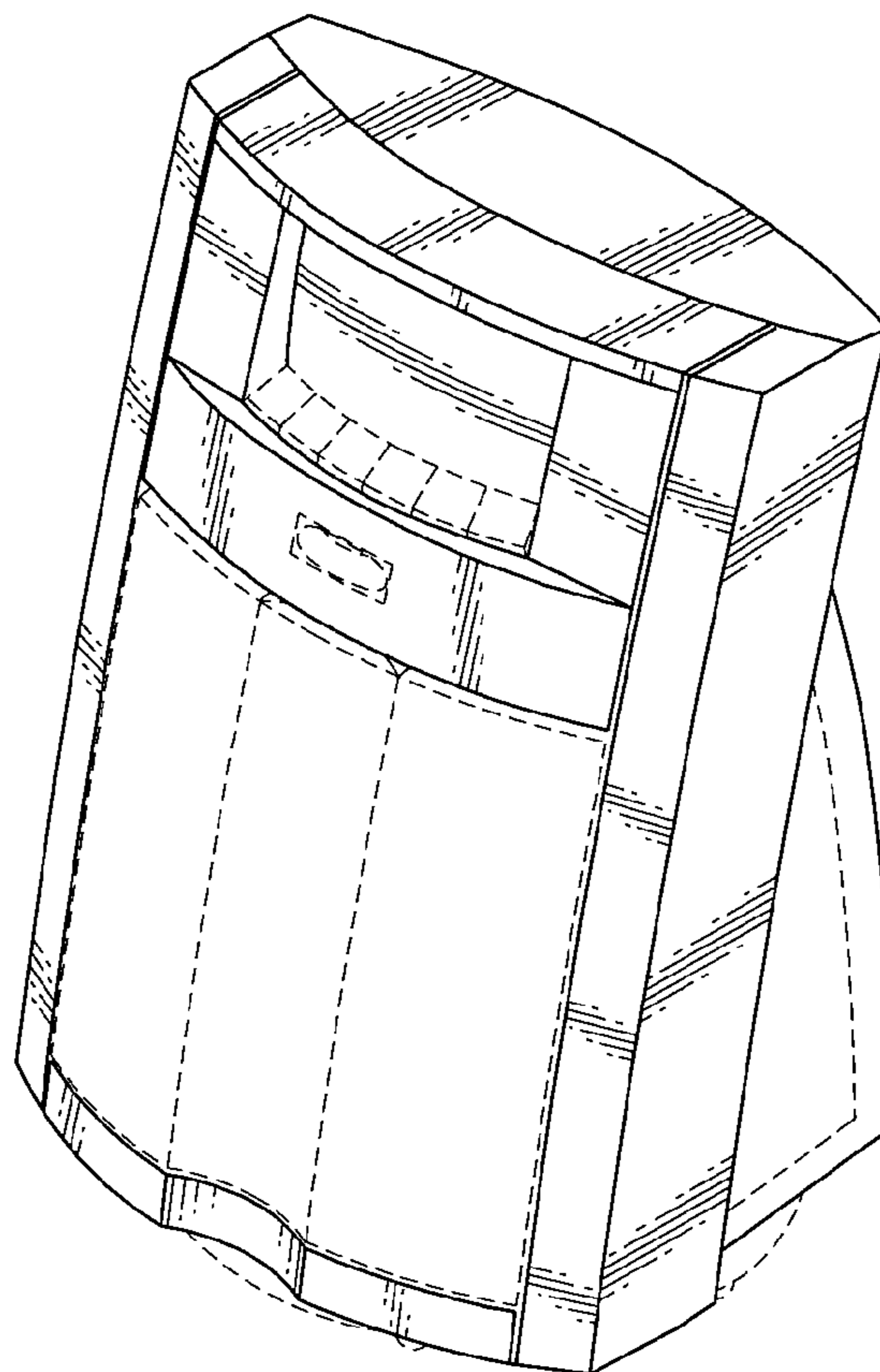


FIG. 1

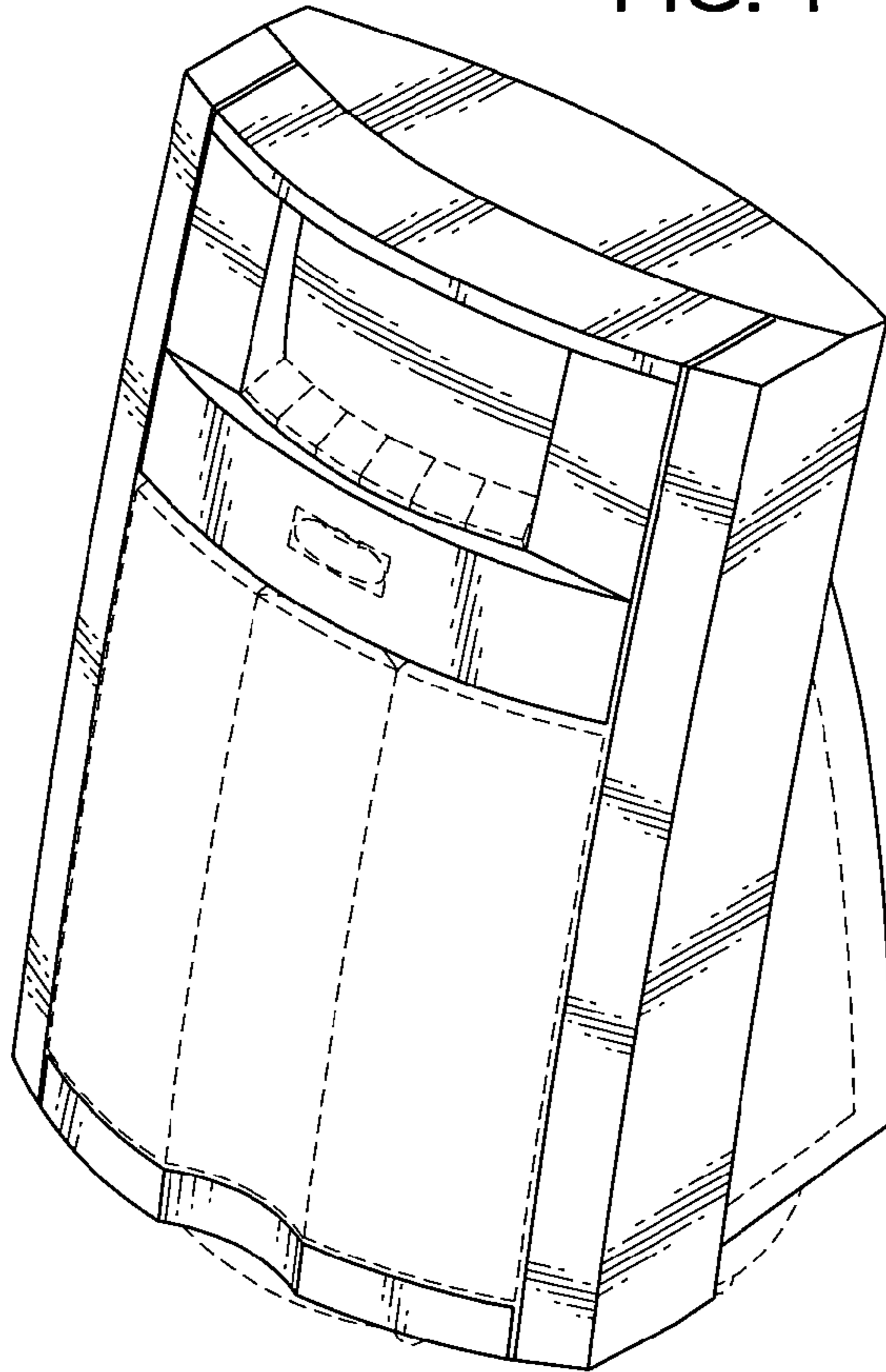


FIG. 6

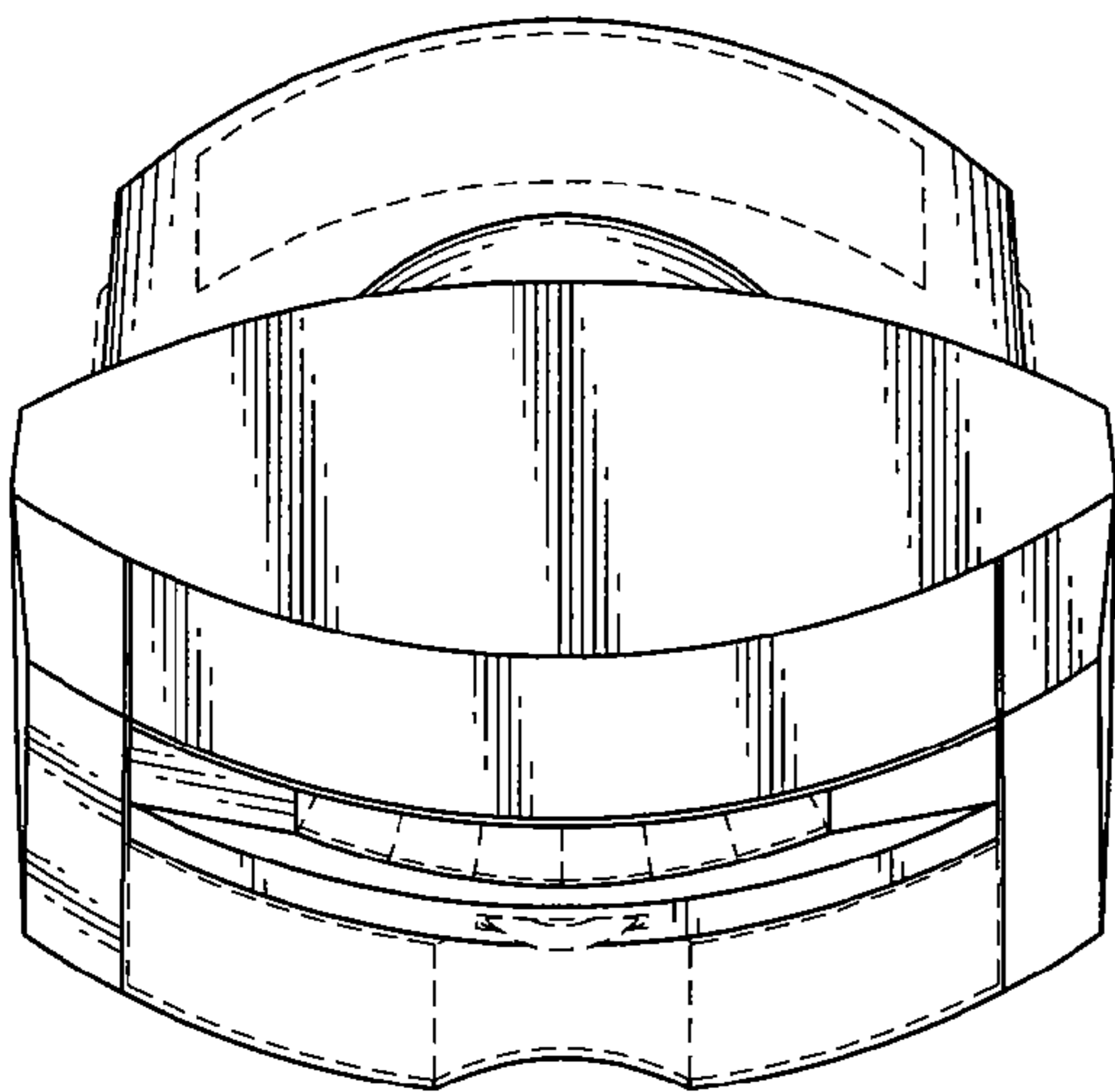


FIG. 7

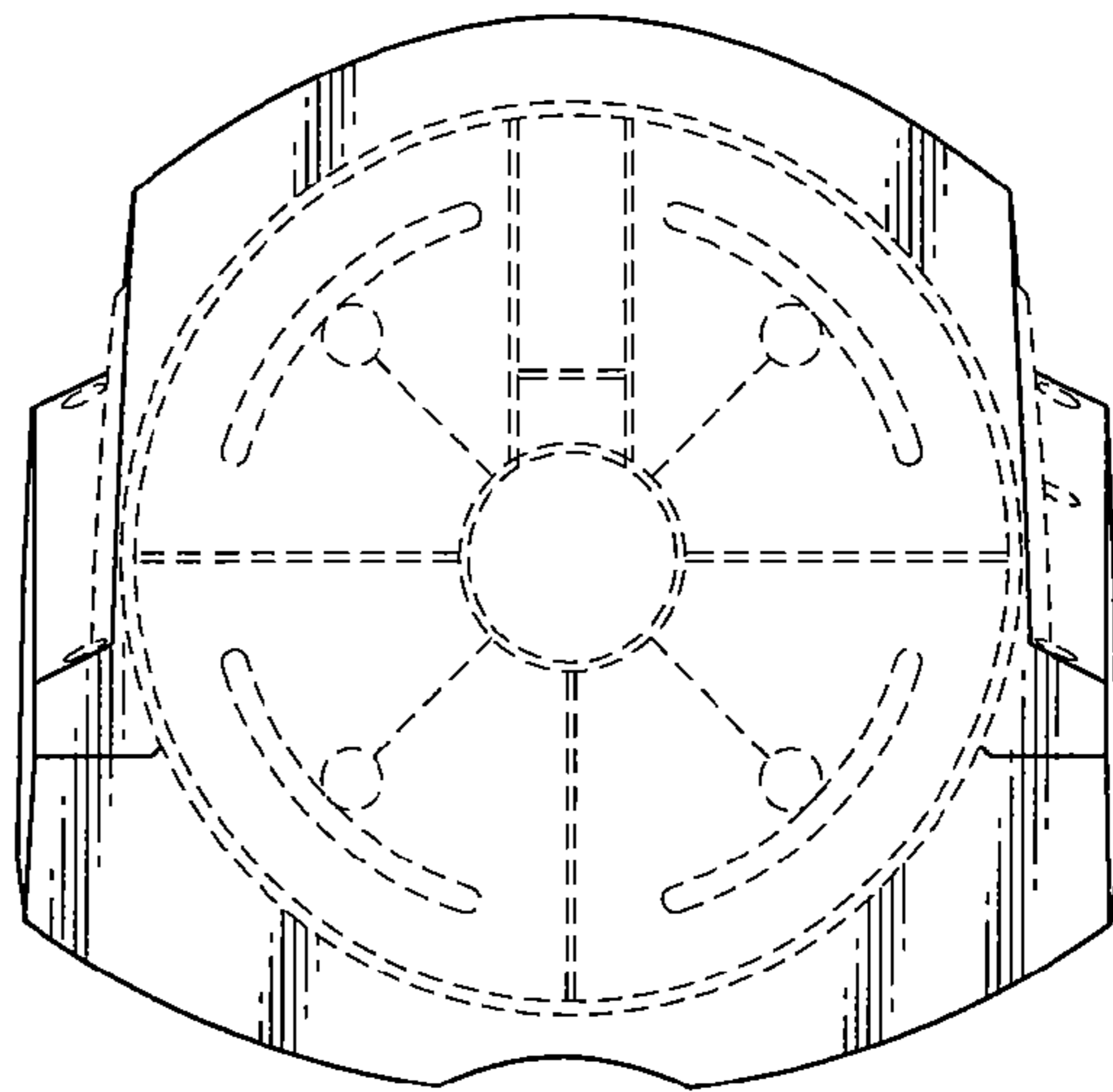


FIG. 2

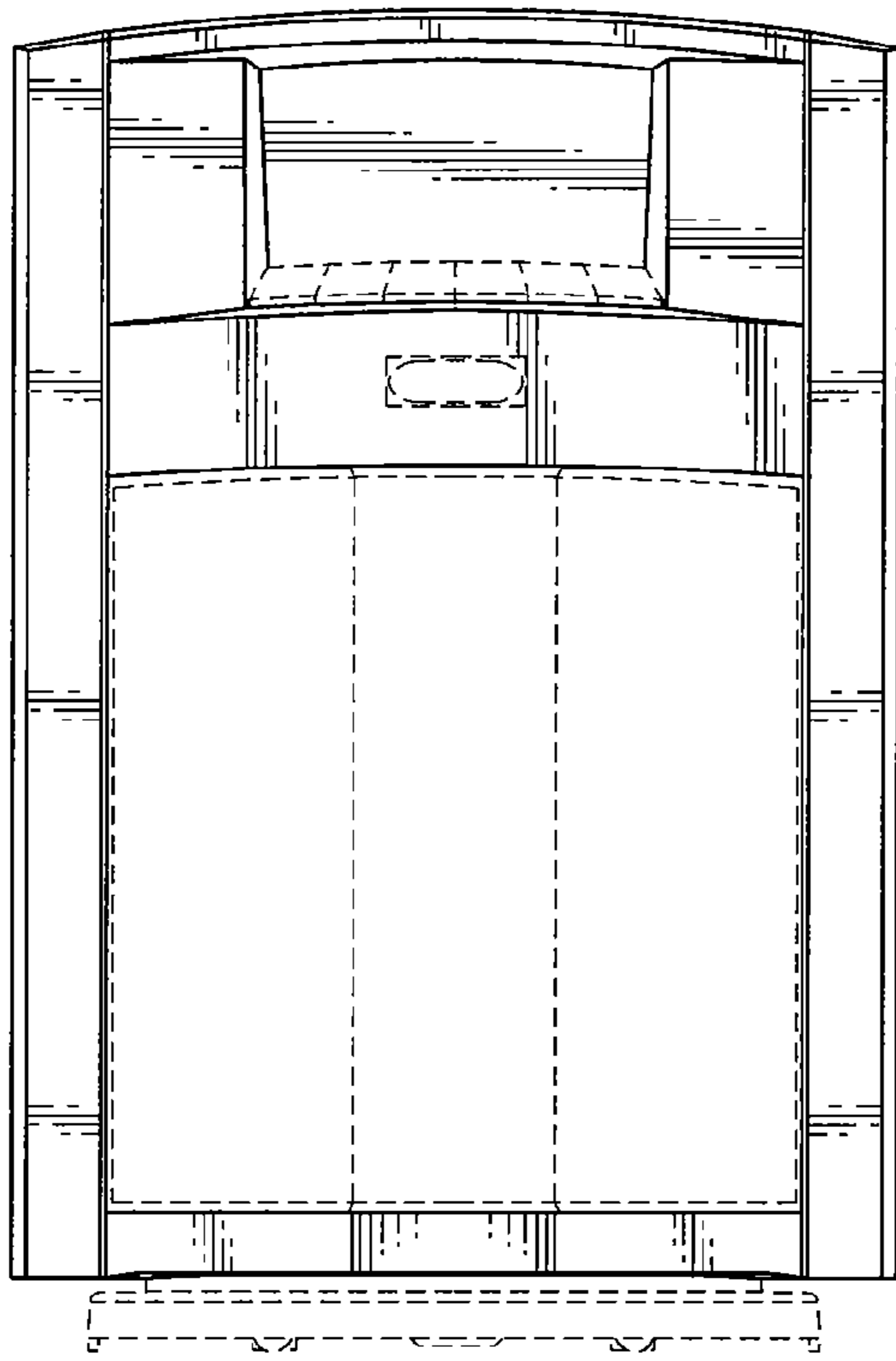


FIG. 3

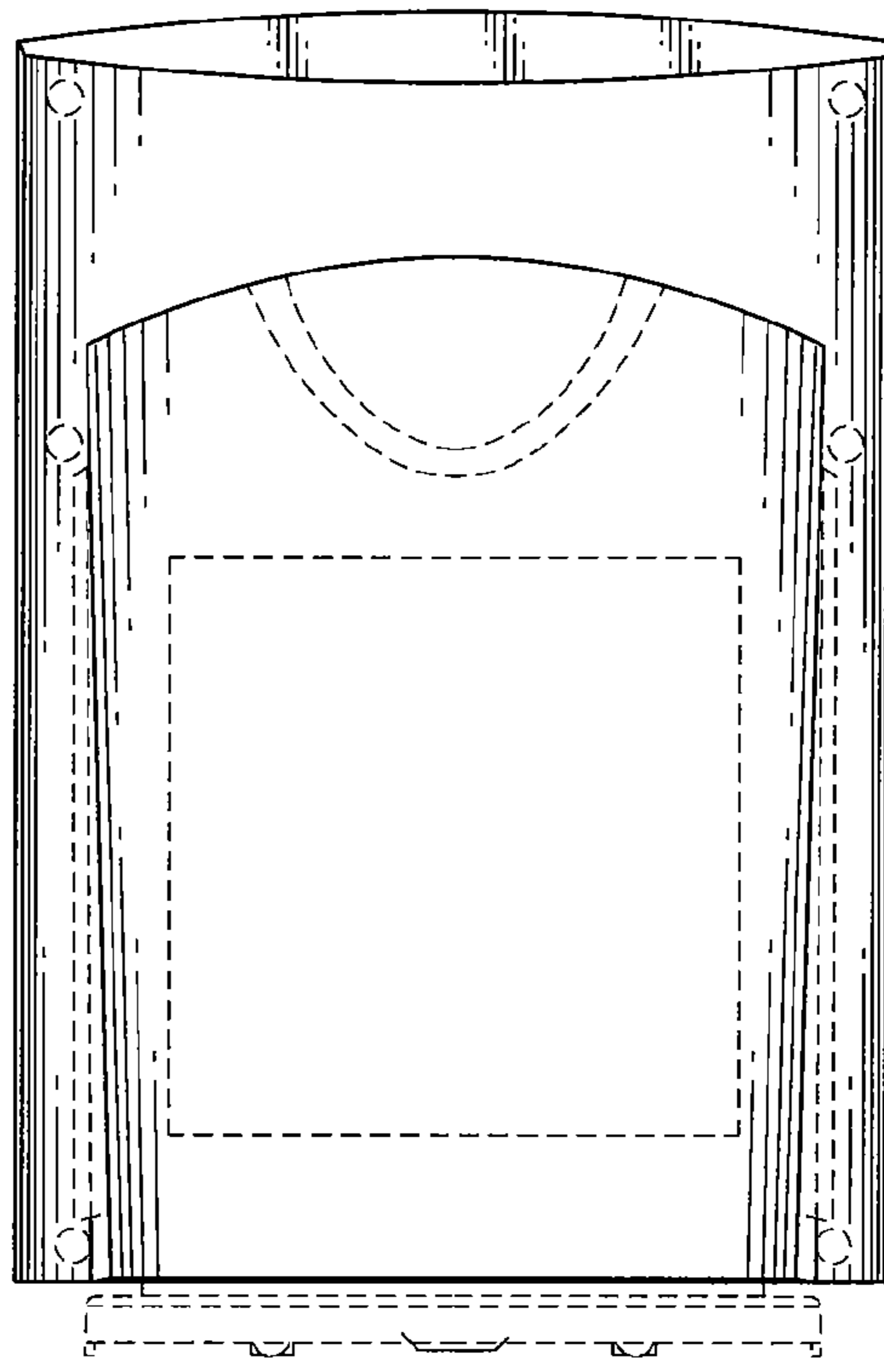


FIG. 4

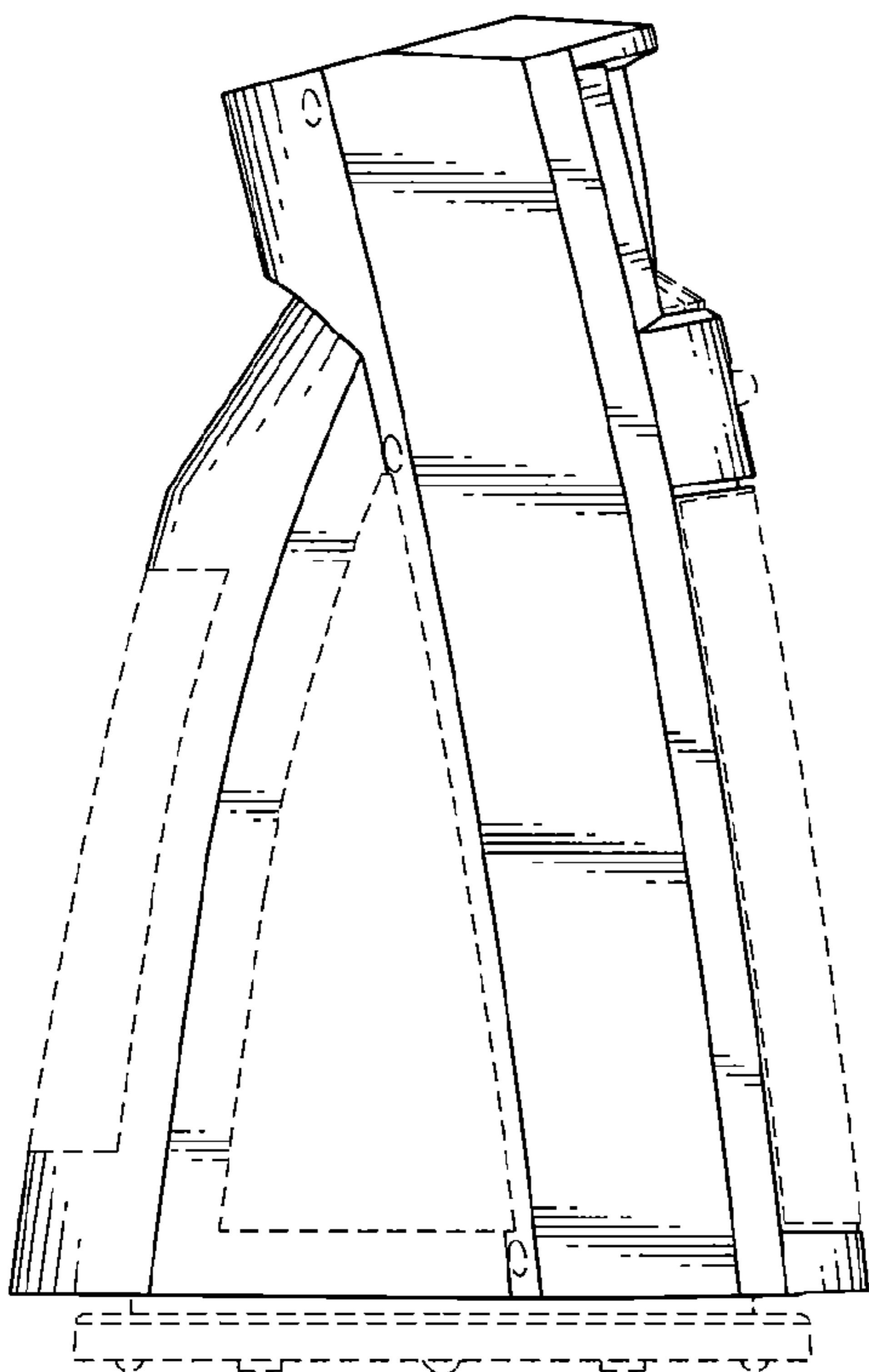


FIG. 5

