



US00D606181S

(12) **United States Design Patent**  
**Bock et al.**

(10) **Patent No.:** **US D606,181 S**  
(45) **Date of Patent:** **\*\* Dec. 15, 2009**

(54) **CABINET FOR A COMMERCIAL AIRCRAFT PASSENGER CABIN LAVATORY**

D519,763 S \* 5/2006 Larger et al. .... D6/511

(75) Inventors: **Thomas-Mathias Bock**, Grenade sur Garonne (FR); **Torsten Jaunich**, Fulda (DE); **Tobias Schmidt-Schaeffer**, Munich (DE)

(73) Assignee: **AIRBUS SAS**, Blagnac Cedex (FR)

(\*\*) Term: **14 Years**

(21) Appl. No.: **29/336,626**

(22) Filed: **May 6, 2009**

**Related U.S. Application Data**

(62) Division of application No. 29/281,130, filed on Jun. 15, 2007, now Pat. No. Des. 594,099.

(51) **LOC (9) Cl.** ..... **23-02**

(52) **U.S. Cl.** ..... **D23/303; D6/441**

(58) **Field of Classification Search** ..... D23/270–274, D23/286, 299, 275, 279, 303, 308–309; D25/138, D25/16; D6/397–398, 429–430, 433, 437, D6/439, 443–444, 446, 509–510; D12/345, D12/319; 4/662–665, 420, 449, 460, 483, 4/619, 661, 670, 210, DIG. 15; 114/189; 244/118.5; 49/40

See application file for complete search history.

(56) **References Cited**

**U.S. PATENT DOCUMENTS**

D113,012 S *	1/1939	Morgan	.....	D6/446
D144,671 S *	5/1946	Adolf	.....	D23/286
D265,957 S *	8/1982	Wolf et al.	.....	D6/446
D300,887 S *	5/1989	Evans	.....	D6/436
4,884,767 A *	12/1989	Shibata	.....	244/118.5
D325,478 S *	4/1992	Ward	.....	D6/446
D340,536 S *	10/1993	Adolfsson	.....	D25/138
D341,274 S *	11/1993	van den Nieuwelaar	.....	D6/433
D364,755 S *	12/1995	Suarez	.....	D6/397
D369,923 S *	5/1996	Crane et al.	.....	D6/441
D378,533 S *	3/1997	Wolff	.....	D6/510
D384,265 S *	9/1997	Saravis	.....	D6/446
5,865,517 A *	2/1999	Wang	.....	D6/397
D451,701 S *	12/2001	Martin et al.	.....	D6/446
D486,565 S *	2/2004	Itakura	.....	D23/274

**OTHER PUBLICATIONS**

- U.S. Appl. No. 29/281,128. Title: Commercial Aircraft Passenger Cabin Lavatory And Elements Thereof, filed Jun. 15, 2007.
- U.S. Appl. No. 29/281,132. Title: Countertop For A Commercial Aircraft Passenger Cabin Lavatory, filed Jun. 15, 2007.
- U.S. Appl. No. 29/281,134. Title: Toilet For A Commercial Aircraft Passenger Cabin Lavatory, filed Jun. 15, 2007.
- U.S. Appl. No. 29/281,133. Title: Mirror For A Commercial Aircraft Passenger Cabin Lavatory, filed Jun. 15, 2007.
- U.S. Appl. No. 29/281,120. Title: Commercial Aircraft Passenger Cabin Lavatory And Elements Thereof, filed Jun. 15, 2007.
- U.S. Appl. No. 29/281,122. Title: Commercial Aircraft Passenger Cabin Lavatory And Elements Thereof, filed Jun. 15, 2007.
- U.S. Appl. No. 29/281,129. Title: Commercial Aircraft Passenger Cabin Lavatory And Elements Thereof, filed Jun. 15, 2007.
- U.S. Appl. No. 29/281,125. Title: Commercial Aircraft Passenger Cabin Lavatory And Elements Thereof, filed Jun. 15, 2007.

\* cited by examiner

*Primary Examiner*—Robert A Delehanty  
(74) *Attorney, Agent, or Firm*—Osler, Hoskin & Harcourt LLP

(57) **CLAIM**

The ornamental design for a cabinet for a commercial aircraft passenger cabin lavatory, as shown and described.

**DESCRIPTION**

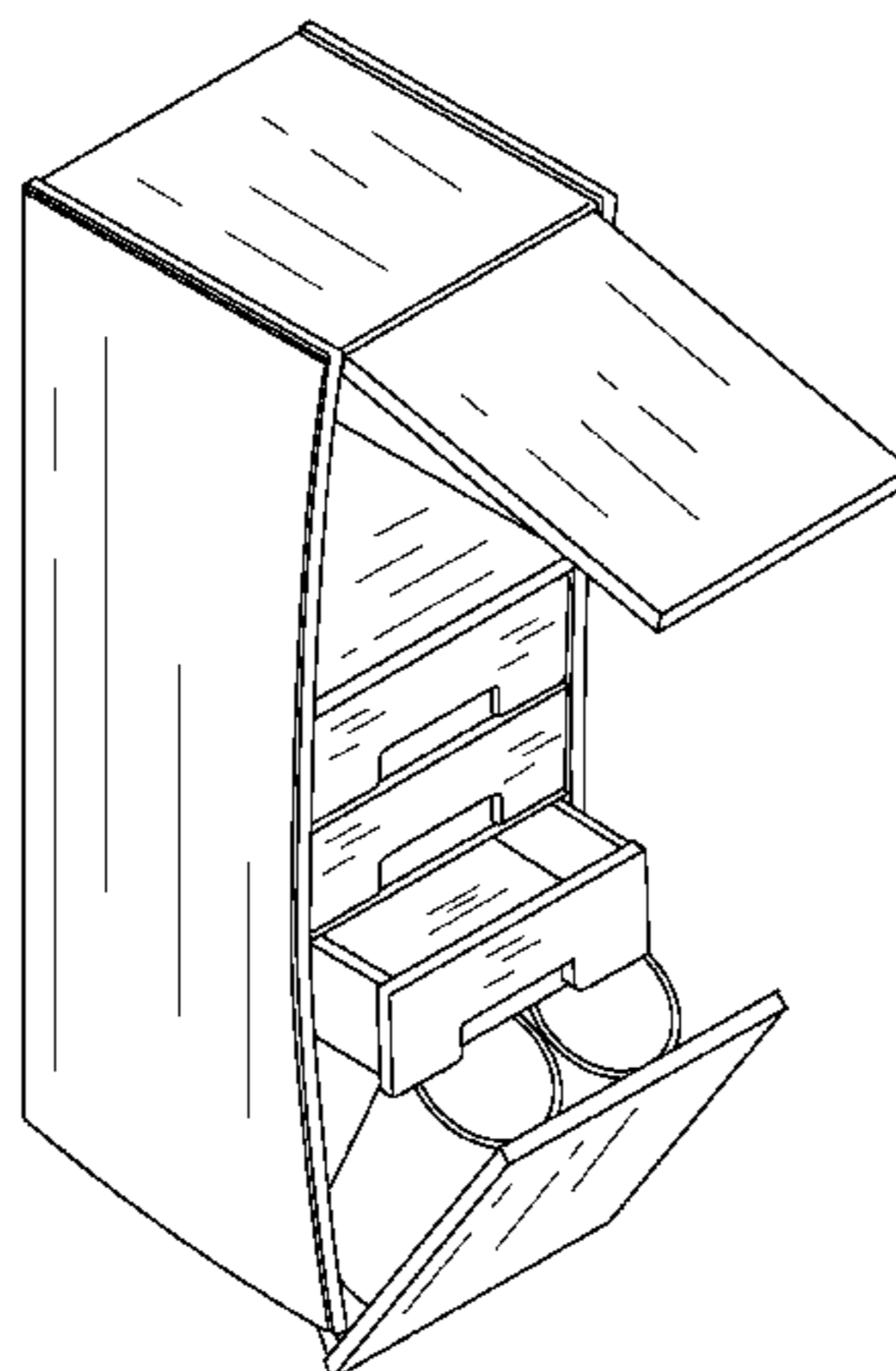
FIG. 1 is a perspective view, taken from a front, right side, showing a cabinet for a commercial aircraft passenger cabin lavatory according to a first embodiment of our design;

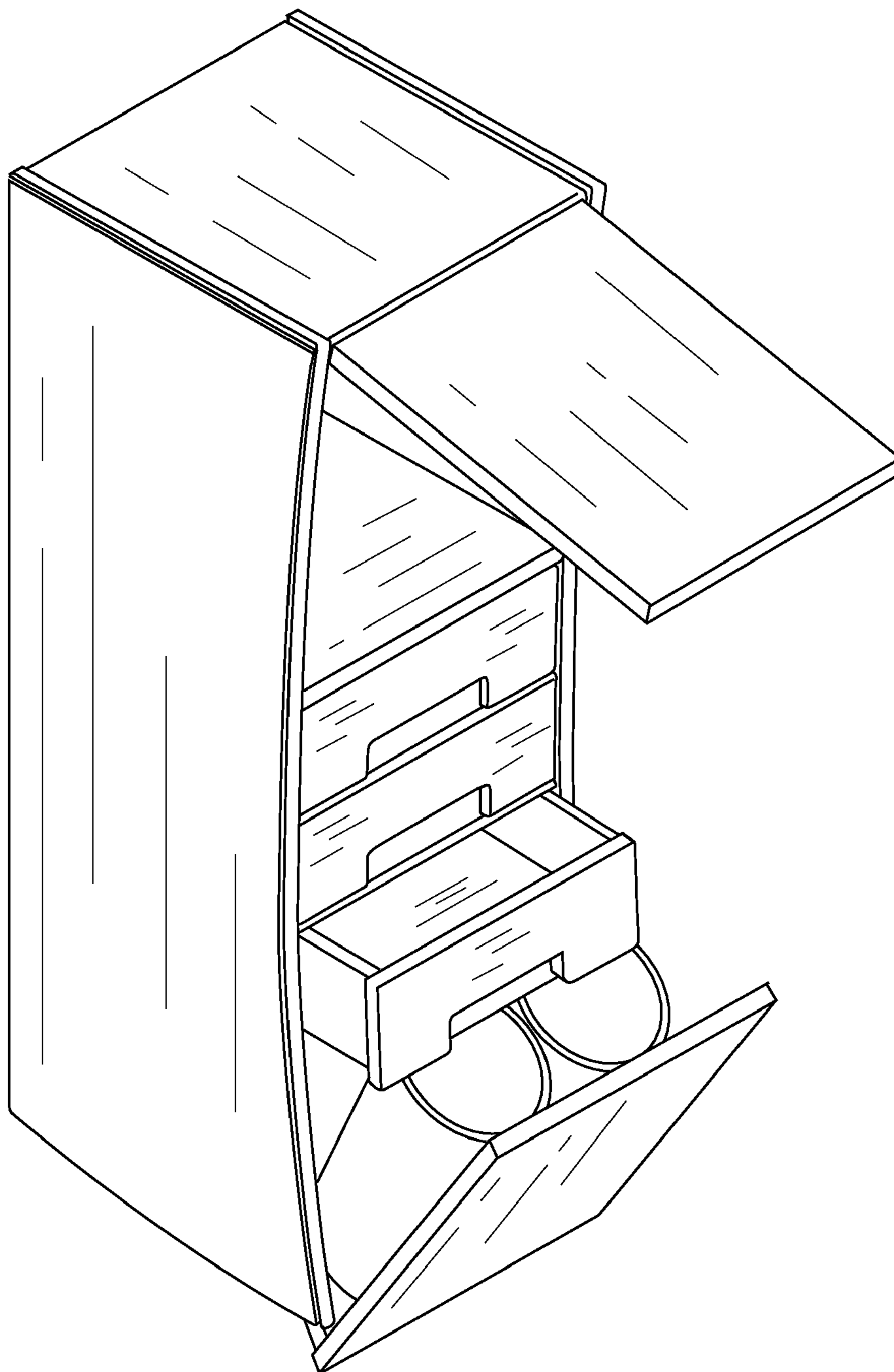
FIG. 2 is a right side elevation view thereof, a left side elevation view being a mirror image thereof;

FIG. 3 is a perspective view, taken from a front, left side, showing a cabinet for a commercial aircraft passenger cabin lavatory according to a second embodiment of our design; and,

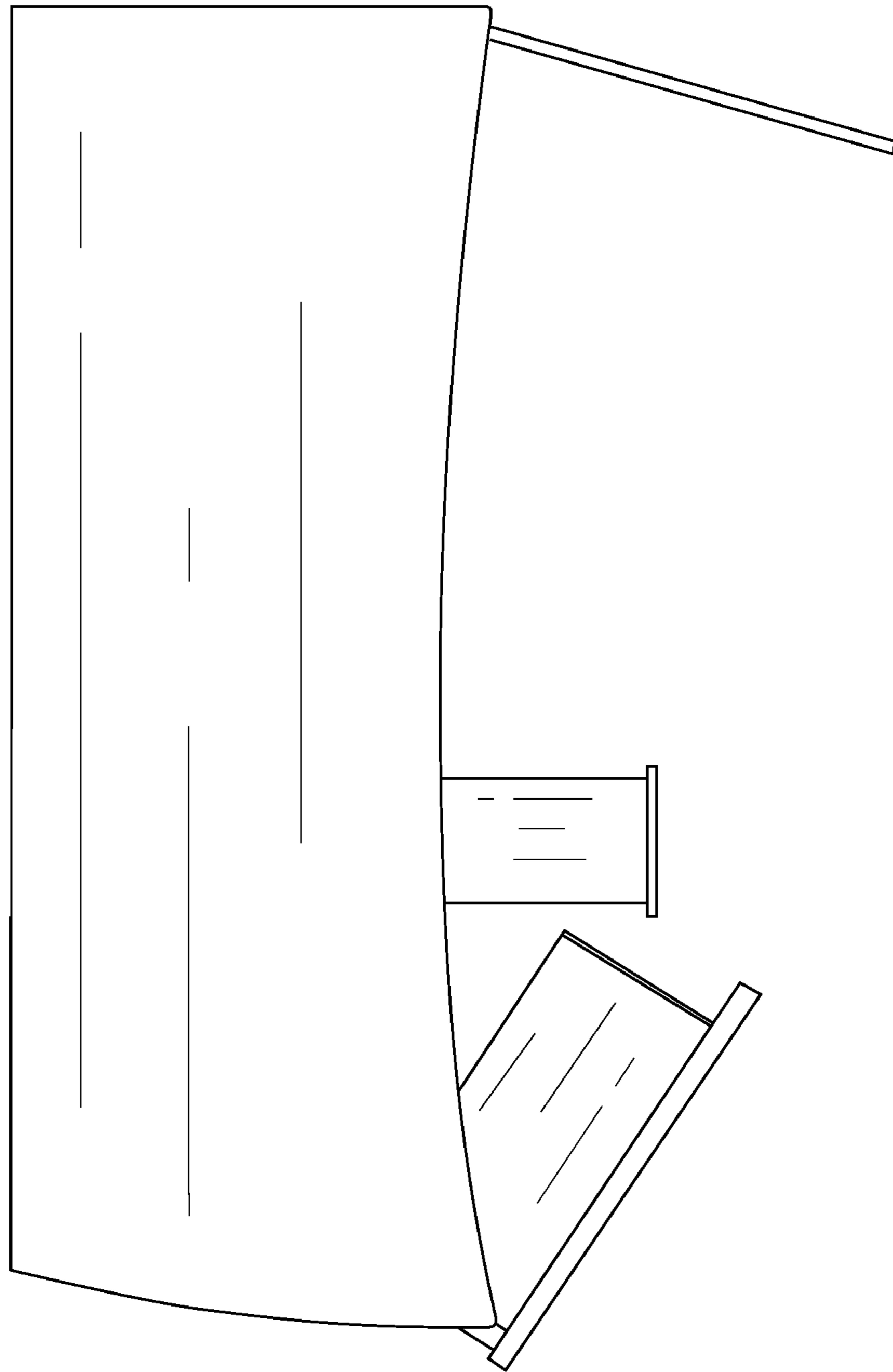
FIG. 4 is a left side elevation view thereof, a right side elevation view being a mirror image thereof.

**1 Claim, 4 Drawing Sheets**

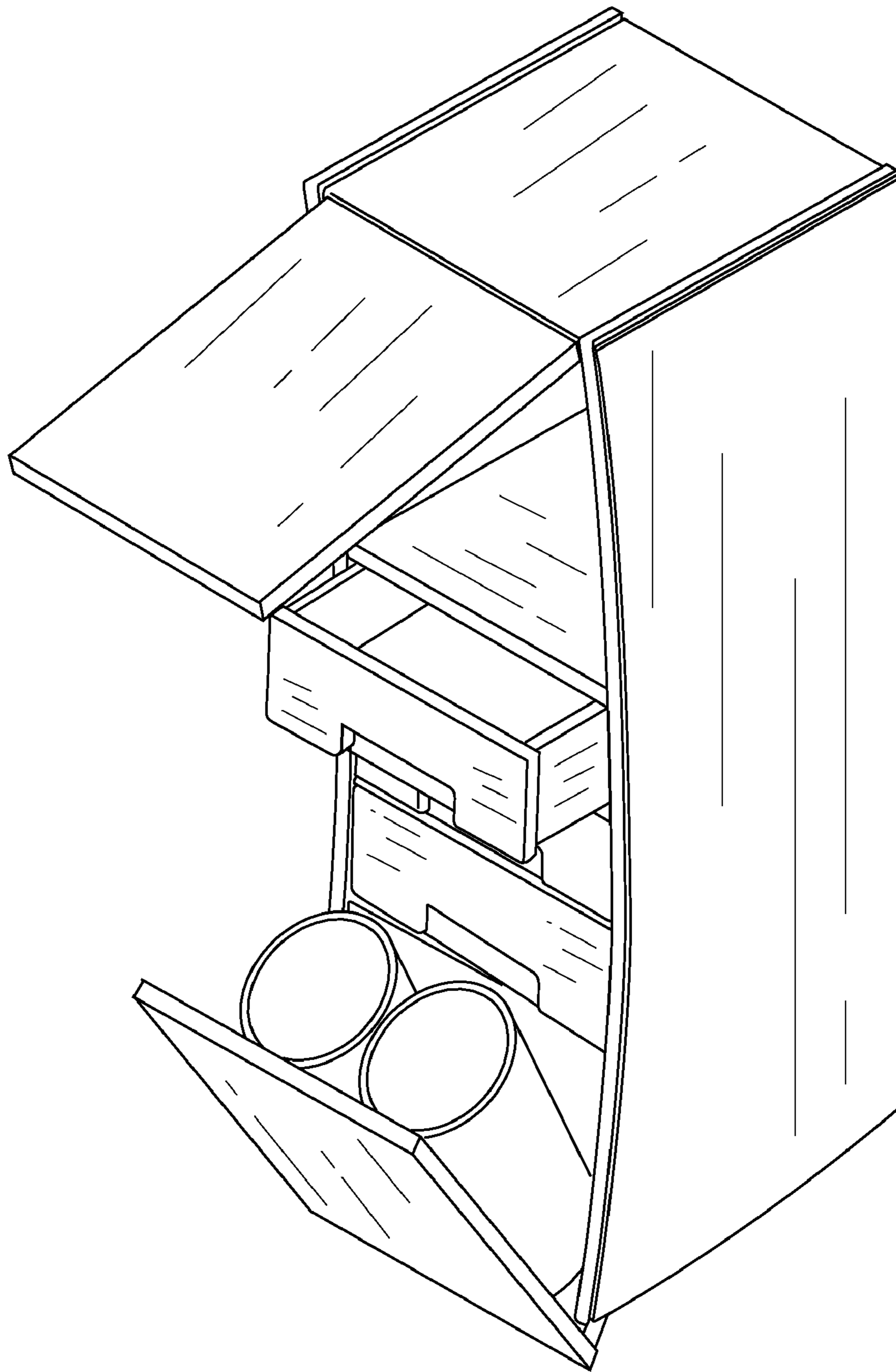




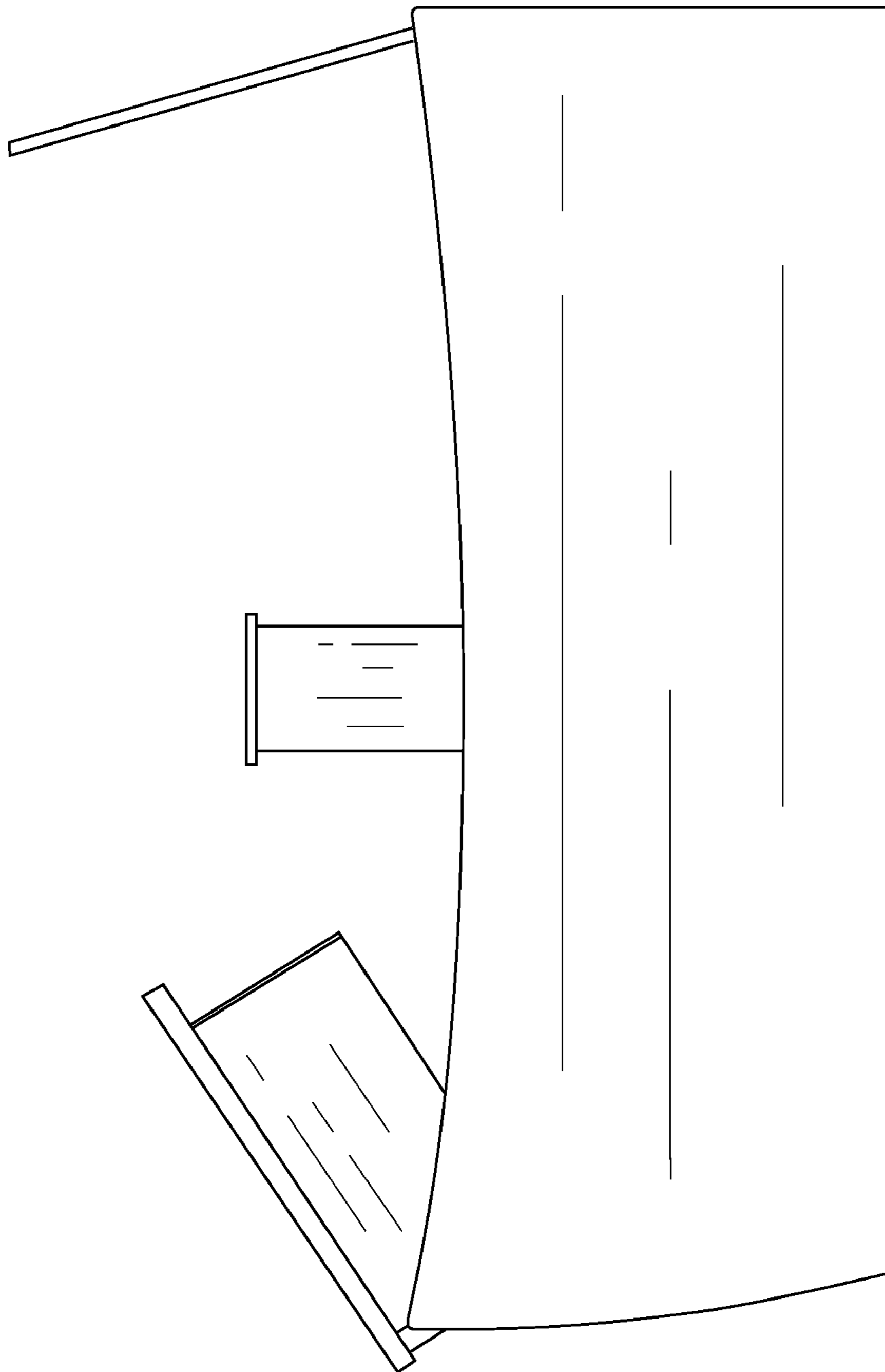
**FIG. 1**



**FIG. 2**



**FIG. 3**



**FIG. 4**