



US00D606178S

(12) **United States Design Patent**
Cummings et al.

(10) **Patent No.:** **US D606,178 S**
(45) **Date of Patent:** **** Dec. 15, 2009**

(54) **TOILET PAN**

FOREIGN PATENT DOCUMENTS

(75) Inventors: **Stephen John Cummings**, Newport (AU); **Vincent Kai Hong Ho**, Stanmore (AU)

AU 12647/2008 6/2008
AU 12649/2008 6/2008

* cited by examiner

(73) Assignee: **Caroma Industries Limited**, Brisbane (AU)

Primary Examiner—Robert A Delehanty
(74) *Attorney, Agent, or Firm*—Dascenzo Intellectual Property Law, P.C.

(**) Term: **14 Years**

(21) Appl. No.: **29/328,035**

(57) **CLAIM**

(22) Filed: **Nov. 18, 2008**

We claim the ornamental design for a toilet pan, as shown and described.

(30) **Foreign Application Priority Data**

DESCRIPTION

Jun. 3, 2008 (AU) 12648/2008

FIG. 1 is an isometric front view showing the new design.

(51) **LOC (9) Cl.** **23-02**

FIG. 2 is a front view of the new design.

(52) **U.S. Cl.** **D23/295**

FIG. 3 is a rear view of the new design.

(58) **Field of Classification Search** D23/273-274, D23/295-301, 309; 4/663-664, 300, 329, 4/353, 420, 443, 449, 902

FIG. 4 is a right side view of the new design.

FIG. 5 is a left side view of the new design.

See application file for complete search history.

FIG. 6 is a top view of the new design; and,

FIG. 7 is a bottom view of the new design.

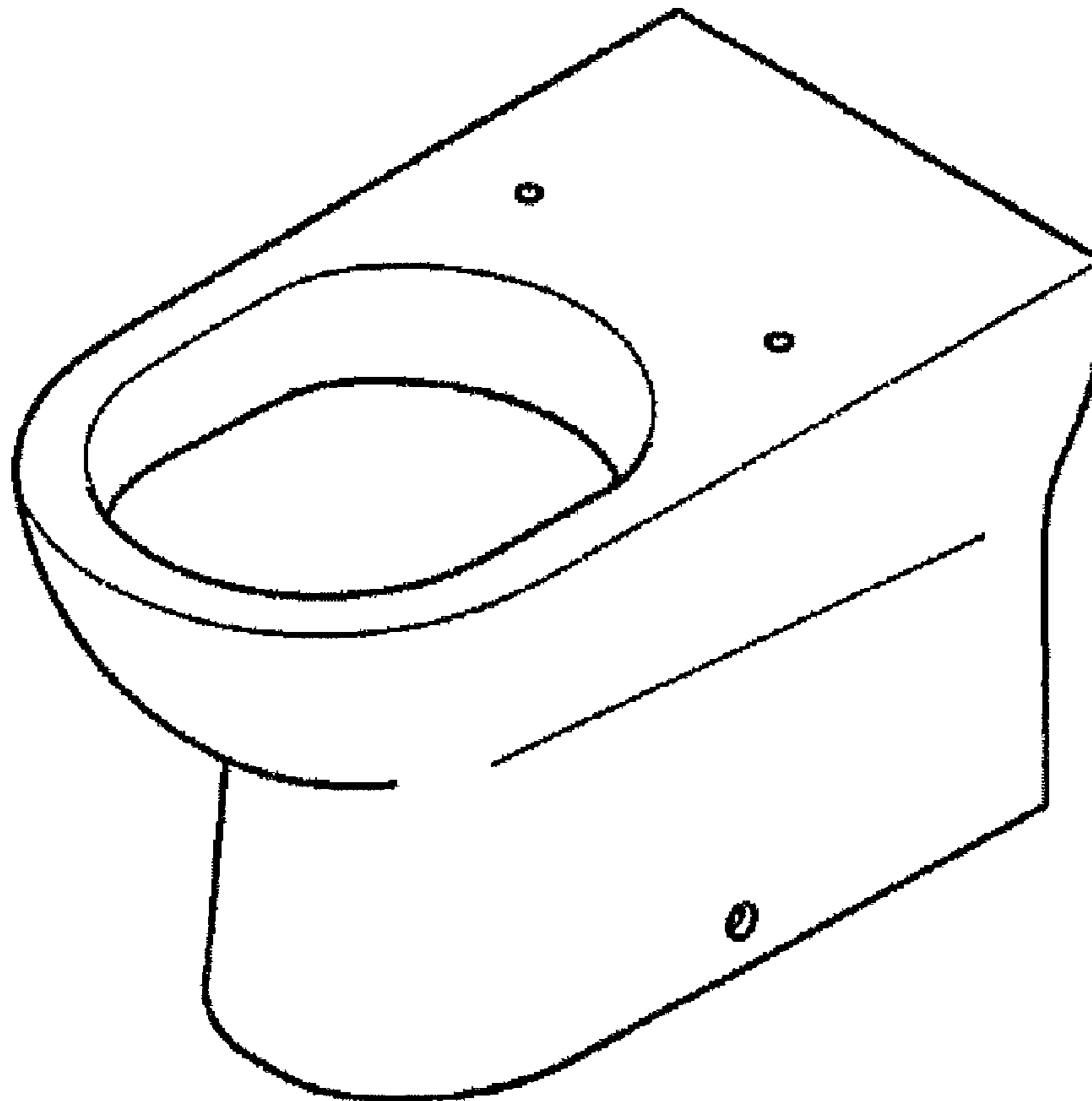
(56) **References Cited**

The broken line(s) shown in the drawings are for illustrative purposes only and form no part of the claimed design.

U.S. PATENT DOCUMENTS

D531,288 S * 10/2006 Soulier D23/295
D587,356 S * 2/2009 Cummings D23/295

1 Claim, 2 Drawing Sheets



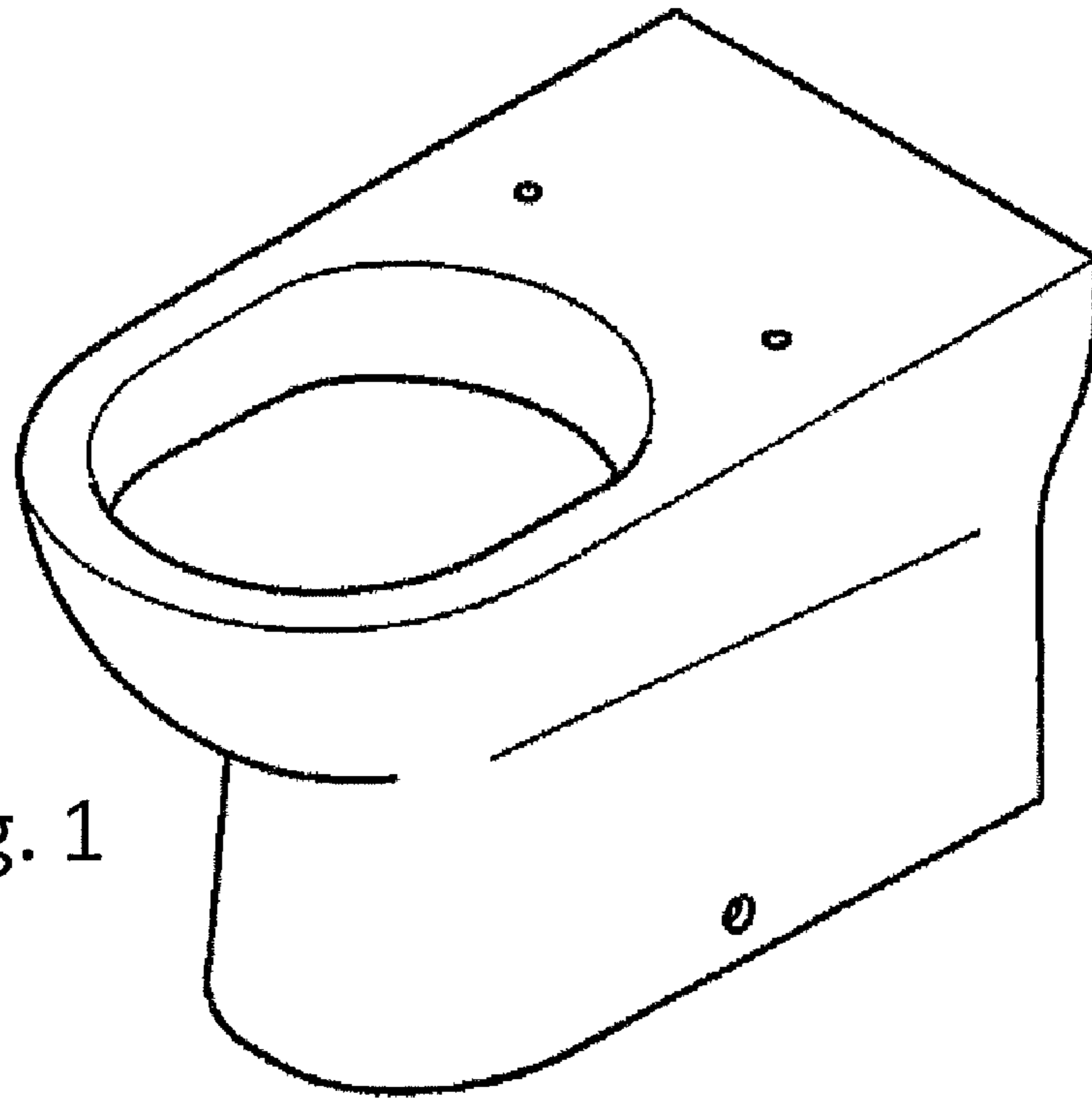


Fig. 1

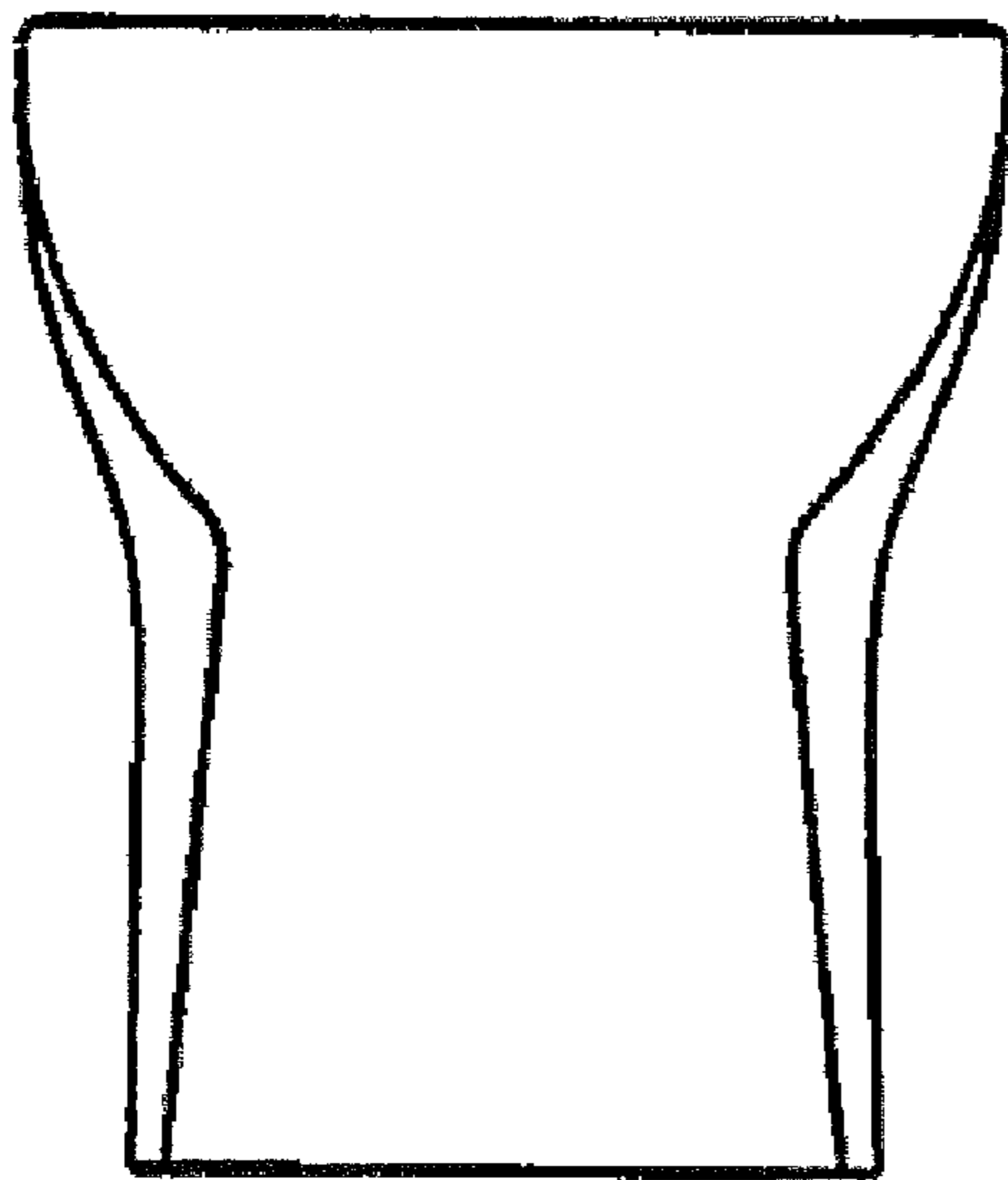


Fig. 2

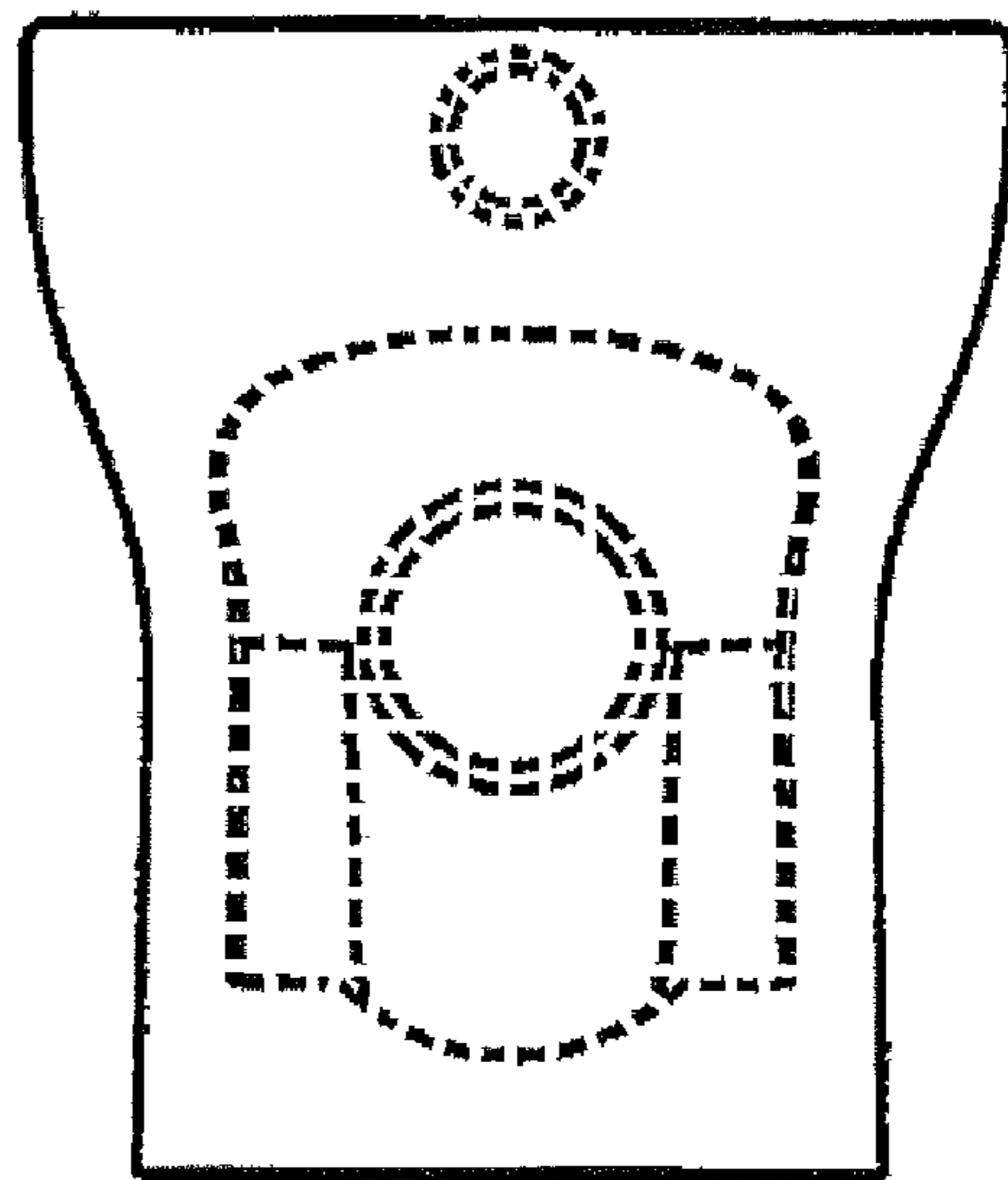


Fig. 3

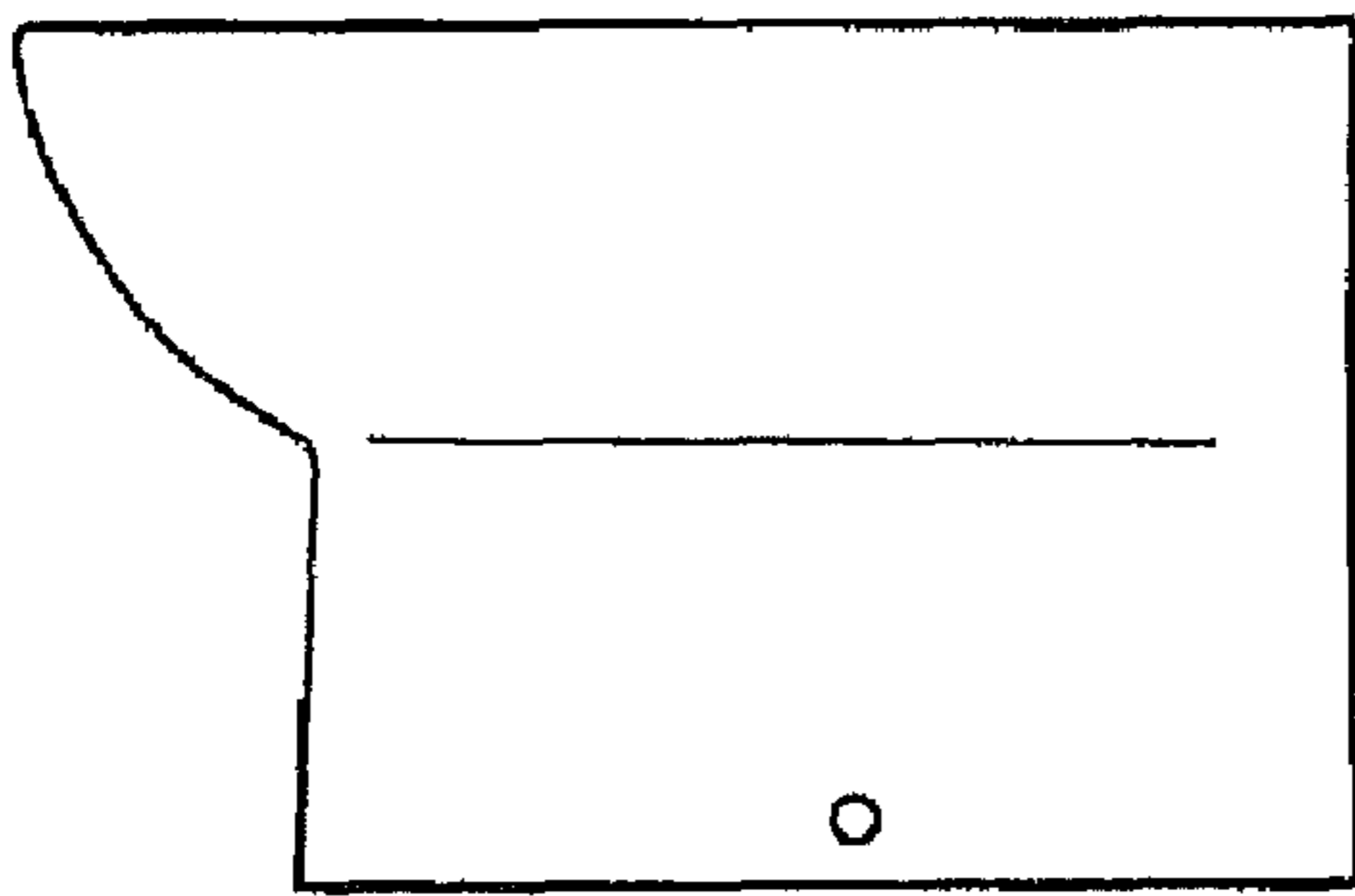


Fig. 4

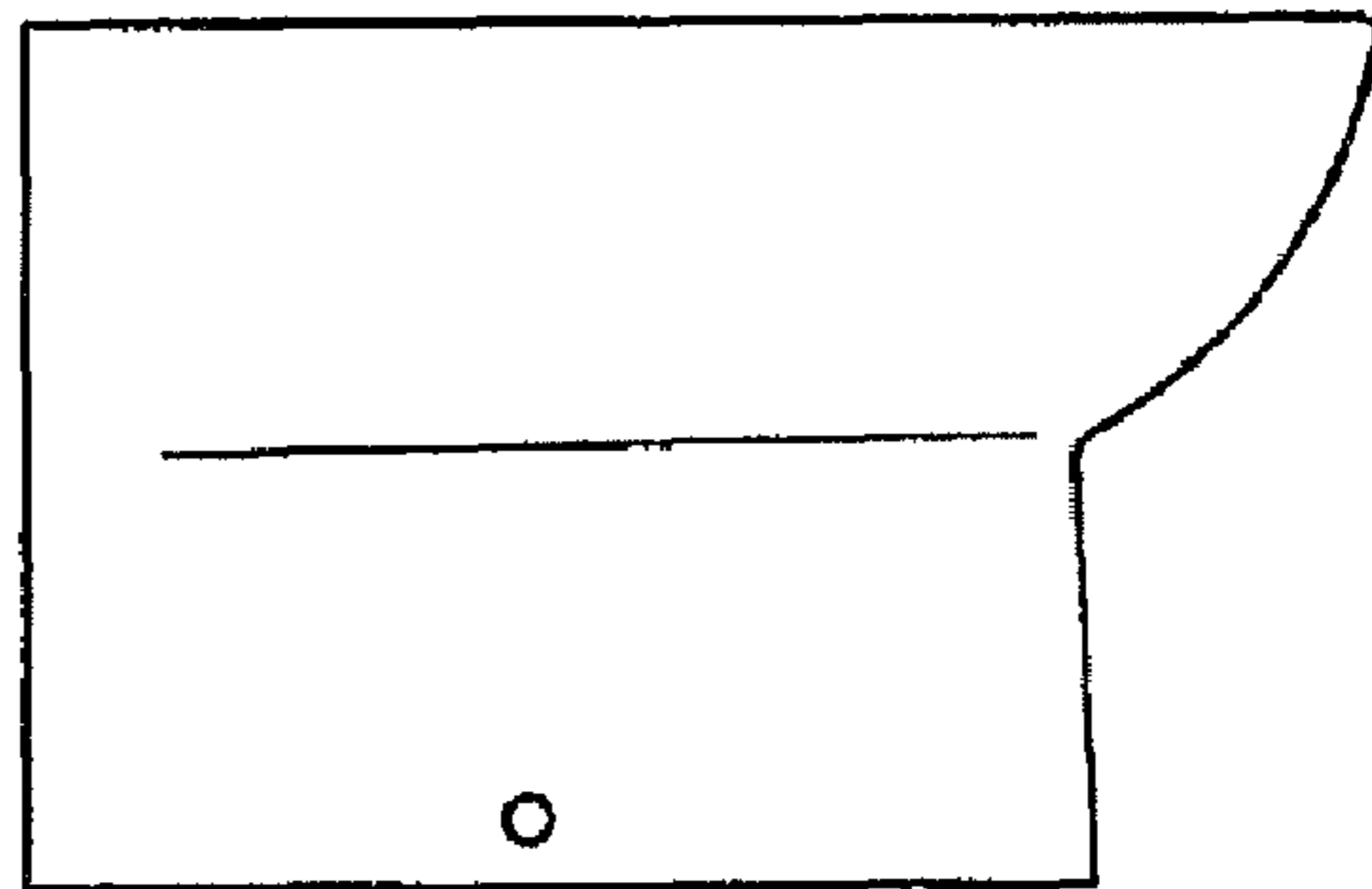


Fig. 5

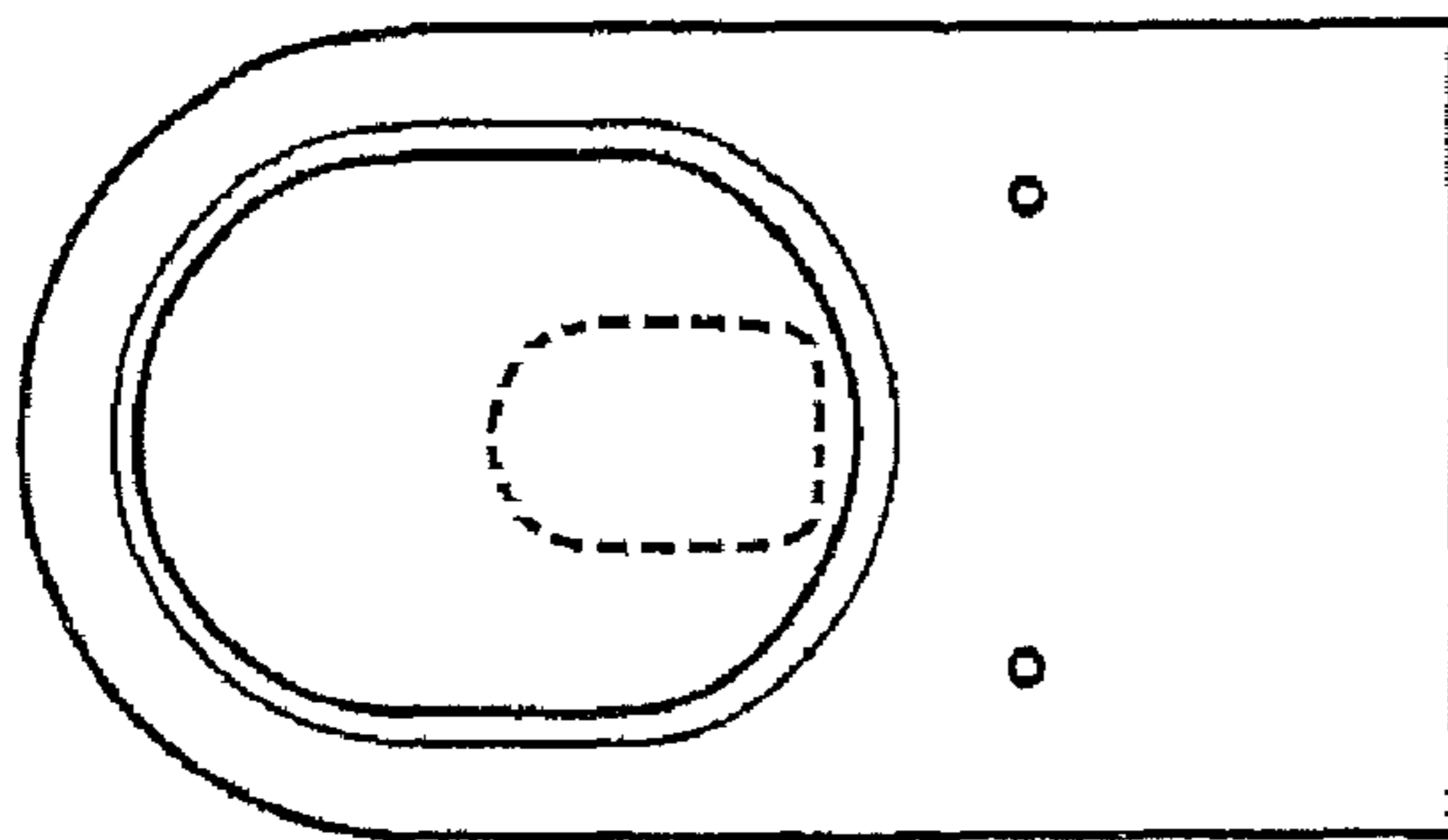


Fig. 6

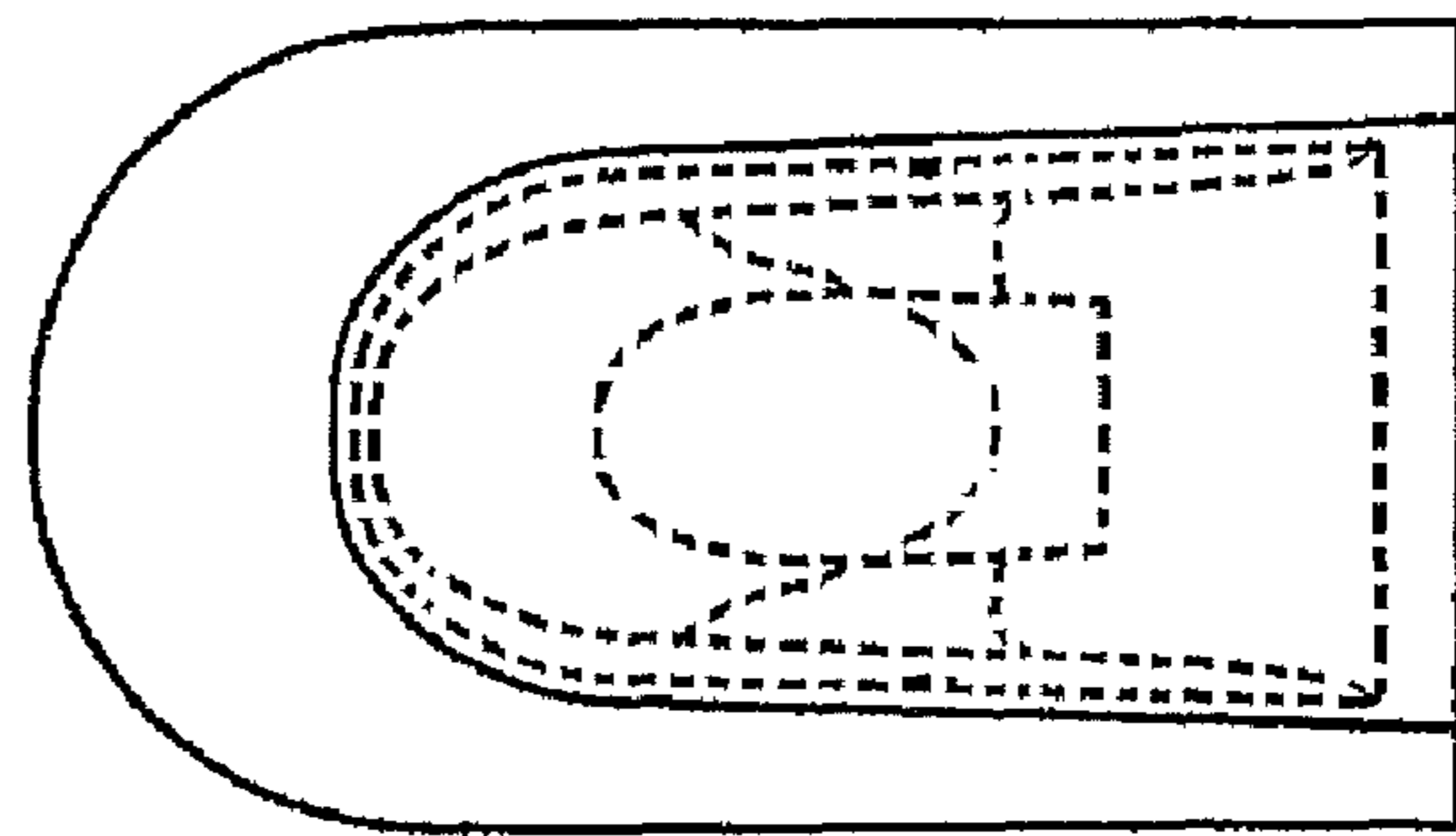


Fig. 7