



US00D606177S

(12) **United States Design Patent**  
**Urquiola**

(10) **Patent No.:** **US D606,177 S**

(45) **Date of Patent:** **\*\* Dec. 15, 2009**

(54) **WASH BASIN**

(75) Inventor: **Patricia Urquiola**, Milan (IT)

(73) Assignee: **Hansgrohe AG**, Schiltach (DE)

(\*\*) Term: **14 Years**

(21) Appl. No.: **29/333,636**

(22) Filed: **Mar. 12, 2009**

(30) **Foreign Application Priority Data**

Sep. 23, 2008 (EM) ..... 001007314-0004

(51) **LOC (9) Cl.** ..... **23-02**

(52) **U.S. Cl.** ..... **D23/293.1**

(58) **Field of Classification Search** ..... D23/284–287,  
D23/290–293.1, 308; 4/619, 637, 639–640,  
4/642; D7/543, 545

See application file for complete search history.

(56) **References Cited**

U.S. PATENT DOCUMENTS

D483,618 S \* 12/2003 Watson ..... D7/545

\* cited by examiner

*Primary Examiner*—Robert A Delehanty

(74) *Attorney, Agent, or Firm*—Nirav D. Parikh; Edgar A. Zarins

(57) **CLAIM**

The ornamental design for a wash basin, as shown and described.

**DESCRIPTION**

FIG. 1 is a perspective view of a wash basin showing my design;

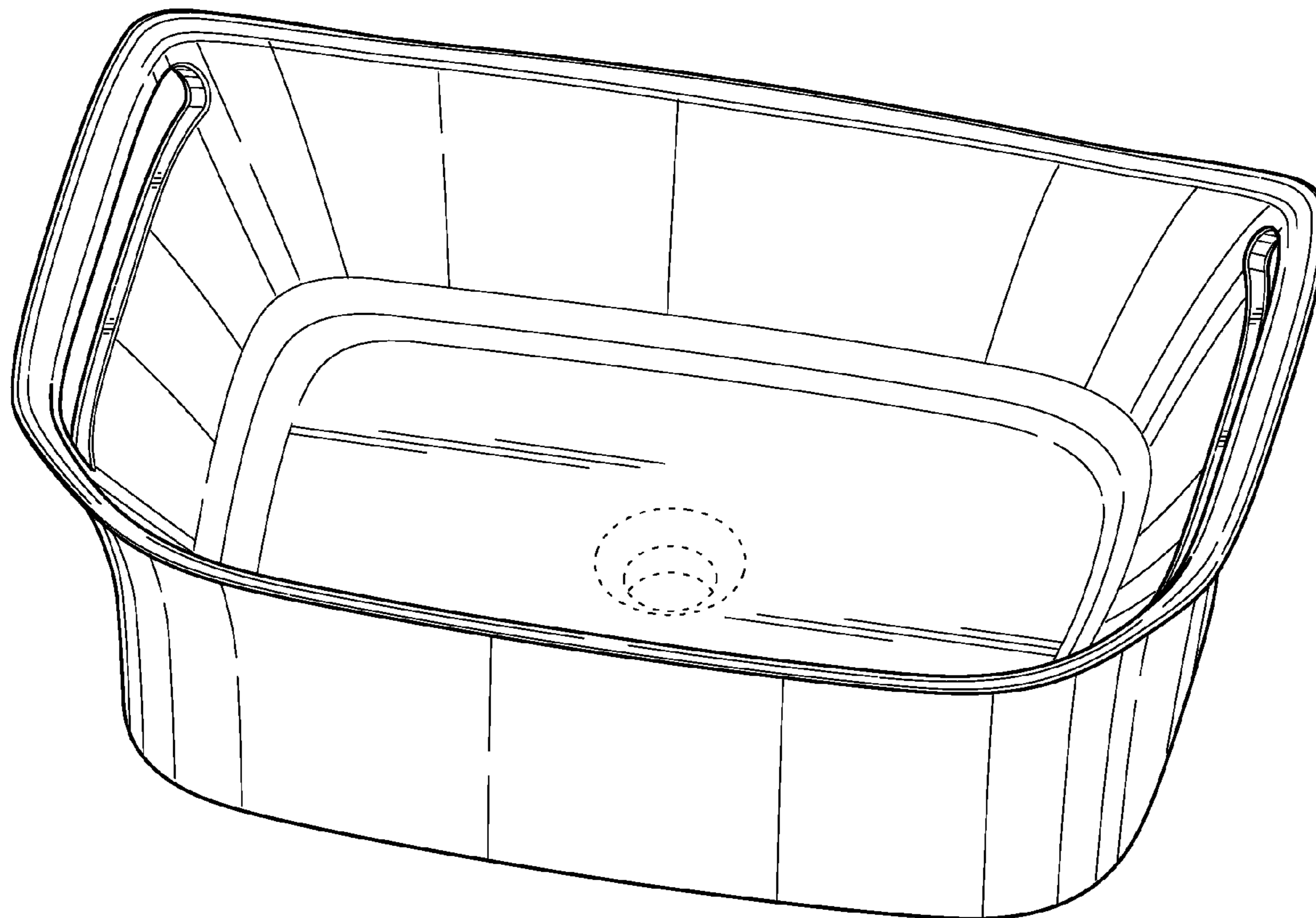
FIG. 2 is a left side elevational view thereof; the right side elevational view thereof being a mirror image thereof;

FIG. 3 is a front elevational view thereof; and,

FIG. 4 is a top plan view thereof.

The broken lines in the drawings represent unclaimed portions of the design and form no part thereof.

**1 Claim, 4 Drawing Sheets**



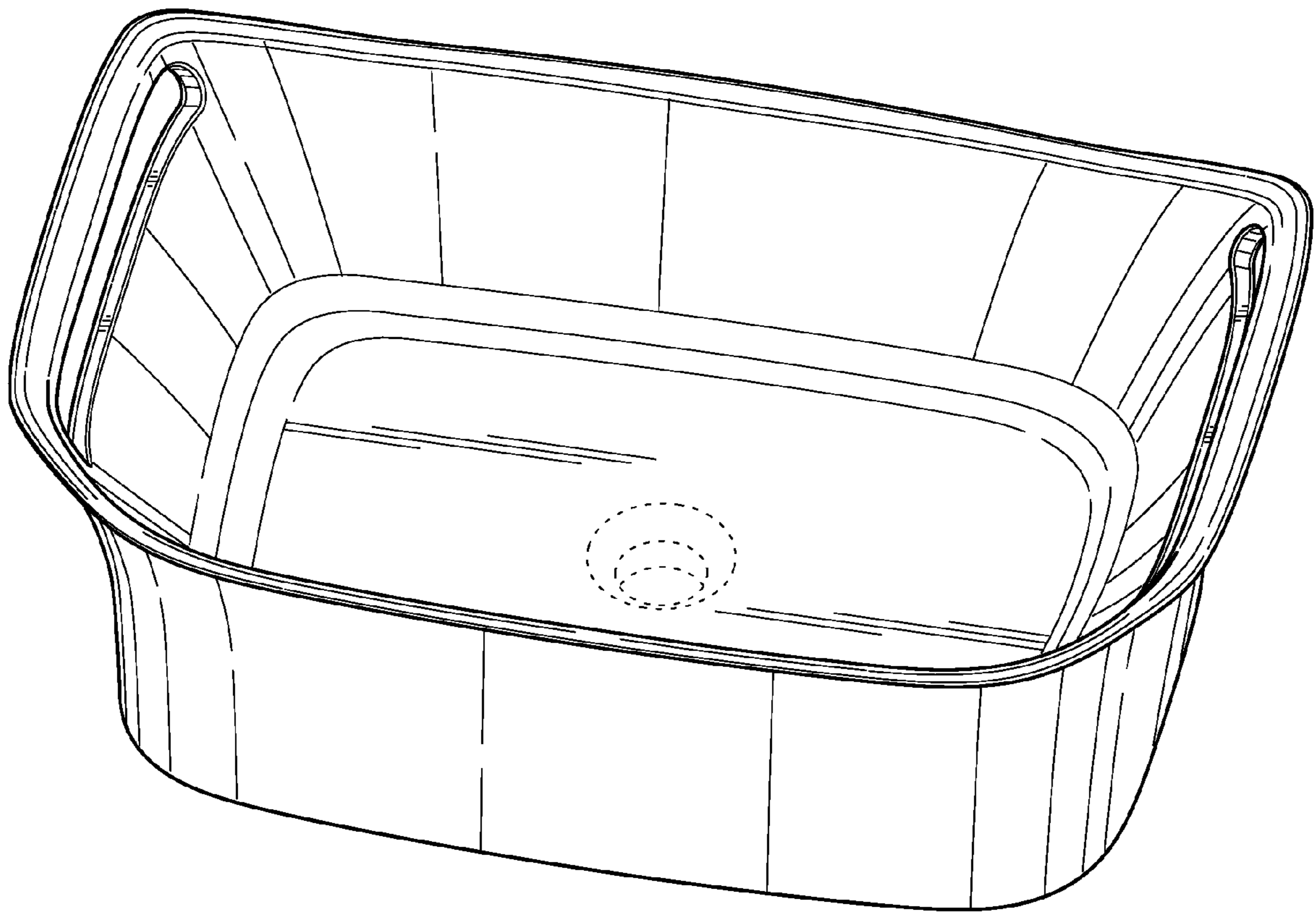


FIG. 1

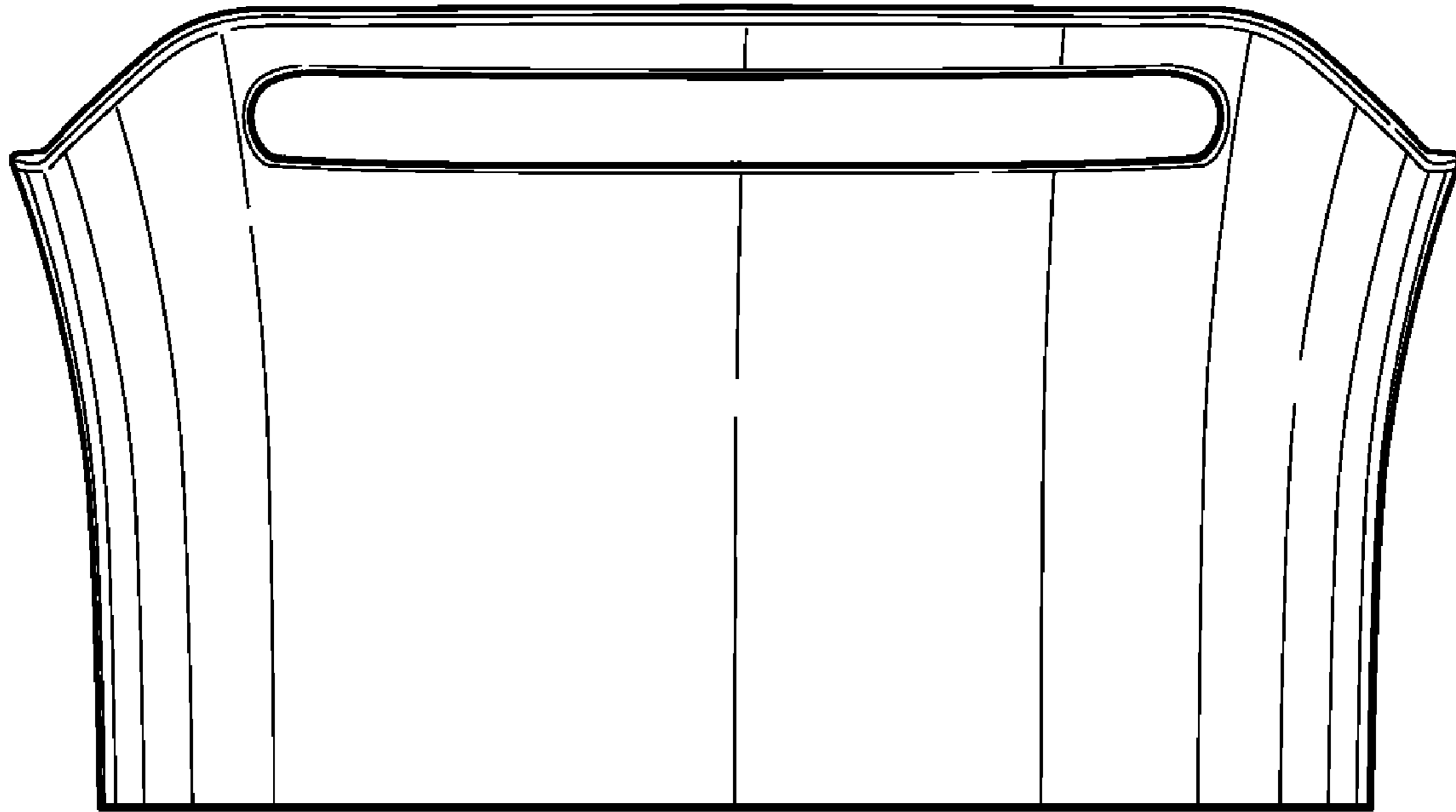


FIG. 2

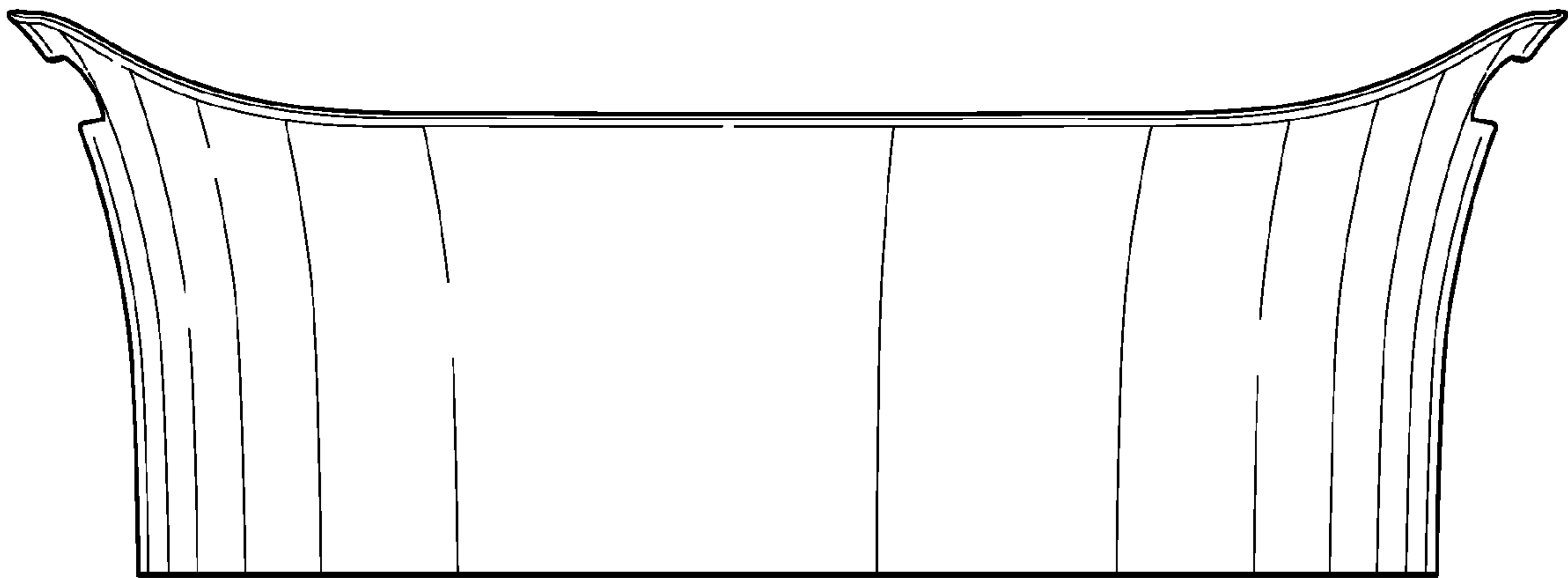


FIG. 3

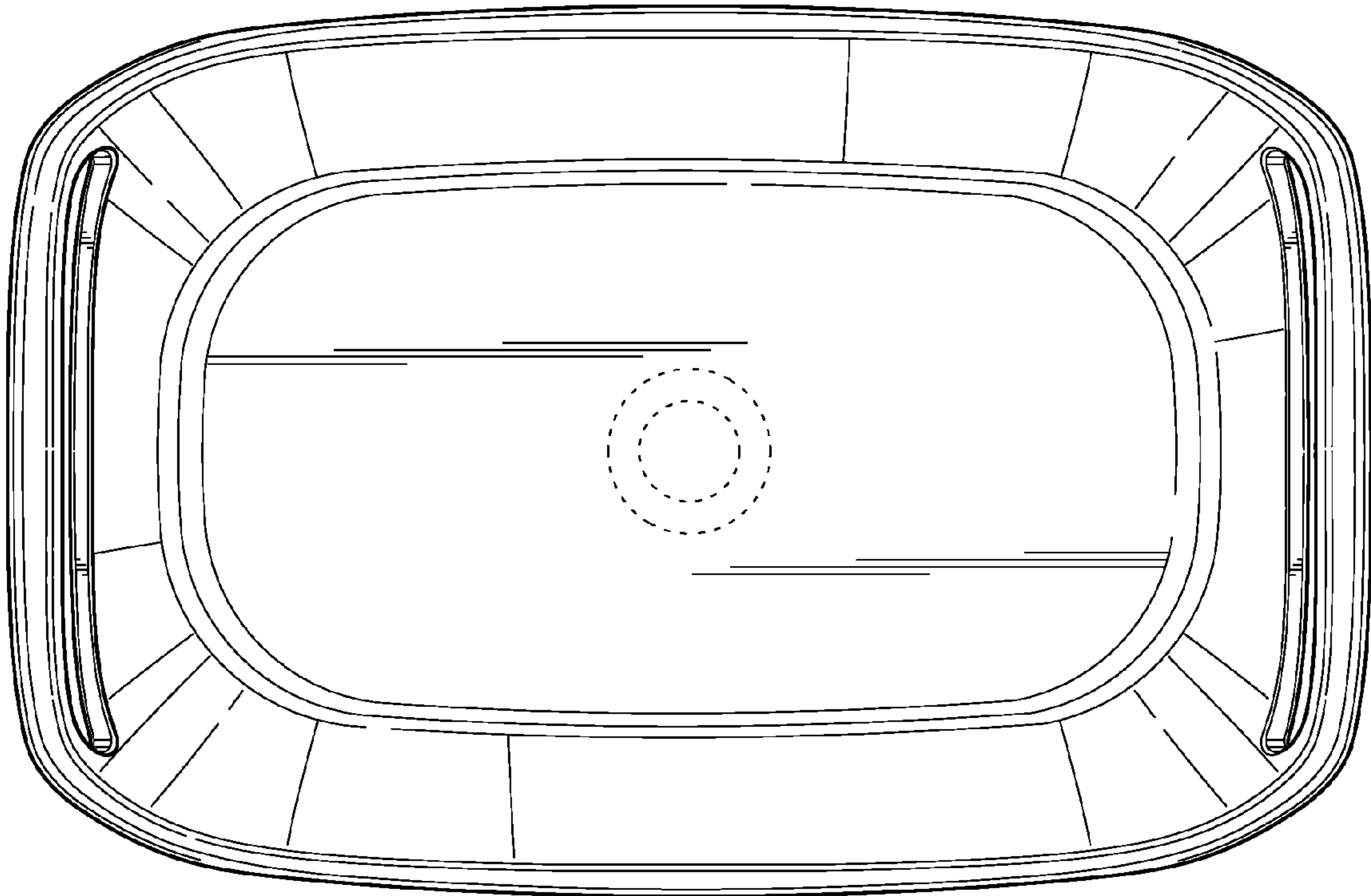


FIG. 4