

US00D606176S

(12) **United States Design Patent**
Urquiola

(10) **Patent No.:** **US D606,176 S**

(45) **Date of Patent:** **** Dec. 15, 2009**

(54) **WASH BASIN**

(75) Inventor: **Patricia Urquiola**, Milan (IT)

(73) Assignee: **Hansgrohe AG**, Schiltach (DE)

(**) Term: **14 Years**

(21) Appl. No.: **29/333,612**

(22) Filed: **Mar. 12, 2009**

(51) **LOC (9) Cl.** **23-02**

(52) **U.S. Cl.** **D23/293.1**

(58) **Field of Classification Search** D23/284–287,
D23/290–293.1, 308; 4/619, 637, 639–640,
4/642; D7/543, 545

See application file for complete search history.

(56) **References Cited**

U.S. PATENT DOCUMENTS

- D475,579 S * 6/2003 Jørgensen D7/545
- D545,947 S * 7/2007 Bruce D23/293.1
- D572,978 S * 7/2008 Bizzell D7/543

D590,663 S * 4/2009 Simon et al. D7/545

* cited by examiner

Primary Examiner—Robert A Delehanty

(74) *Attorney, Agent, or Firm*—Nirav D. Barikh; Edgar A. Zarins

(57) **CLAIM**

The ornamental design for a wash basin, as shown and described.

DESCRIPTION

FIG. 1 is a perspective view of a wash basin showing my design;

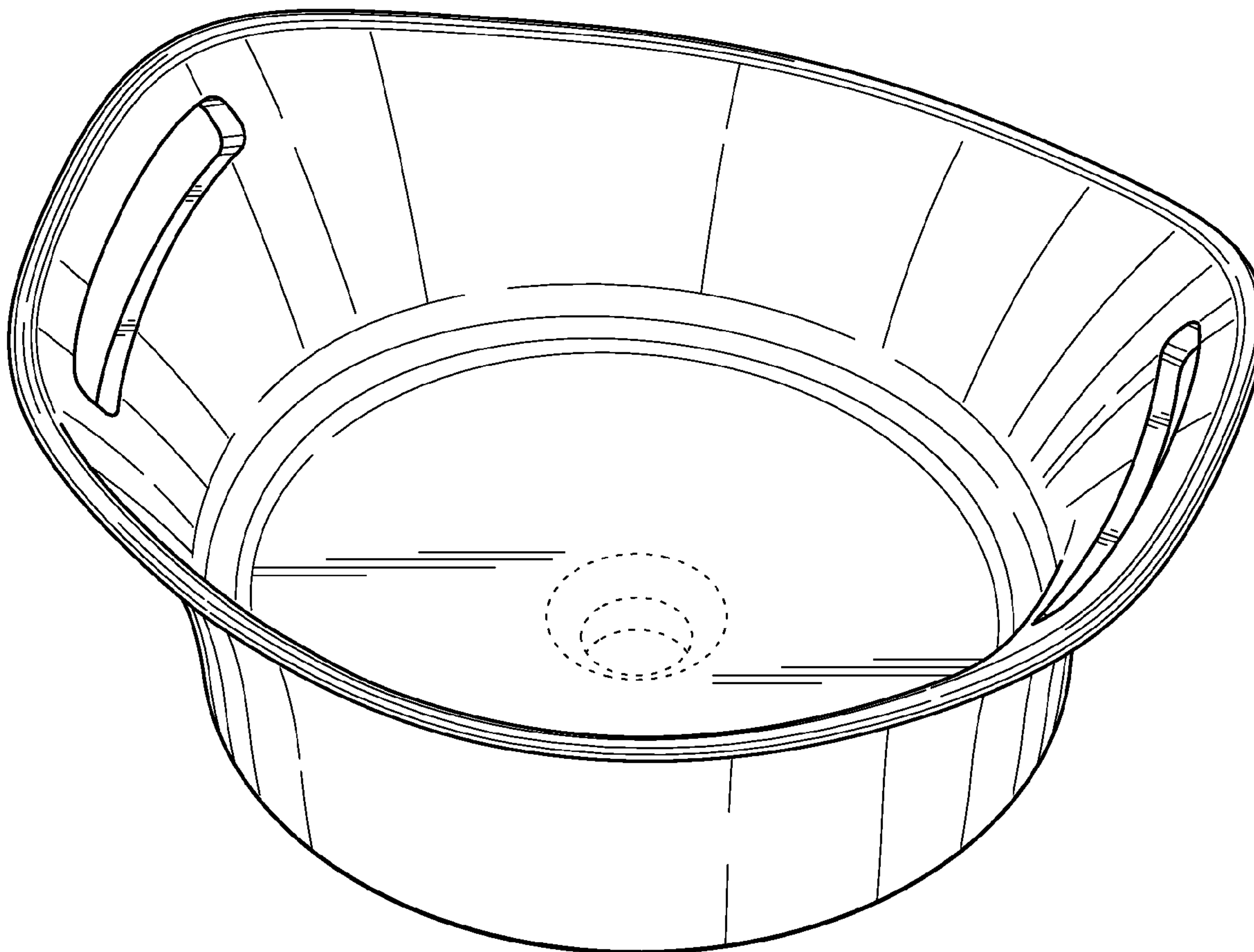
FIG. 2 is a left side elevational view thereof; the right side elevational view being a mirror image thereof;

FIG. 3 is a front elevational view thereof; and,

FIG. 4 is a top plan view thereof.

The broken lines in the drawings represent unclaimed portions of the design and form no part thereof.

1 Claim, 4 Drawing Sheets



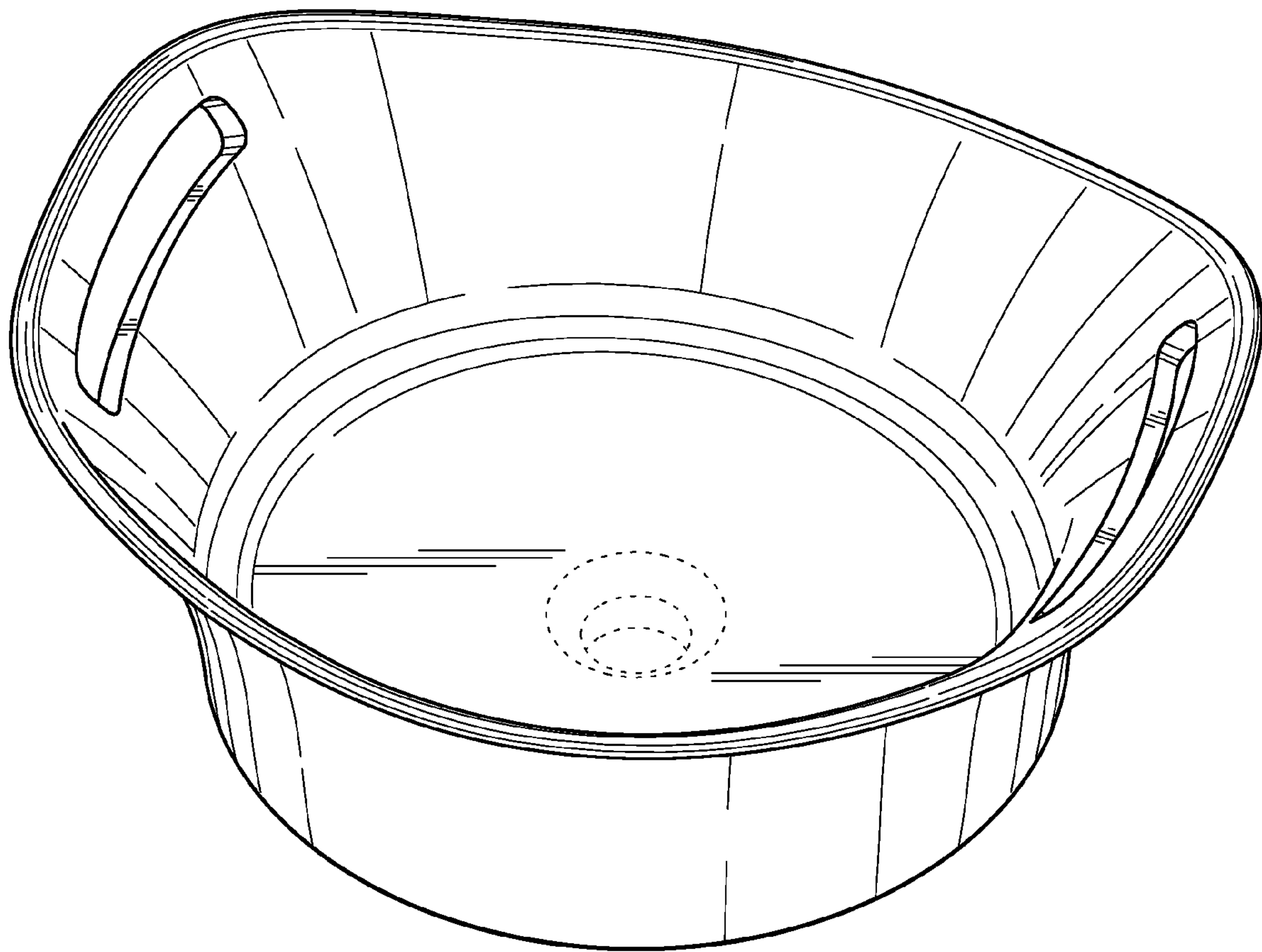


FIG. 1

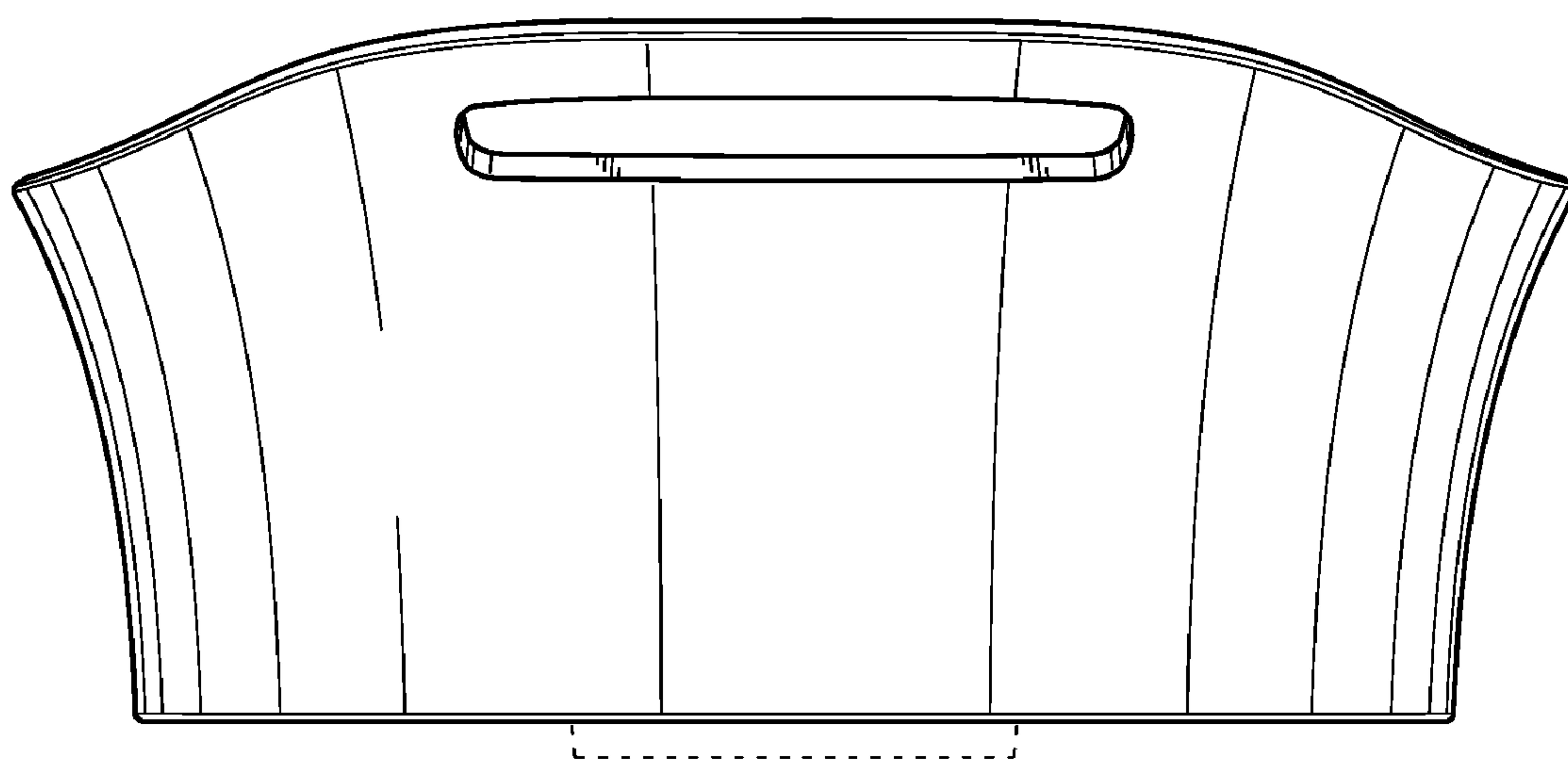


FIG. 2

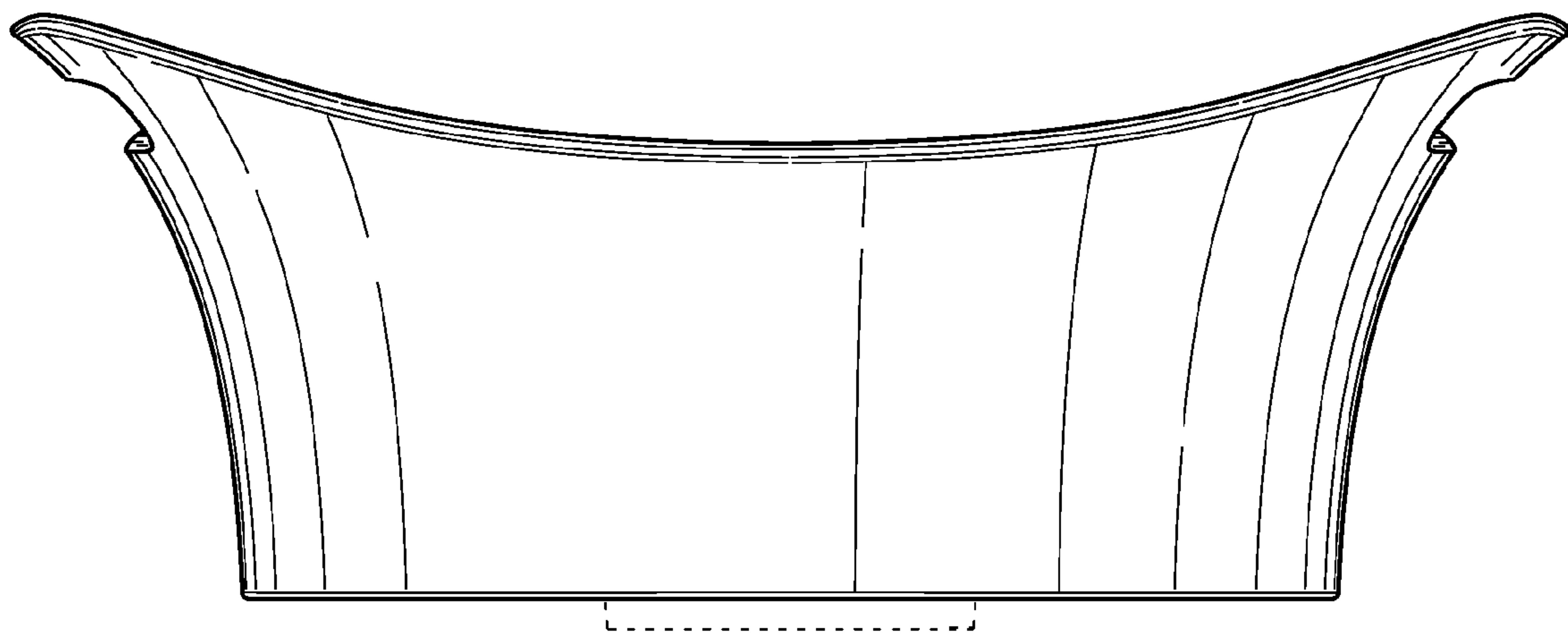


FIG. 3

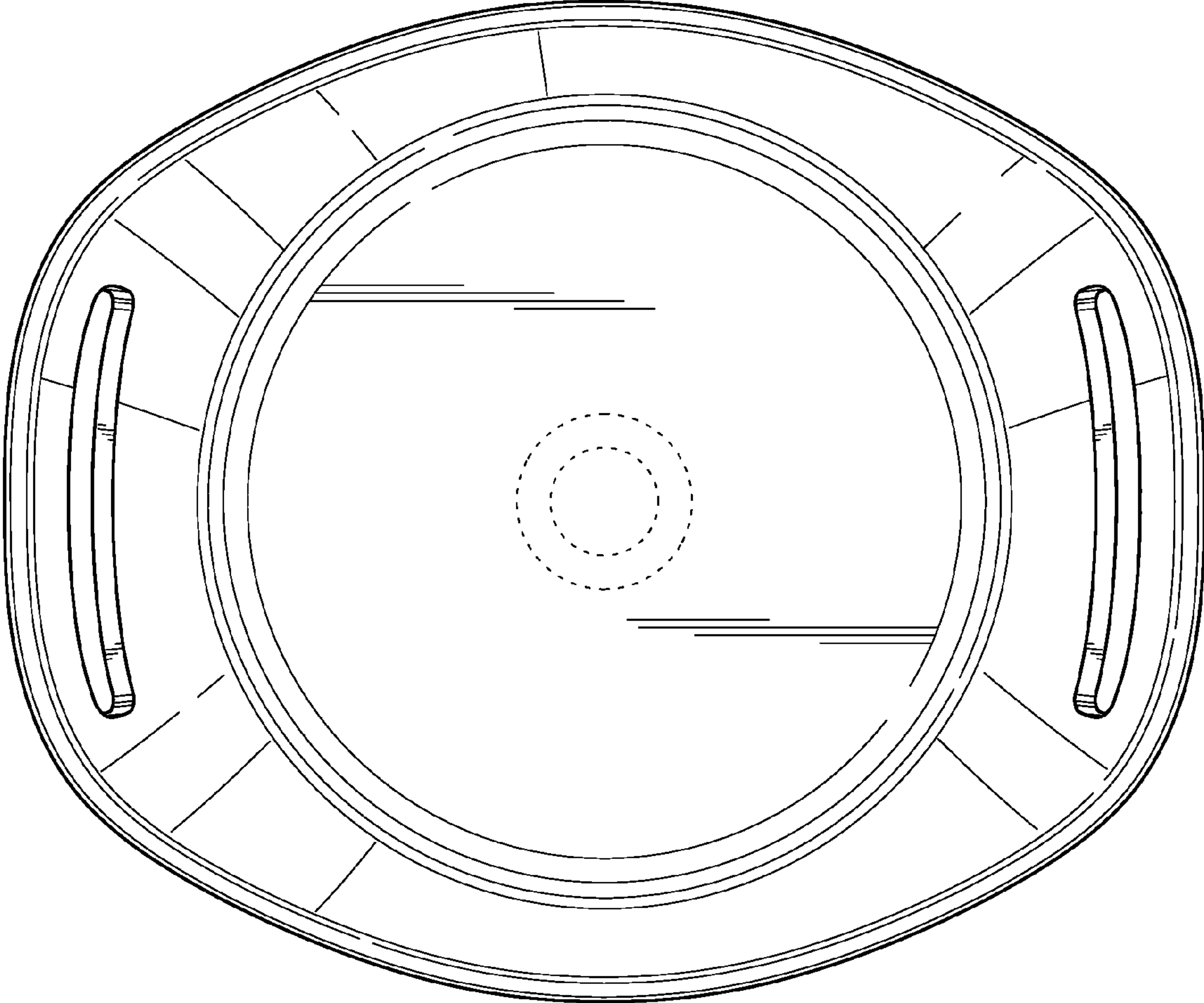


FIG. 4