



US00D606175S

(12) **United States Design Patent**
Bock et al.

(10) **Patent No.:** **US D606,175 S**
(45) **Date of Patent:** **** Dec. 15, 2009**

(54) **COUNTERTOP FOR A COMMERCIAL AIRCRAFT PASSENGER CABIN LAVATORY**

D511,205 S * 11/2005 Loberger et al. D23/308

(75) Inventors: **Thomas-Mathias Bock**, Grenade sur Garonne (FR); **Torsten Jaunich**, Fulda (DE); **Tobias Schmidt-Schaeffer**, Munich (DE)

(73) Assignee: **Airbus SAS**, Blagnac Cedex (FR)

(**) Term: **14 Years**

(21) Appl. No.: **29/336,631**

(22) Filed: **May 6, 2009**

Related U.S. Application Data

(62) Division of application No. 29/281,132, filed on Jun. 15, 2007, now Pat. No. Des. 593,651.

(51) **LOC (9) Cl.** **23-02**

(52) **U.S. Cl.** **D23/287; D23/308**

(58) **Field of Classification Search** D23/270-274, D23/286, 299, 275, 279, 303, 308-309; D25/138, D25/16; D6/397-398, 429-430, 433, 437, D6/439, 443-444, 446, 509-510; D12/345, D12/319; 4/662-665, 420, 449, 460, 483, 4/619, 661, 670, 210, DIG. 15; 114/189; 244/118.5; 49/40

See application file for complete search history.

(56) **References Cited**

U.S. PATENT DOCUMENTS

- 371,084 A * 10/1887 Mann 4/631
- D251,065 S * 2/1979 Campbell D23/274
- D287,748 S * 1/1987 Landan et al. D23/286
- 4,884,767 A * 12/1989 Shibata 244/118.5
- D486,565 S * 2/2004 Itakura D23/274

OTHER PUBLICATIONS

- U.S. Appl. No. 29/281,128. Title: Commercial Aircraft Passenger Cabin Lavatory And Elements Thereof, filed Jun. 15, 2007.
- U.S. Appl. No. 29/281,134. Title: Toilet For A Commercial Aircraft Passenger Cabin Lavatory, filed Jun. 15, 2007.
- U.S. Appl. No. 29/281,130. Title: Cabinet For A Commercial Aircraft Passenger Cabin Lavatory, filed Jun. 15, 2007.
- U.S. Appl. No. 29/281,133. Title: Mirror For A Commercial Aircraft Passenger Cabin Lavatory, filed Jun. 15, 2007.
- U.S. Appl. No. 29/281,120. Title: Commercial Aircraft Passenger Cabin Lavatory And Elements Thereof, filed Jun. 15, 2007.
- U.S. Appl. No. 29/281,122. Title: Commercial Aircraft Passenger Cabin Lavatory And Elements Thereof, filed Jun. 15, 2007.
- U.S. Appl. No. 29/281,129. Title: Commercial Aircraft Passenger Cabin Lavatory And Elements Thereof, filed Jun. 15, 2007.
- U.S. Appl. No. 29/281,125. Title: Commercial Aircraft Passenger Cabin Lavatory And Elements Thereof, filed Jun. 15, 2007.

* cited by examiner

Primary Examiner—Robert A Delehanty

(74) *Attorney, Agent, or Firm*—Osler, Hoskin & Harcourt LLP

(57) **CLAIM**

The ornamental design for a countertop for a commercial aircraft passenger cabin lavatory, as shown and described.

DESCRIPTION

FIG. 1 is a perspective view, taken from a front, left side, showing a countertop for a commercial aircraft passenger cabin lavatory according to our design;

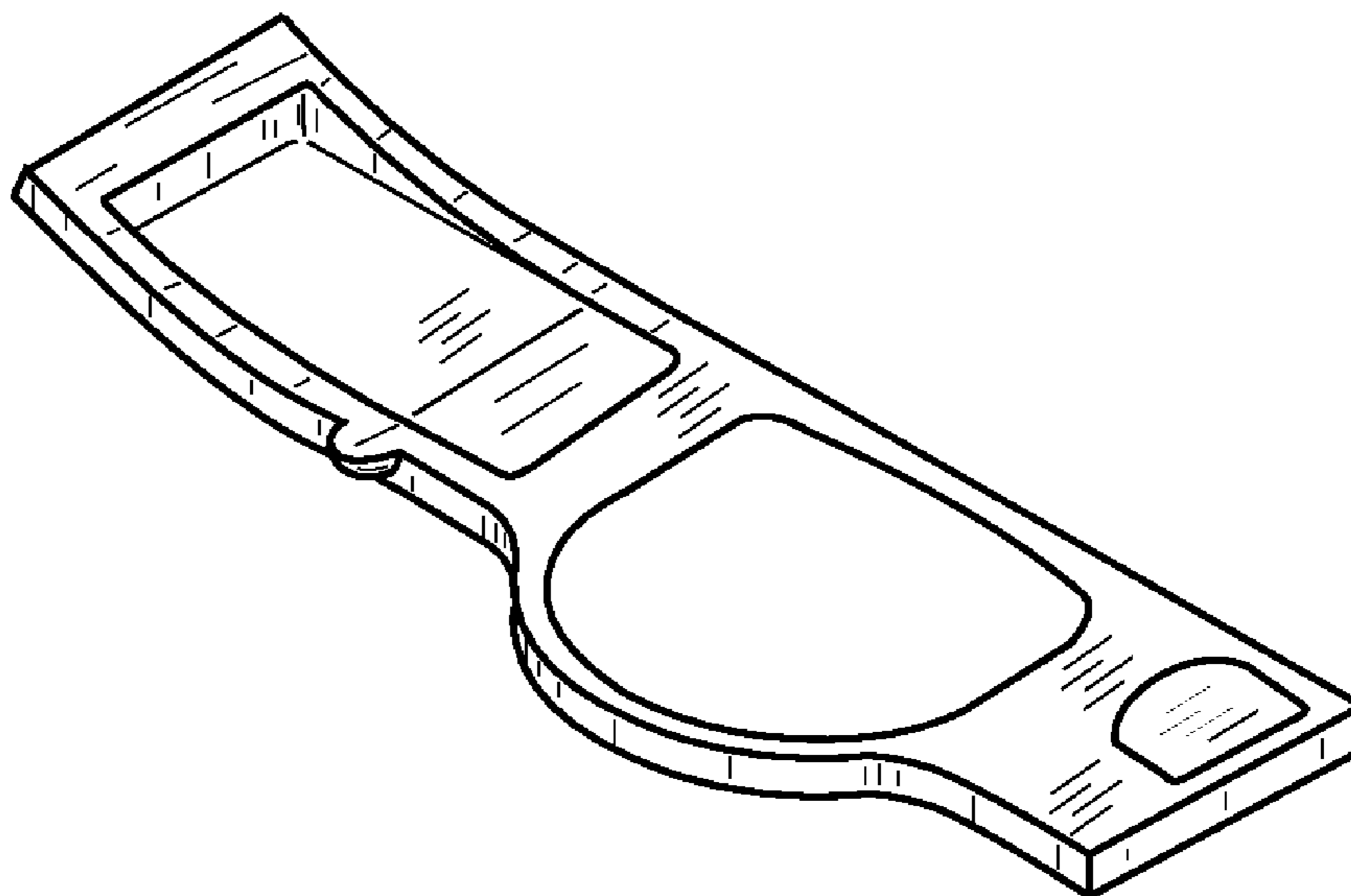
FIG. 2 is a top plan view thereof;

FIG. 3 is a left side elevation view thereof;

FIG. 4 is a right side elevation view thereof; and,

FIG. 5 is a front elevation view thereof.

1 Claim, 2 Drawing Sheets



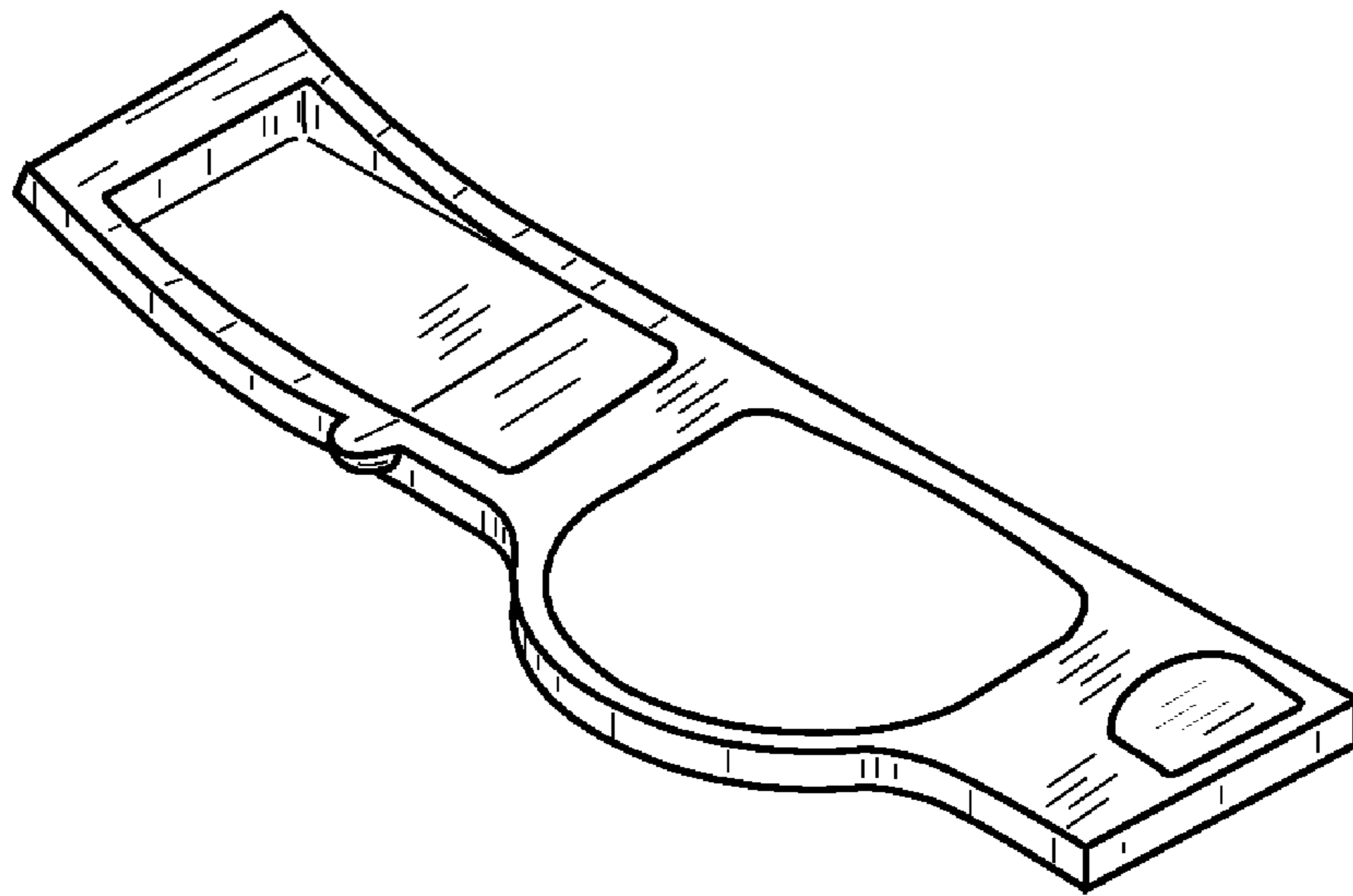


FIG. 1

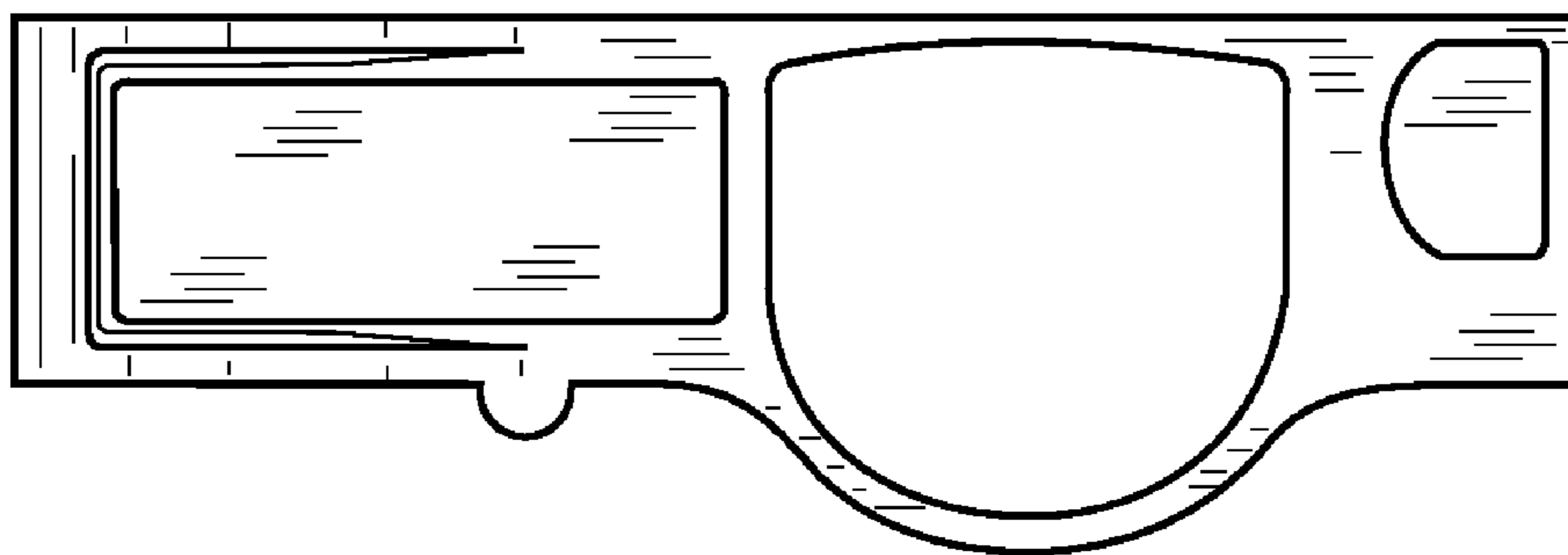


FIG. 2

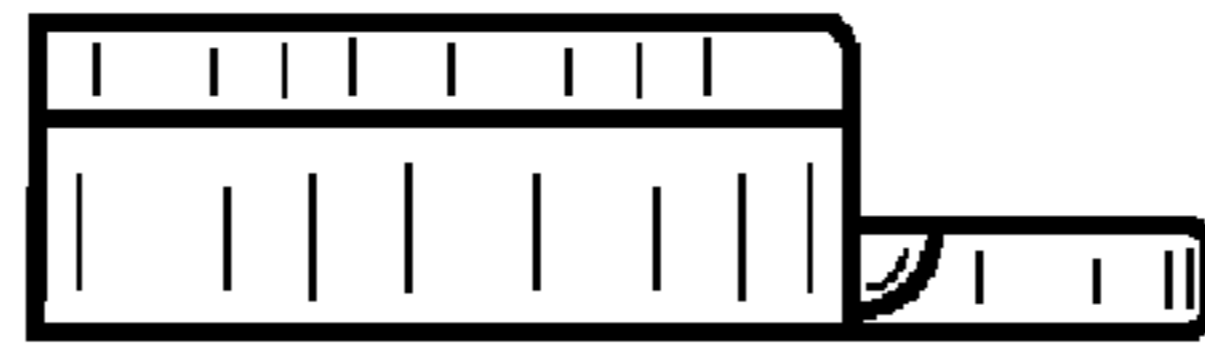


FIG. 3



FIG. 4



FIG. 5

UNITED STATES PATENT AND TRADEMARK OFFICE
CERTIFICATE OF CORRECTION

PATENT NO. : D606,175 S
APPLICATION NO. : 29/336631
DATED : December 15, 2009
INVENTOR(S) : Thomas-Mathias Bock et al.

Page 1 of 1

It is certified that error appears in the above-identified patent and that said Letters Patent is hereby corrected as shown below:

Title Page, Item "Description"

In the description of Figure 3, "left" should be changed to -- right --

In the description of Figure 4, "right" should be changed to -- left --

Signed and Sealed this
Fourth Day of January, 2011

A handwritten signature in black ink that reads "David J. Kappos". The signature is written in a cursive, slightly slanted style.

David J. Kappos
Director of the United States Patent and Trademark Office