



US00D606173S

(12) **United States Design Patent**
Sieger

(10) **Patent No.:** **US D606,173 S**

(45) **Date of Patent:** **** Dec. 15, 2009**

(54) **POT-FILLER FAUCET**

D576,705 S * 9/2008 McKeone D23/238
D589,121 S * 3/2009 McKeone D23/238

(75) Inventor: **Michael Sieger**, Sassenberg (DE)

(73) Assignee: **Aloys F. Dornbracht GmbH & Co. KG**, Iserlohn (DE)

* cited by examiner

(**) Term: **14 Years**

Primary Examiner—Robert A Delehanty
(74) *Attorney, Agent, or Firm*—Andrew Wilford

(21) Appl. No.: **29/337,213**

(57) **CLAIM**

(22) Filed: **May 18, 2009**

The ornamental design for a pot-filler faucet, as shown and described.

Related U.S. Application Data

(62) Division of application No. 29/325,024, filed on Sep. 25, 2008.

DESCRIPTION

(30) **Foreign Application Priority Data**

Mar. 25, 2008 (EM) 000910229-0002
Mar. 25, 2008 (EM) 000910229-0003

FIG. 1 is a front left-side perspective view of a wall-mount pot-filler faucet according to the invention;

FIG. 2 is a front right-side perspective view of the pot-filler faucet;

(51) **LOC (9) Cl.** **23-01**

(52) **U.S. Cl.** **D23/255**

(58) **Field of Classification Search** D23/239–243,
D23/250–254, 255–257, 213, 223, 226; 4/675–678;
137/801; 16/110.1; D8/300, 307–312; D6/512,
D6/524, 546, 550

FIG. 3 is a front elevational view of the pot-filler faucet;

FIG. 4 is a left-side elevational view of the pot-filler faucet, the right side being mirror-symmetrically identical;

FIG. 5 is a top view of the pot-filler faucet;

See application file for complete search history.

FIG. 6 is a front left-side perspective view of the pot-filler faucet with the spout pivoted to the front; and,

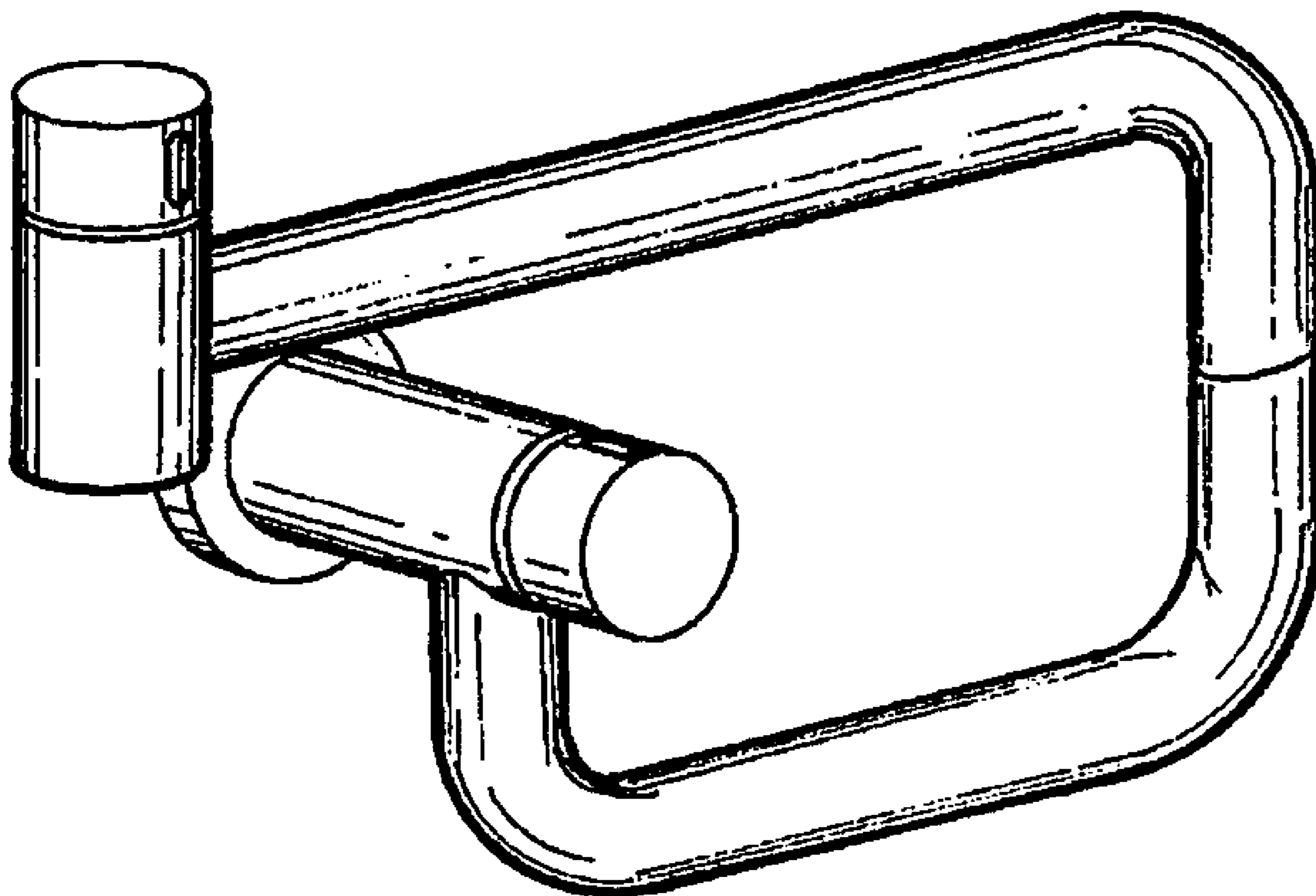
FIG. 7 is a front right-side perspective view of the pot-filler faucet as in FIG. 6.

(56) **References Cited**

U.S. PATENT DOCUMENTS

1,838,290 A * 12/1931 Steckel 137/799

1 Claim, 3 Drawing Sheets



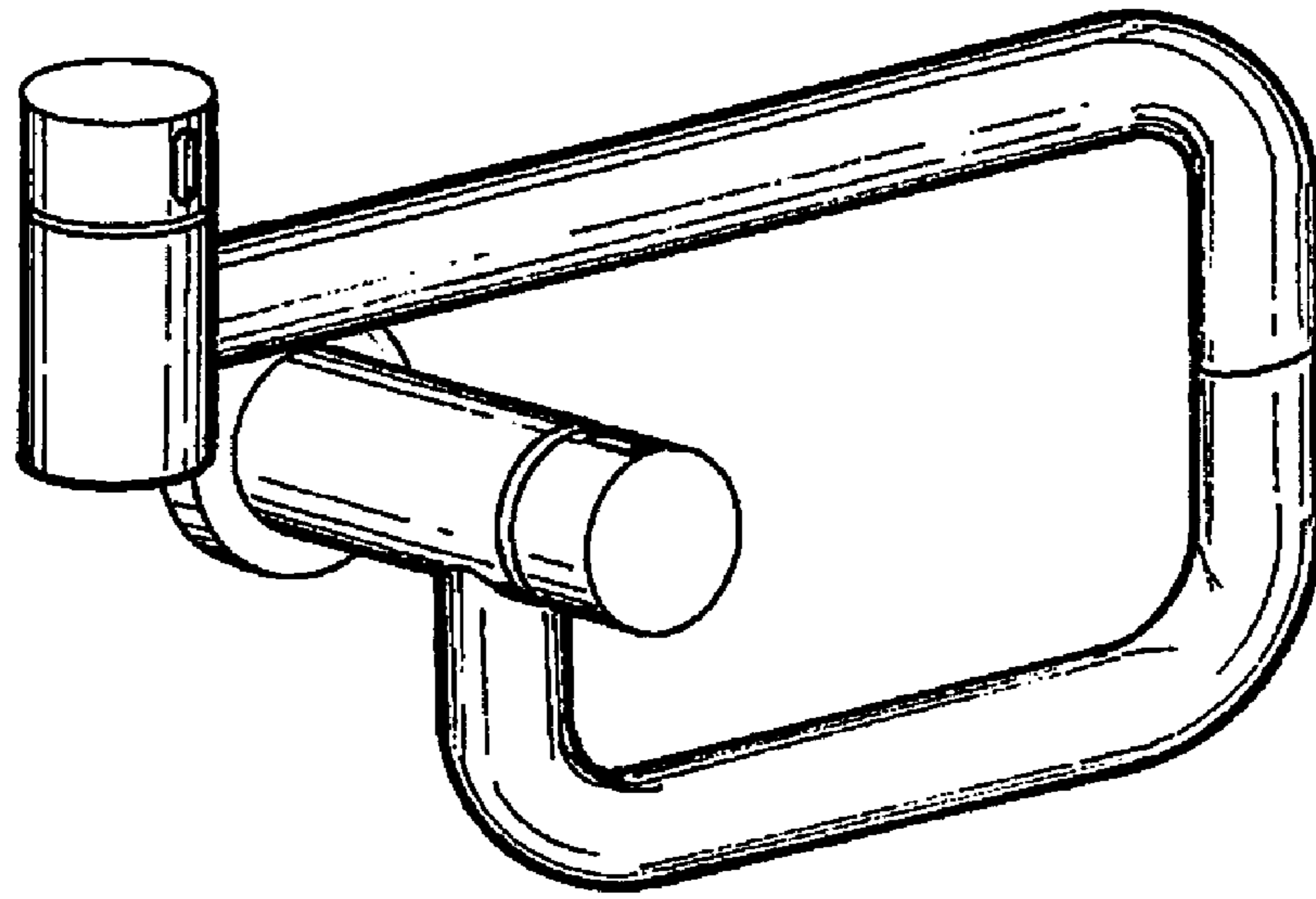


Fig. 1

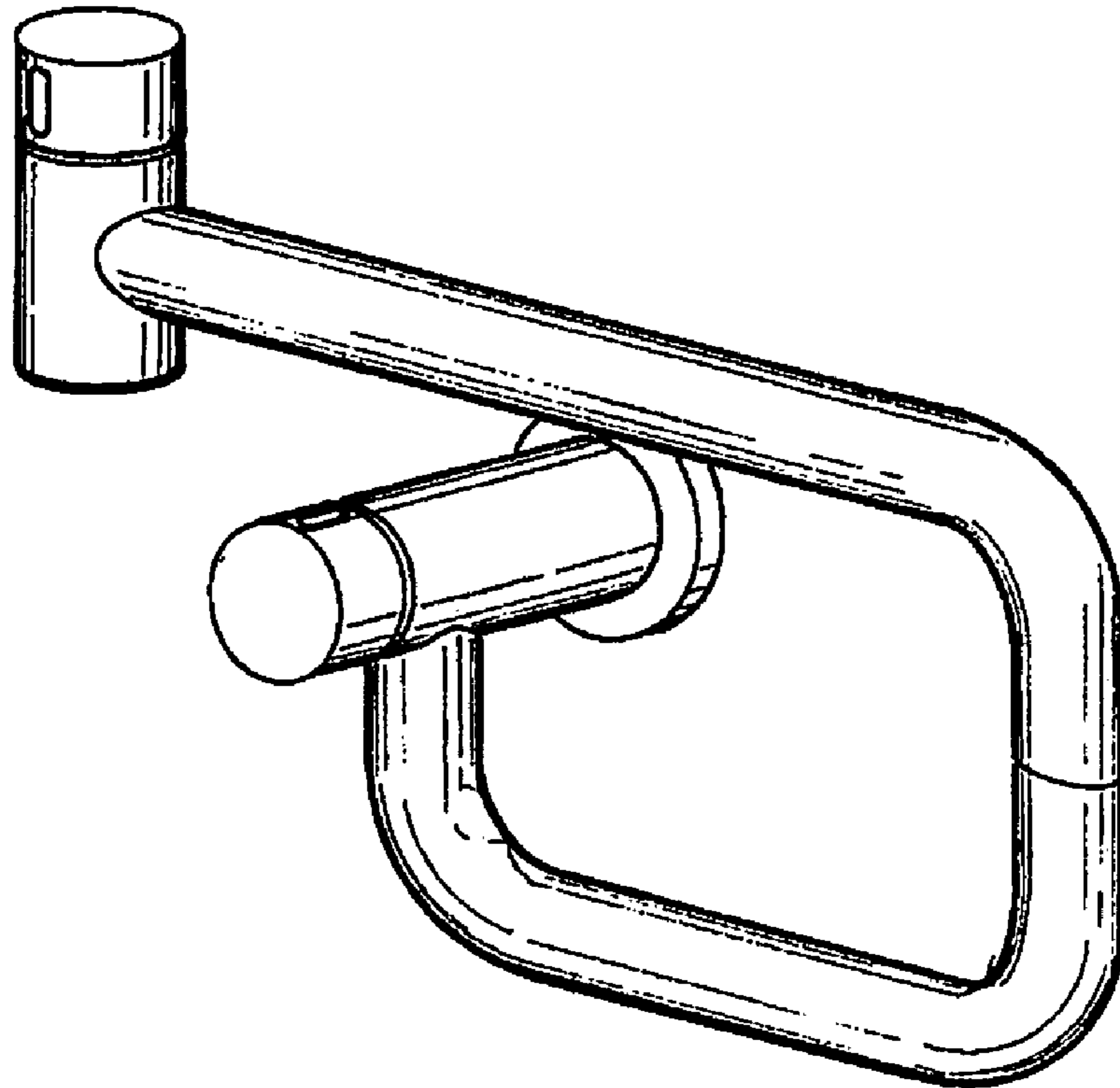


Fig. 2

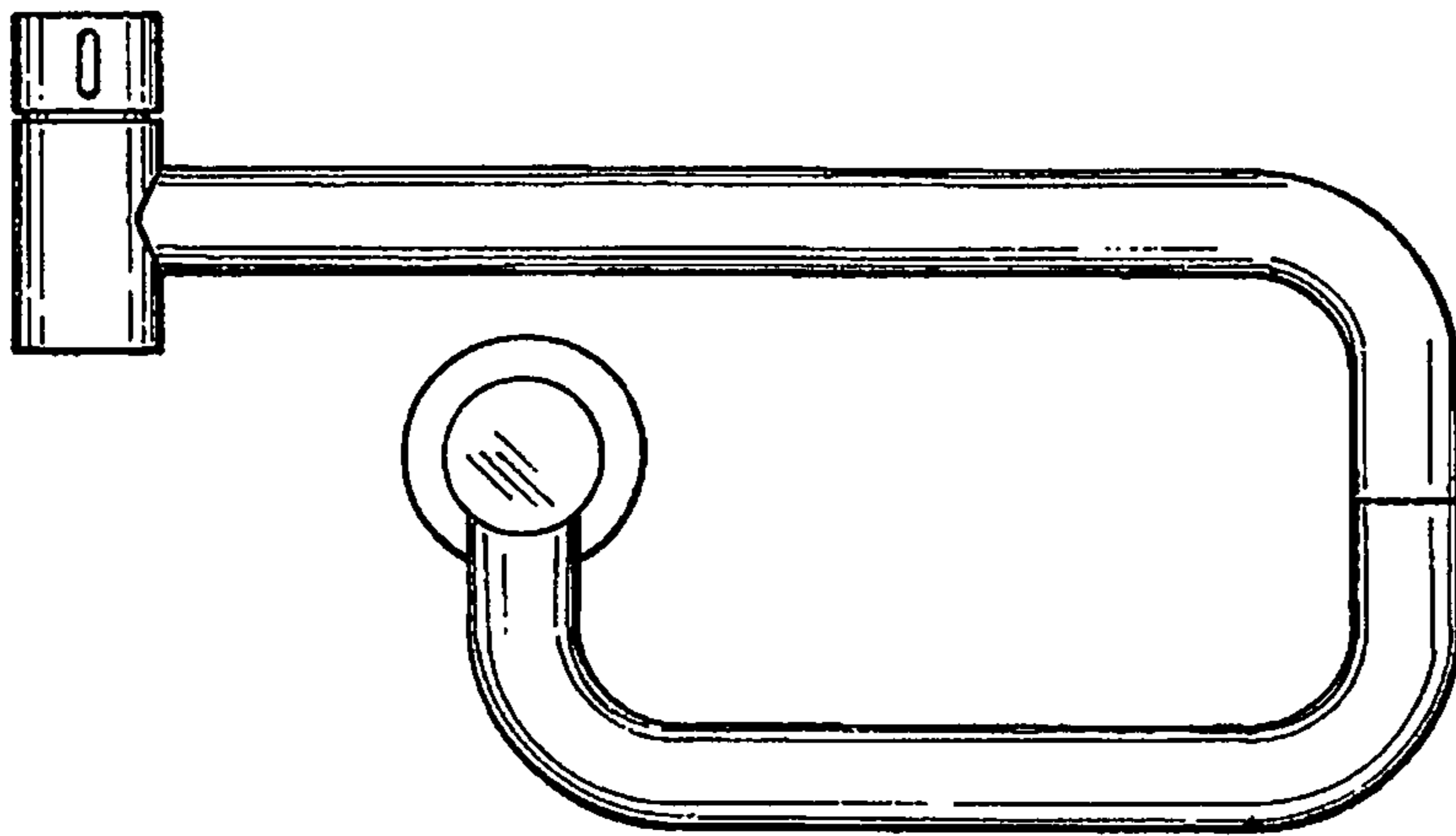


Fig. 3

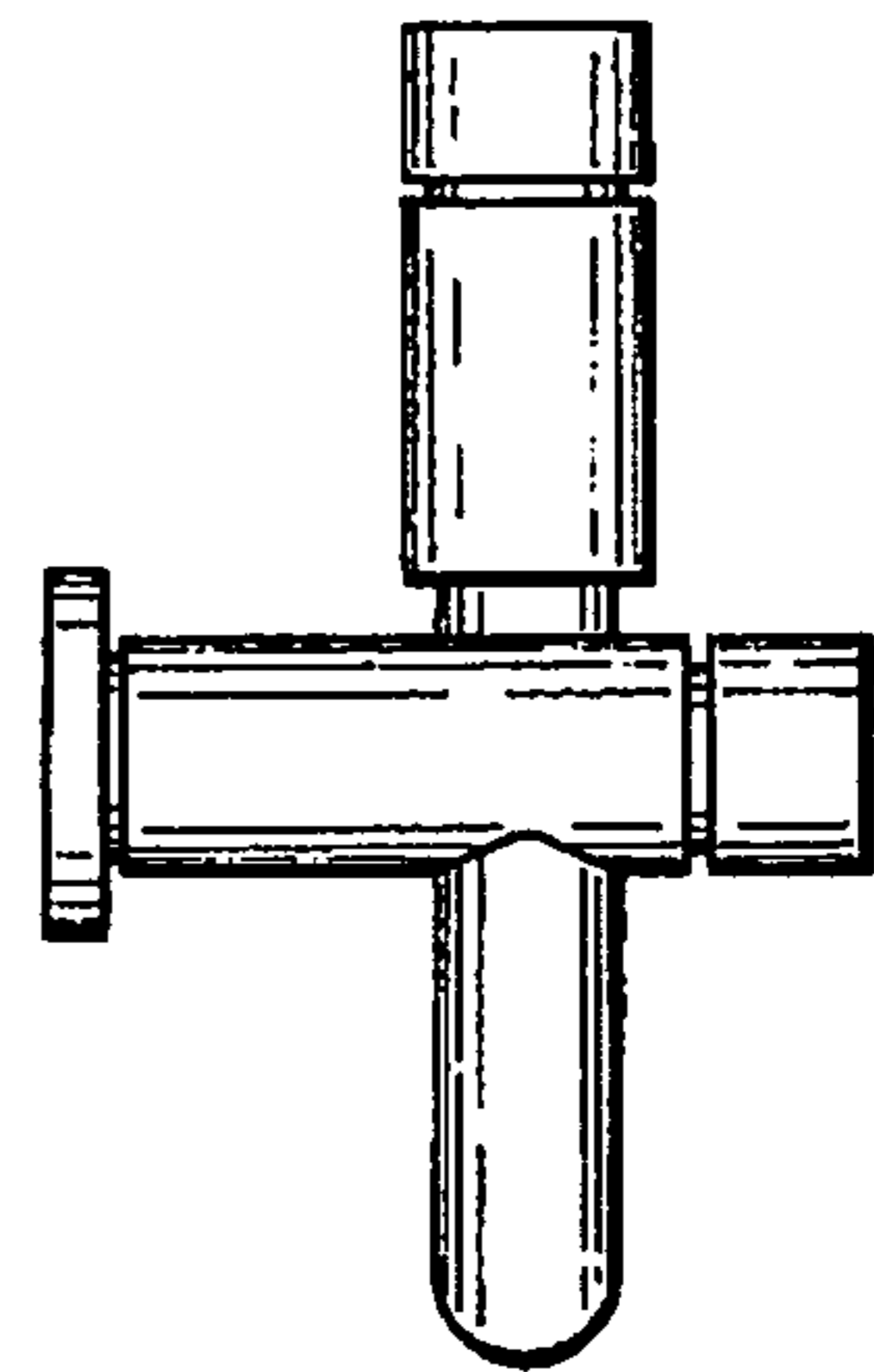


Fig. 4

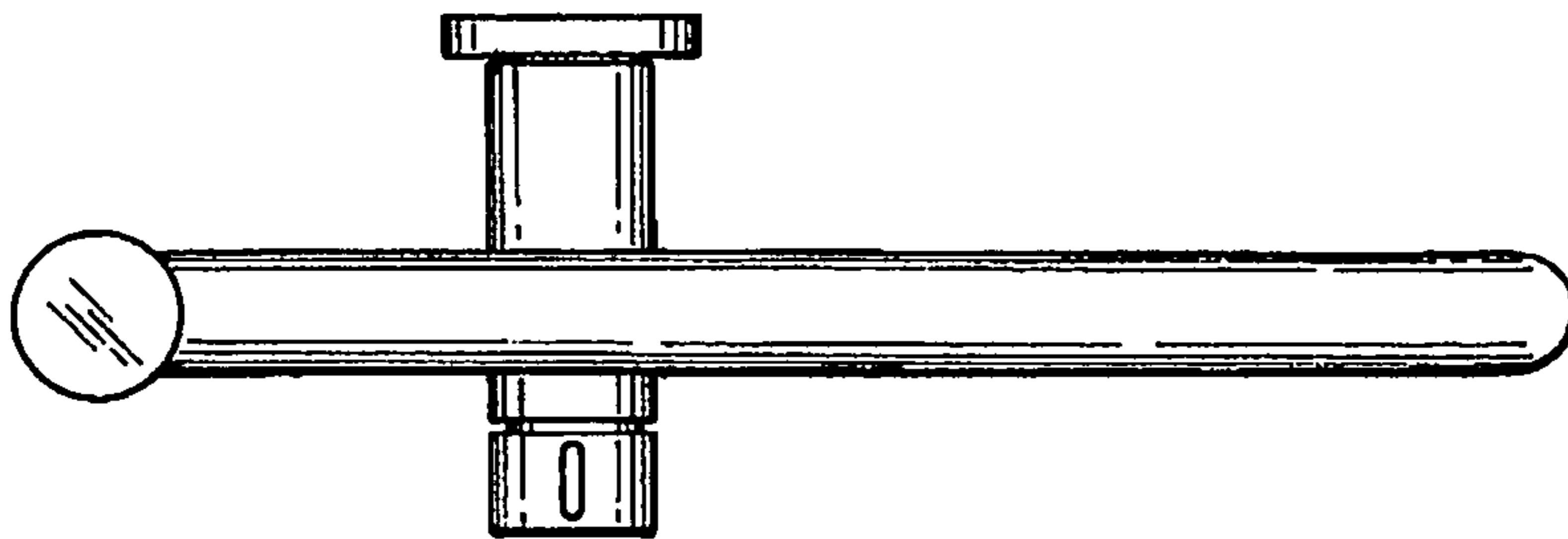


Fig. 5

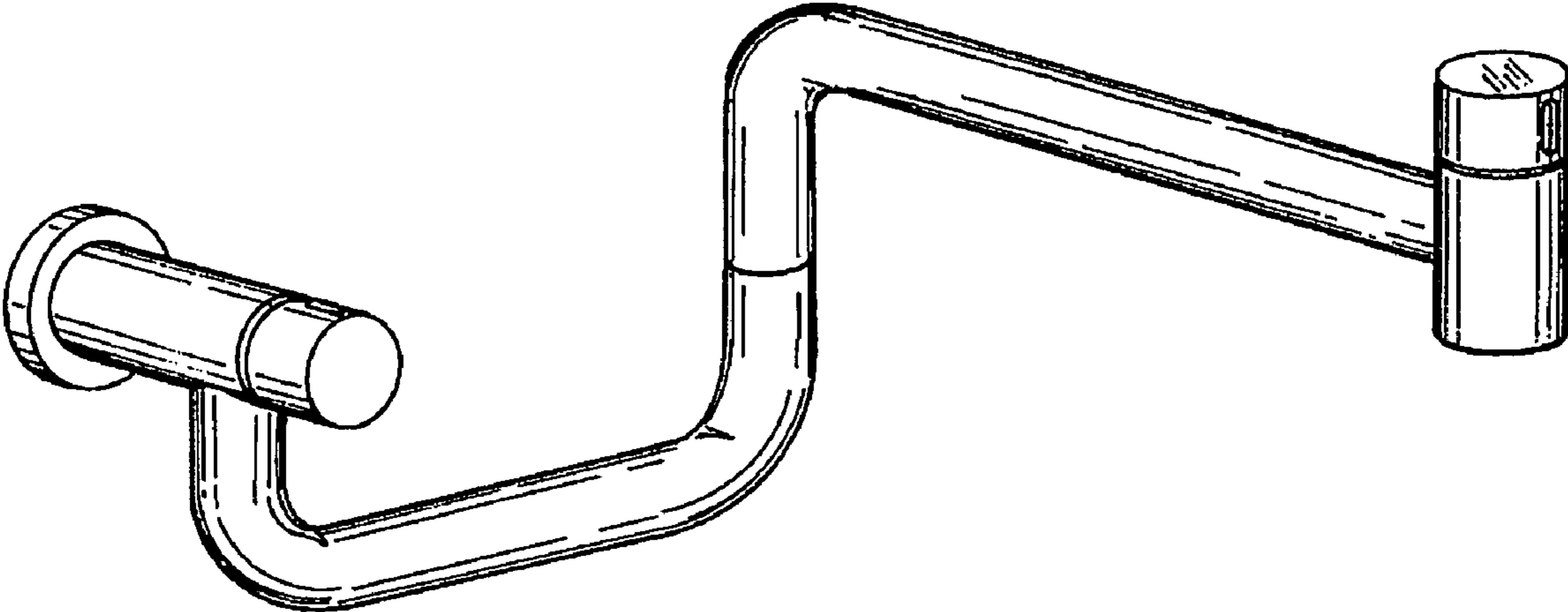


Fig. 6

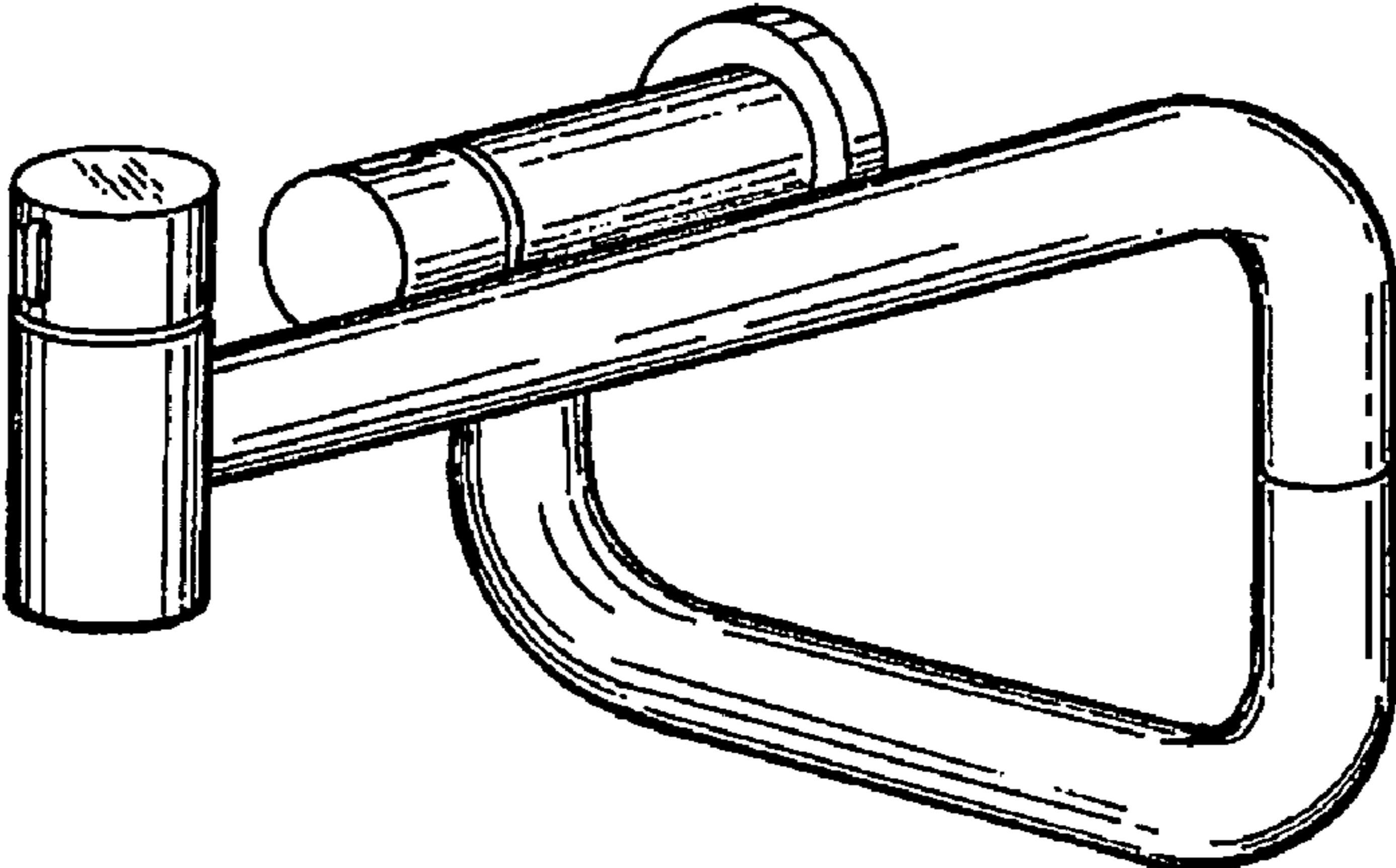


Fig. 7