



US00D606172S

(12) **United States Design Patent**
Pan

(10) **Patent No.:** **US D606,172 S**

(45) **Date of Patent:** **** Dec. 15, 2009**

(54) **FAUCET**

(75) Inventor: **Chia-Chen Pan**, Changhua Hsien (TW)

(73) Assignee: **Sheng Tai Brassware Co., Ltd.** (TW)

(**) Term: **14 Years**

(21) Appl. No.: **29/309,964**

(22) Filed: **Nov. 21, 2008**

(51) **LOC (9) Cl.** **02-01**

(52) **U.S. Cl.** **D23/255**

(58) **Field of Classification Search** D23/238,
D23/241–243, 255–257; 4/678; 137/801
See application file for complete search history.

(56) **References Cited**

U.S. PATENT DOCUMENTS

D528,640 S	*	9/2006	Yoshioka	D23/255
D541,906 S	*	5/2007	Qing	D23/238
D582,525 S	*	12/2008	Downey	D23/255

* cited by examiner

Primary Examiner—Robert A Delehanty

(74) *Attorney, Agent, or Firm*—HersHKovitz & Associates, LLC; Abraham HersHKovitz

(57) **CLAIM**

The ornamental design for a faucet, as shown and described.

DESCRIPTION

FIG. 1 is a perspective view of a faucet, showing my new design;

FIG. 2 is a front elevational view thereof;

FIG. 3 is a rear elevational view thereof;

FIG. 4 is a left side elevational view thereof;

FIG. 5 is a right side elevational view thereof;

FIG. 6 is a top plan view thereof;

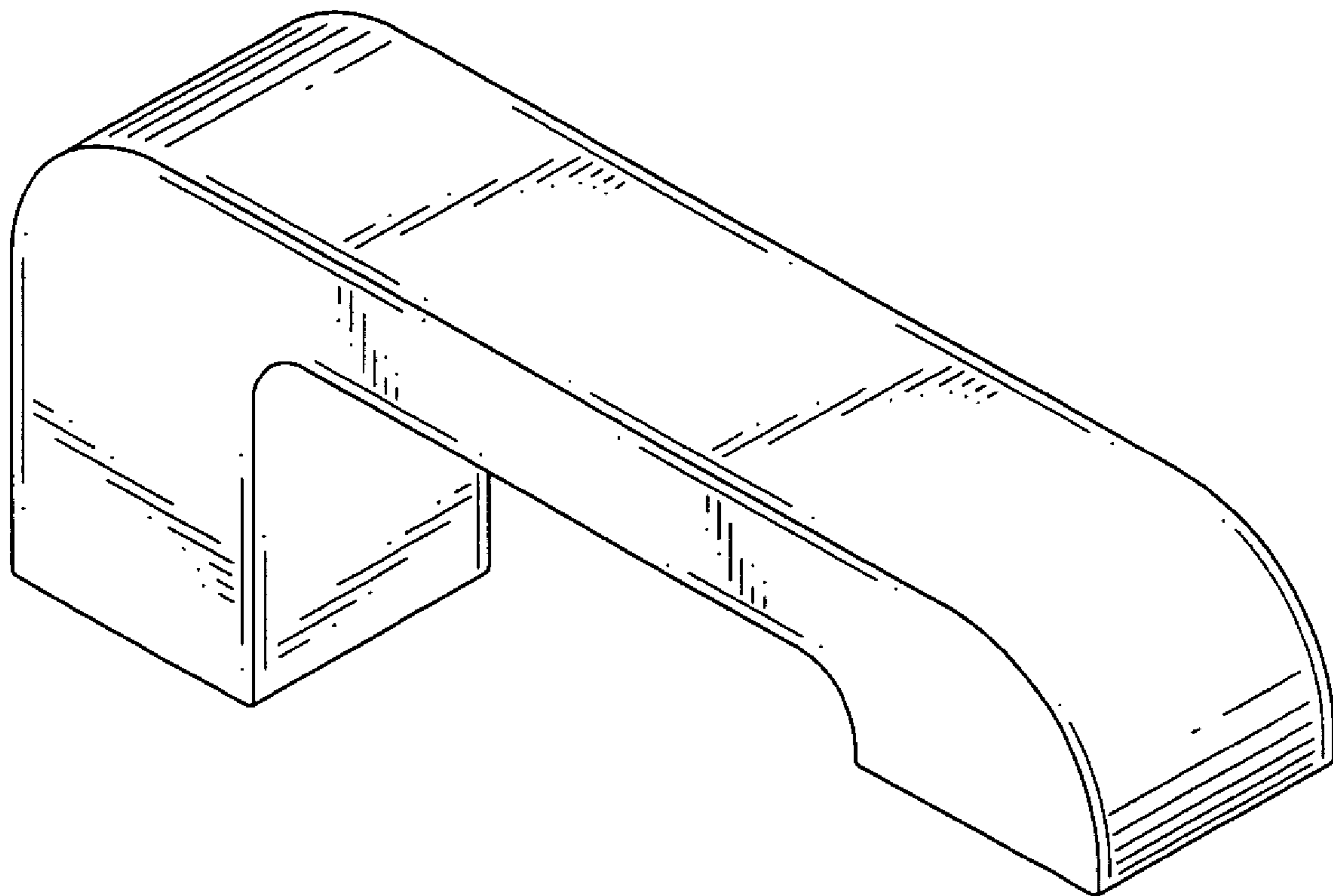
FIG. 7 is a bottom plan view thereof;

FIG. 8 is a perspective view showing an embodiment of the claimed design; and,

FIG. 9 is a perspective view showing another embodiment of the claimed design.

Wherein, the broken lines are shown for illustrative purposes only and form no part of the claimed design.

1 Claim, 6 Drawing Sheets



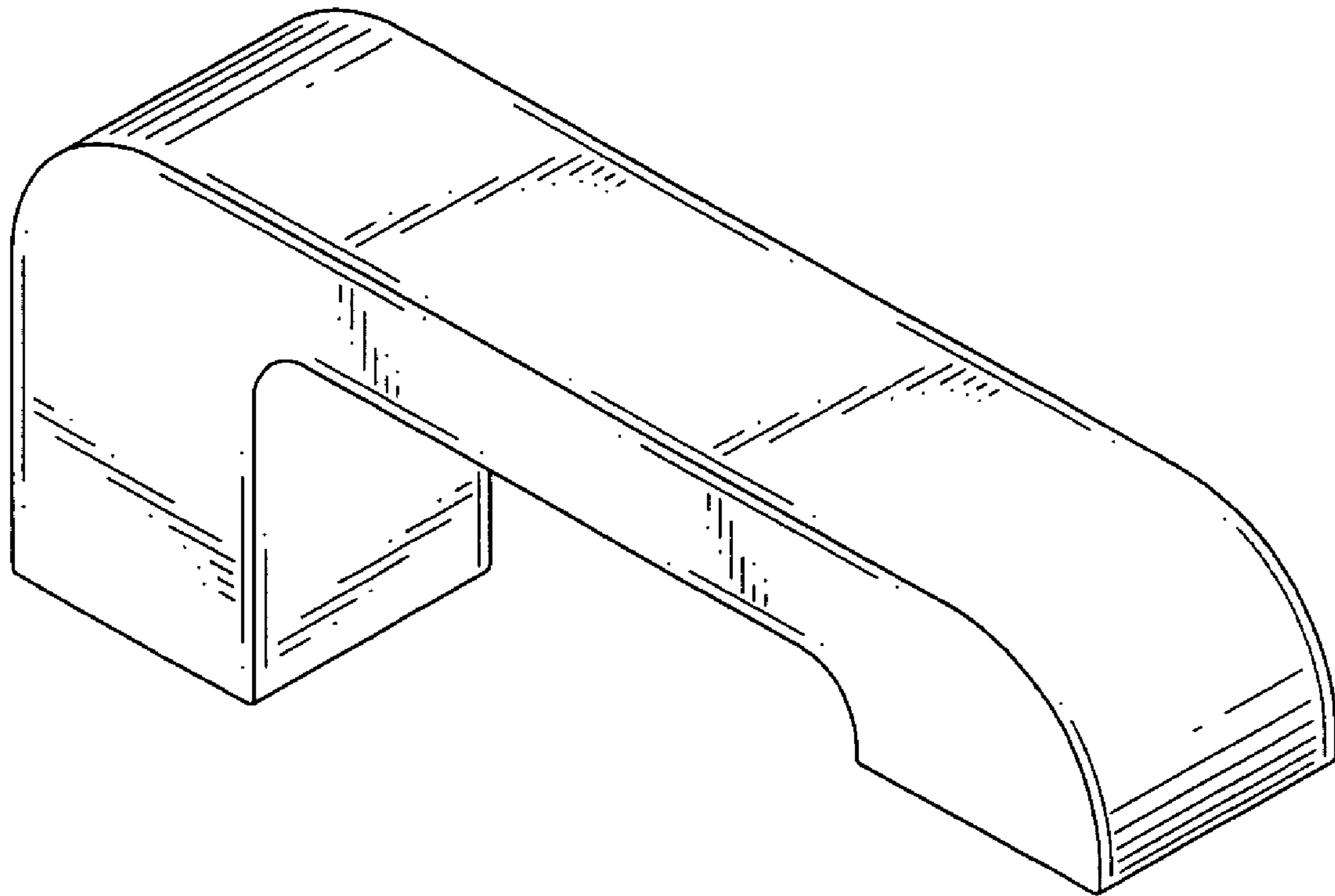


FIG. 1

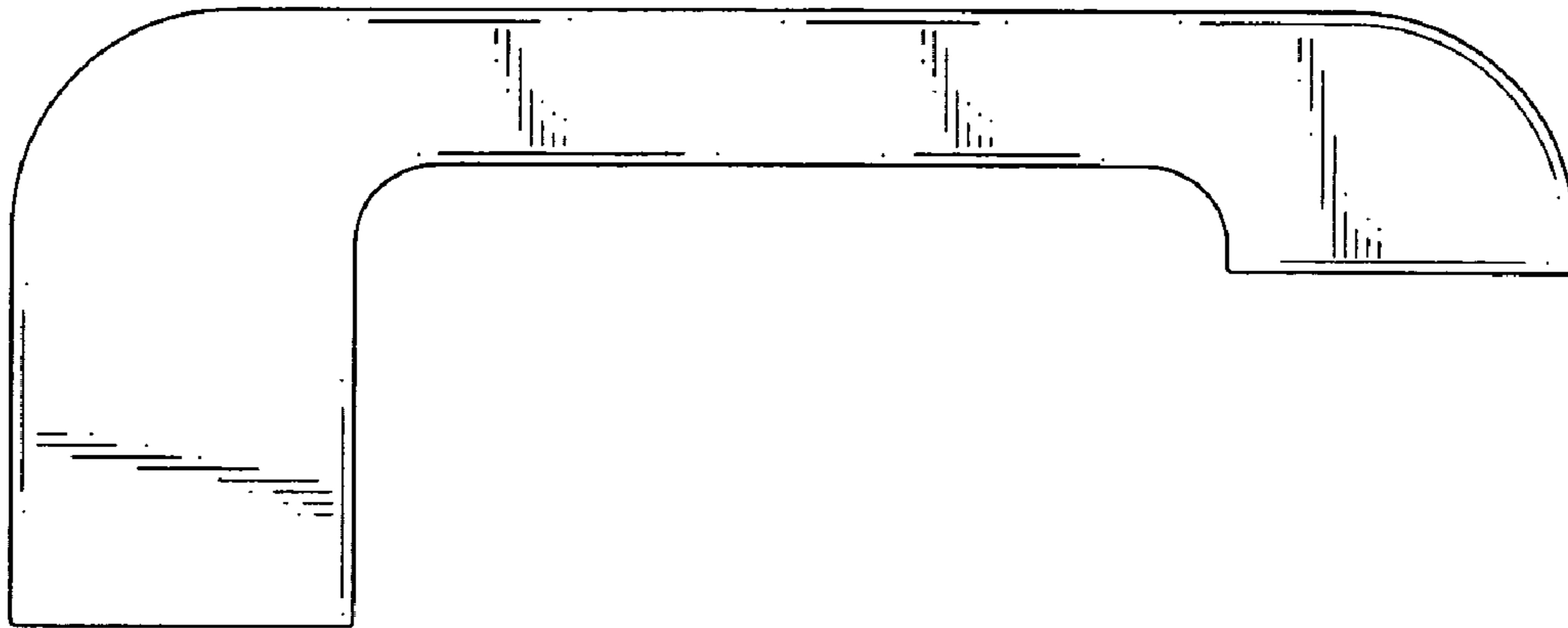


FIG. 2

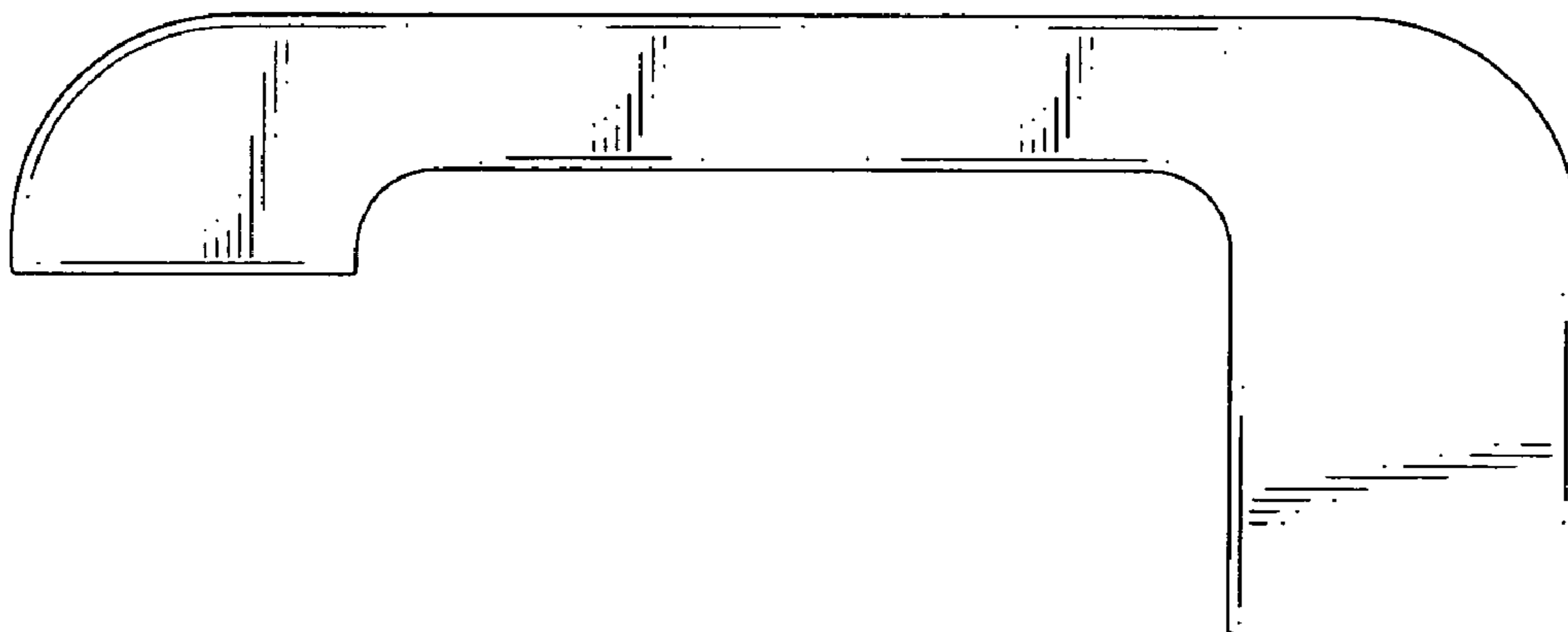


FIG. 3

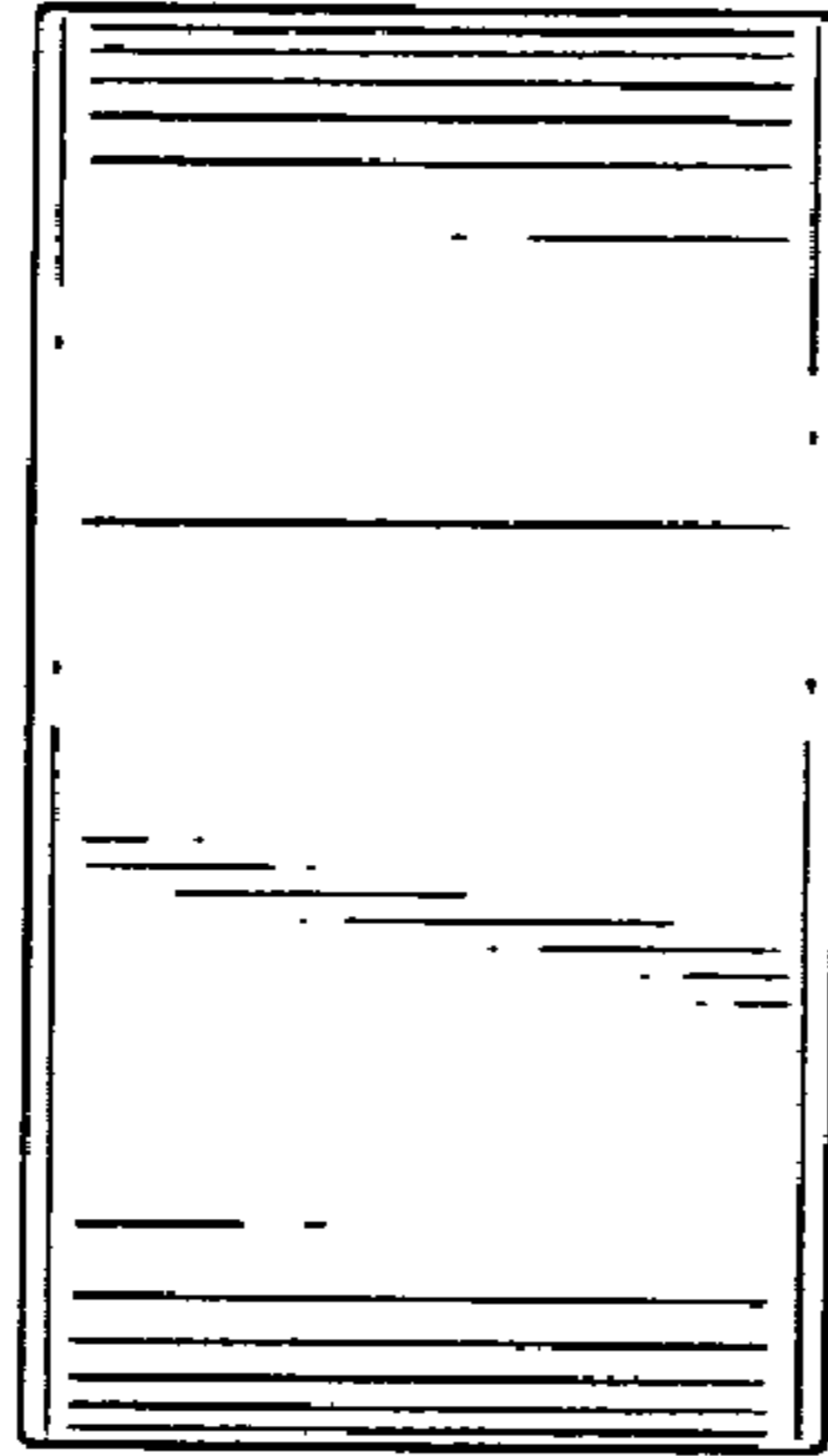


FIG. 4

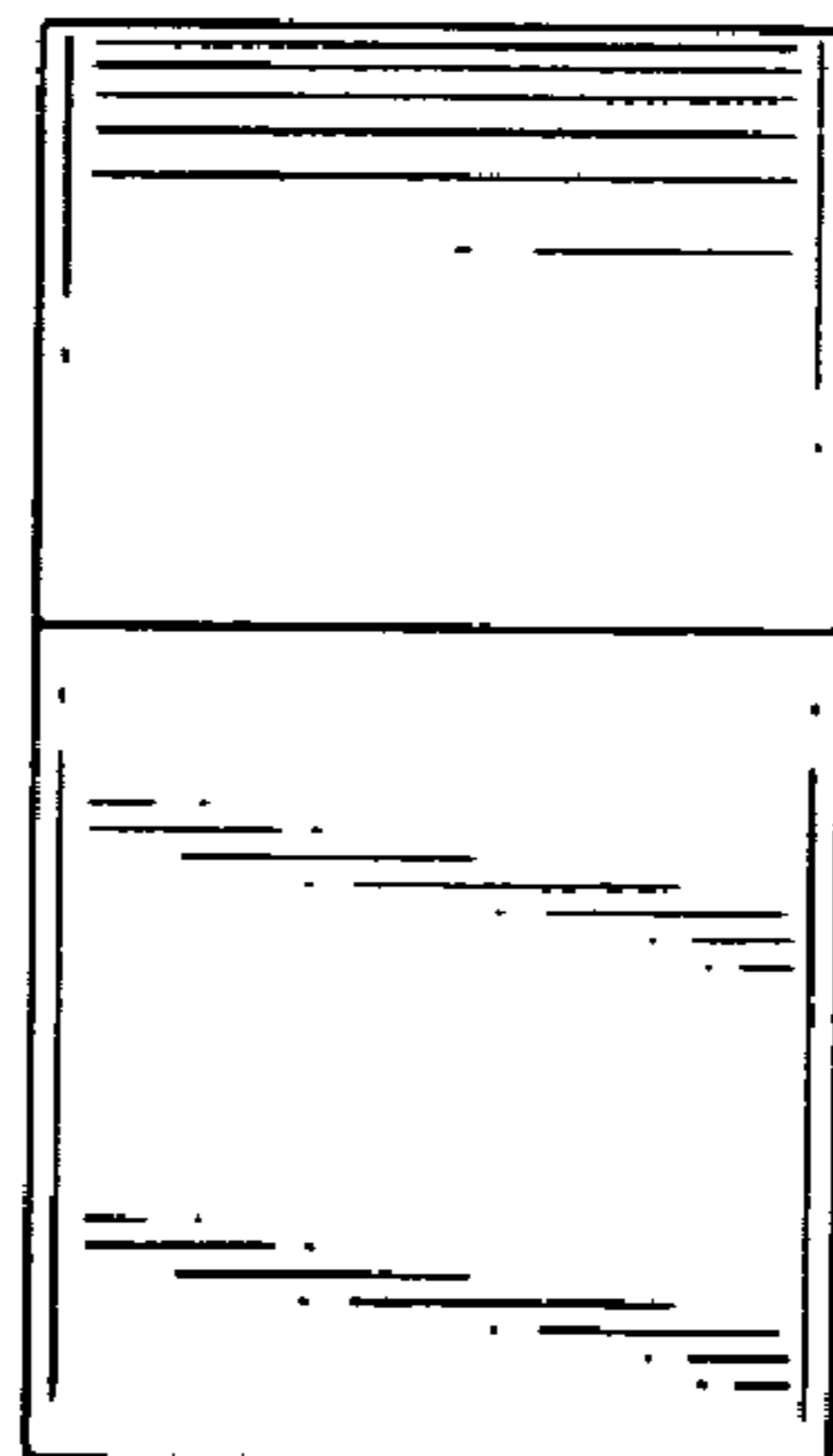


FIG. 5



FIG. 6

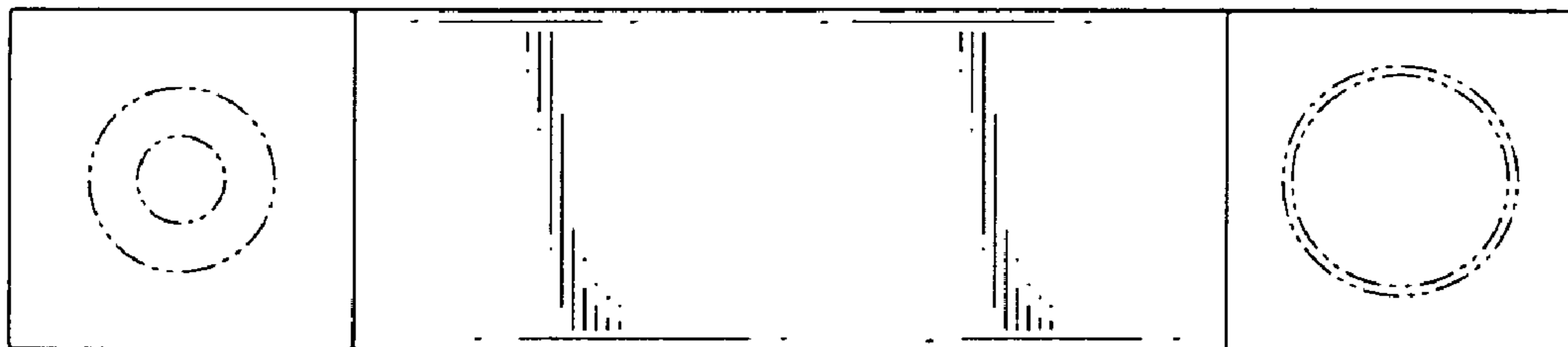


FIG. 7

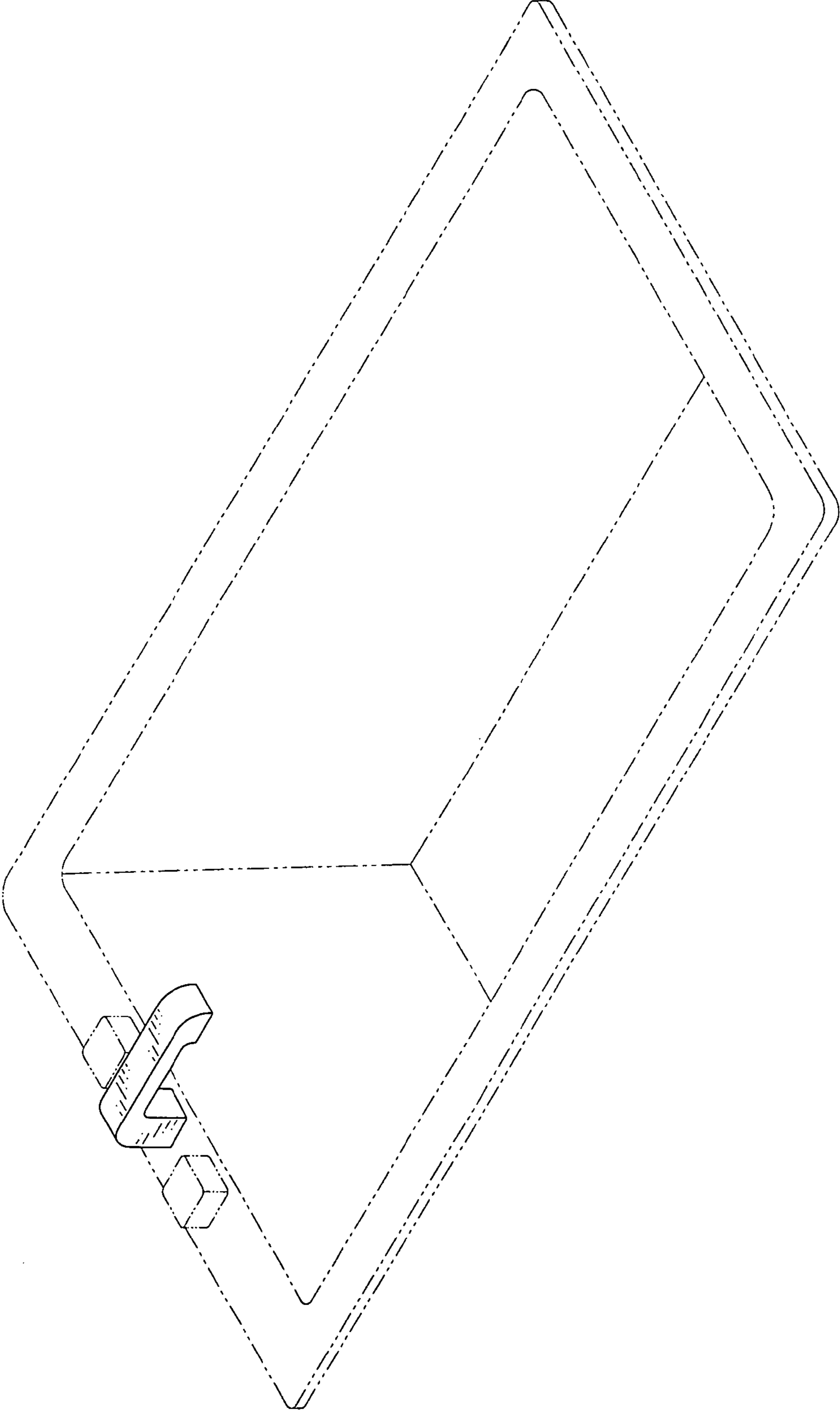


FIG. 8

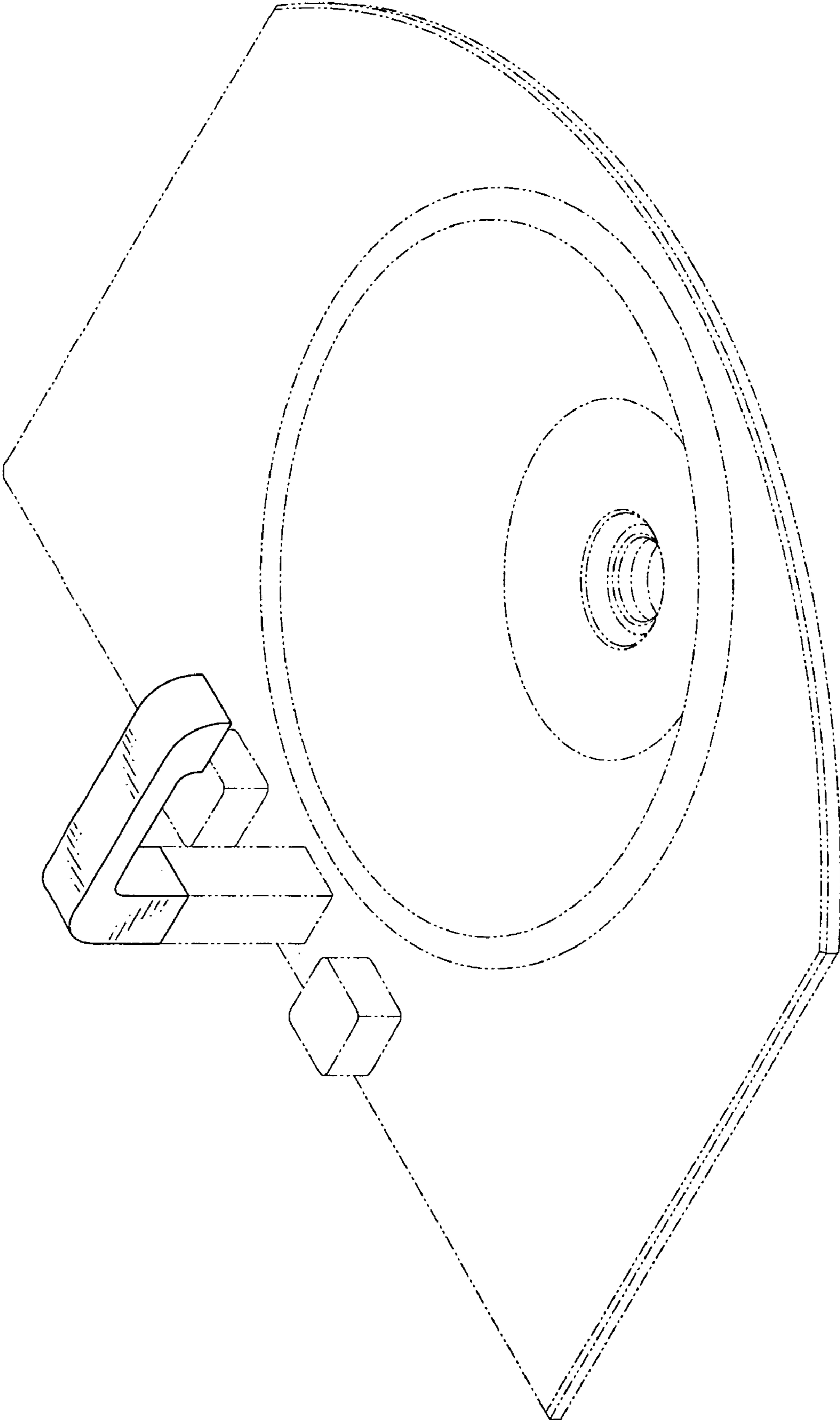


FIG. 9