



US00D606171S

(12) **United States Design Patent**
Lammel et al.

(10) **Patent No.:** **US D606,171 S**

(45) **Date of Patent:** **** Dec. 15, 2009**

(54) **MIXING TAP**

(75) Inventors: **Michael Lammel**, Aachen (DE);
Michael Zeisel, Aachen (DE)

(73) Assignee: **Hansa Metallwerke AG** (DE)

(**) Term: **14 Years**

(21) Appl. No.: **29/325,869**

(22) Filed: **Oct. 7, 2008**

(30) **Foreign Application Priority Data**

Apr. 8, 2008 (EM) 000910369

(51) **LOC (9) Cl.** **23-01**

(52) **U.S. Cl.** **D23/254**

(58) **Field of Classification Search** D23/200,
D23/238–257; D6/512, 546, 550; D8/300,
D8/306–308, 310, 321; 4/675–678; 137/801;
16/110.1, 441

See application file for complete search history.

(56) **References Cited**

U.S. PATENT DOCUMENTS

D363,765 S * 10/1995 Starck D23/254
D373,180 S * 8/1996 Gottwald D23/254
D400,651 S * 11/1998 Hundley et al. D23/254
D409,290 S * 5/1999 Gottwald D23/254
D417,260 S * 11/1999 Mullenmeister D23/254
D441,845 S * 5/2001 Fleischmann D23/254
D441,846 S * 5/2001 Mullenmeister D23/254
D461,878 S * 8/2002 Green et al. D23/254
D473,291 S * 4/2003 Marshall D23/254

D531,704 S * 11/2006 Funck et al. D23/254
D580,525 S * 11/2008 Citterio D23/254
D581,490 S * 11/2008 Painter D23/254

* cited by examiner

Primary Examiner—T. Chase Nelson

Assistant Examiner—Mark Cavanna

(74) *Attorney, Agent, or Firm*—Factor & Lake

(57) **CLAIM**

The ornamental design for mixing tap, as shown and described.

DESCRIPTION

This application is related to U.S. patent application Ser. Nos. 29/325,865, entitled Mixing Tap; 29/325,866, entitled Mixing Tap; 29/325,873, entitled Mixing Tap; and, 29/325,878, Mixing Tap—all of which were simultaneously filed on Oct. 7, 2008.

FIG. 1 is a perspective view of a mixing tap showing our new design;

FIG. 2 is a front view thereof;

FIG. 3 is a rear view thereof;

FIG. 4 is a right side view thereof;

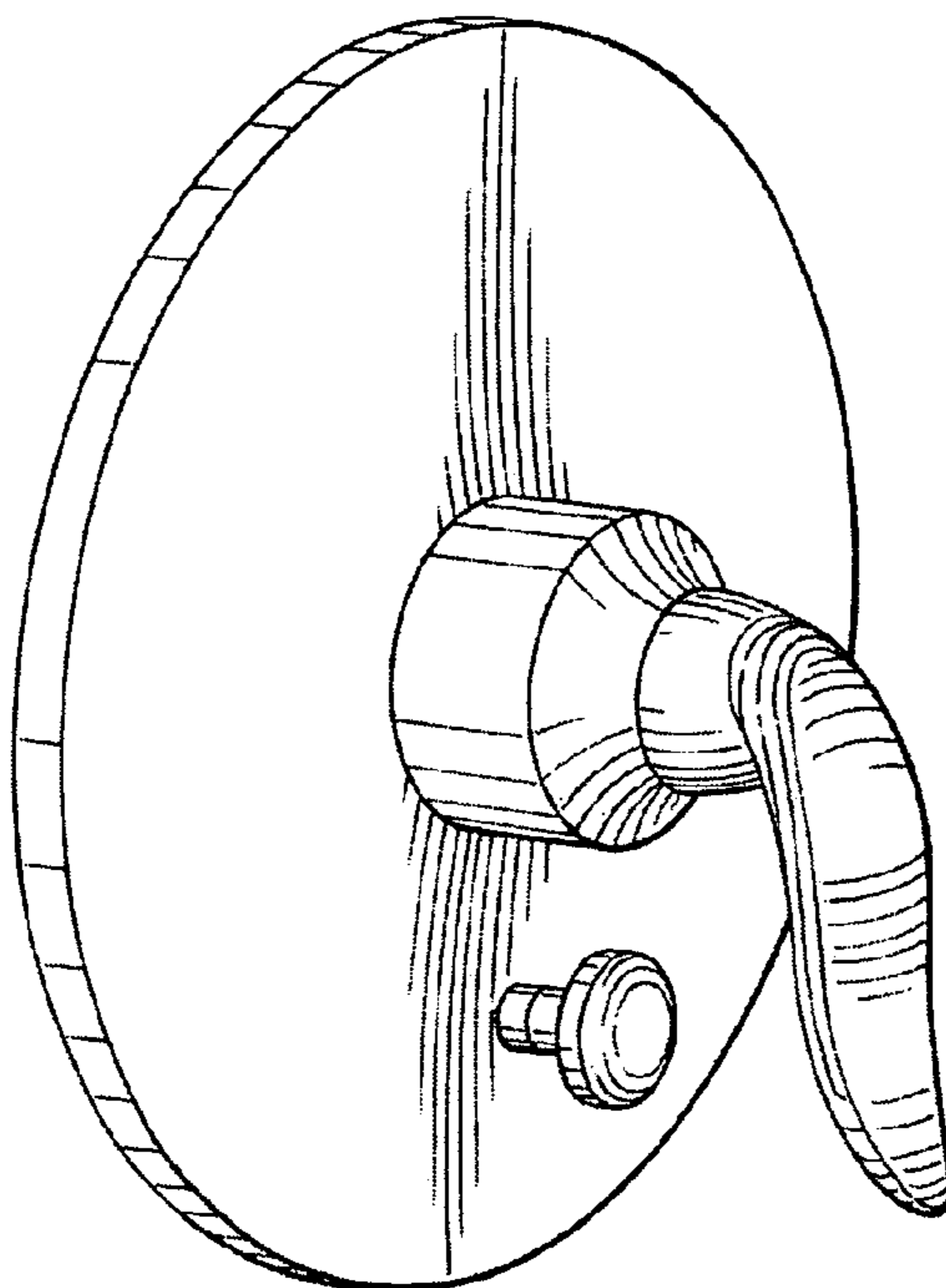
FIG. 5 is a left side view thereof;

FIG. 6 is a top view thereof; and,

FIG. 7 is a bottom view thereof.

The broken lines showing the interior of the rear of the mixing tap are included for the purpose of illustrating portions of the mixing tap that form no part of the claimed design.

1 Claim, 3 Drawing Sheets



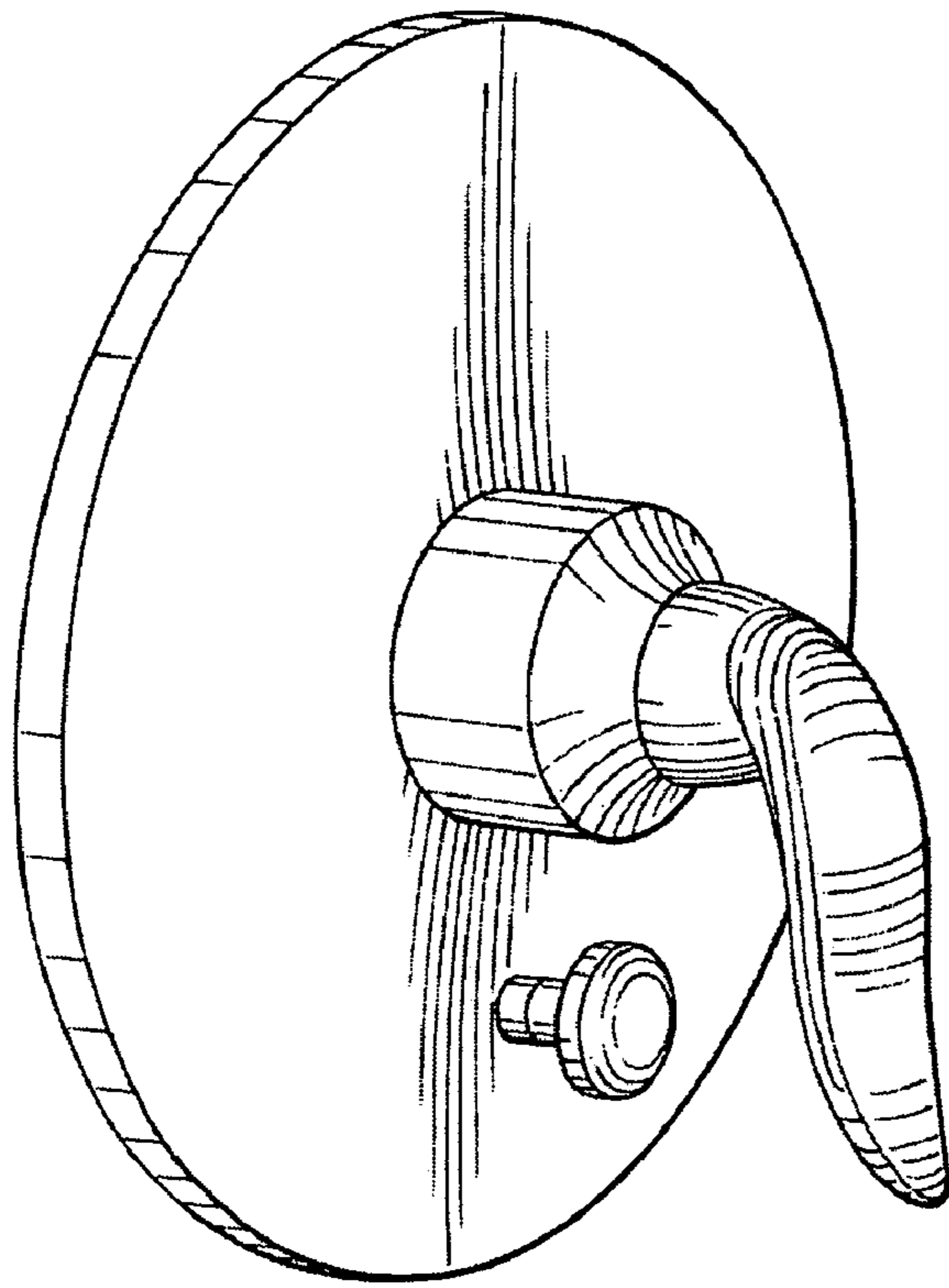


FIG. 1

FIG. 2

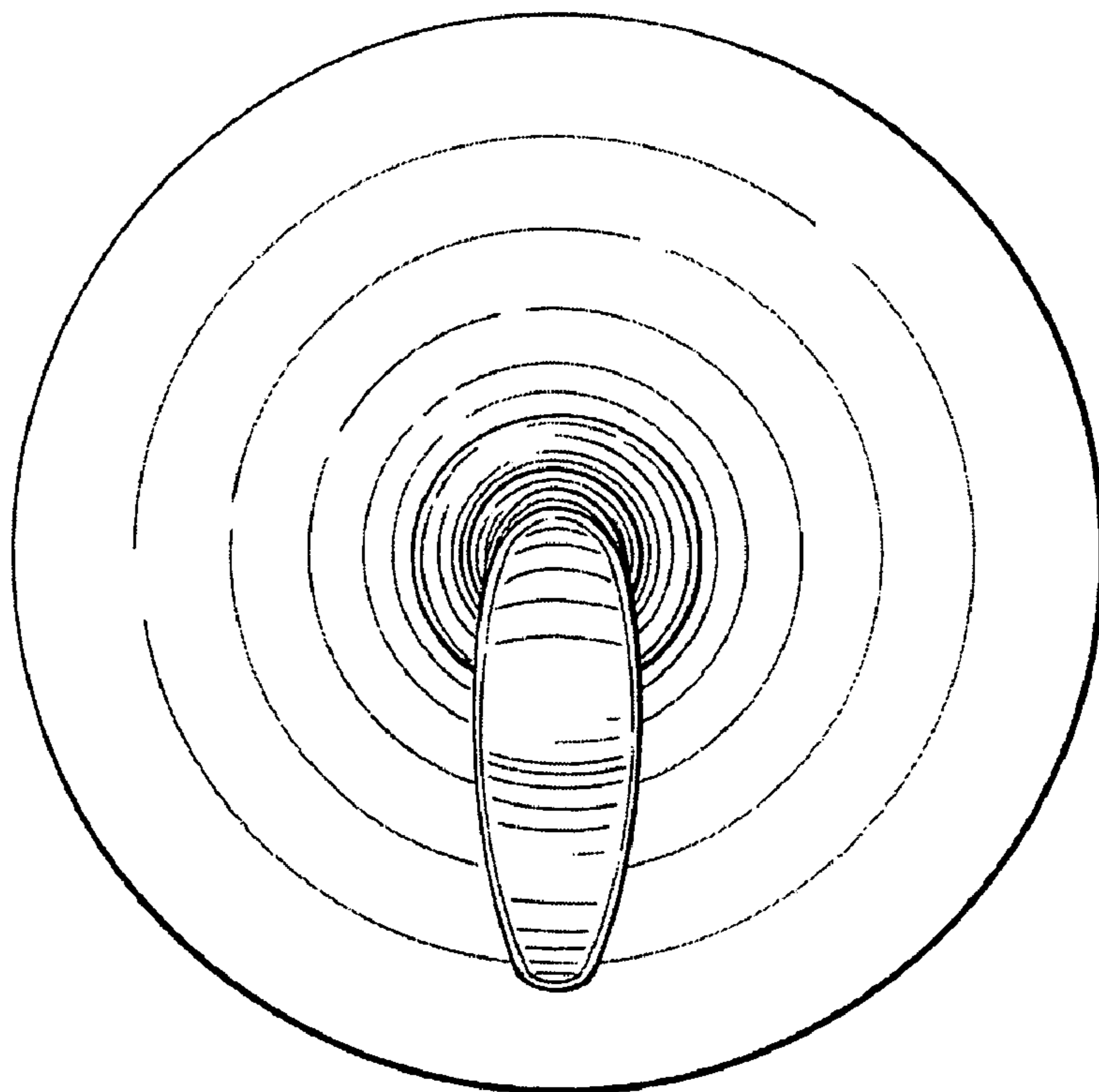


FIG. 3

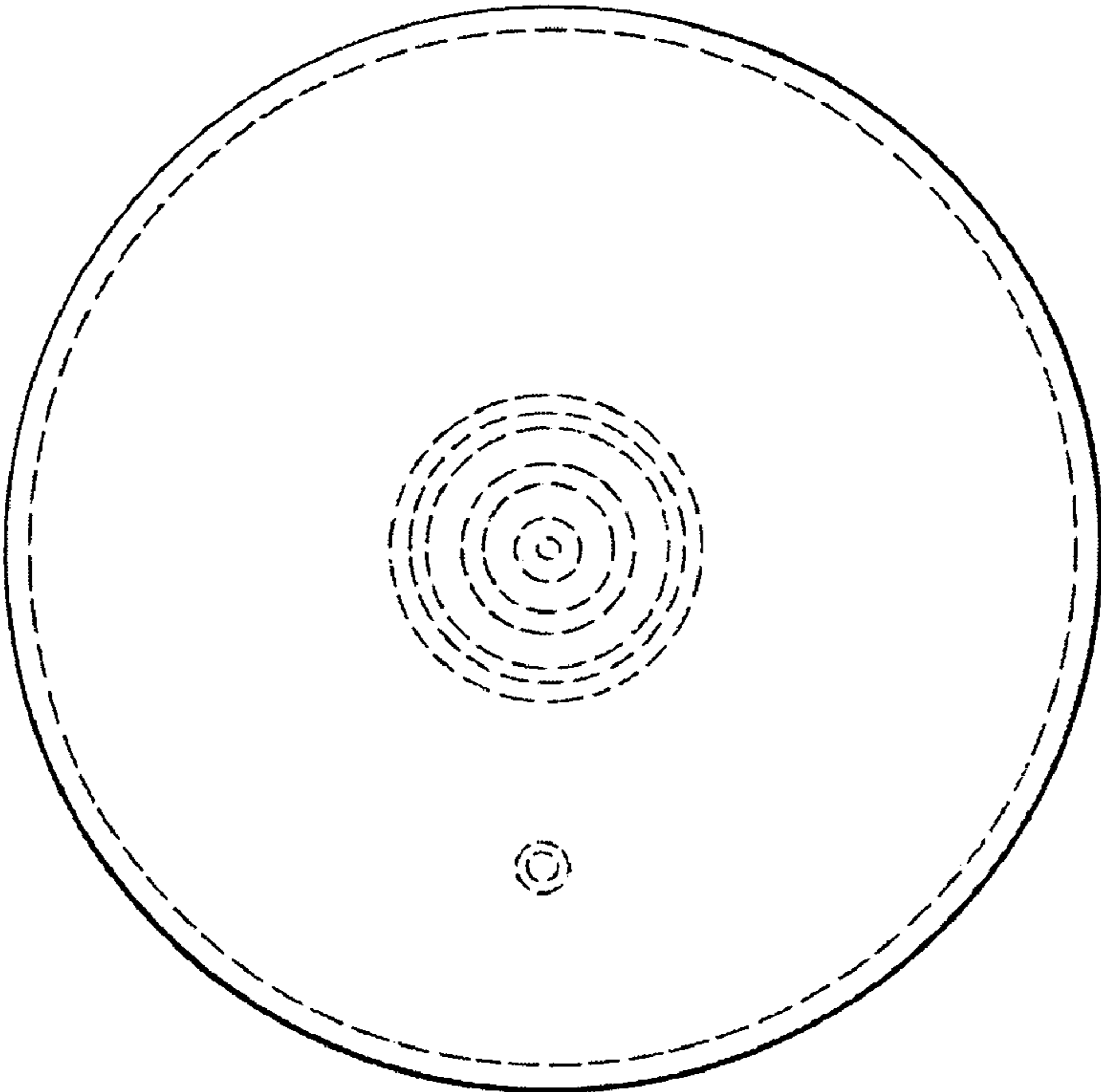


FIG. 4

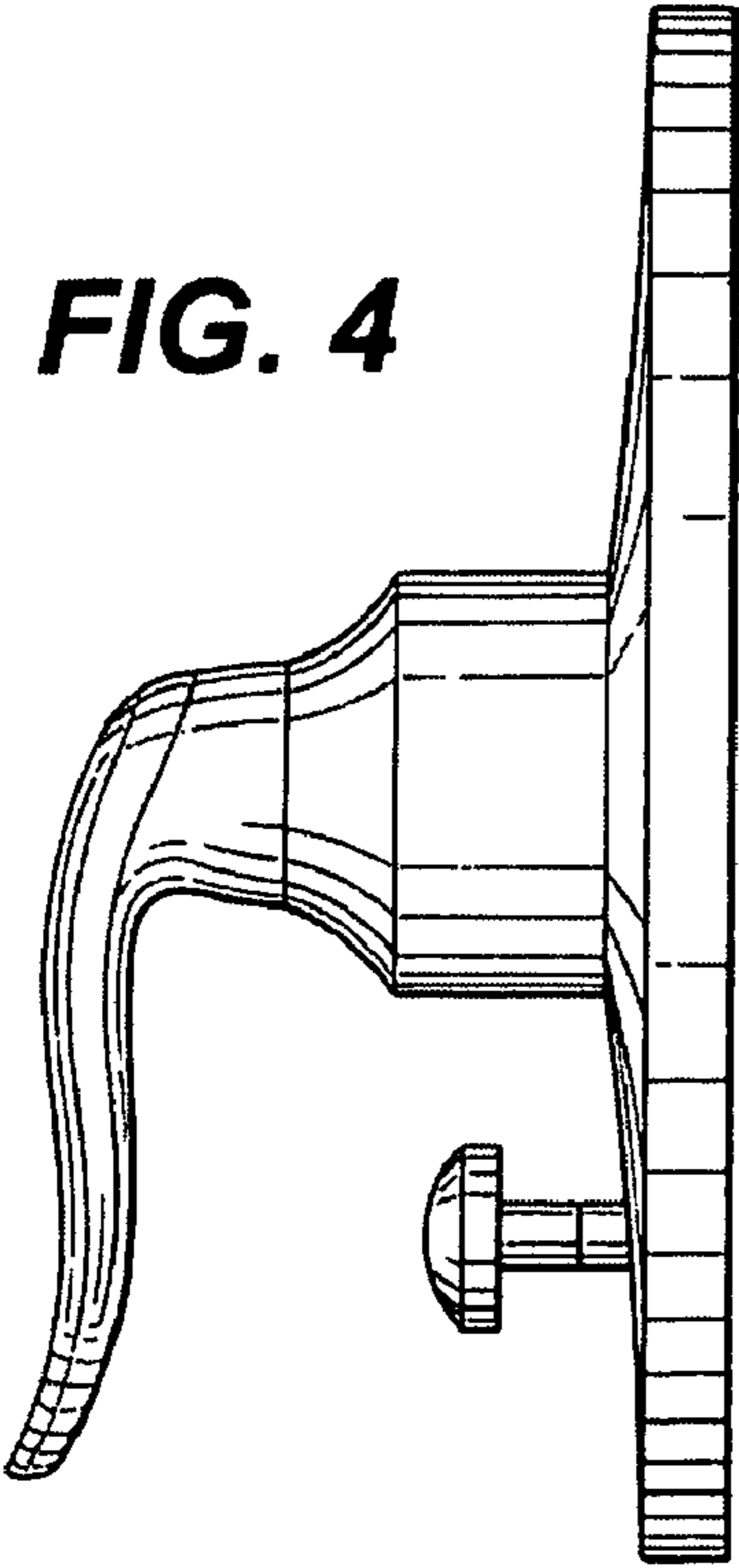


FIG. 5

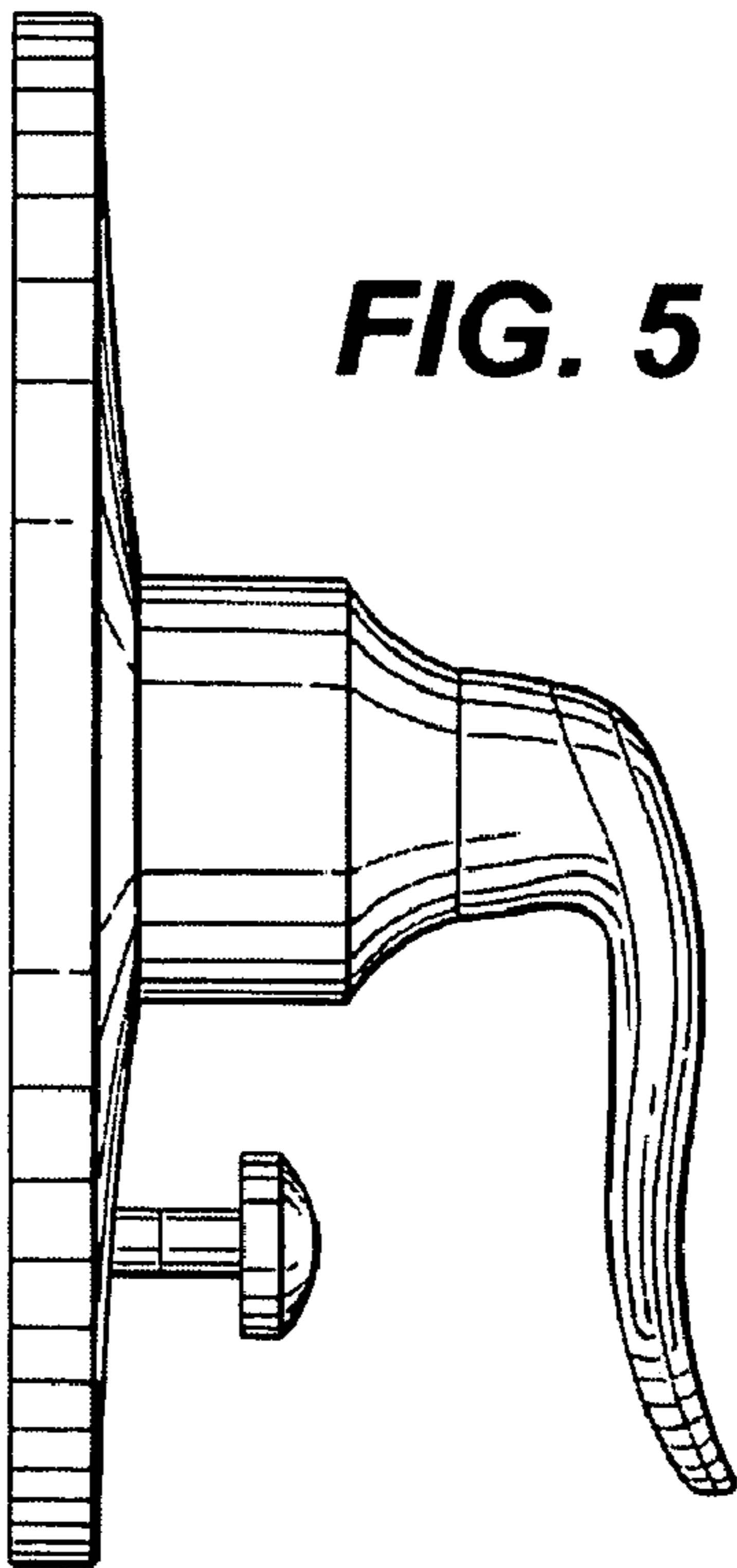


FIG. 6

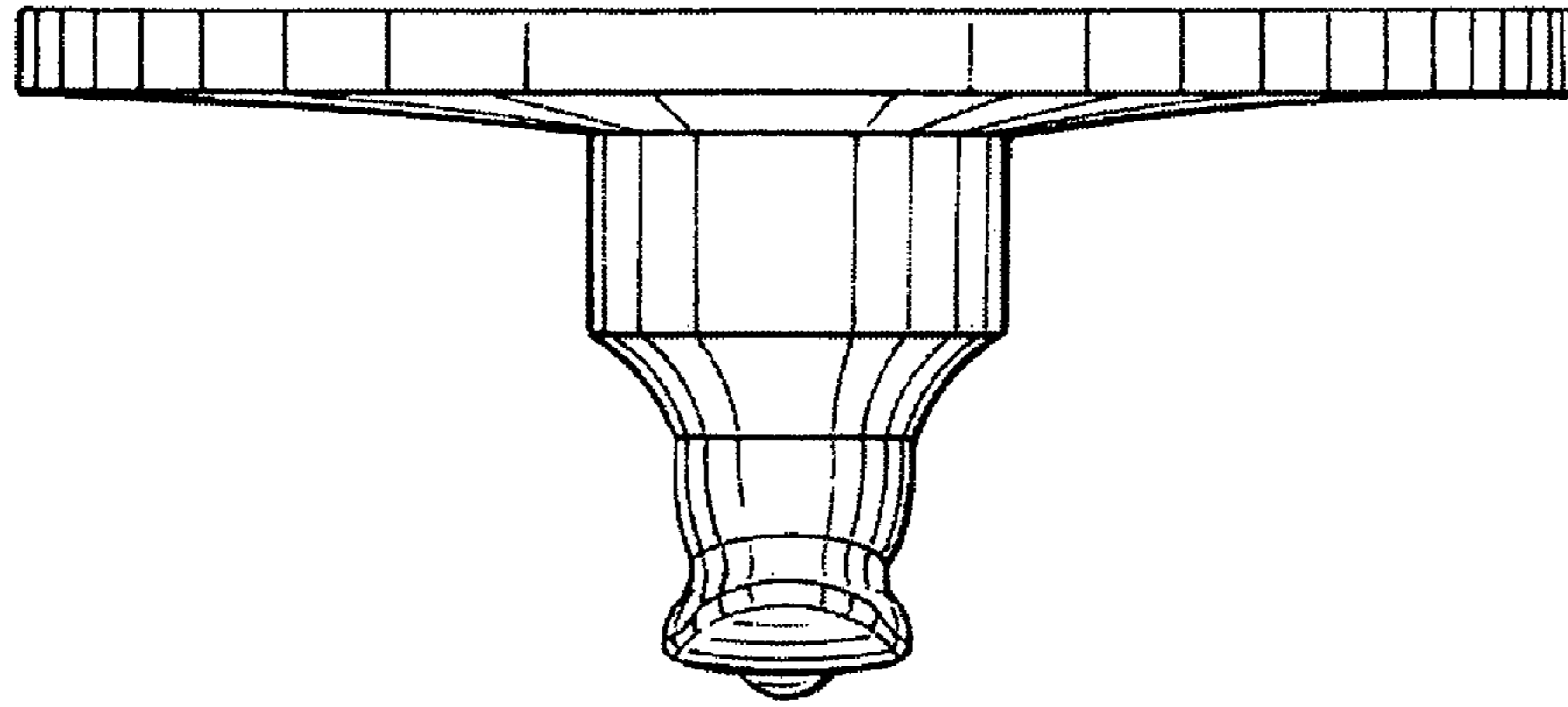


FIG. 7

