

US00D606168S

(12) **United States Design Patent**
Miyazoe

(10) **Patent No.:** **US D606,168 S**

(45) **Date of Patent:** **** Dec. 15, 2009**

(54) **ELECTROMAGNETIC VALVE**

(75) Inventor: **Shinji Miyazoe**, Tsukubamirai (JP)

(73) Assignee: **SMC Corporation**, Chiyoda-ku, Tokyo (JP)

(**) Term: **14 Years**

(21) Appl. No.: **29/336,047**

(22) Filed: **Apr. 28, 2009**

Related U.S. Application Data

(63) Continuation of application No. 29/310,765, filed on Sep. 9, 2008.

(30) **Foreign Application Priority Data**

Mar. 24, 2008 (JP) 2008-007178

(51) **LOC (9) Cl.** **23-01**

(52) **U.S. Cl.** **D23/233**

(58) **Field of Classification Search** D23/233-237, D23/244-249; D15/5, 7, 199; 137/554, 137/557, 560, 861, 882, 884, 269, 270, 271, 137/343, 625.64; 251/596.13, 596.16, 331, 251/219, 15, 130, 129.04

See application file for complete search history.

(56) **References Cited**

U.S. PATENT DOCUMENTS

- D414,545 S * 9/1999 Hayashi et al. D23/233
- D424,166 S * 5/2000 Hayashi et al. D23/233
- D428,111 S * 7/2000 Hayashi et al. D23/233
- D479,308 S * 9/2003 Hayashi et al. D23/233

- D479,738 S * 9/2003 Hayashi et al. D23/233
- D532,865 S * 11/2006 Miyazoe et al. D23/233
- D533,628 S * 12/2006 Miyazoe et al. D23/233
- D545,945 S * 7/2007 Miyazoe D23/233
- D563,507 S * 3/2008 Kato et al. D23/233
- D563,514 S * 3/2008 Mita et al. D23/233
- D563,516 S * 3/2008 Mita et al. D23/233
- D564,631 S * 3/2008 Miyazoe et al. D23/233

* cited by examiner

Primary Examiner—Cathron C. Brooks

Assistant Examiner—Maurice Stevens

(74) *Attorney, Agent, or Firm*—Yokoi & Co., U.S.A., Inc.; Peter Ganjian

(57) **CLAIM**

The ornamental design for an electromagnetic valve, as shown and described.

DESCRIPTION

FIG. 1 shows a front view of an electromagnetic valve showing my new design;

FIG. 2 shows a rear view thereof;

FIG. 3 shows a right side view thereof;

FIG. 4 shows a left side view thereof;

FIG. 5 shows a top view thereof;

FIG. 6 shows a bottom view thereof;

FIG. 7 shows a top, front and left side perspective view thereof; and,

FIG. 8 shows a bottom, rear and right side perspective view thereof.

1 Claim, 8 Drawing Sheets

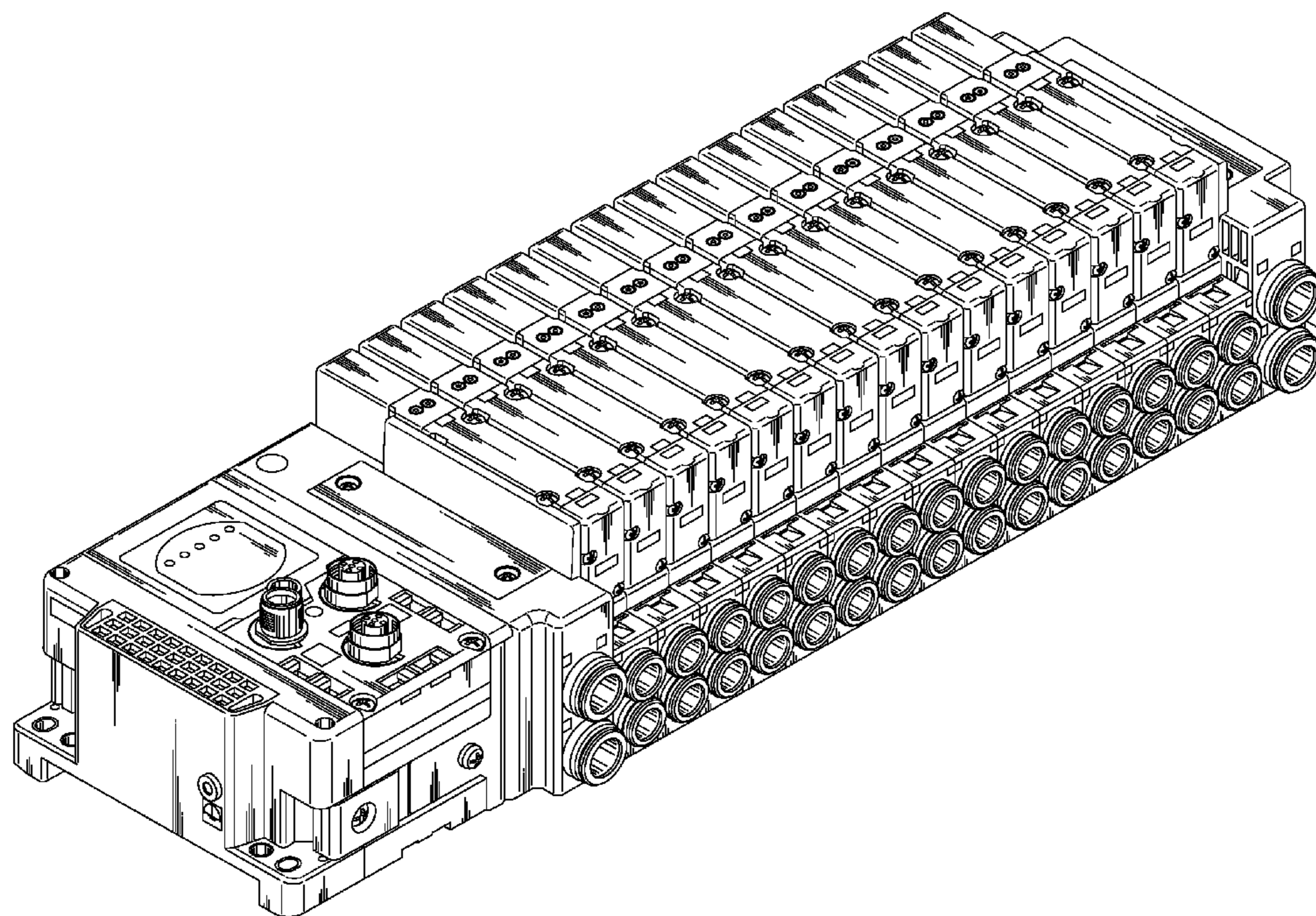


FIG. 1

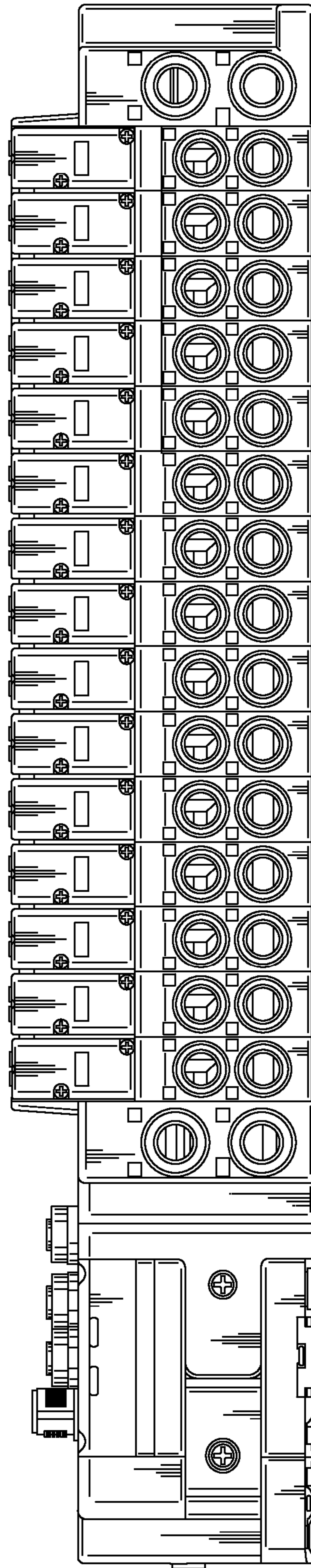


FIG. 2

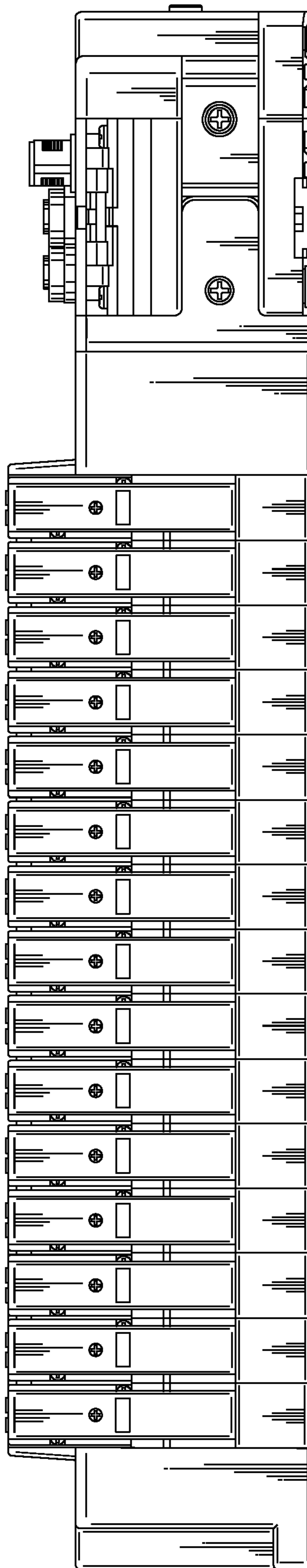


FIG. 3

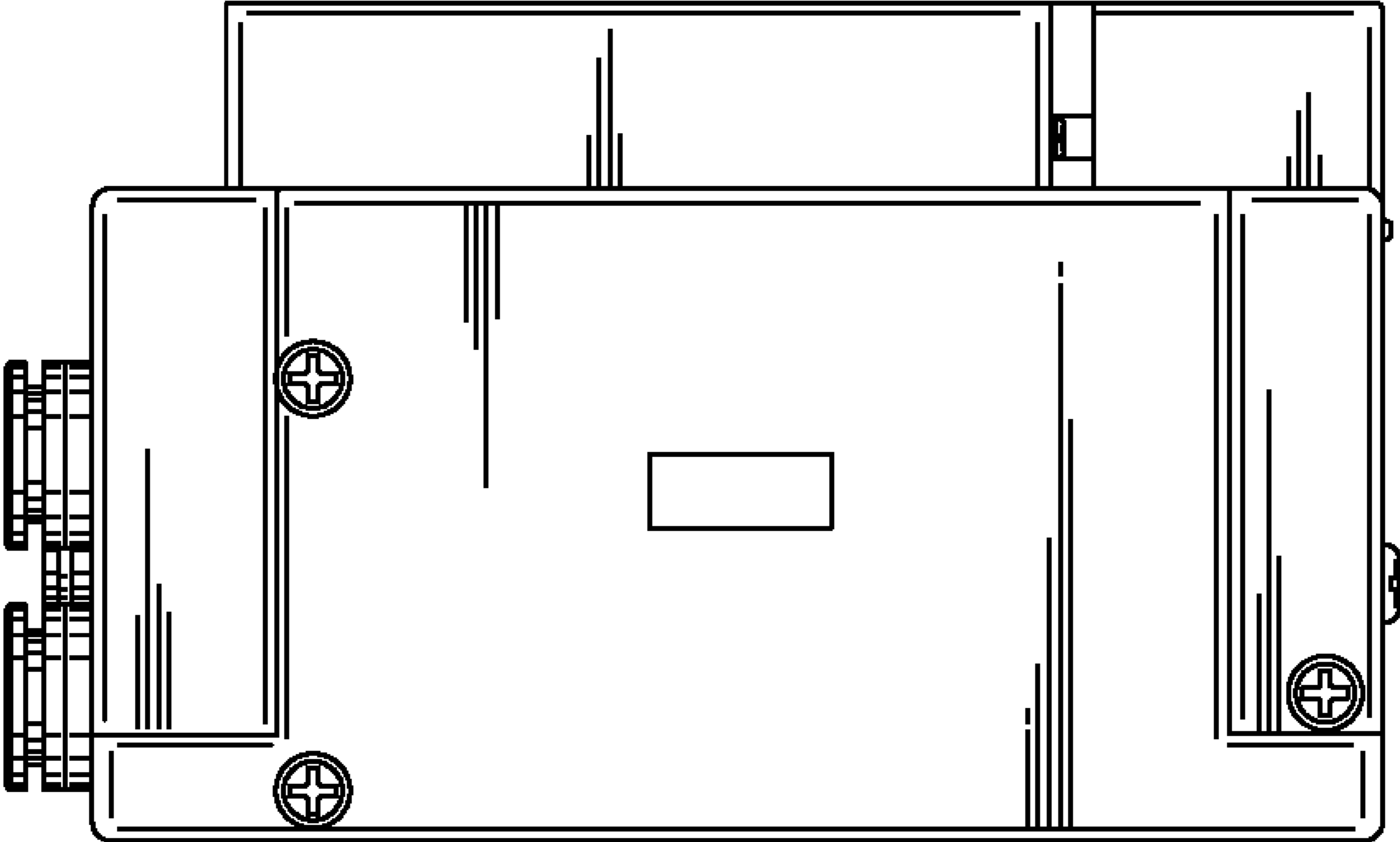


FIG. 4

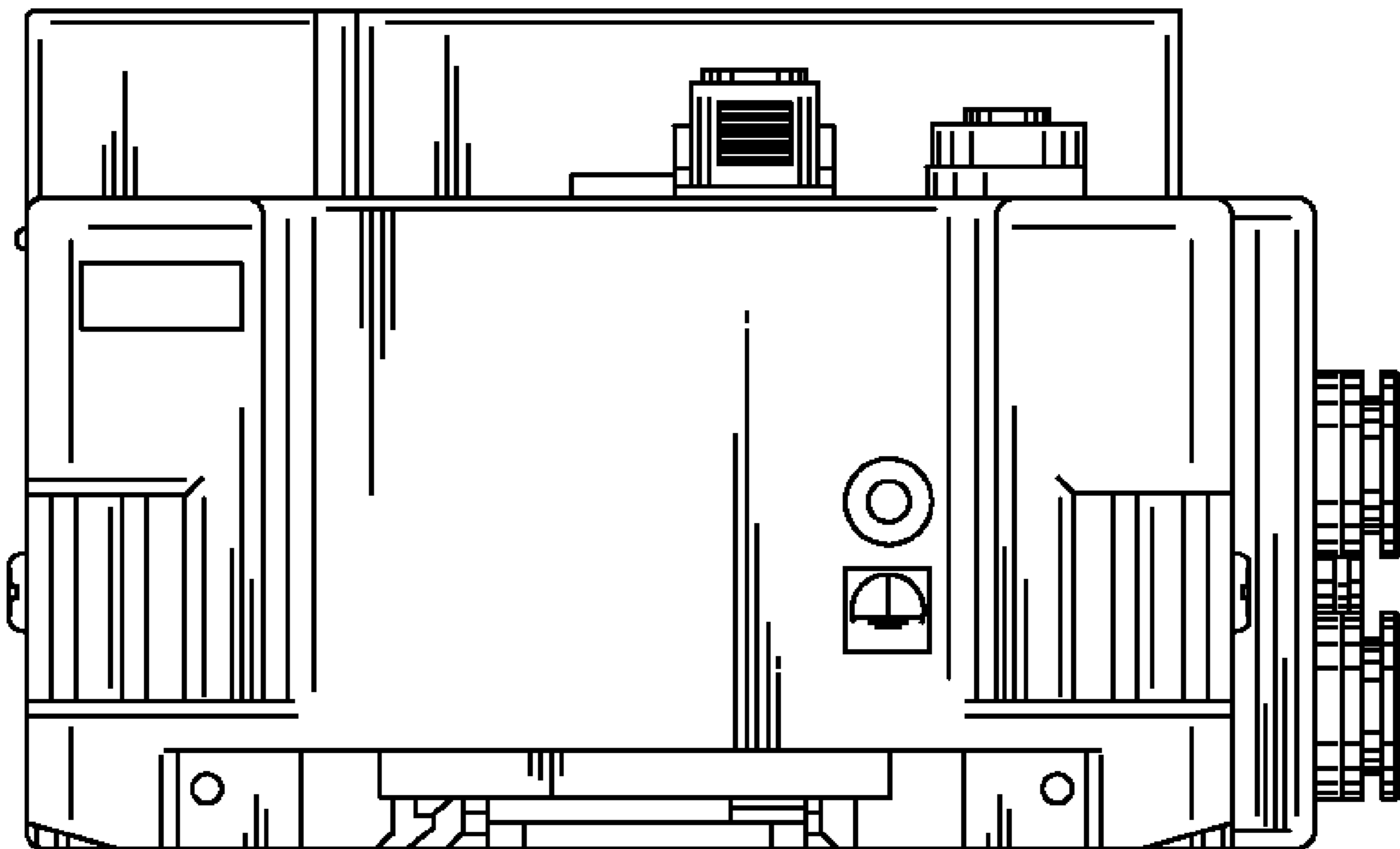


FIG. 5

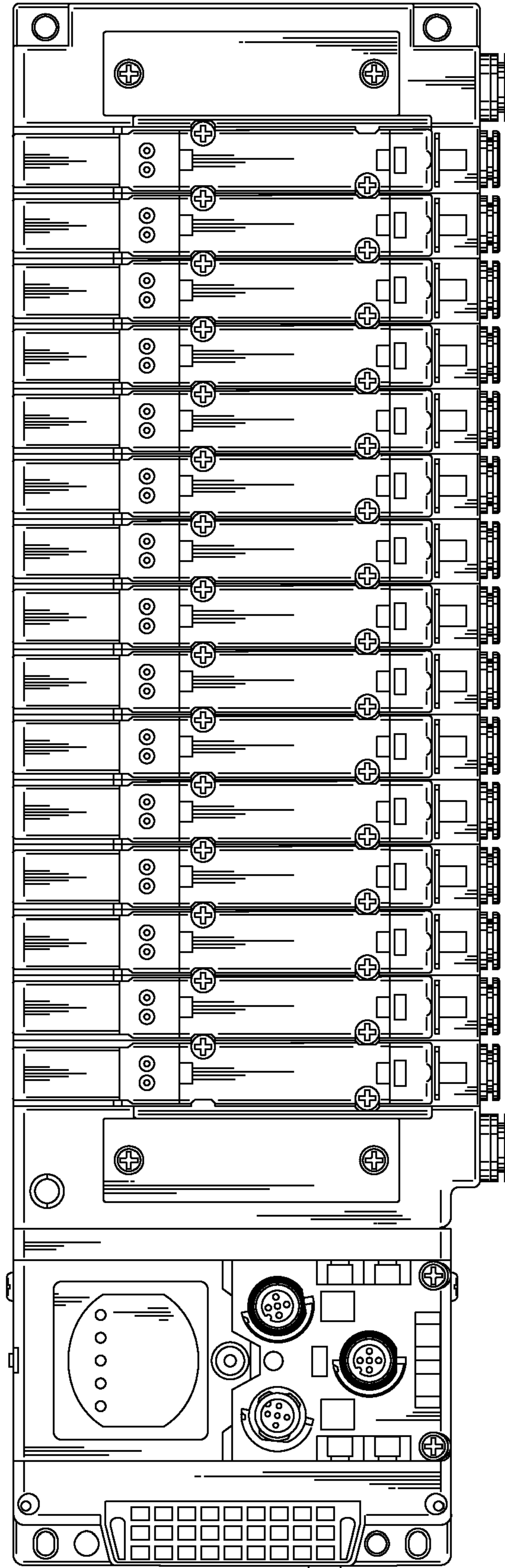


FIG. 6

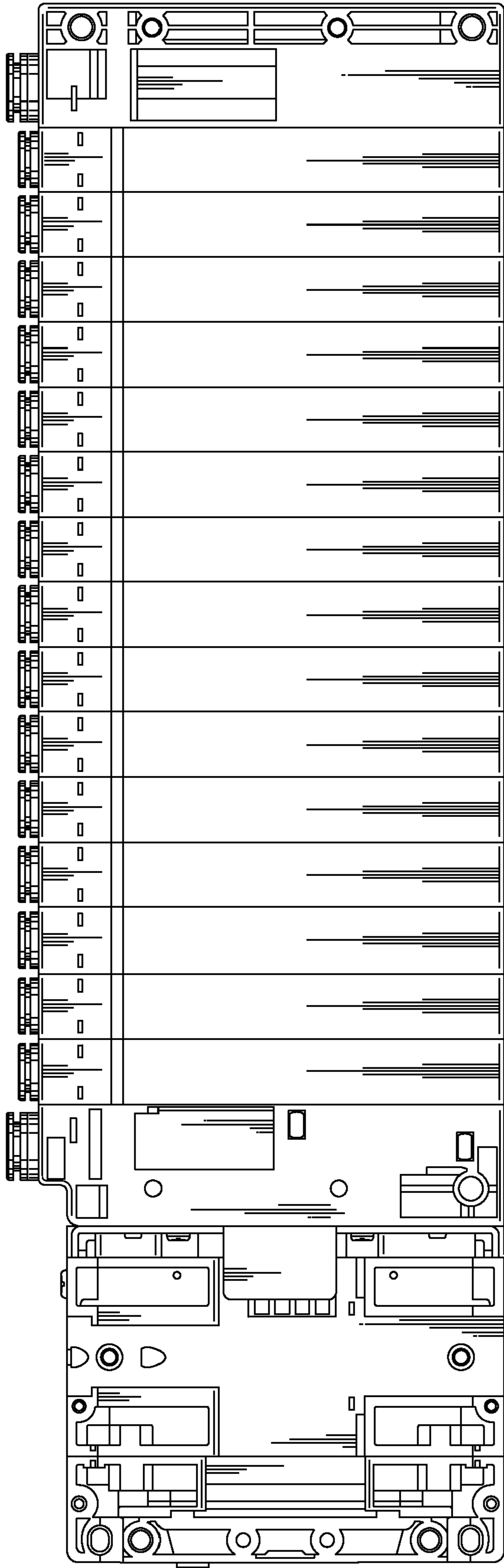


FIG. 7

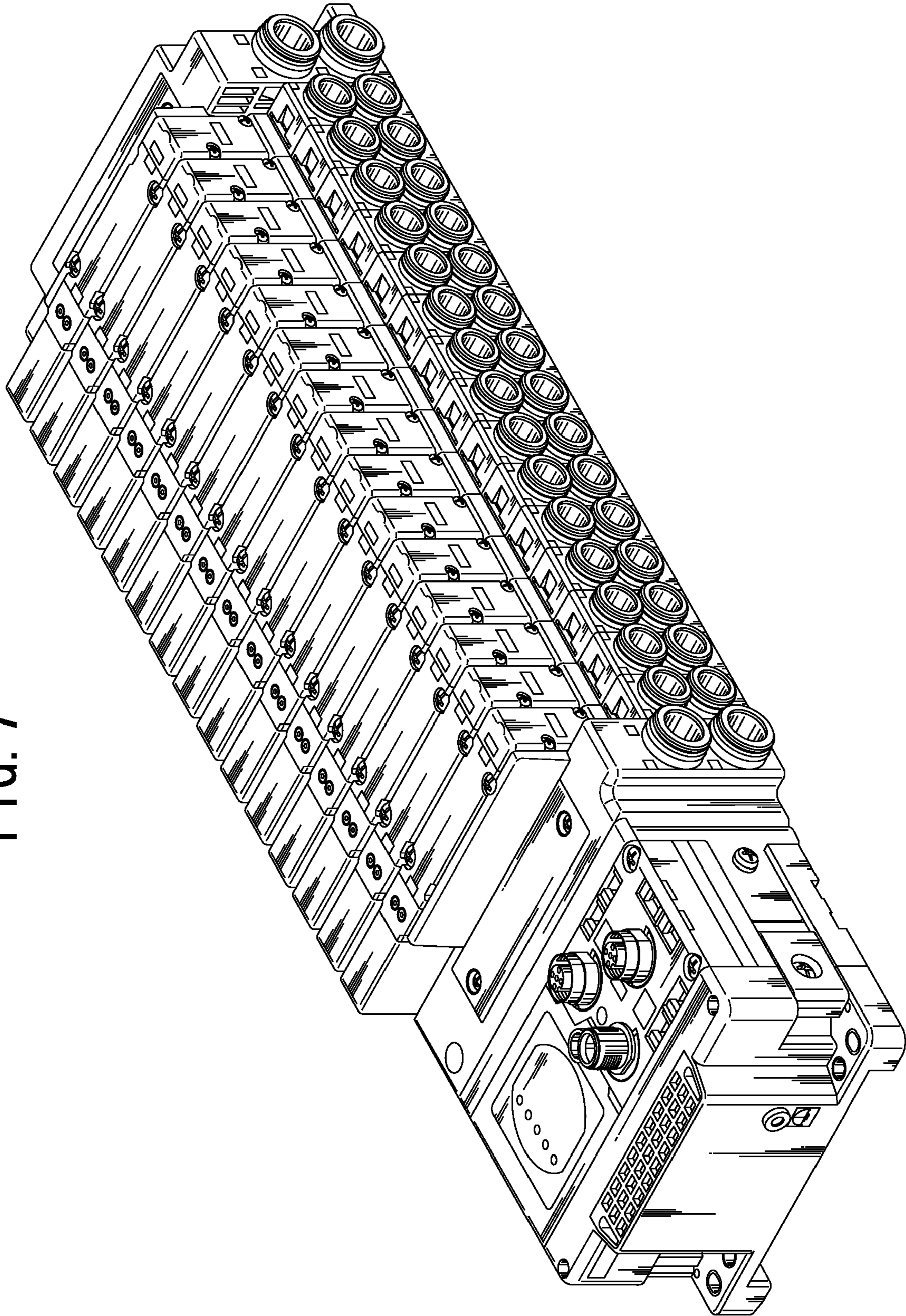


FIG. 8

