



US00D606165S

(12) **United States Design Patent**
Kurisaki

(10) **Patent No.:** **US D606,165 S**

(45) **Date of Patent:** **** Dec. 15, 2009**

(54) **MANIFOLD FOR FLOW SWITCHES**

D545,406 S * 6/2007 Surinak D23/266
D591,407 S * 4/2009 Youssef et al. D23/266
D593,186 S * 5/2009 van der Meijden et al. . D23/266

(75) Inventor: **Shogo Kurisaki**, Tsukubamirai (JP)

(73) Assignee: **SMC Corporation**, Chiyoda-ku, Tokyo (JP)

* cited by examiner

(**) Term: **14 Years**

Primary Examiner—Cathron C. Brooks

Assistant Examiner—Maurice Stevens

(21) Appl. No.: **29/312,383**

(74) *Attorney, Agent, or Firm*—Yokoi & Co., U.S.A., Inc.; Peter Ganjian

(22) Filed: **Oct. 17, 2008**

(57) **CLAIM**

(30) **Foreign Application Priority Data**

The ornamental design for a manifold for flow switches, as shown and described.

Apr. 18, 2008 (JP) 2008-010017

DESCRIPTION

(51) **LOC (9) Cl.** **23-01**

(52) **U.S. Cl.** **D23/233**

(58) **Field of Classification Search** D23/233–237,
D23/244–249, 264, 266; 91/1; 92/5 R; 340/606,
340/610, 611; 307/118; 335/205–207; 137/312.1,
137/522, 523, 551, 554; 73/861.44, 861.47,
73/861.62, 745; 200/81.9 R, 81.9 M, 81.4,
200/81.5, 82 E, 83 Q

See application file for complete search history.

FIG. 1 shows a front view of a manifold for flow switches showing my new design;

FIG. 2 shows a rear view thereof;

FIG. 3 shows a right side view thereof;

FIG. 4 shows a left side view thereof;

FIG. 5 shows a top view thereof;

FIG. 6 shows a bottom view thereof;

FIG. 7 shows a top, front and right side perspective view thereof; and,

FIG. 8 is a partial cross-sectional view taken along line 8—8 of FIG. 7, but showing one end only.

The broken line showing of unclaimed portions forms no part of the claimed design.

(56) **References Cited**

U.S. PATENT DOCUMENTS

5,070,220 A * 12/1991 Glenn 200/81.9 M
5,225,641 A * 7/1993 Weld et al. 200/81.9 R
D400,670 S * 11/1998 Sorkin D23/393
D441,060 S * 4/2001 Lefroy-Brooks D23/255
D527,793 S * 9/2006 Cantolino D23/233
7,105,757 B2 * 9/2006 Valentini 200/81.9 M

1 Claim, 8 Drawing Sheets

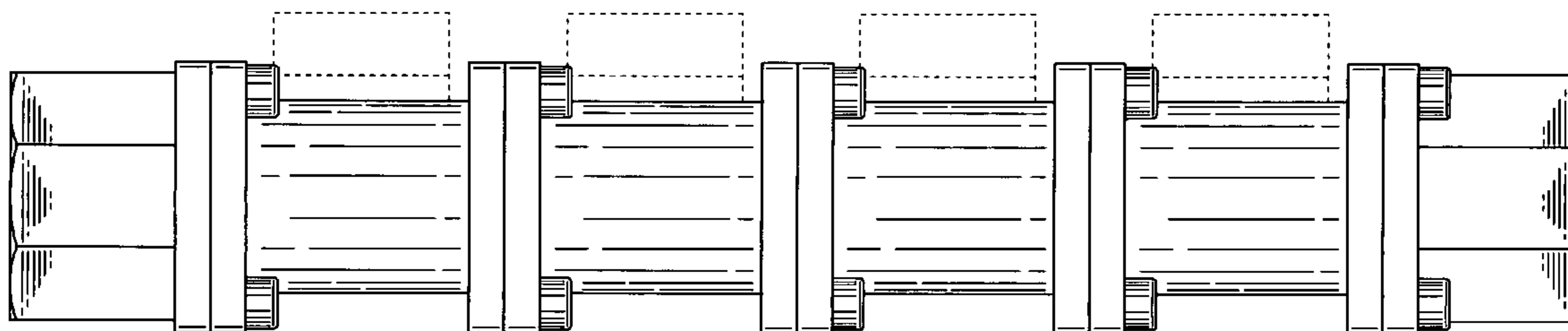


FIG. 1

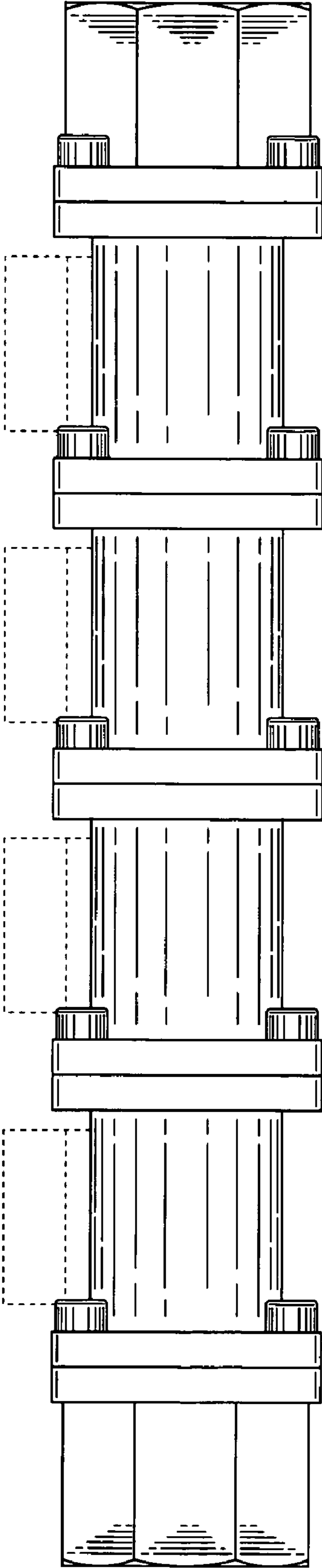


FIG. 2

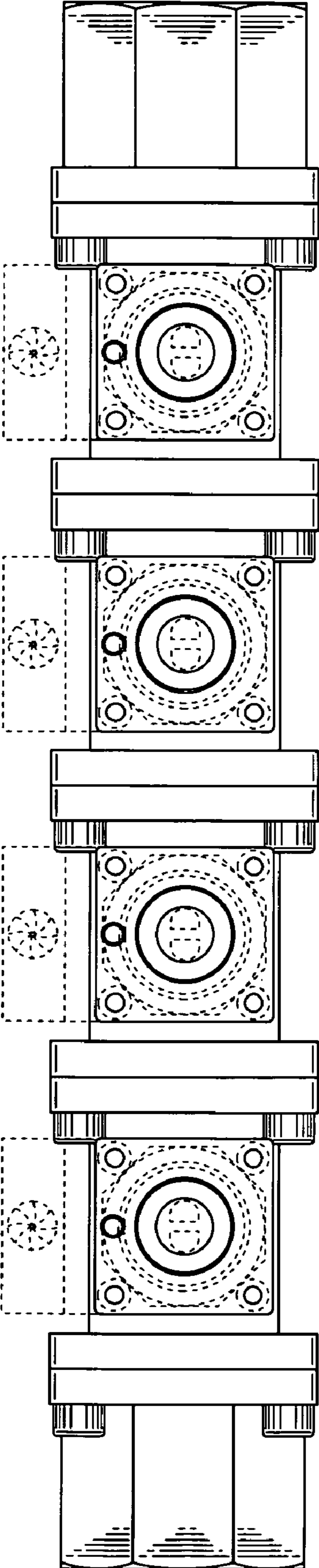


FIG. 3

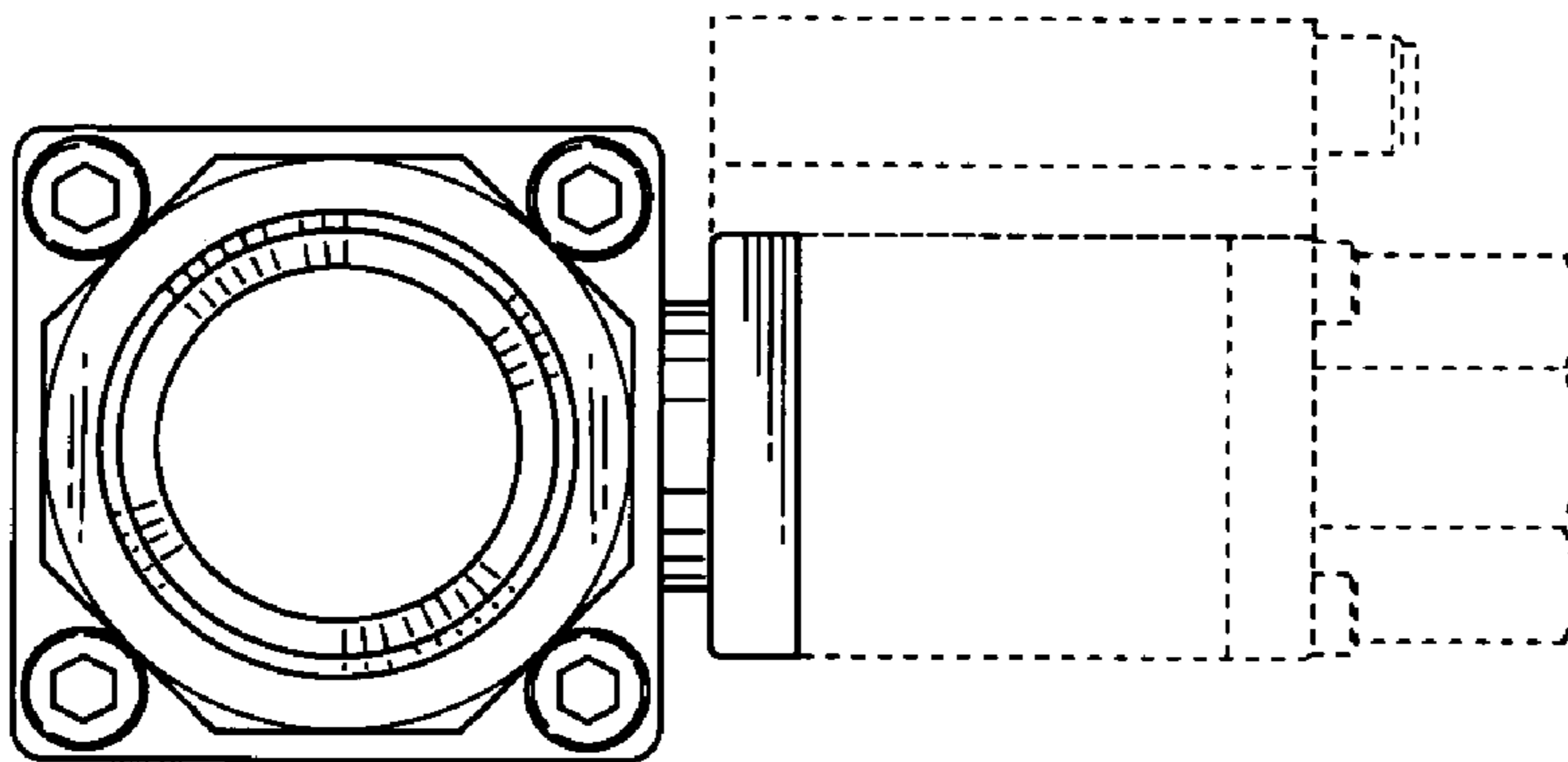


FIG. 4

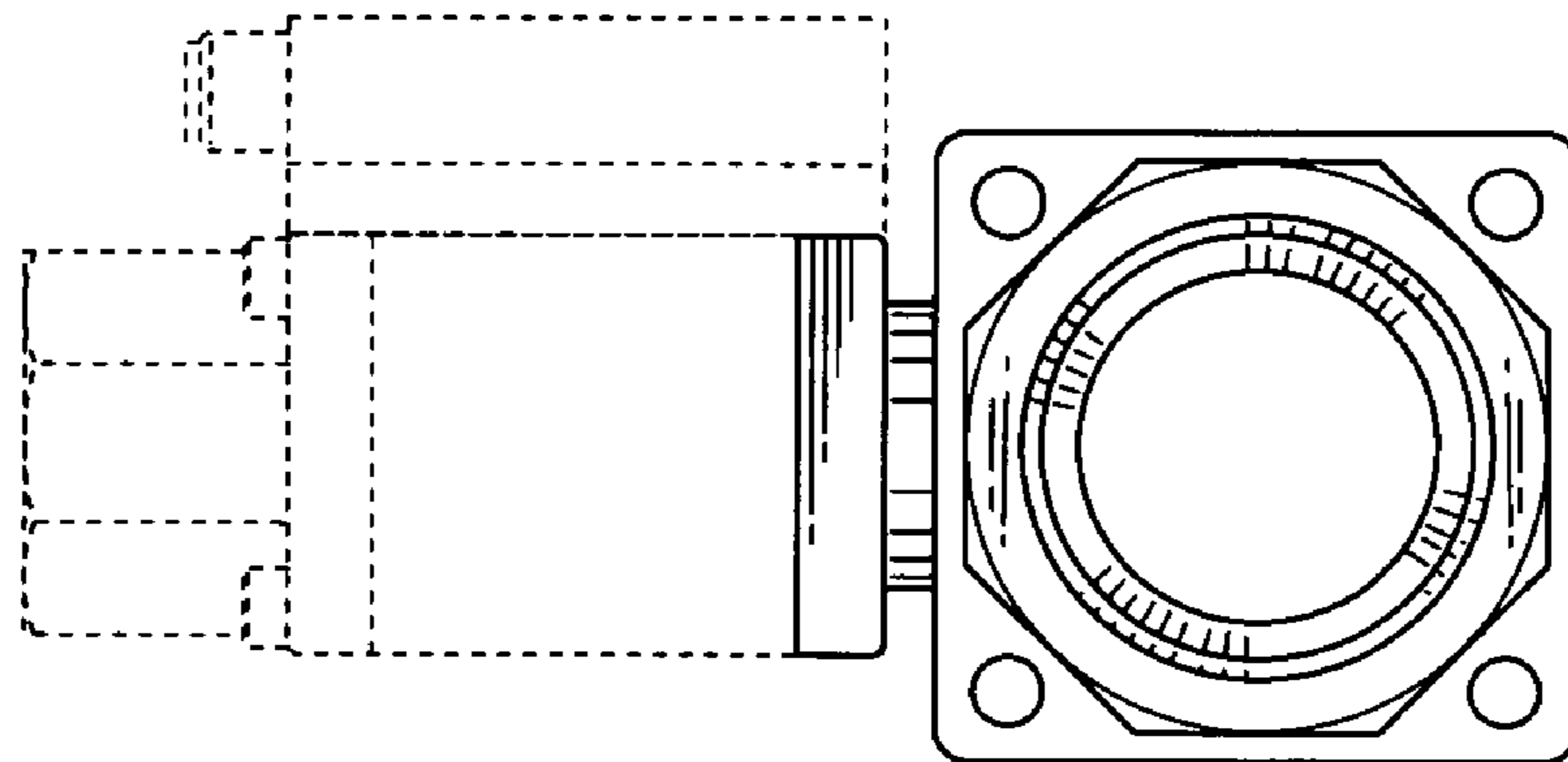


FIG. 5

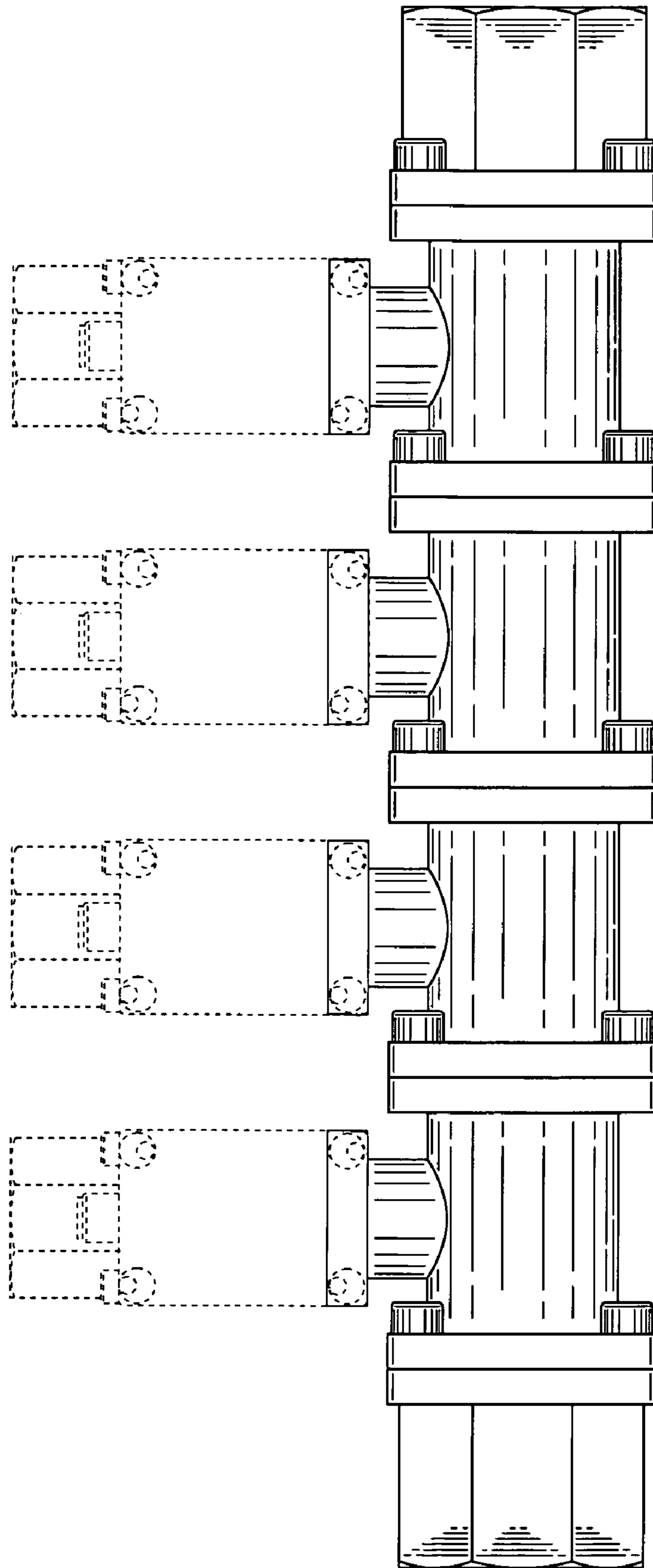


FIG. 6

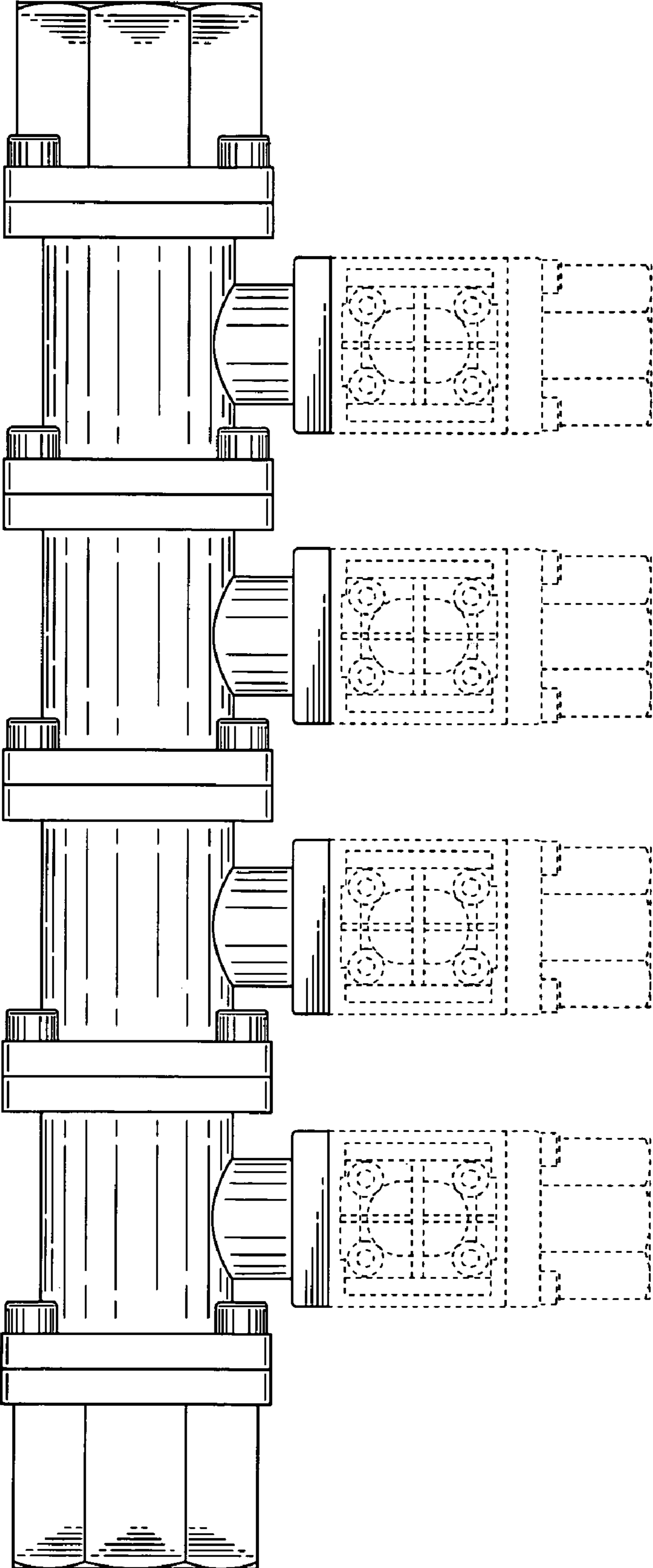


FIG. 7

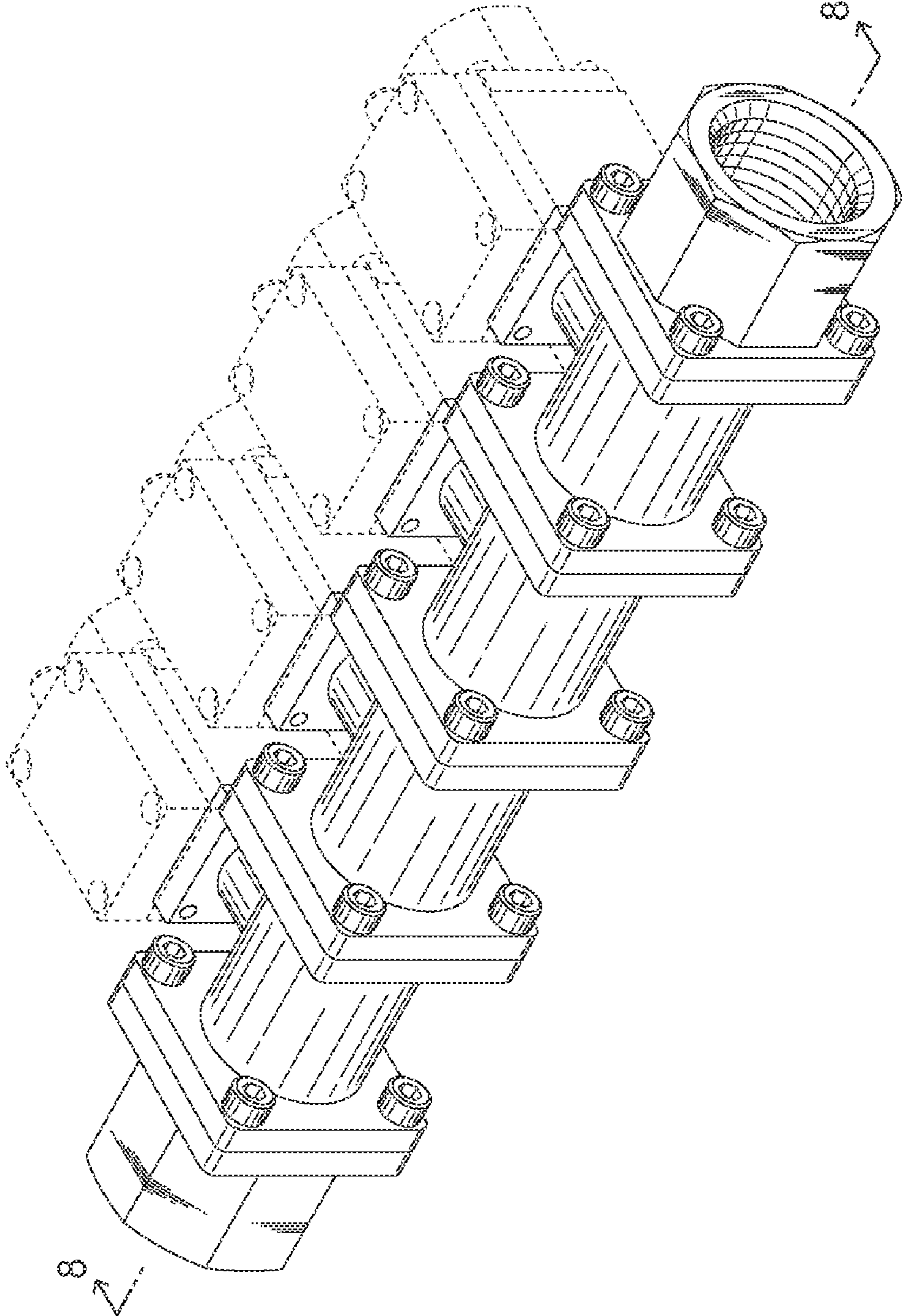


FIG. 8

