



US00D606164S

(12) **United States Design Patent**
Kawakami et al.

(10) **Patent No.:** **US D606,164 S**

(45) **Date of Patent:** **** Dec. 15, 2009**

(54) **FLOW SWITCH**

(75) Inventors: **Hiroshi Kawakami**, Tsukubamirai (JP);
Tsukasa Yamamoto, Tsukubamirai (JP);
Junya Abe, Tsukubamirai (JP)

(73) Assignee: **SMC Corporation**, Chiyoda-Ku, Tokyo
(JP)

(**) Term: **14 Years**

(21) Appl. No.: **29/312,317**

(22) Filed: **Oct. 14, 2008**

(30) **Foreign Application Priority Data**

Apr. 18, 2008 (JP) 2008-010012

(51) **LOC (9) Cl.** **23-01**

(52) **U.S. Cl.** **D23/233**

(58) **Field of Classification Search** D23/233-237,
D23/244-249, 264, 266; 91/1; 92/5 R; 340/606,
340/610, 611; 307/118; 335/205-207; 137/312.1,
137/522, 523, 551, 554; 73/861.44, 861.47,
73/861.62, 745; 200/81.9 R, 81.9 M, 81.4,
200/81.5, 82 E, 83 Q

See application file for complete search history.

(56) **References Cited**

U.S. PATENT DOCUMENTS

D295,972 S * 5/1988 Hughes D13/158

D297,929 S * 10/1988 Hughes D13/158
5,162,624 A * 11/1992 Duksa 200/81.9 M
5,225,641 A * 7/1993 Weld et al. 200/81.9 R
D370,965 S * 6/1996 Pearce D23/266
6,635,836 B1 * 10/2003 Beauchamp 200/81.9 R
6,959,837 B2 * 11/2005 Shermer et al. 222/41

* cited by examiner

Primary Examiner—Cathron C. Brooks

Assistant Examiner—Maurice Stevens

(74) *Attorney, Agent, or Firm*—Yokoi & Co., U.S.A., Inc.;
Peter Ganjian

(57) **CLAIM**

The ornamental design for a flow switch, as shown and described.

DESCRIPTION

FIG. 1 shows a front view of a flow switch showing my new design;

FIG. 2 shows a rear view thereof;

FIG. 3 shows a right side view thereof;

FIG. 4 shows a left side view thereof;

FIG. 5 shows a top view thereof;

FIG. 6 shows a bottom view thereof; and,

FIG. 7 shows a top, front and left side perspective view thereof.

1 Claim, 4 Drawing Sheets

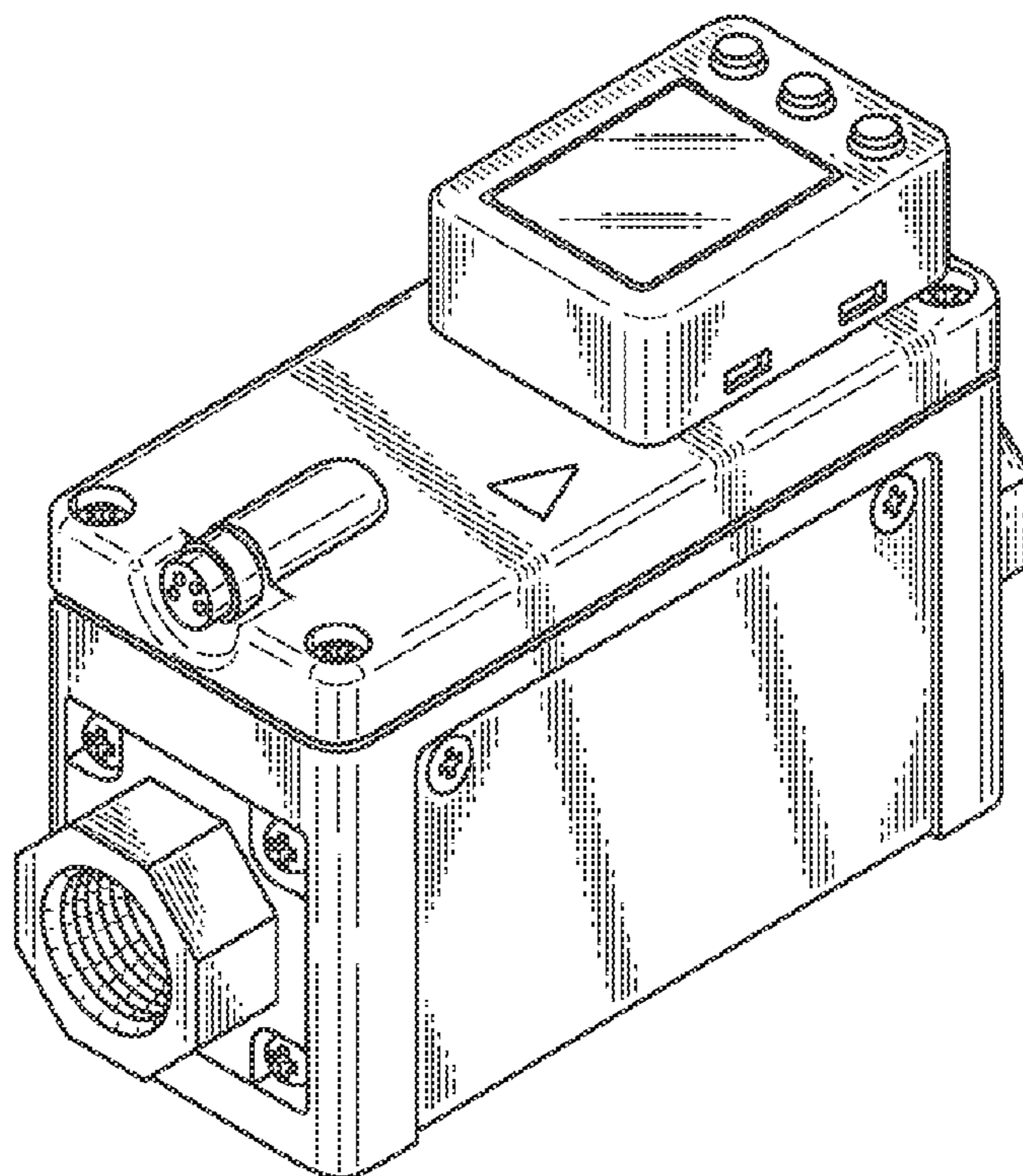


FIG. 1

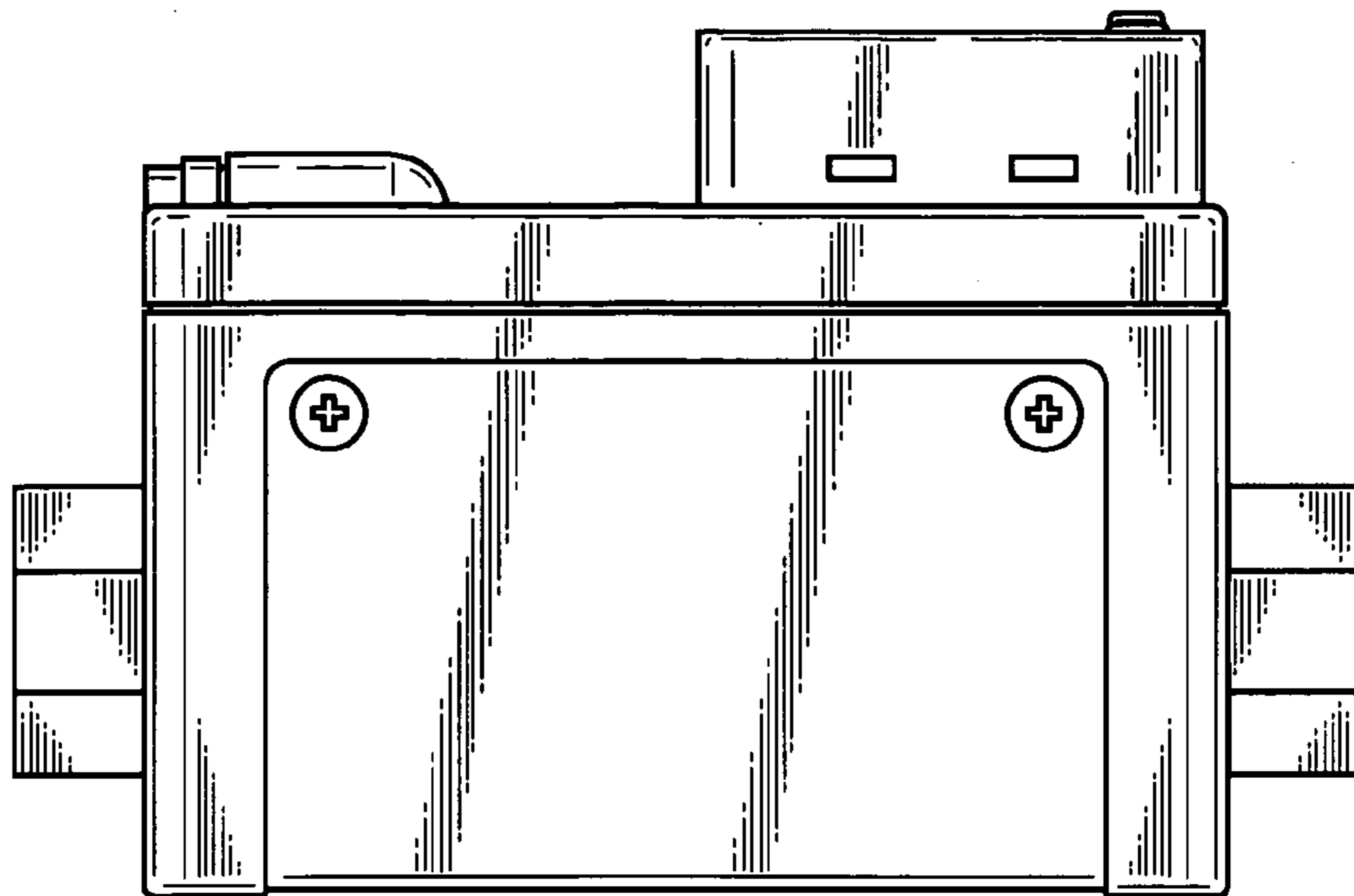


FIG. 2

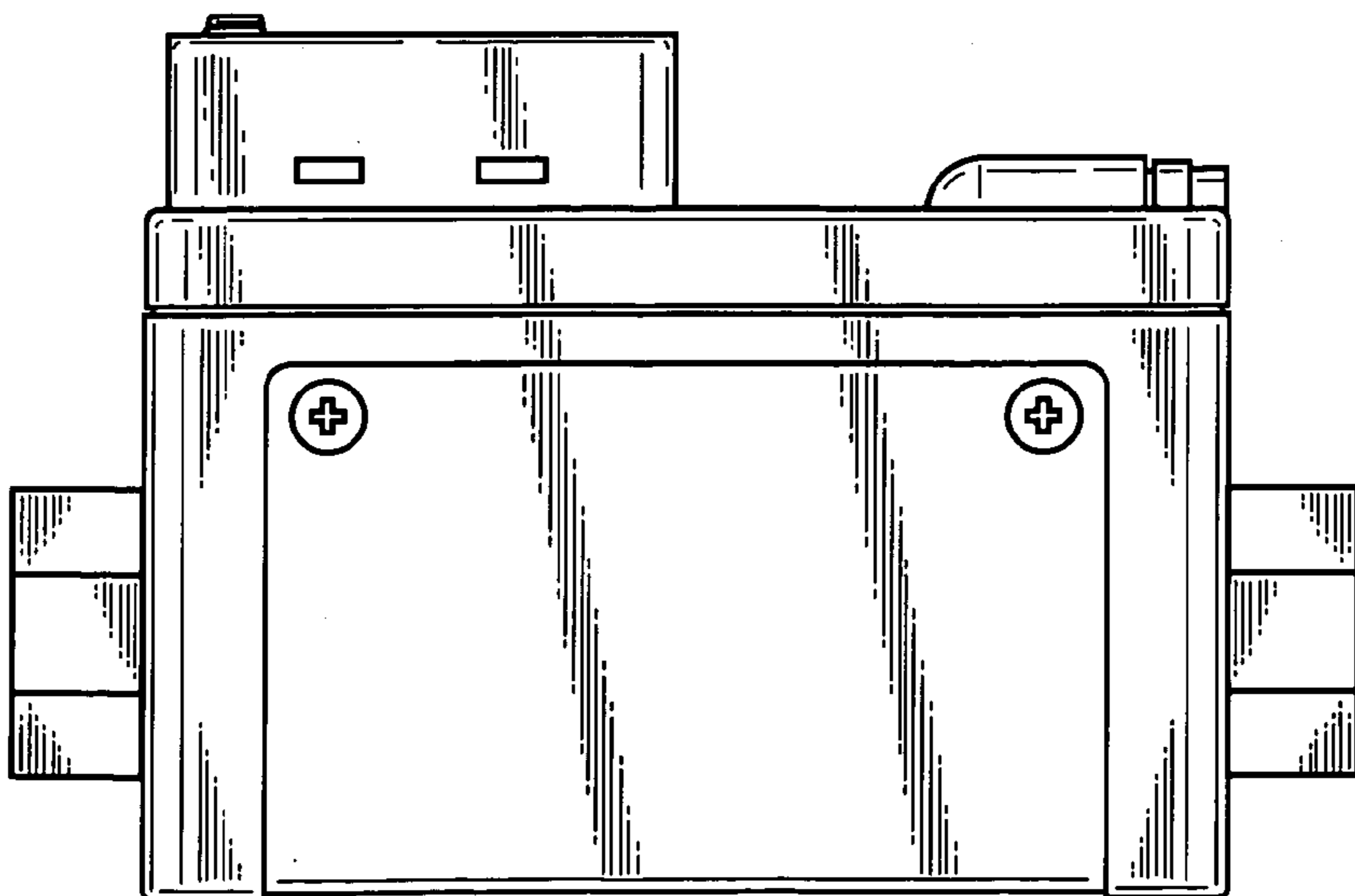


FIG. 3

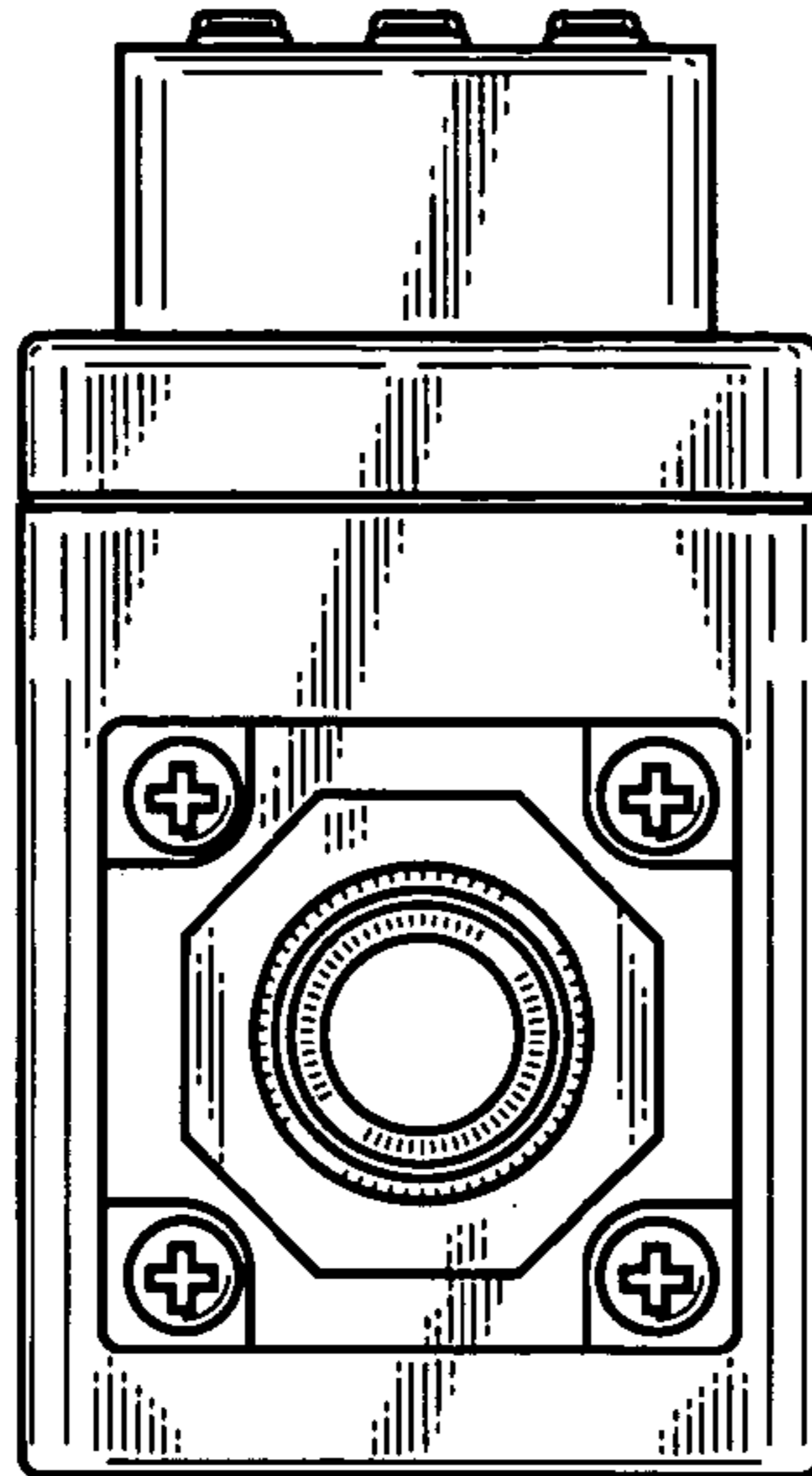


FIG. 4

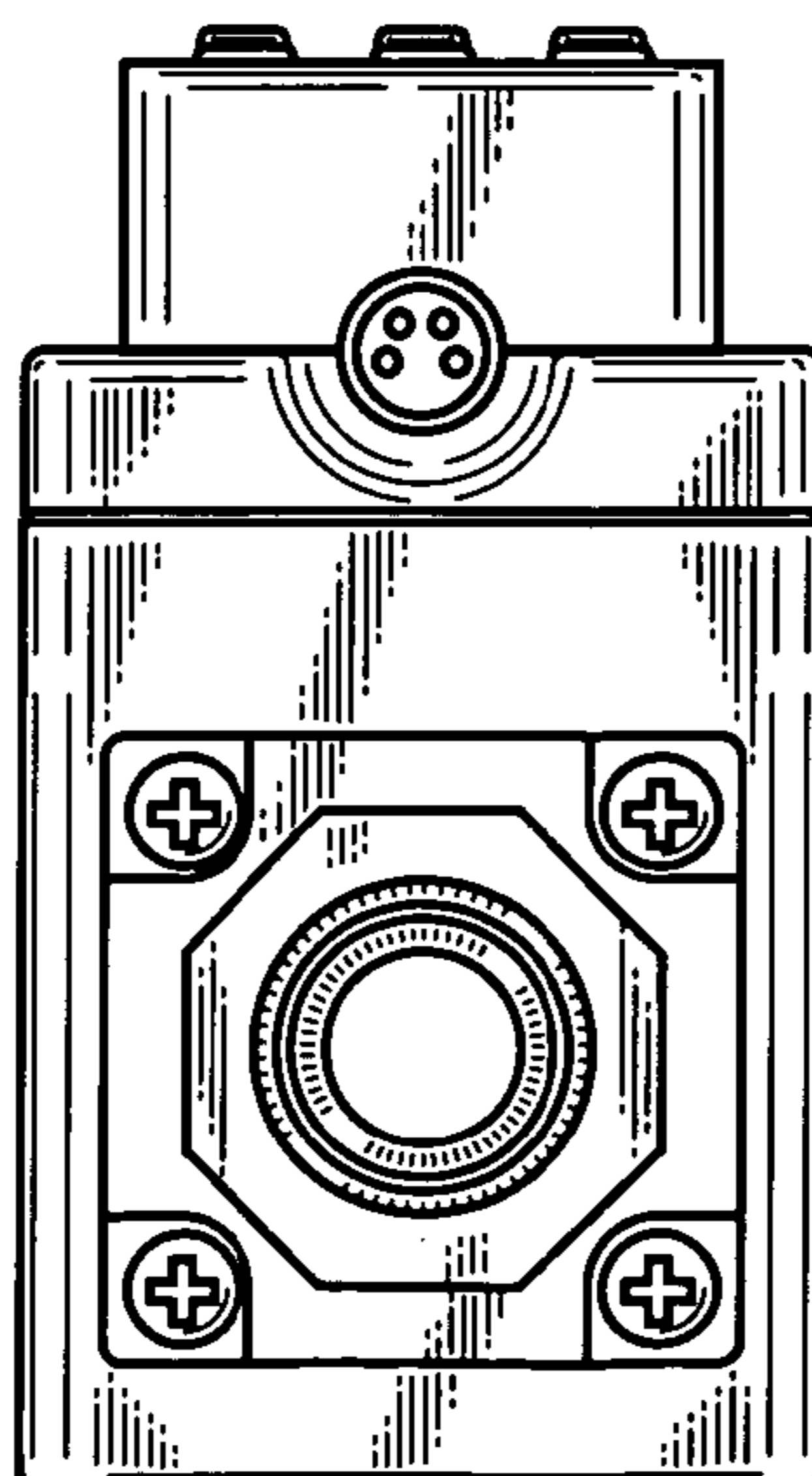


FIG. 5

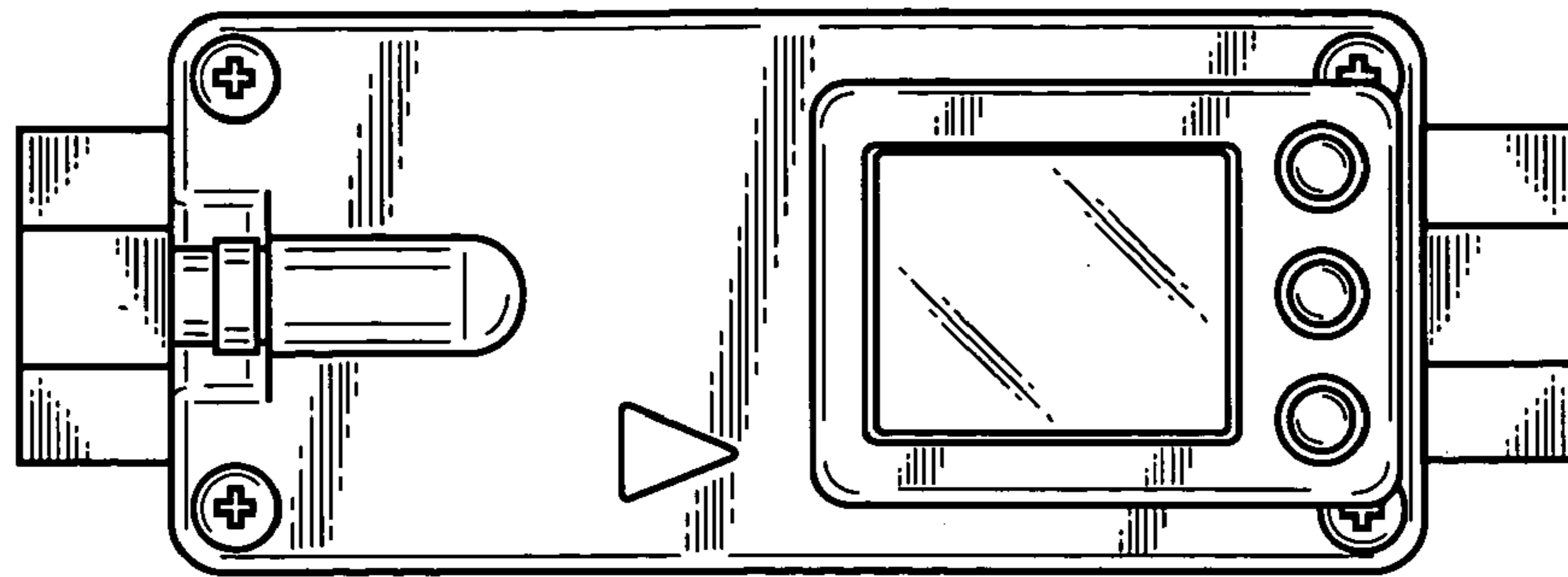


FIG. 6

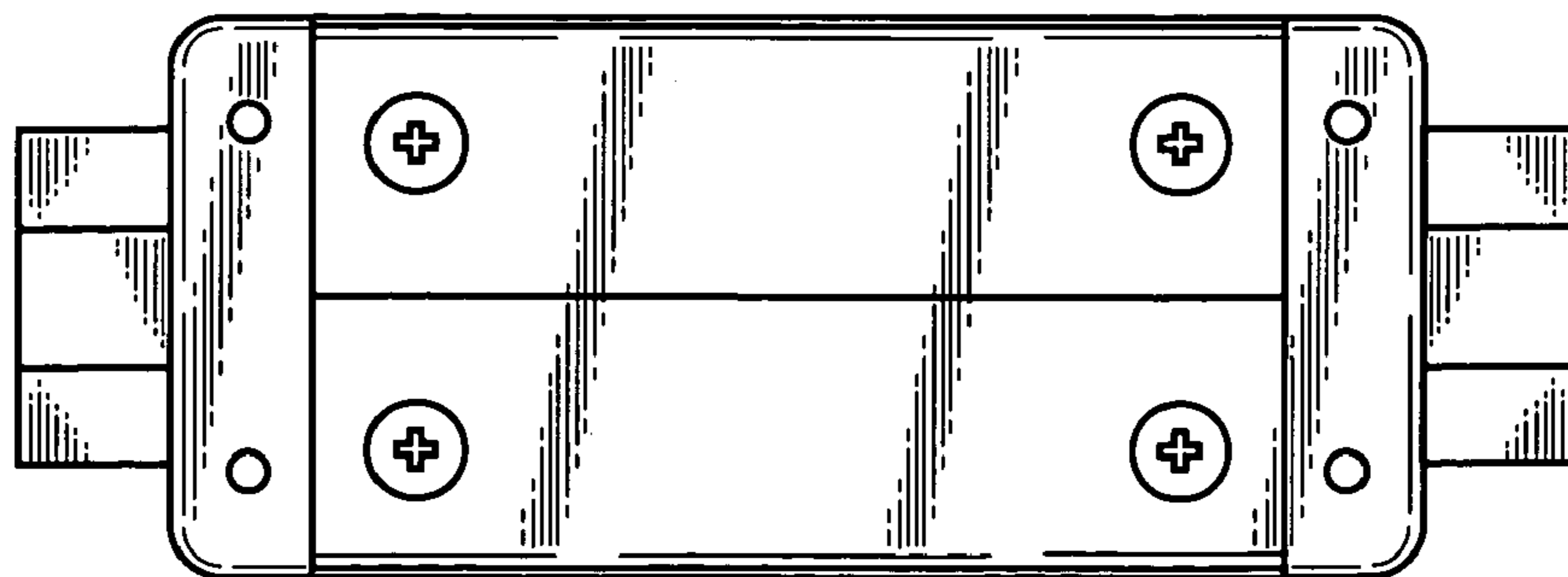


FIG. 7

