



US00D606161S

(12) **United States Design Patent**  
**Ma**

(10) **Patent No.:** **US D606,161 S**

(45) **Date of Patent:** **\*\* Dec. 15, 2009**

(54) **CONTROL UNIT FOR A WATER SOFTENER**

(75) Inventor: **Clint Ma**, Nanjing (CN)

(73) Assignee: **Nanjing Fobrite Environmental Technology Co., Ltd.**, Nanjing (CN)

(\*\*) Term: **14 Years**

(21) Appl. No.: **29/330,654**

(22) Filed: **Jan. 12, 2009**

(51) **LOC (9) Cl.** ..... **23-01**

(52) **U.S. Cl.** ..... **D23/207**

(58) **Field of Classification Search** ..... D23/207,  
D23/209; 210/443–444, 662, 89  
See application file for complete search history.

(56) **References Cited**

U.S. PATENT DOCUMENTS

|           |   |   |         |                     |       |         |
|-----------|---|---|---------|---------------------|-------|---------|
| D205,650  | S | * | 8/1966  | King                | ..... | D23/207 |
| D205,922  | S | * | 10/1966 | Moon                | ..... | D23/207 |
| 4,313,825 | A | * | 2/1982  | Fleckenstein et al. | ..... | 210/89  |
| D318,315  | S | * | 7/1991  | Sanborn             | ..... | D23/209 |
| D328,331  | S | * | 7/1992  | Drager et al.       | ..... | D23/207 |
| D336,051  | S | * | 6/1993  | Drager et al.       | ..... | D10/101 |

\* cited by examiner

Primary Examiner—Robin V Webster

(74) *Attorney, Agent, or Firm*—Fitch, Even, Tabin & Flannery

(57) **CLAIM**

I claim the ornamental design for a control unit for a water softener, as shown and described.

**DESCRIPTION**

FIG. 1 is a perspective view of a control unit in accordance with my new design, the broken lines of the control unit are for illustrative purposes only and form no part of the claimed design;

FIG. 2 is a front elevation view of the control unit of FIG. 1;

FIG. 3 is a rear elevation view of the control unit of FIG. 1;

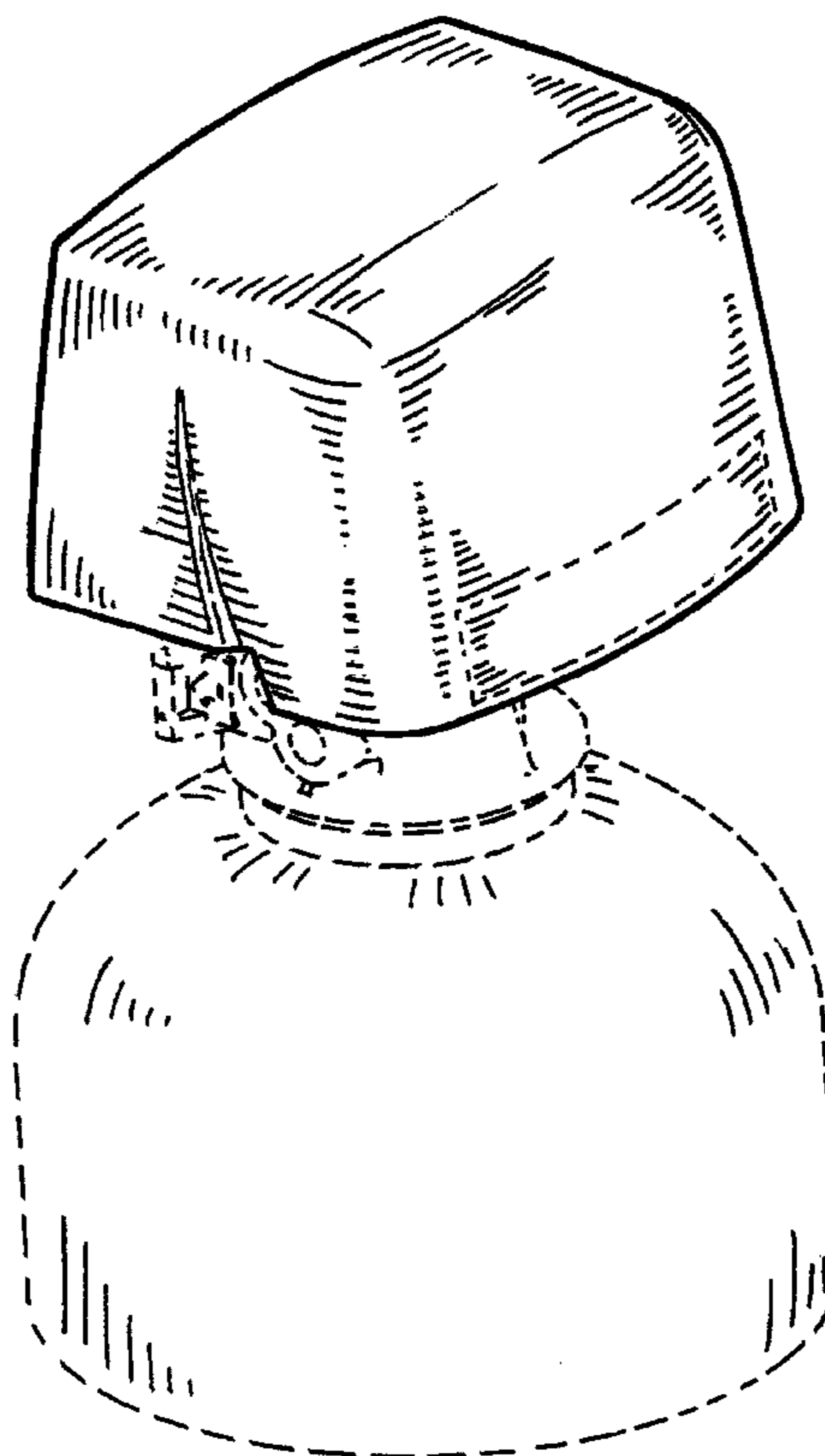
FIG. 4 is a left side elevation view of the control unit of FIG. 1;

FIG. 5 is a right side elevation view of the control unit of FIG. 1;

FIG. 6 is a top view of the control unit of FIG. 1; and,

FIG. 7 is a perspective view of an alternate embodiment of a control unit in accordance with my new design, the broken lines of the control unit are for illustrative purposes only and form no part of the claimed design. This embodiment is similar to the embodiment of FIG. 1 in all respects except that the side portions of the control unit that sweep out and toward the front of the unit are smaller and more curved rather than the wider more square portions depicted in FIGS. 1, 4 and 5.

**1 Claim, 7 Drawing Sheets**



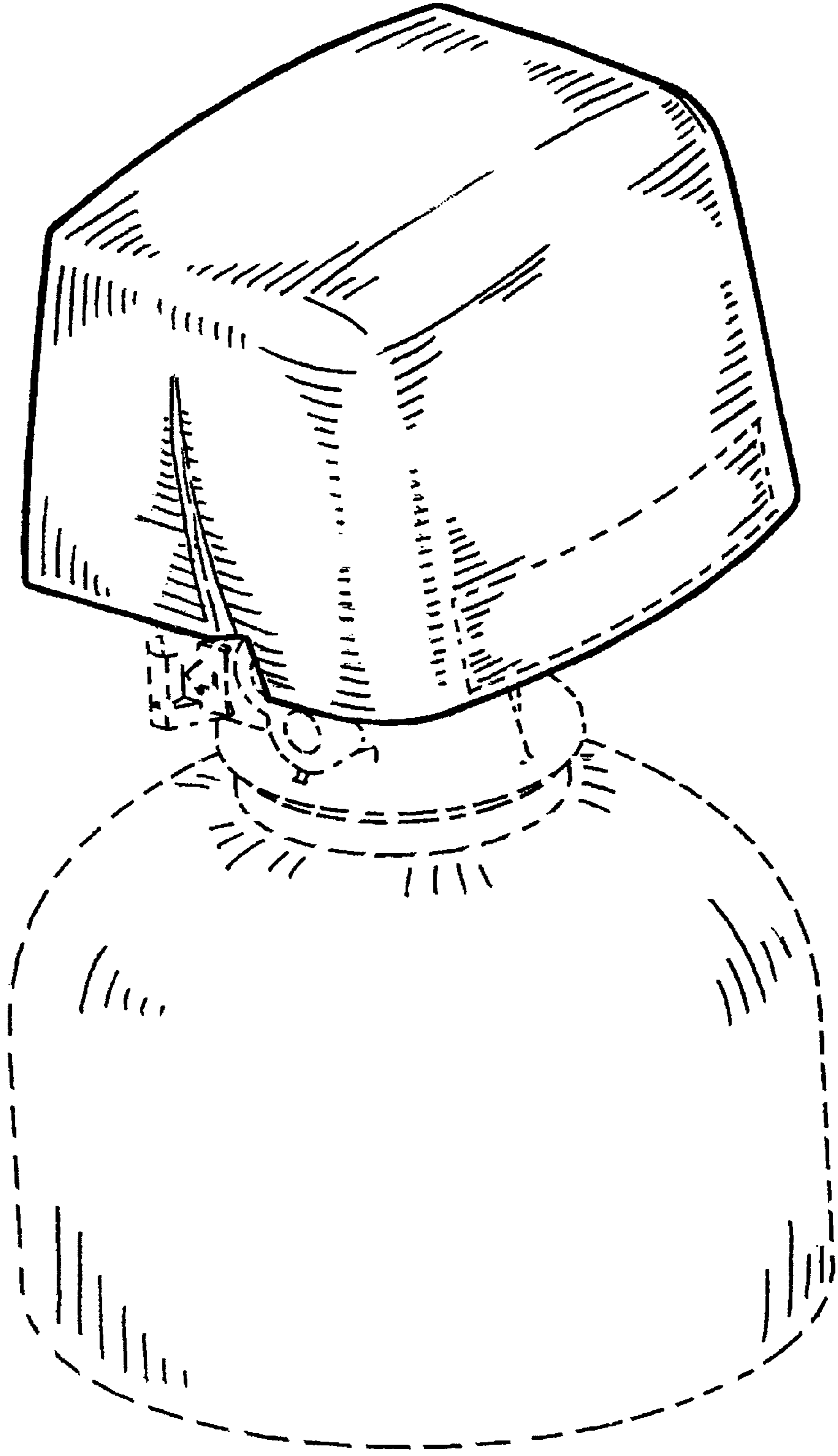


FIG. 1

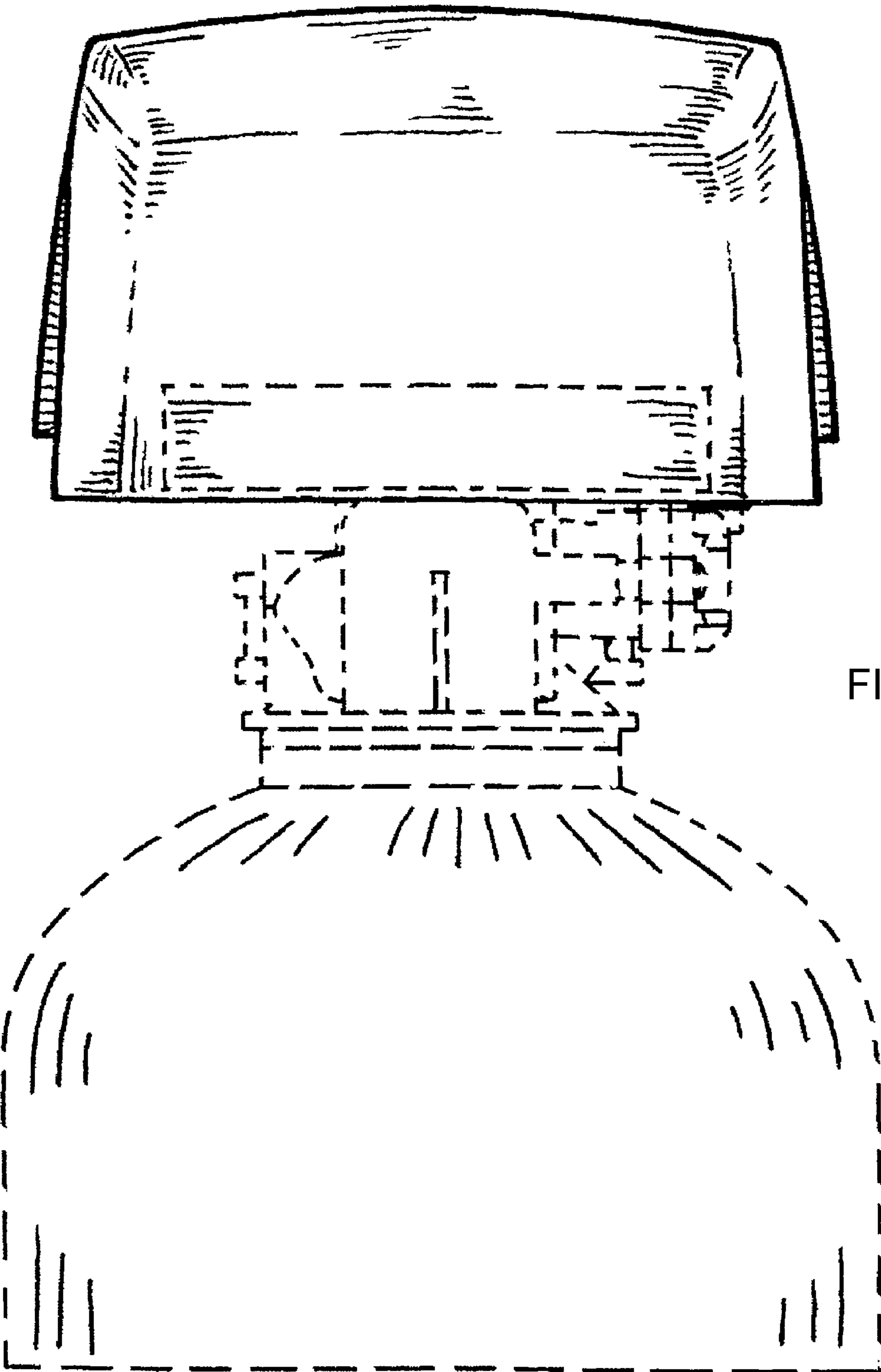


FIG. 2

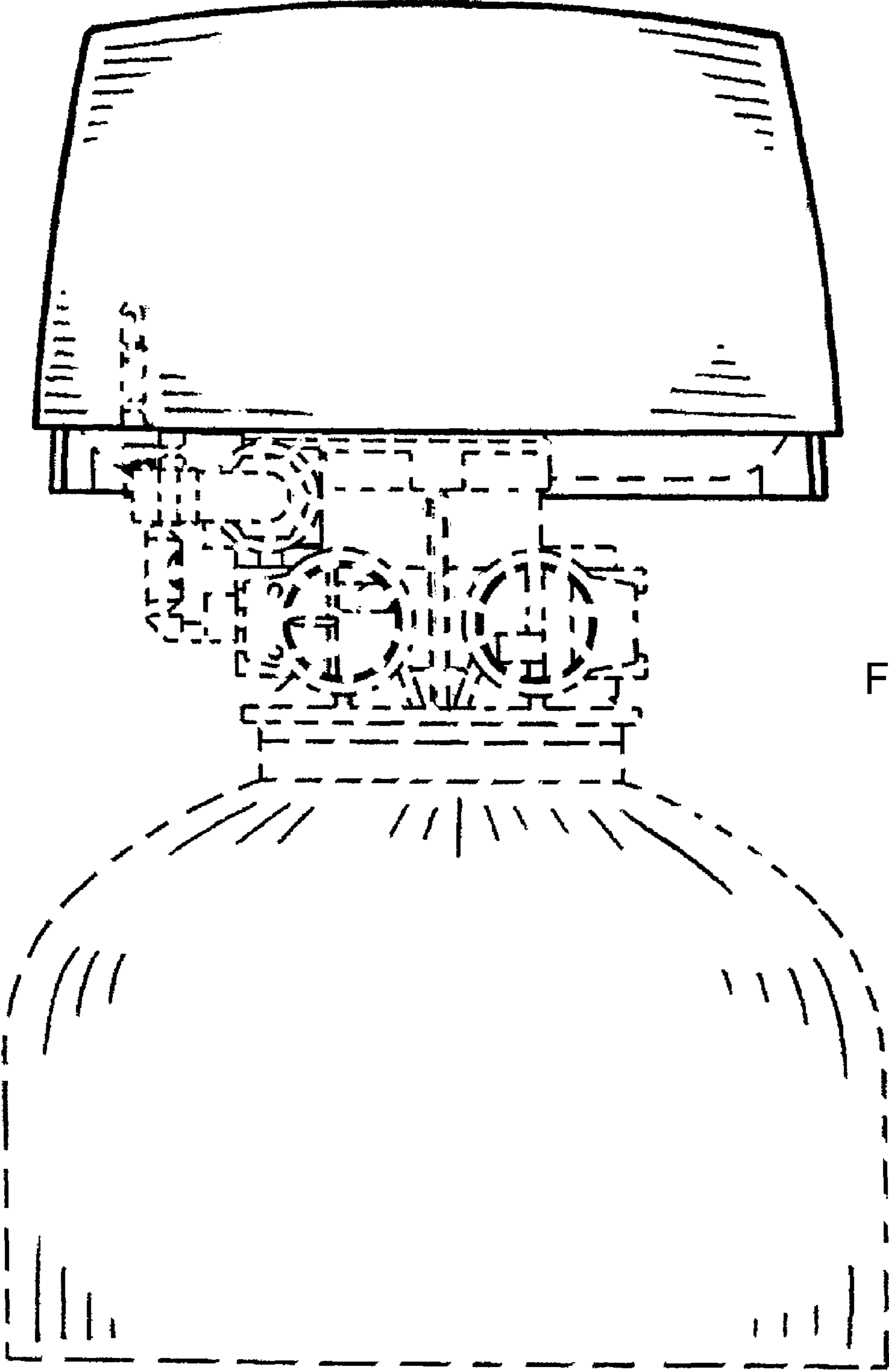


FIG. 3

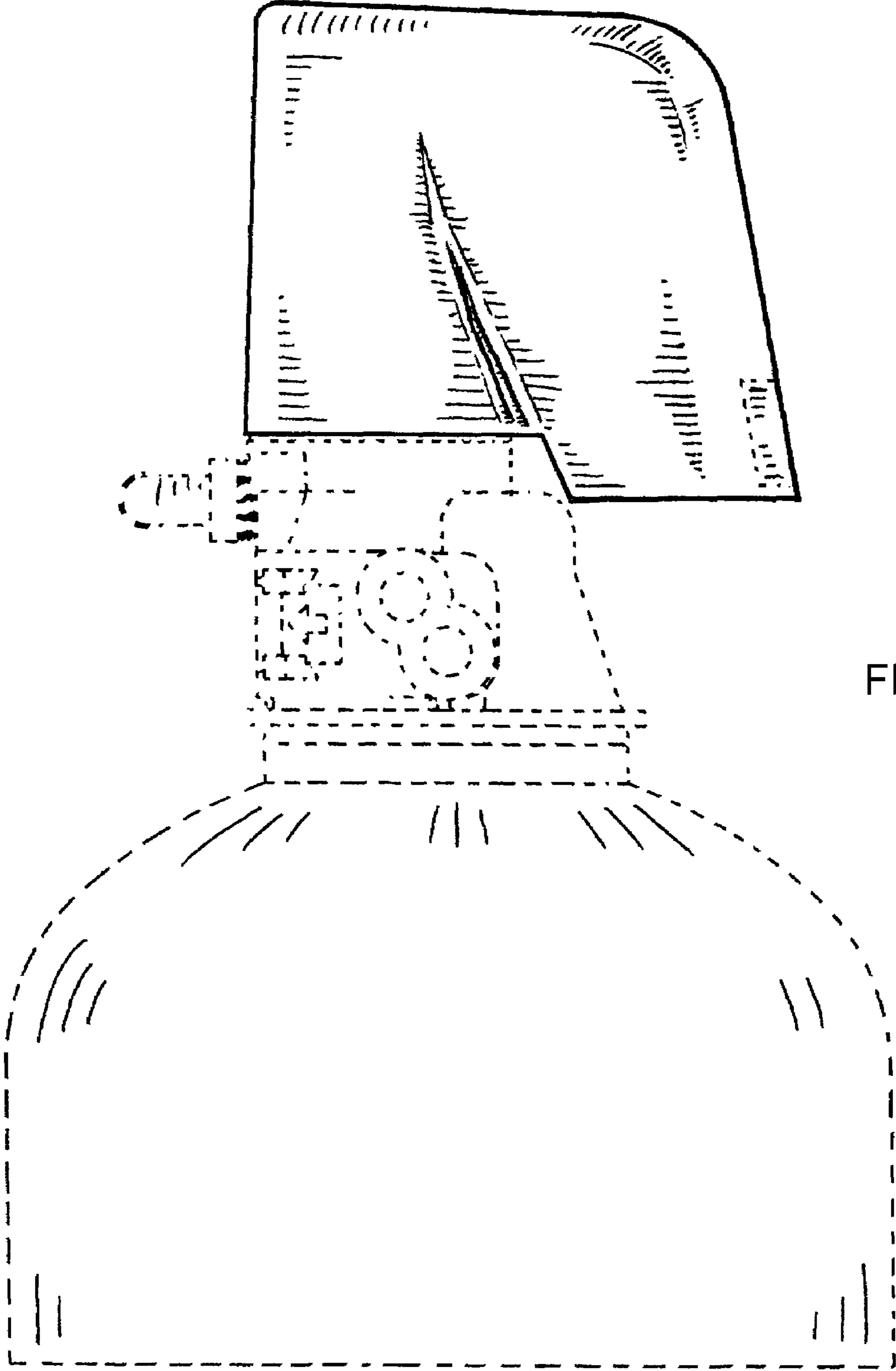


FIG. 4

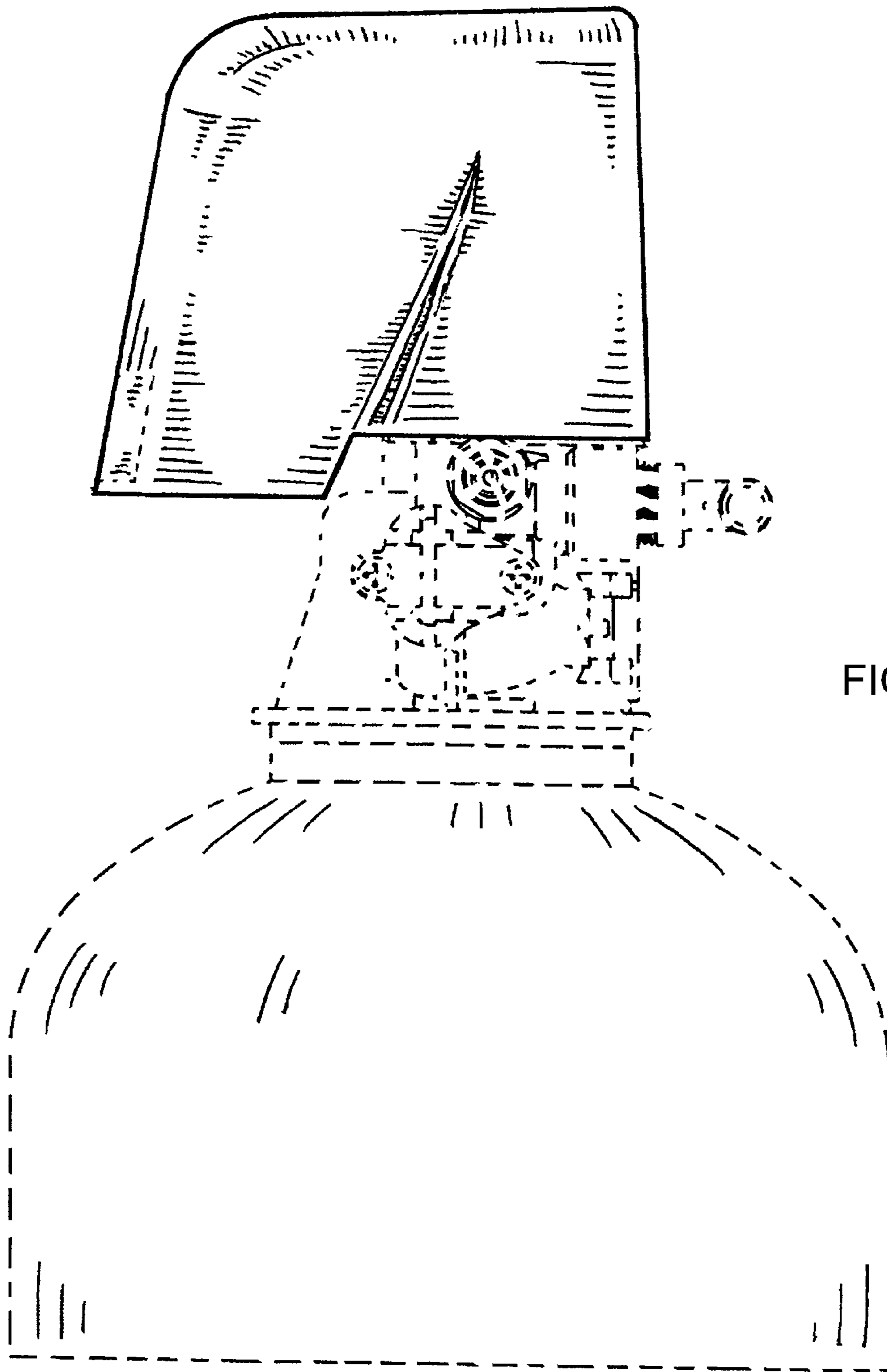


FIG. 5

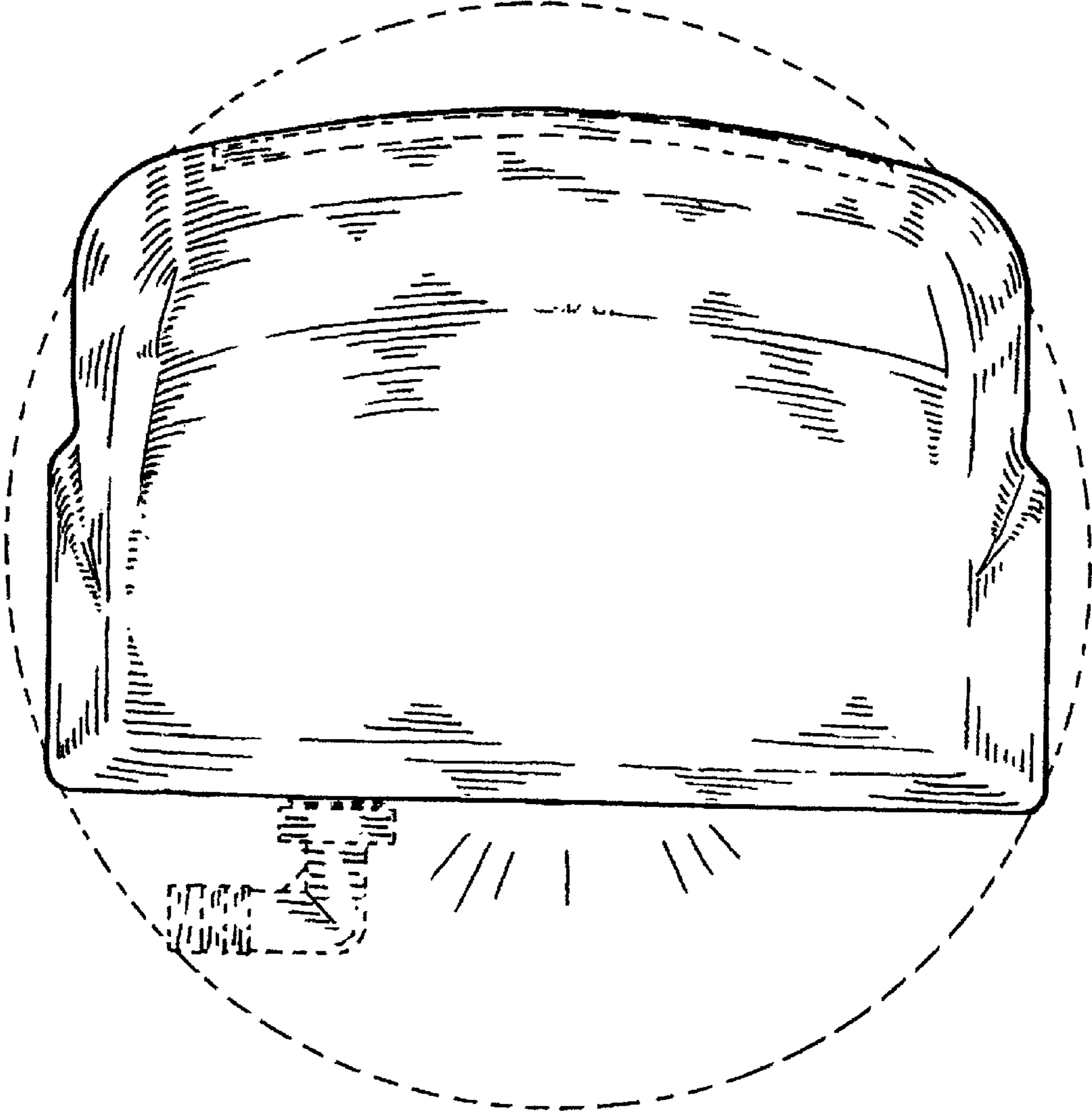


FIG. 6

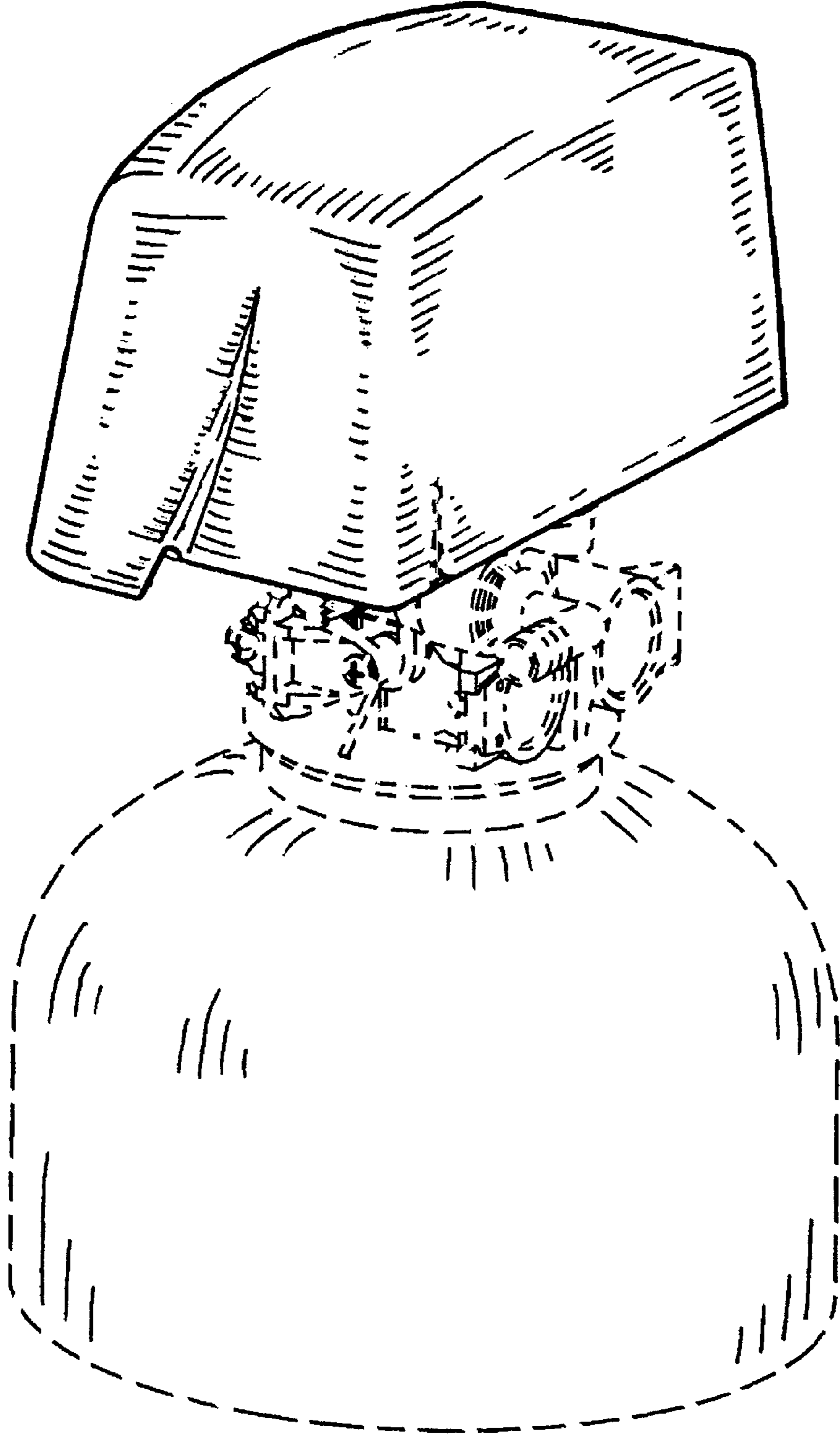


FIG. 7