



US00D606160S

(12) **United States Design Patent**
Wang

(10) **Patent No.:** **US D606,160 S**

(45) **Date of Patent:** **** Dec. 15, 2009**

(54) **FISHING SINKER**

(76) **Inventor:** **Tzu-Wen Wang**, No. 52, San Cheng Rd.,
Chao Chou Chen, Pingtung Hsien (TW)

(**) **Term:** **14 Years**

(21) **Appl. No.:** **29/337,601**

(22) **Filed:** **May 27, 2009**

(51) **LOC (9) Cl.** **22-05**

(52) **U.S. Cl.** **D22/145**

(58) **Field of Classification Search** D22/145,
D22/144, 146, 134, 199; 43/44.87, 44.92,
43/44.93, 44.94, 44.95, 44.8, 44.9, 44.82,
43/17.5

See application file for complete search history.

(56) **References Cited**

U.S. PATENT DOCUMENTS

2,841,916 A * 7/1958 Ueda 43/44.96
5,052,145 A * 10/1991 Wang 43/17.5

D401,998 S * 12/1998 Lee D22/145
D441,046 S * 4/2001 Viano D22/145
D496,982 S * 10/2004 Jeffers D22/145

* cited by examiner

Primary Examiner—Catherine R Oliver
(74) *Attorney, Agent, or Firm*—Leong C. Lei

(57) **CLAIM**

The ornamental design for a fishing sinker, as shown and described.

DESCRIPTION

FIG. 1 is a perspective view of a fishing sinker showing my new design;

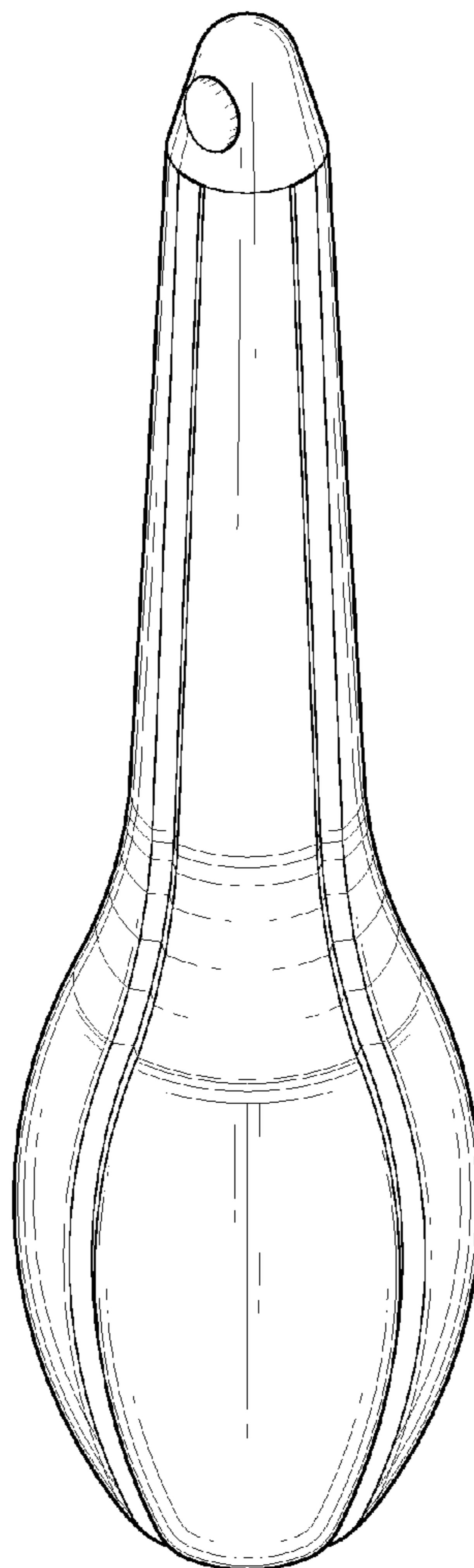
FIG. 2 is a front elevational view thereof;

FIG. 3 is a rear elevational view thereof;

FIG. 4 is a top elevational view thereof; and,

FIG. 5 is a bottom elevational view thereof.

1 Claim, 3 Drawing Sheets



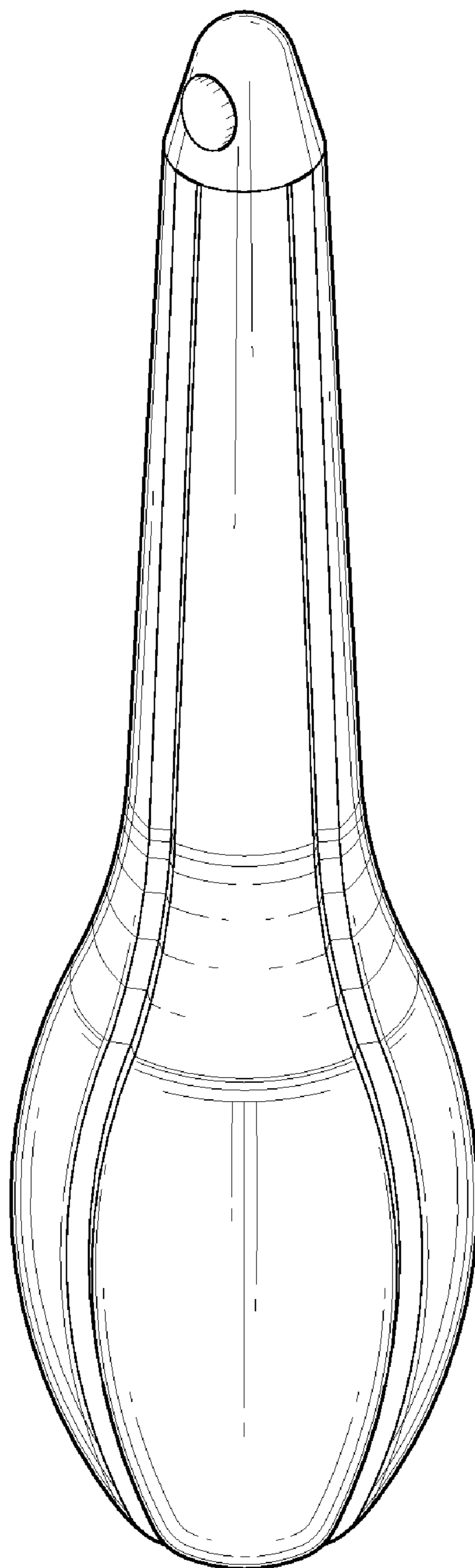


FIG.1

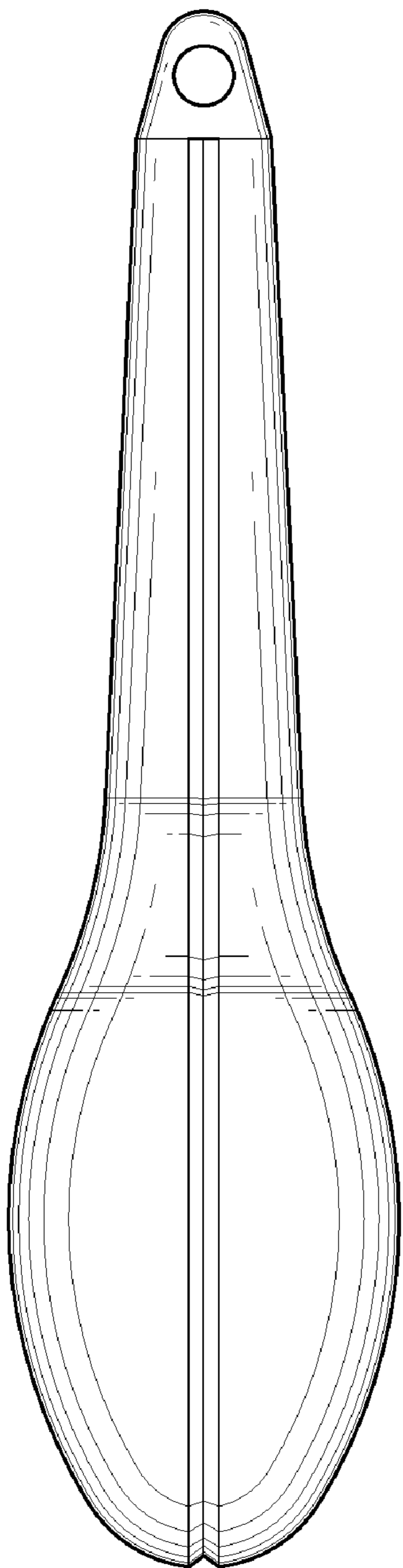


FIG. 2

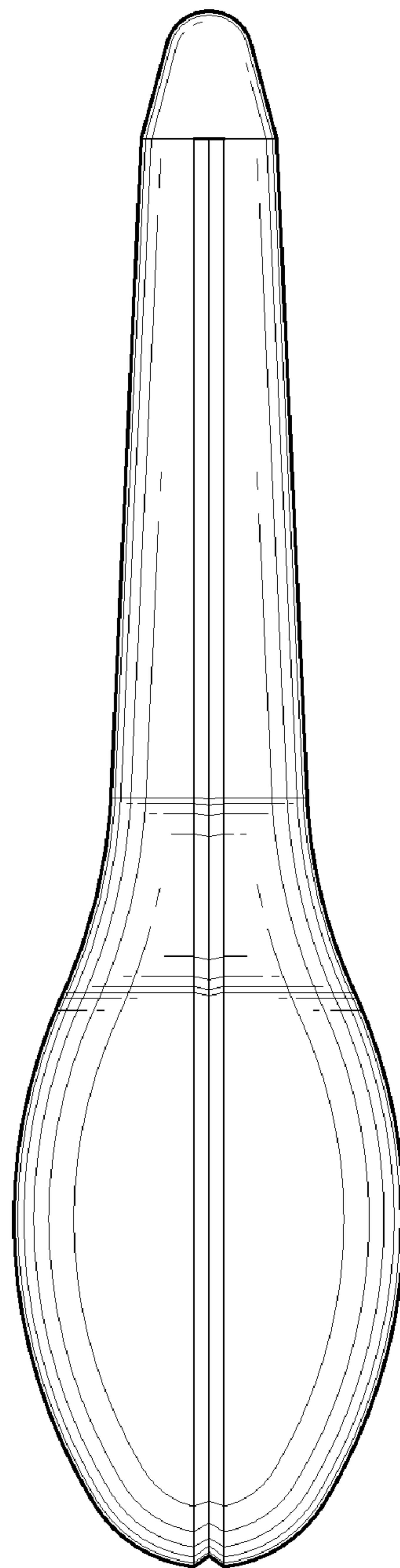


FIG. 3

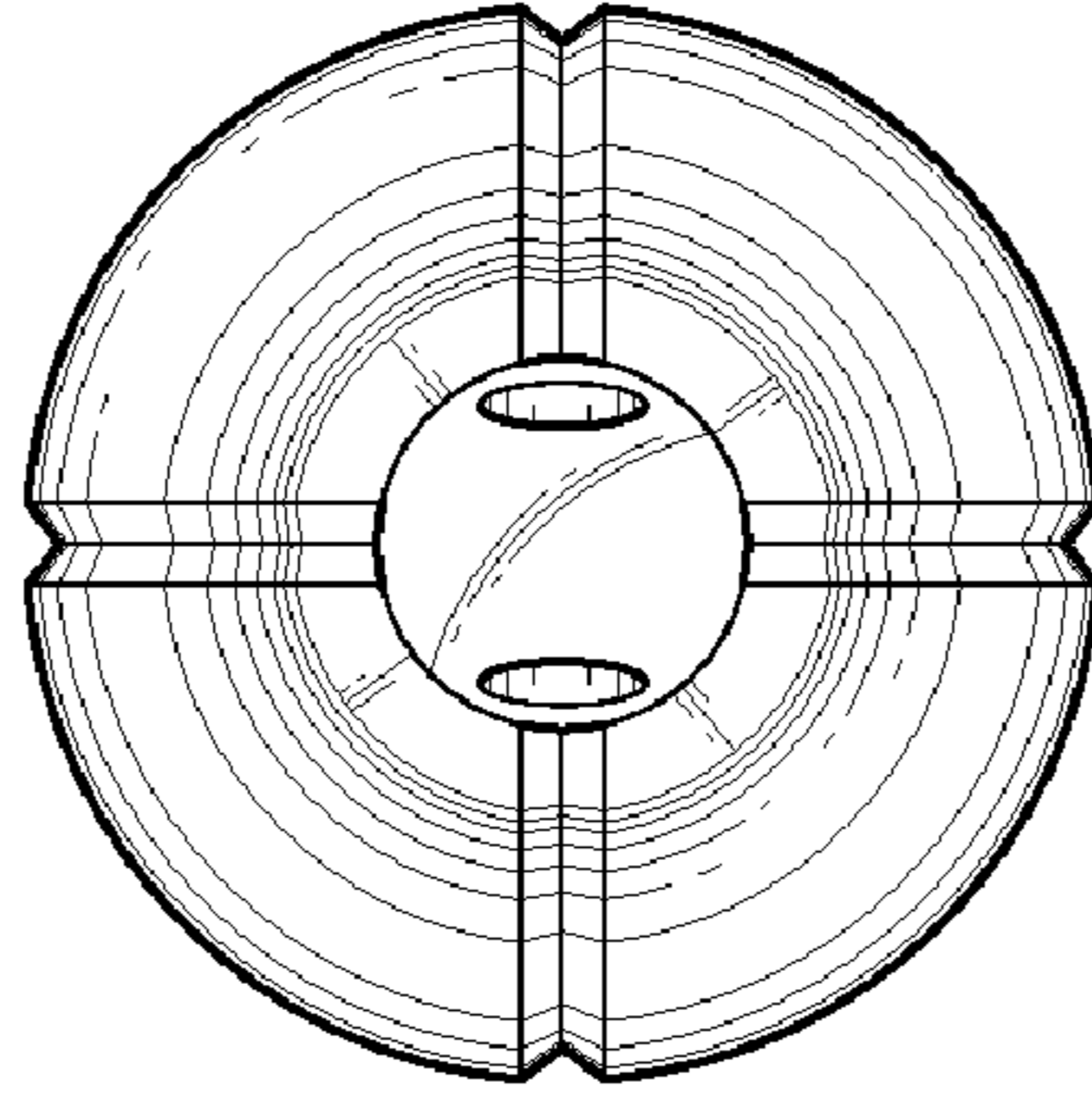


FIG. 4

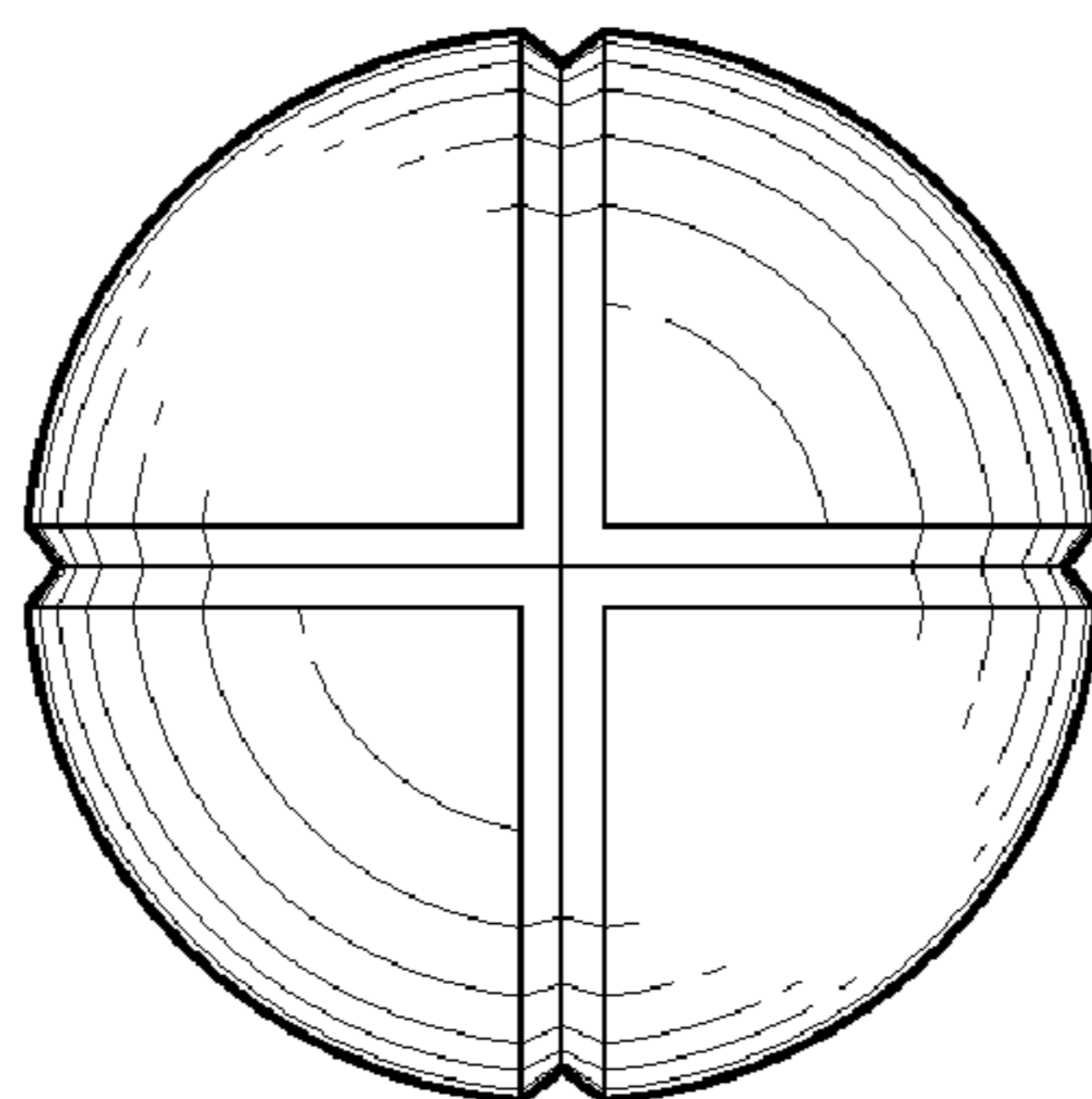


FIG. 5