



US00D606157S

(12) **United States Design Patent**  
**Swan**

(10) **Patent No.:** **US D606,157 S**  
(45) **Date of Patent:** **\*\* Dec. 15, 2009**

(54) **WEAPON LIGHT BODY**

(76) Inventor: **Richard E. Swan**, 171 West St., E.  
Bridgewater, MA (US) 02333

(\*\*) Term: **14 Years**

(21) Appl. No.: **29/330,759**

(22) Filed: **Jan. 14, 2009**

(51) **LOC (9) Cl.** ..... **22-01**

(52) **U.S. Cl.** ..... **D22/108**

(58) **Field of Classification Search** ..... D22/100,  
D22/108, 199; D26/38, 46, 49; 362/157,  
362/158, 183, 184, 190, 194, 195, 196, 197,  
362/202–208

See application file for complete search history.

(56) **References Cited**

**U.S. PATENT DOCUMENTS**

1,644,125	A *	10/1927	De Witt	.....	362/196
D191,991	S *	12/1961	Bessler	.....	D26/48
3,030,497	A *	4/1962	Cheng	.....	362/184
D396,313	S *	7/1998	Dalton et al.	.....	D26/46
D585,516	S *	1/2009	Smith	.....	D22/108
2002/0097576	A1 *	7/2002	Sharrah et al.	.....	362/194
2004/0120142	A1 *	6/2004	Galli	.....	362/191

\* cited by examiner

*Primary Examiner*—T. Chase Nelson

*Assistant Examiner*—Michael A Pratt

(74) *Attorney, Agent, or Firm*—Barlow, Josephs & Holmes,  
Ltd.

(57) **CLAIM**

The ornamental design for a weapon light body, as shown and described.

**DESCRIPTION**

FIG. 1 is a perspective view of the weapon light body in accordance with the present invention;

FIG. 2 is a right side view thereof;

FIG. 3 is a left side view thereof;

FIG. 4 is a top view thereof;

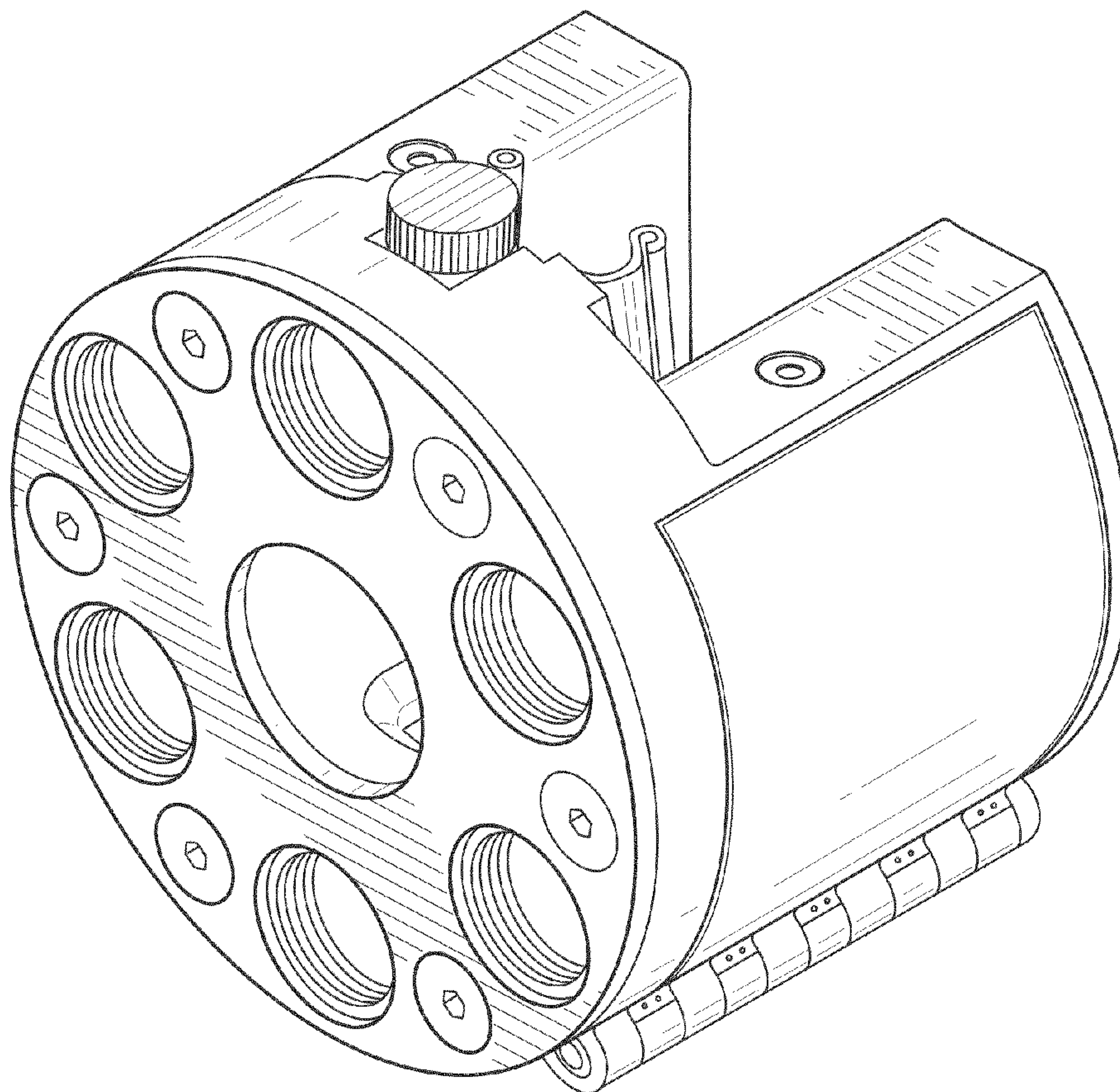
FIG. 5 is a bottom view thereof;

FIG. 6 is a front view thereof; and,

FIG. 7 is a rear view thereof.

The broken line showing the interior structure of FIG. 7 is included for the purpose of illustrating environment and forms no part of the claimed design.

**1 Claim, 7 Drawing Sheets**



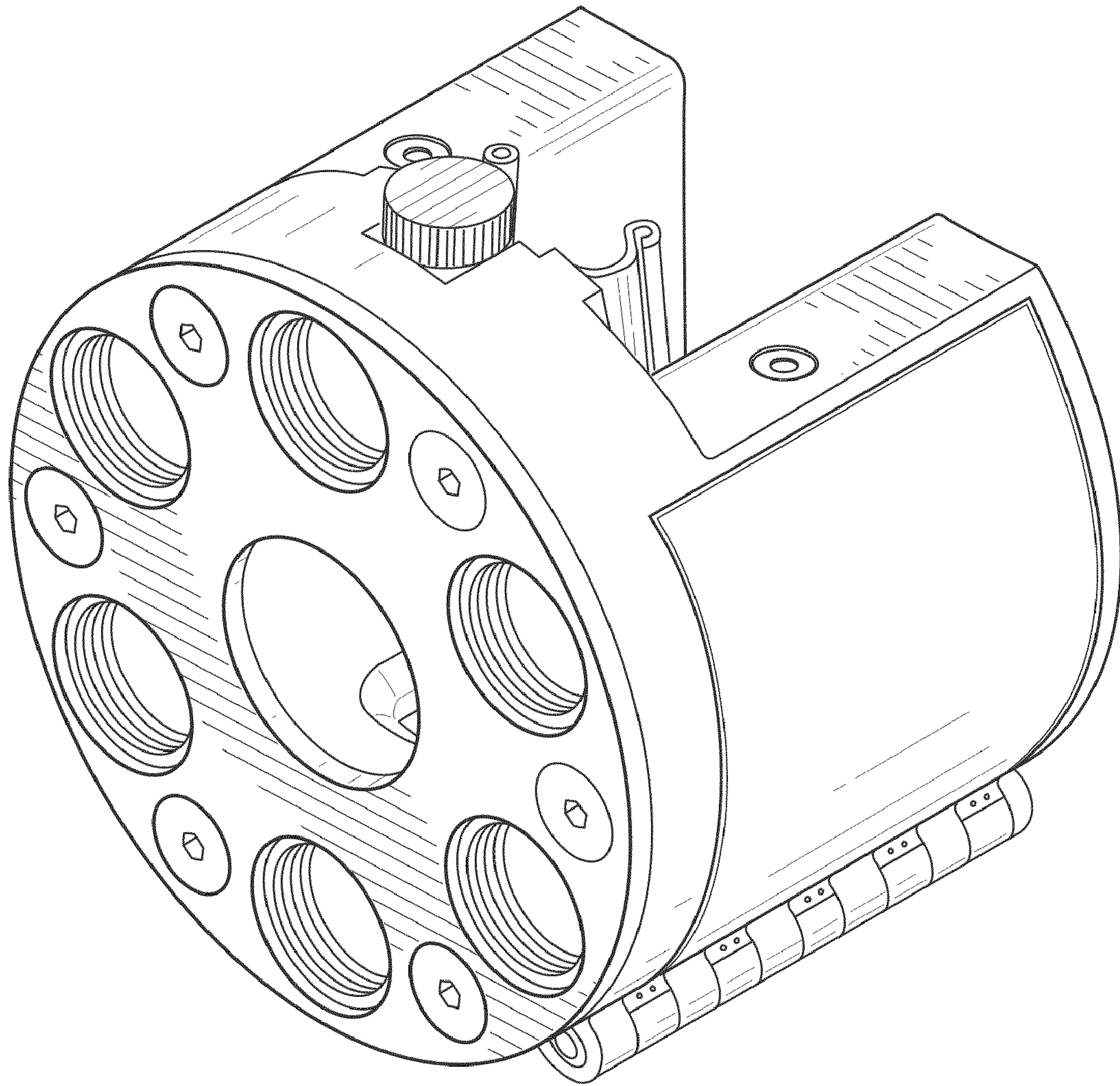
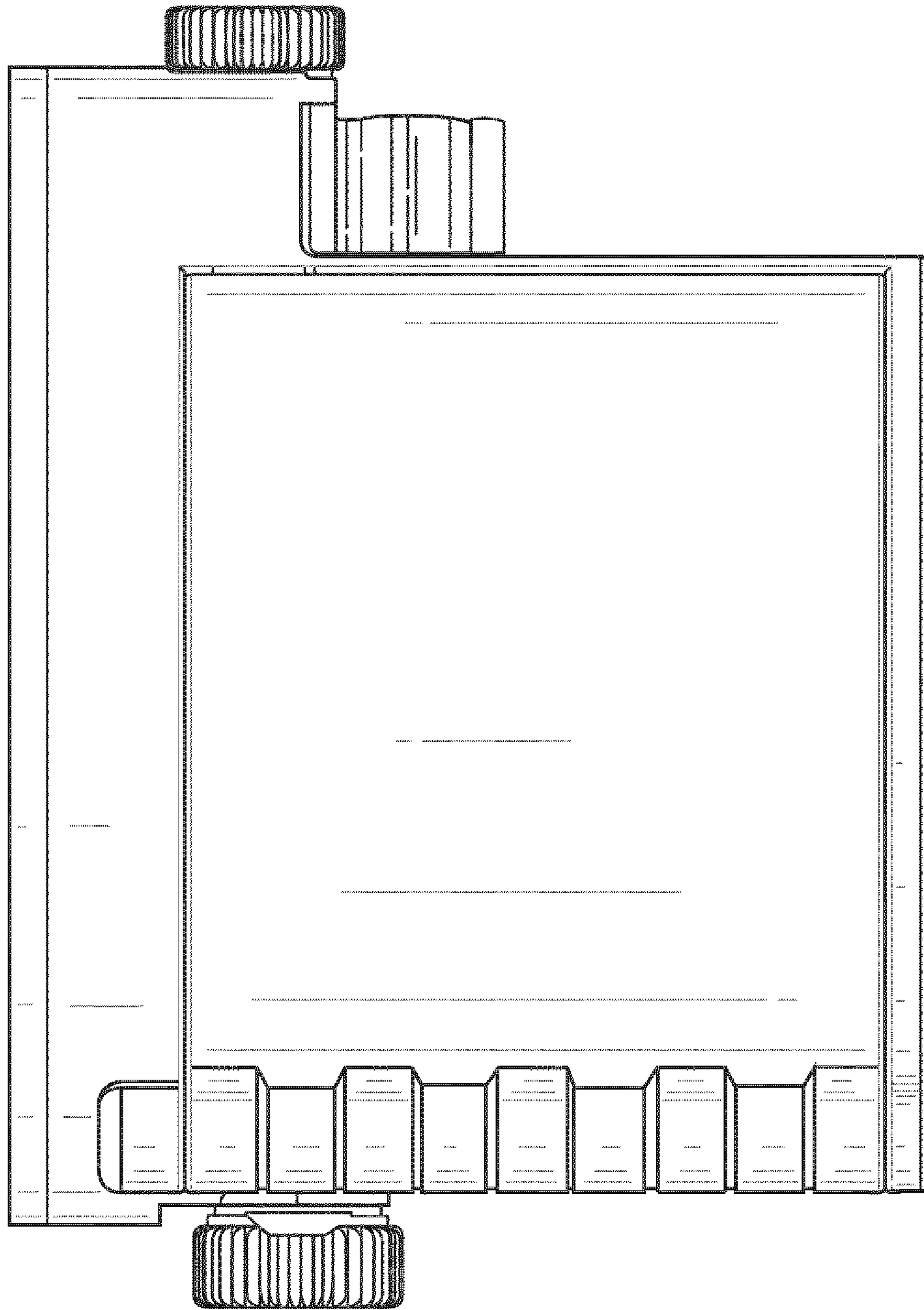
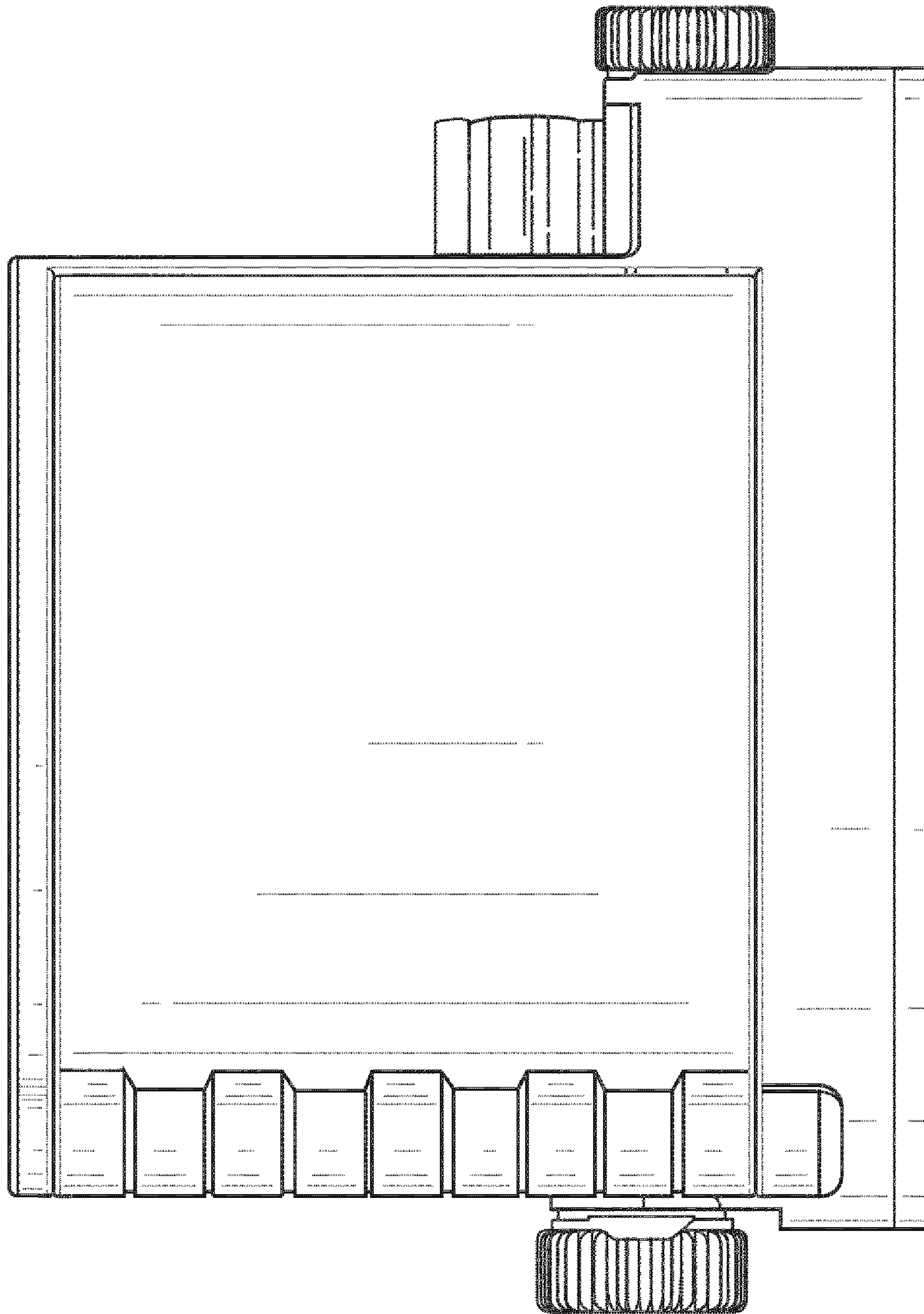


FIG. 1

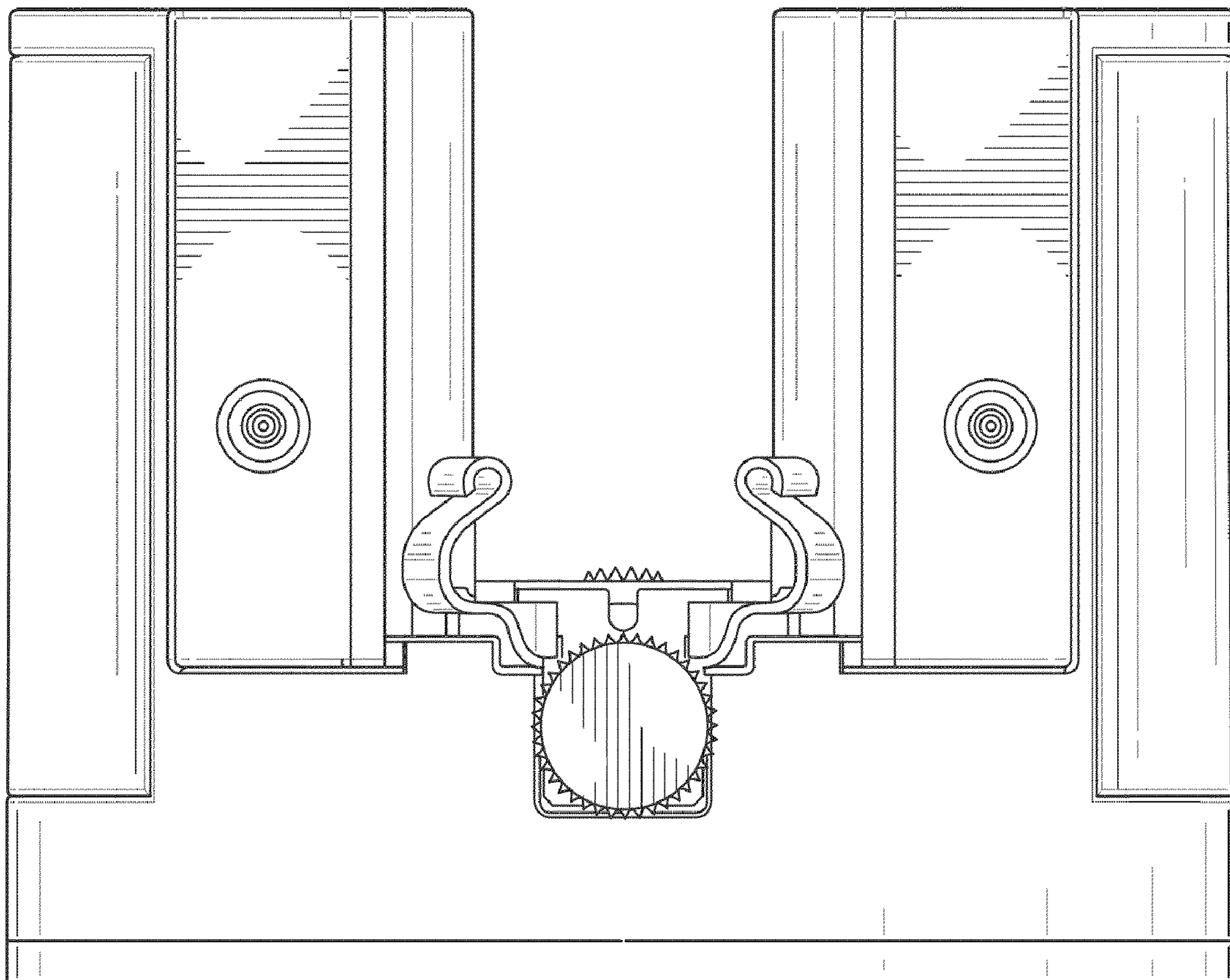




**FIG. 2**

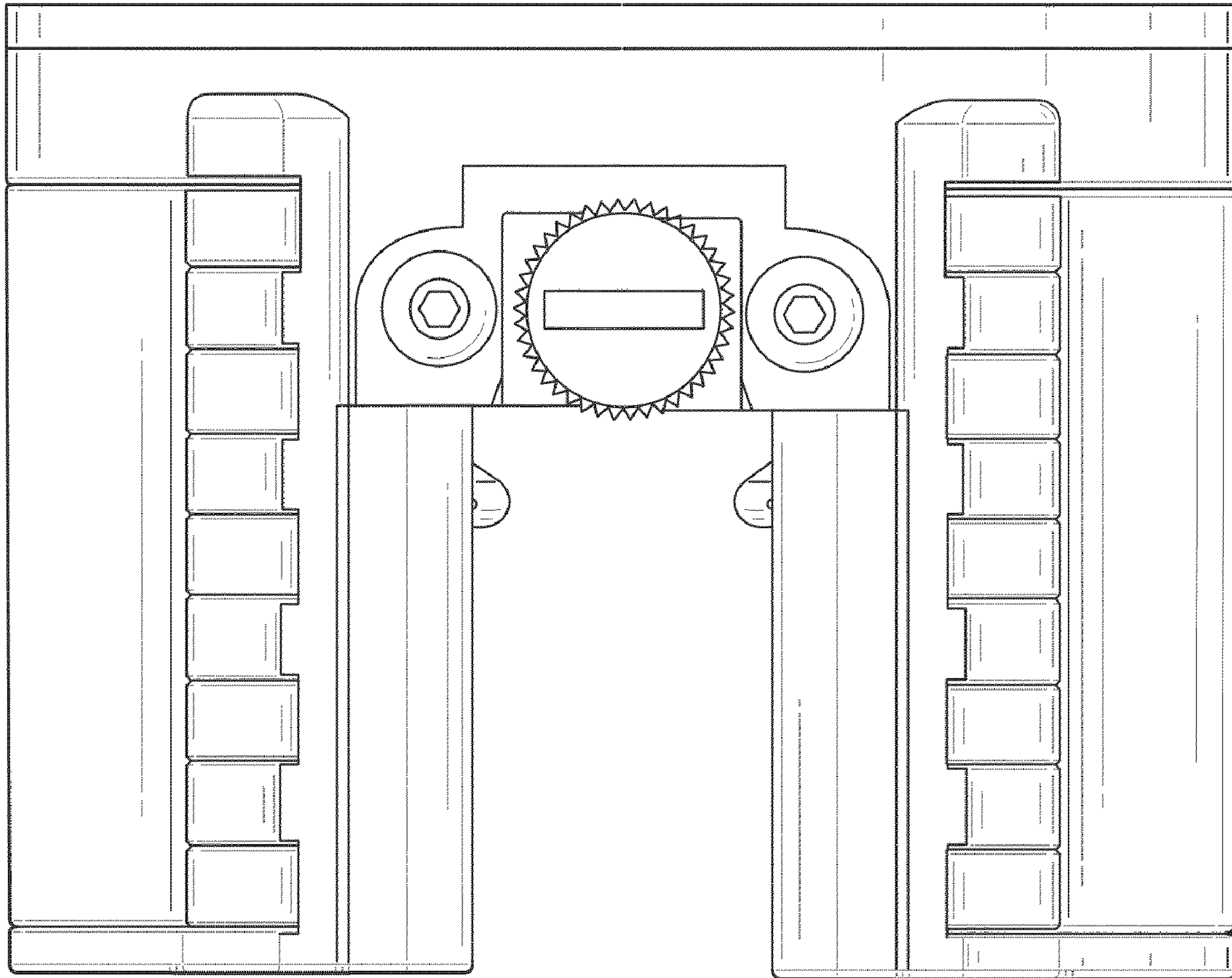


**FIG. 3**

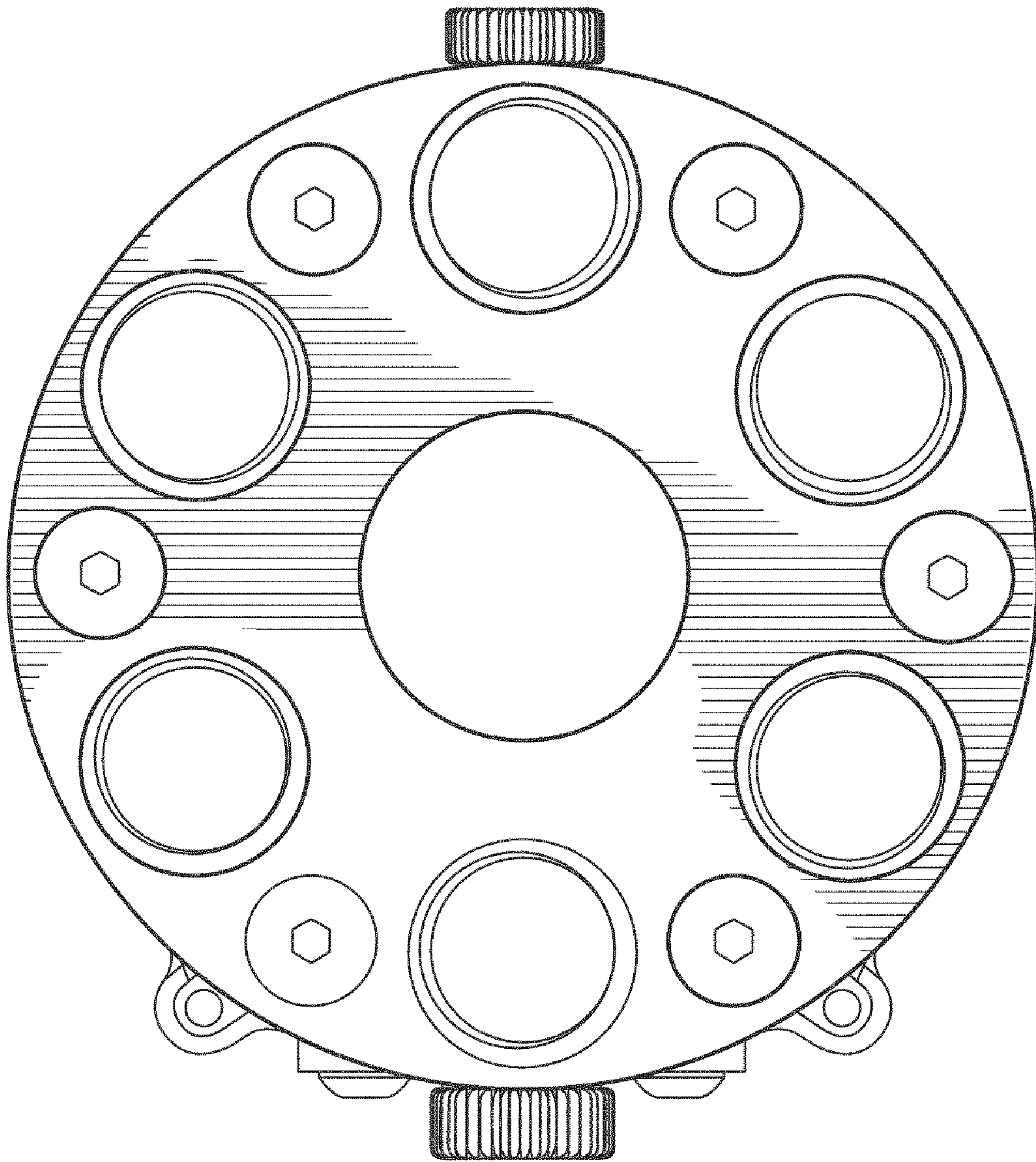


**FIG. 4**

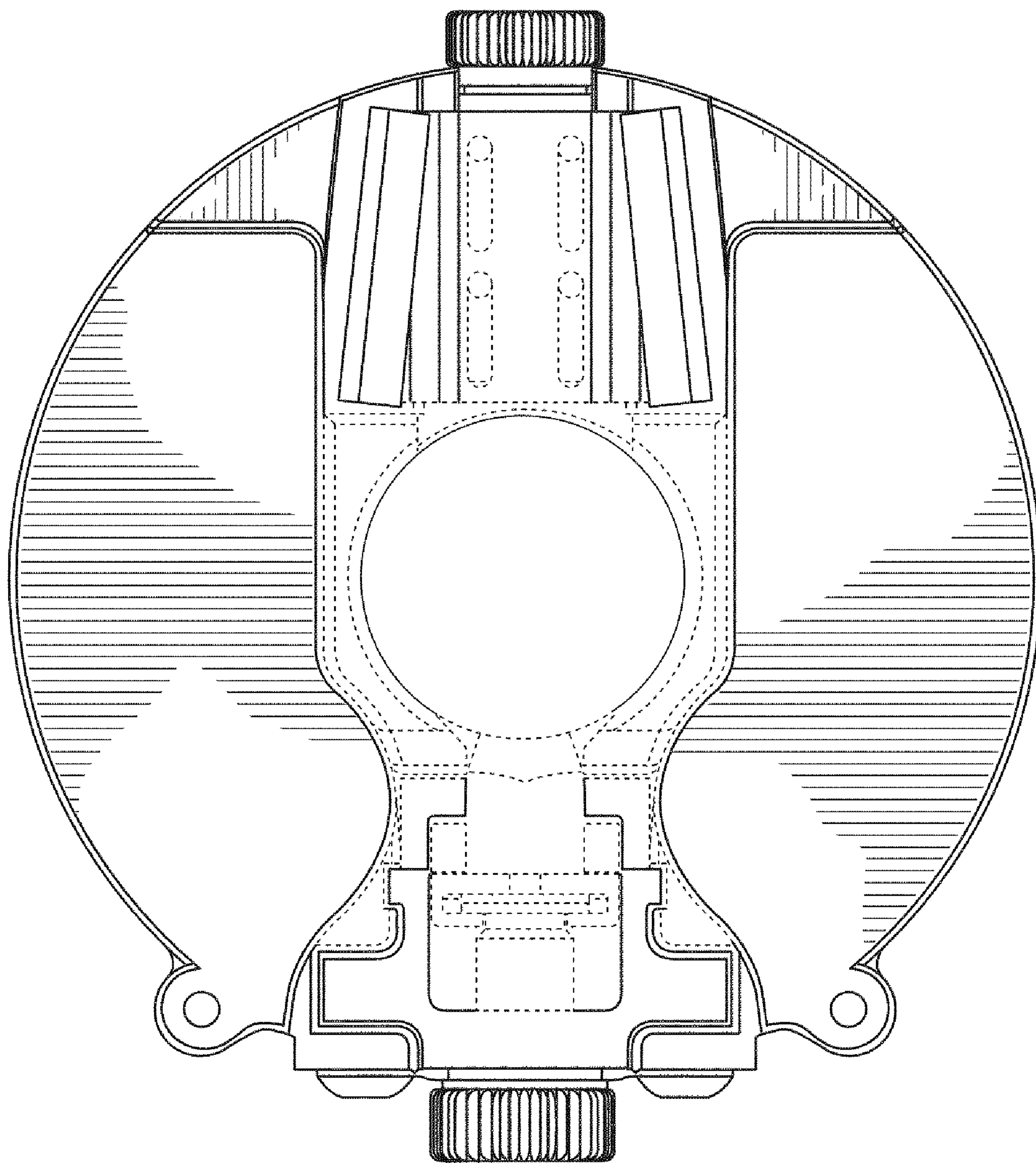




*FIG. 5*



**FIG. 6**



**FIG. 7**