



US00D606155S

(12) **United States Design Patent**  
**Swan**

(10) **Patent No.:** **US D606,155 S**  
(45) **Date of Patent:** **\*\* Dec. 15, 2009**

(54) **WEAPON HANDGUARD**

(76) Inventor: **Richard E. Swan**, 171 West St., E.  
Bridgewater, MA (US) 02333

(\*\*) Term: **14 Years**

(21) Appl. No.: **29/330,753**

(22) Filed: **Jan. 14, 2009**

(51) **LOC (9) Cl.** ..... **22-01**

(52) **U.S. Cl.** ..... **D22/108**

(58) **Field of Classification Search** ..... D22/100,  
D22/108, 109, 110, 199; 42/11, 113, 116,  
42/119, 124, 125, 127, 90, 145, 128, 72,  
42/106, 114, 85, 75.02, 71.01; 248/205.1,  
248/201; 89/40.06, 41.19, 37.04, 33.04,  
89/191.01, 200-204; 124/67, 66, 74; D21/572,  
D21/573

See application file for complete search history.

(56) **References Cited**

**U.S. PATENT DOCUMENTS**

3,075,314	A *	1/1963	Bakker	42/71.01
4,536,982	A *	8/1985	Bredbury et al.	42/71.01
4,663,875	A *	5/1987	Tatro	42/71.01
4,742,636	A *	5/1988	Swan	42/126
4,845,871	A *	7/1989	Swan	42/127
5,142,806	A *	9/1992	Swan	42/114
5,198,600	A *	3/1993	E'Nama	42/90
5,276,988	A *	1/1994	Swan	42/127
5,343,650	A *	9/1994	Swan	42/117
5,533,292	A *	7/1996	Swan	42/123
5,590,484	A *	1/1997	Mooney et al.	42/111
5,613,316	A *	3/1997	Hightower	42/85
5,826,363	A *	10/1998	Olson	42/75.01
6,453,594	B1 *	9/2002	Griffin	42/105
6,490,822	B1 *	12/2002	Swan	42/71.01
6,499,245	B1 *	12/2002	Swan	42/71.01
6,508,027	B1	1/2003	Kim	
6,618,976	B1	9/2003	Swan	
6,655,069	B2 *	12/2003	Kim	42/114
6,671,990	B1 *	1/2004	Booth	42/75.01

6,694,660	B1 *	2/2004	Davies	42/75.01
6,779,288	B1	8/2004	Kim	
6,792,711	B2 *	9/2004	Battaglia	42/114
6,839,998	B1 *	1/2005	Armstrong	42/71.01
6,895,708	B2	5/2005	Kim et al.	
D507,620	S *	7/2005	Swan	D22/109
7,059,076	B2 *	6/2006	Stoner et al.	42/75.01
7,216,451	B1 *	5/2007	Troy	42/72
2003/0230022	A1 *	12/2003	Battaglia	42/111
2004/0000083	A1	1/2004	Grant, Jr.	
2004/0049964	A1 *	3/2004	Vais	42/75.02
2005/0000142	A1	1/2005	Kim et al.	
2007/0033851	A1 *	2/2007	Hochstrate et al.	42/75.01

**FOREIGN PATENT DOCUMENTS**

WO WO 3075314 A1 \* 9/2003

\* cited by examiner

*Primary Examiner*—T. Chase Nelson  
*Assistant Examiner*—Michael A Pratt  
(74) *Attorney, Agent, or Firm*—Barlow, Josephs & Holmes, Ltd.

(57) **CLAIM**

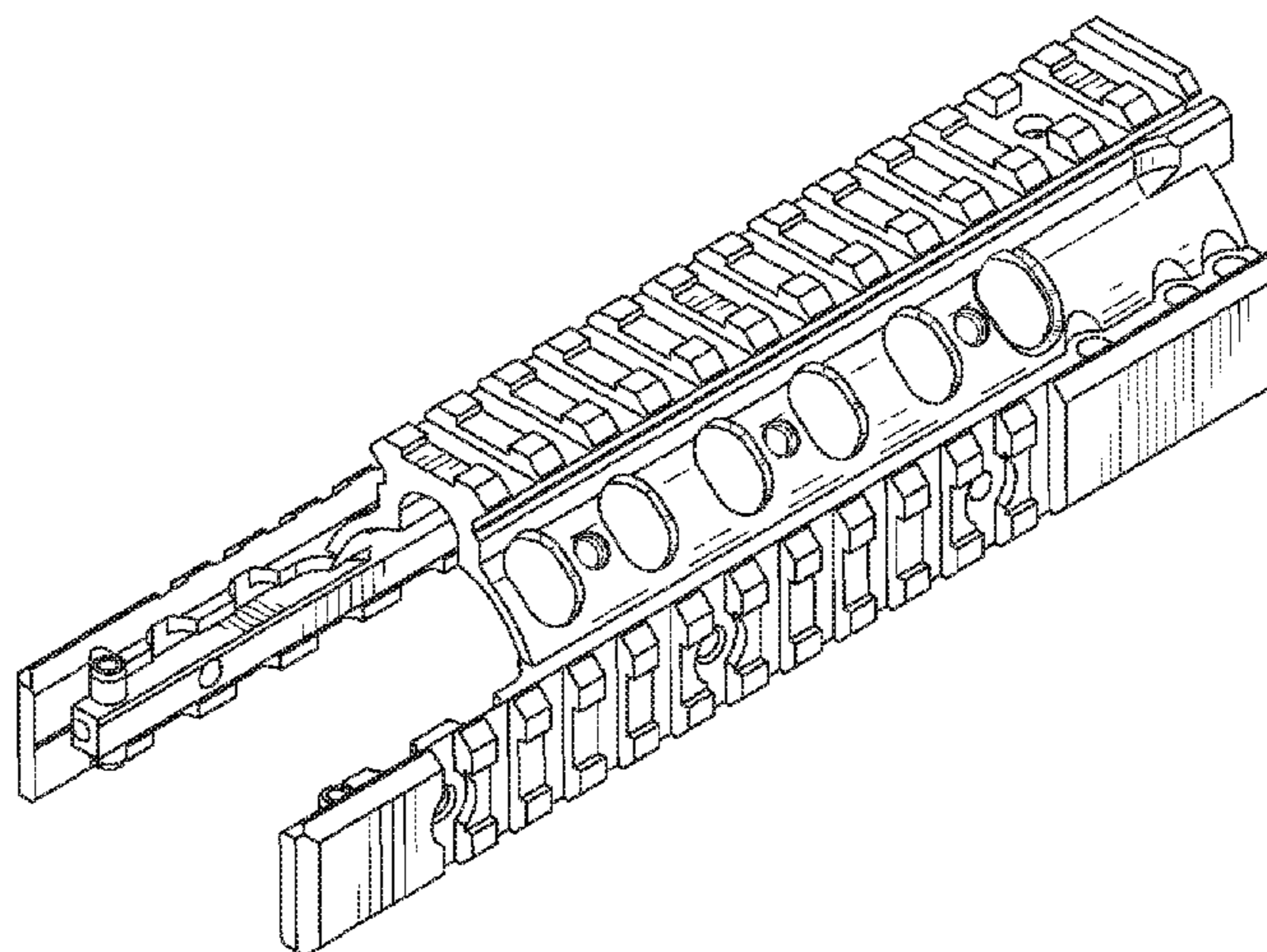
The ornamental design for a weapon handguard, as shown and described.

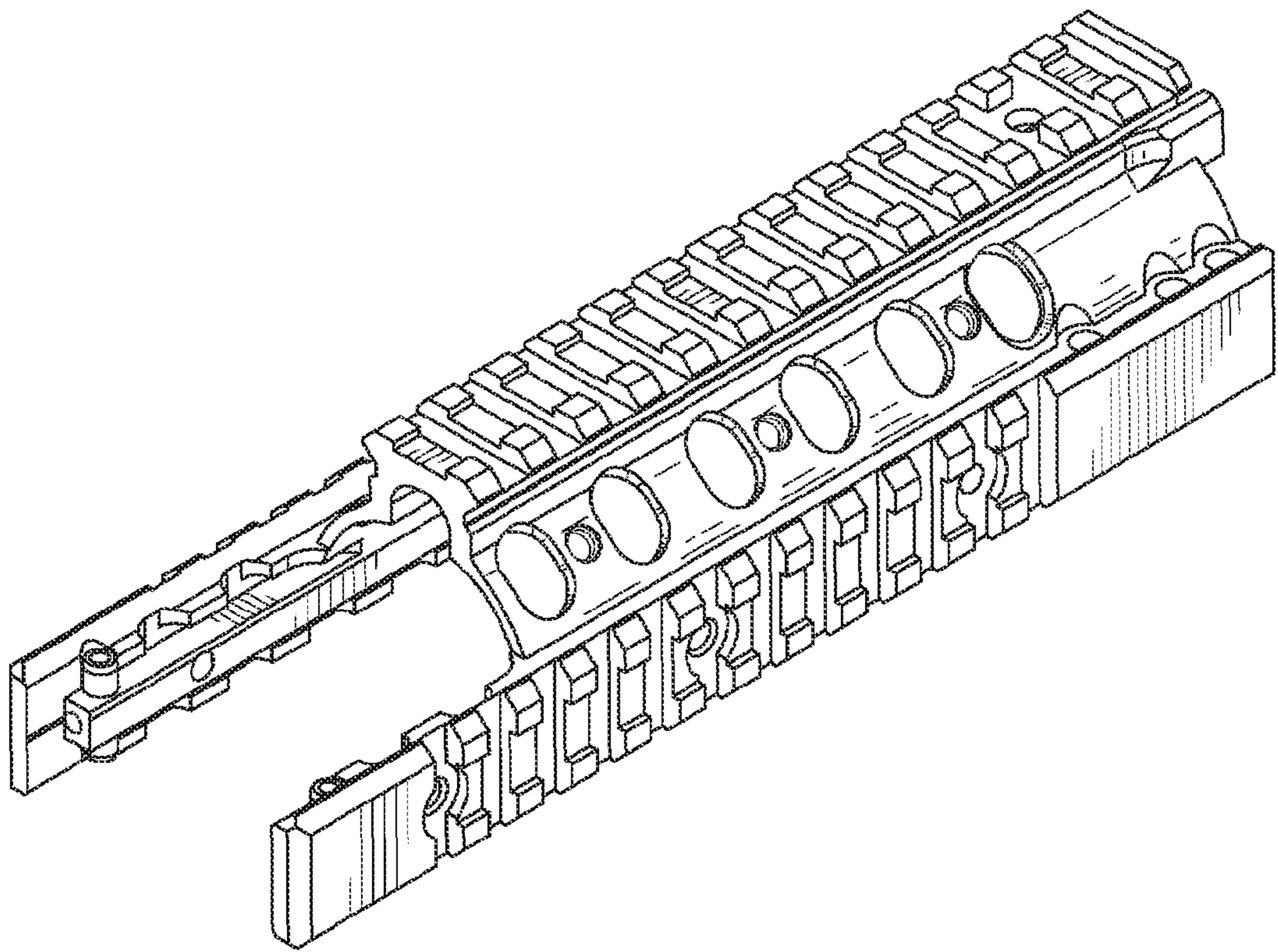
**DESCRIPTION**

FIG. 1 is a perspective view of the weapon handguard in accordance with the present invention;  
FIG. 2 is a right side view thereof;  
FIG. 3 is a left side view thereof;  
FIG. 4 is a top view thereof;  
FIG. 5 is a bottom view thereof;  
FIG. 6 is a front view thereof; and,  
FIG. 7 is a rear view thereof.

The broken line showing of portions of the weapon handguard in FIGS. 1, 5-7 is included for the purpose of illustrating environment and forms no Part of the claimed design.

**1 Claim, 4 Drawing Sheets**





*FIG. 1*

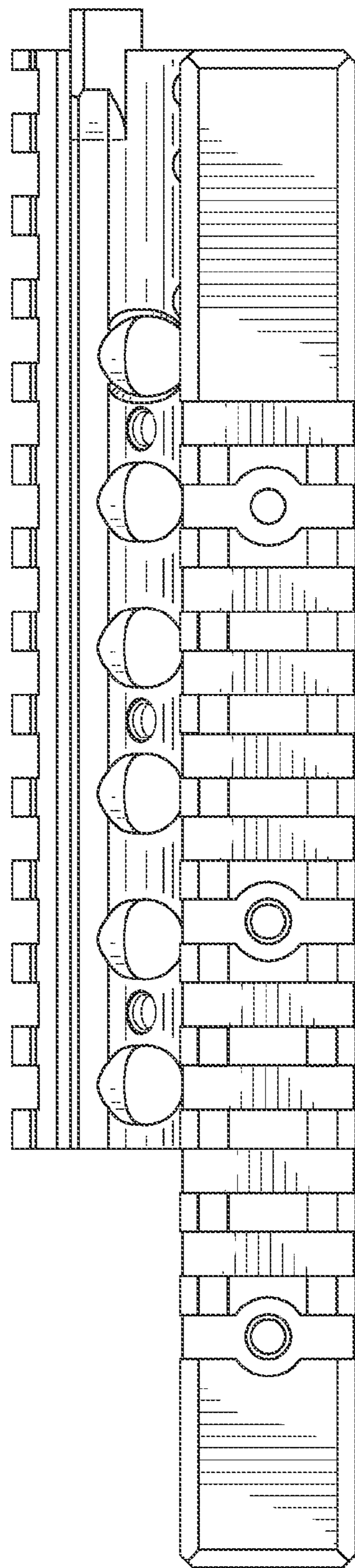


FIG. 2

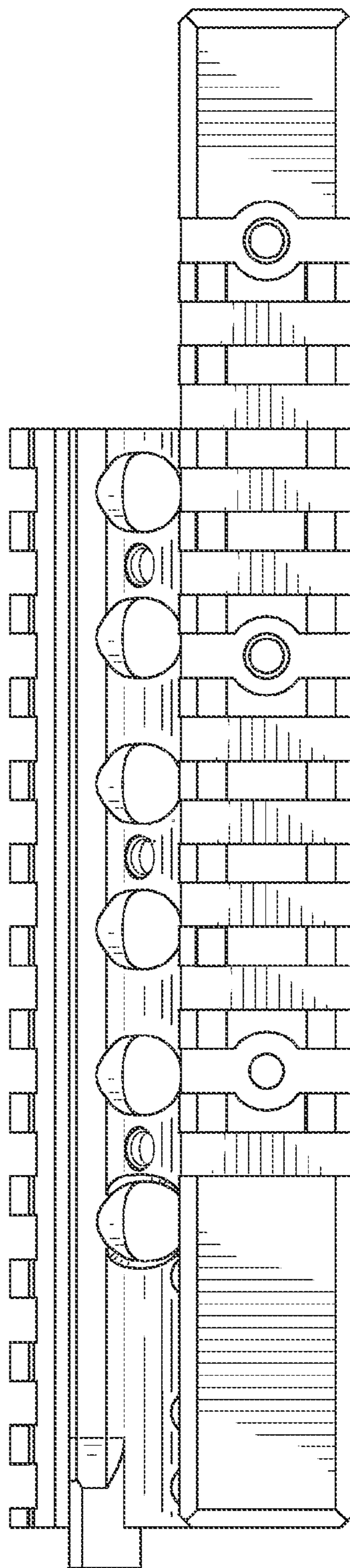


FIG. 3

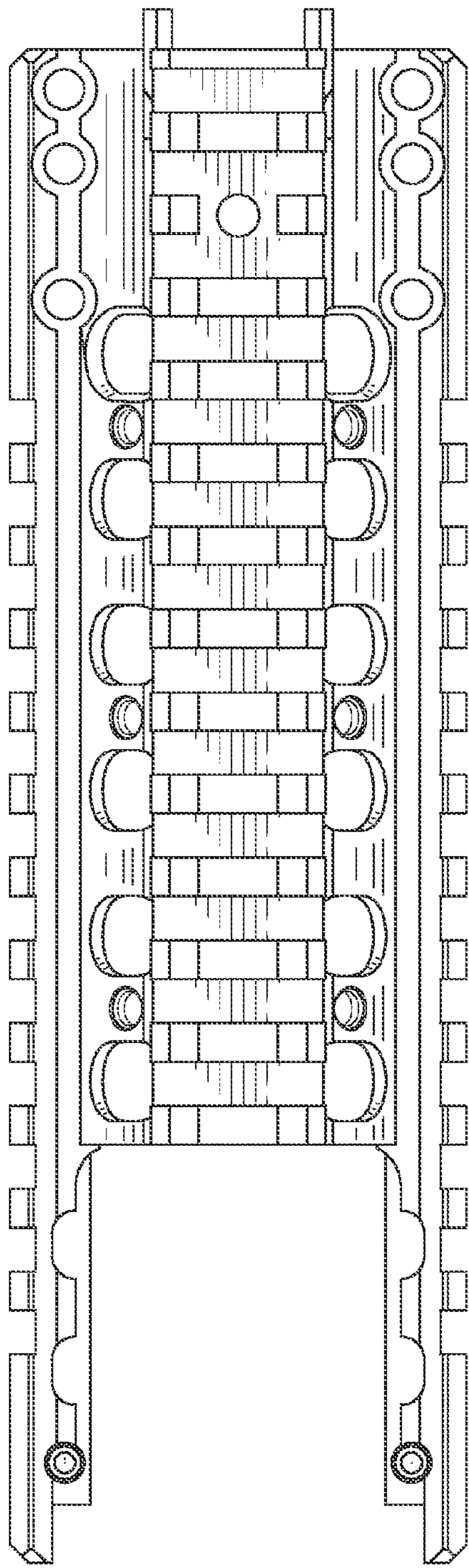


FIG. 4

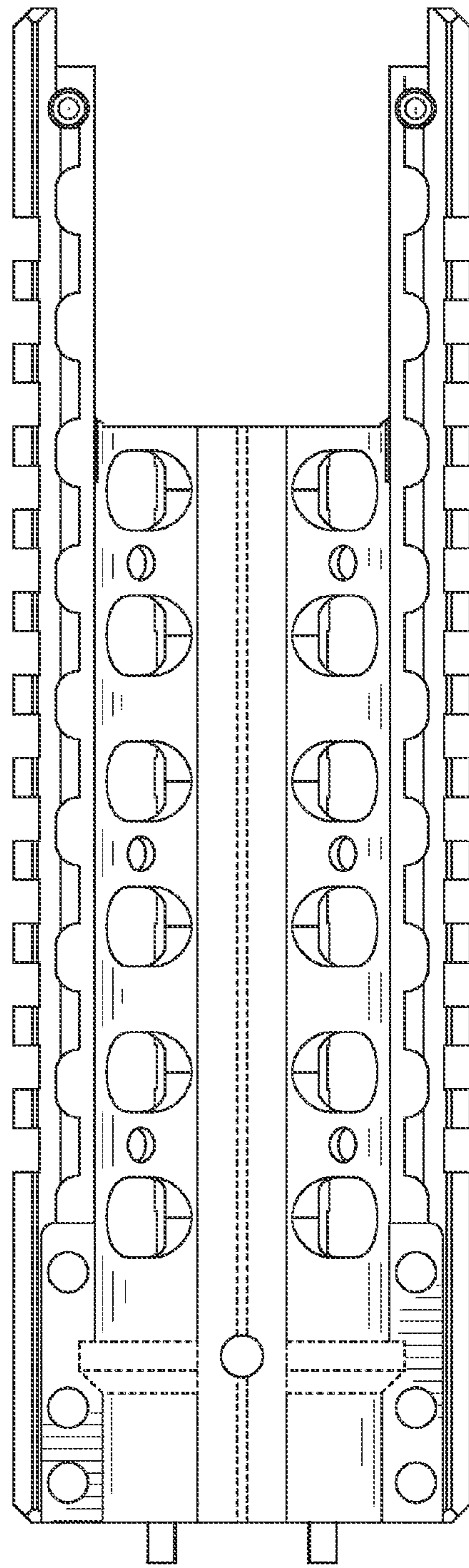
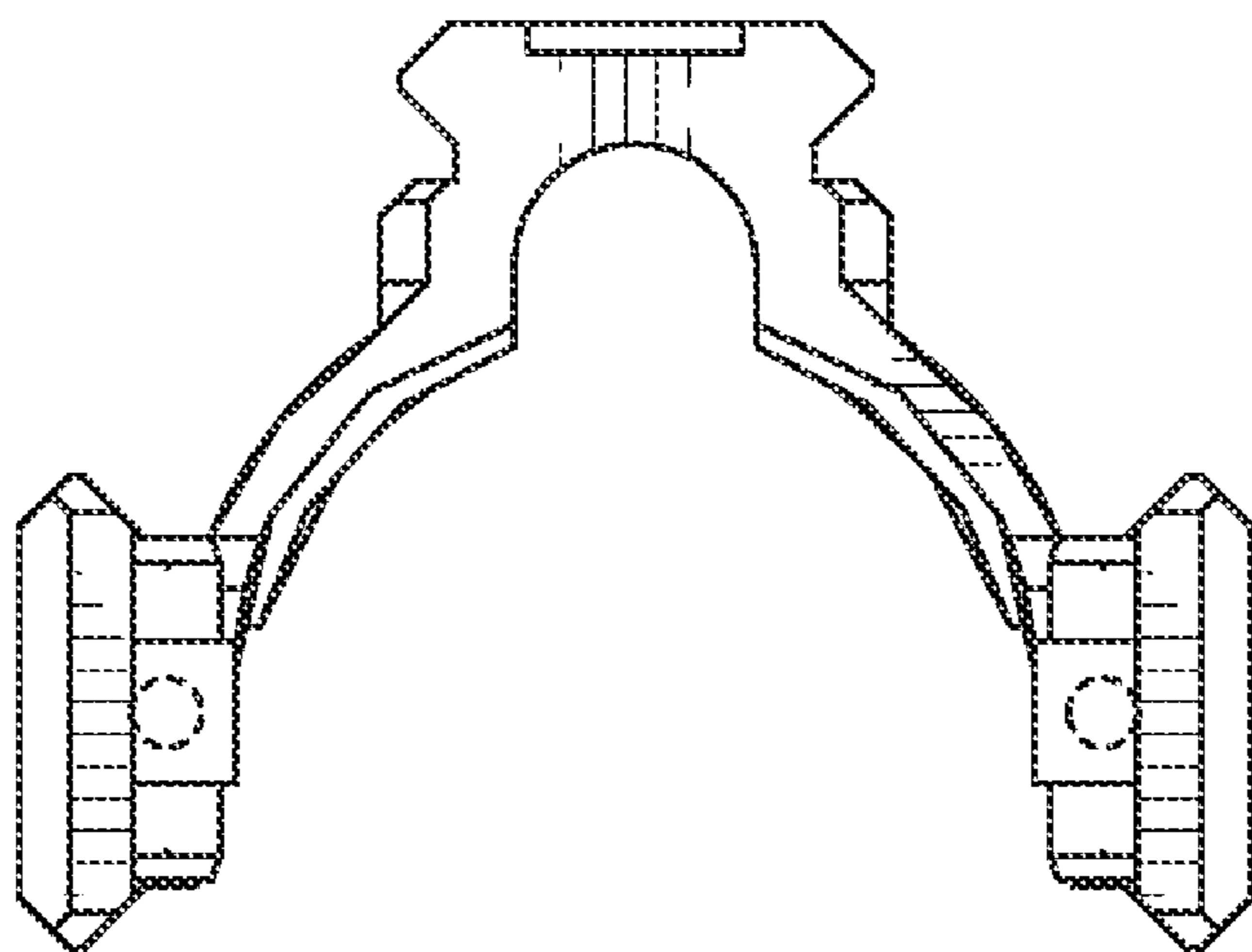
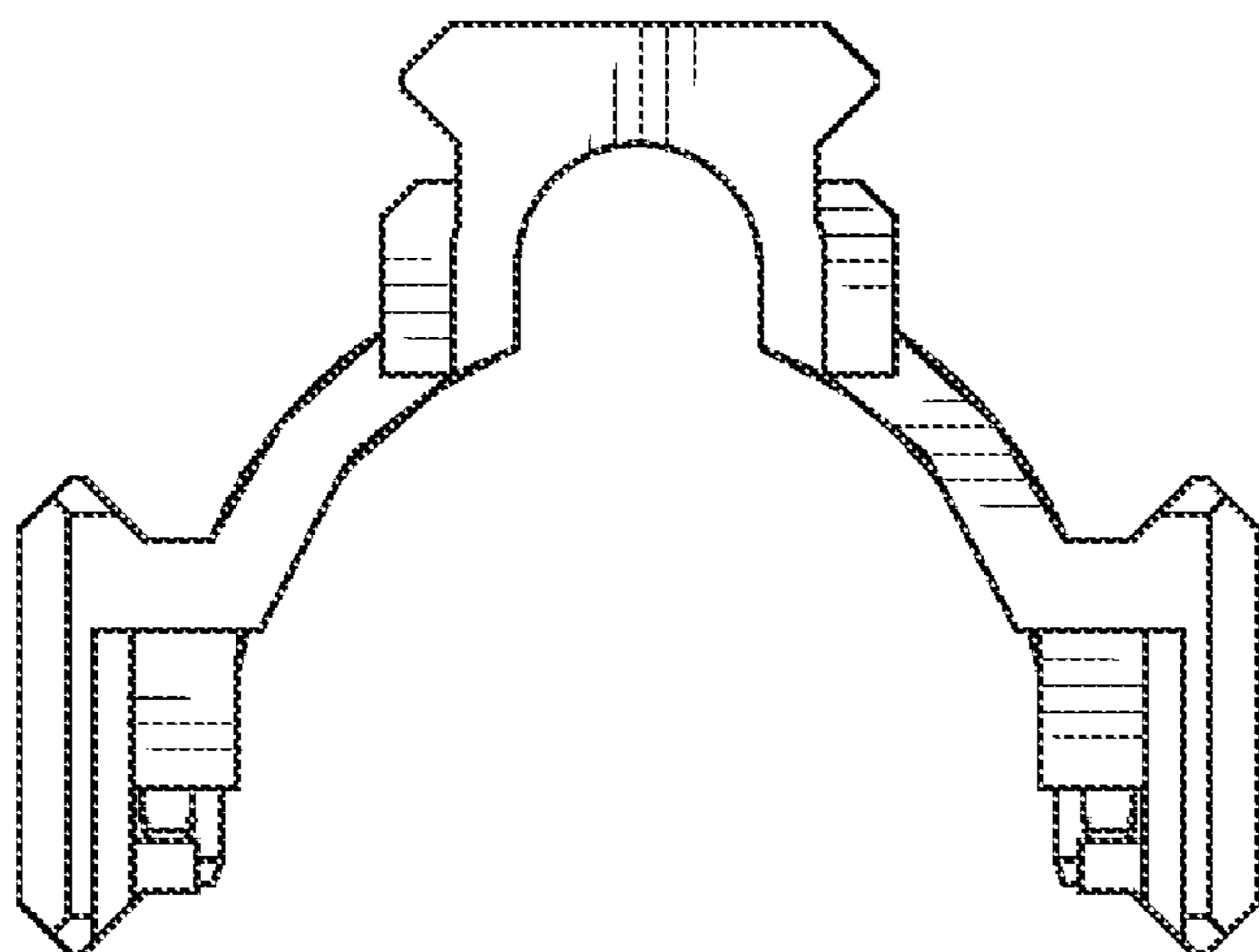


FIG. 5



**FIG. 6**



**FIG. 7**