



US00D606154S

(12) **United States Design Patent**
Casas Salva

(10) **Patent No.:** **US D606,154 S**

(45) **Date of Patent:** **** *Dec. 15, 2009**

(54) **BARREL FOR A FIREARM AND AIR RIFLE**

(75) Inventor: **D. Francisco Casas Salva**, Barcelona (ES)

(73) Assignee: **Industrias El Gamo, S.A.**, Barcelona (ES)

(**) Term: **14 Years**

(21) Appl. No.: **29/295,603**

(22) Filed: **Oct. 2, 2007**

(51) **LOC (9) Cl.** **22-01**

(52) **U.S. Cl.** **D22/108**

(58) **Field of Classification Search** D22/100,
D22/103, 108, 199; 124/63, 67, 59, 60; 42/76.01,
42/76.02, 78, 77, 79; 89/14.05, 16, 14.1-14.6
See application file for complete search history.

(56) **References Cited**

U.S. PATENT DOCUMENTS

4,010,564 A * 3/1977 Pettit 42/112
D246,660 S * 12/1977 Mattarelli D22/109
5,435,089 A * 7/1995 Rodney, Jr. 42/51
5,782,030 A * 7/1998 French 42/76.01

* cited by examiner

Primary Examiner—Cathron C Brooks

Assistant Examiner—Melanie Levy

(74) *Attorney, Agent, or Firm*—Townsend and Townsend and Crew LLP

(57) **CLAIM**

The ornamental design for a barrel for a firearm and air rifle, as shown and described.

DESCRIPTION

FIG. 1 is a right side, rear perspective view of a barrel for a firearm and air rifle showing my new design;

FIG. 2 is a right side view thereof;

FIG. 3 is a left side view thereof;

FIG. 4 is a top view thereof;

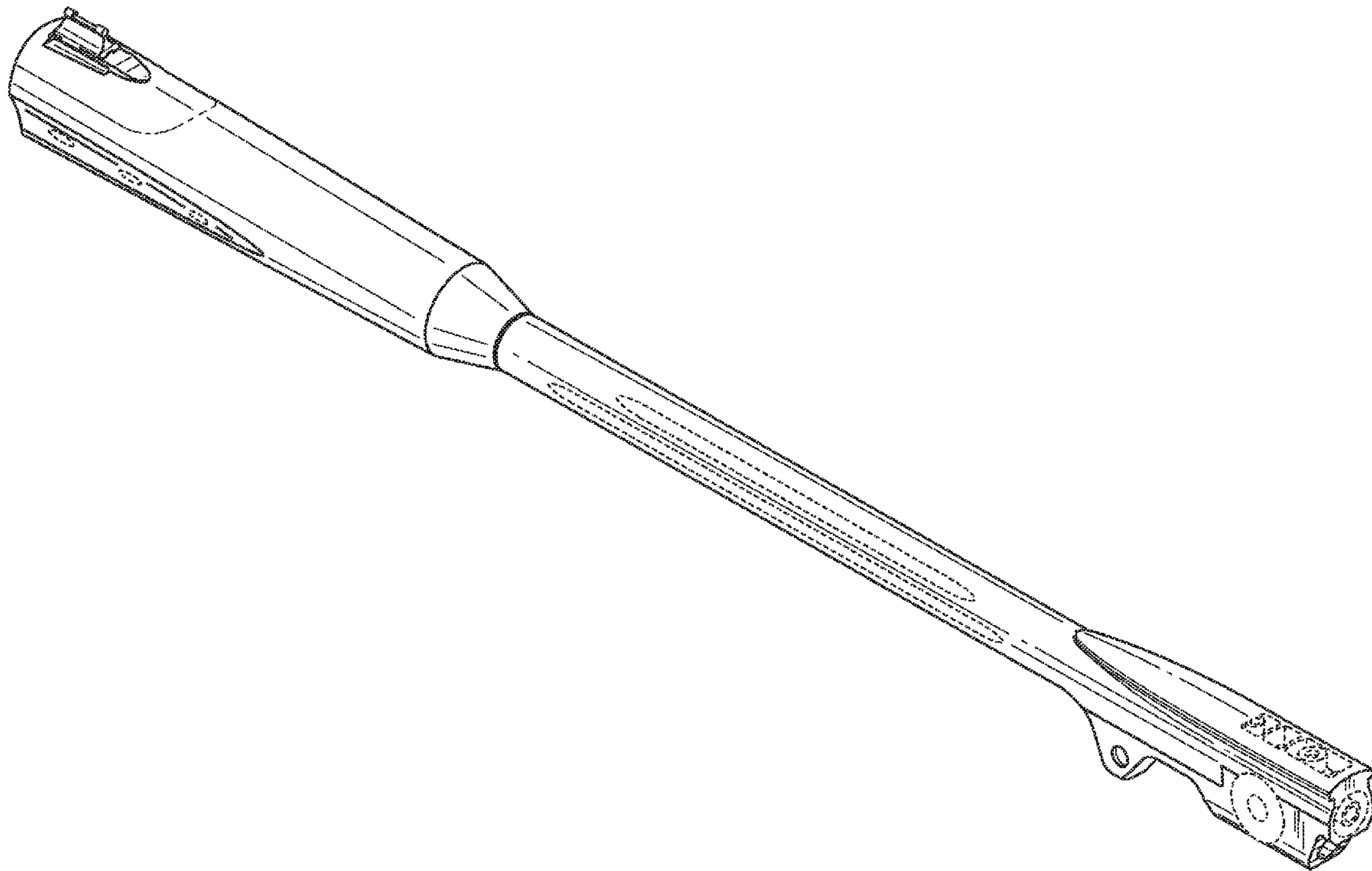
FIG. 5 is a bottom view thereof;

FIG. 6 is a front view thereof; and,

FIG. 7 is a rear view thereof.

The broken lines shown on the drawings represent unclaimed portions of the design and form no part thereof.

1 Claim, 4 Drawing Sheets



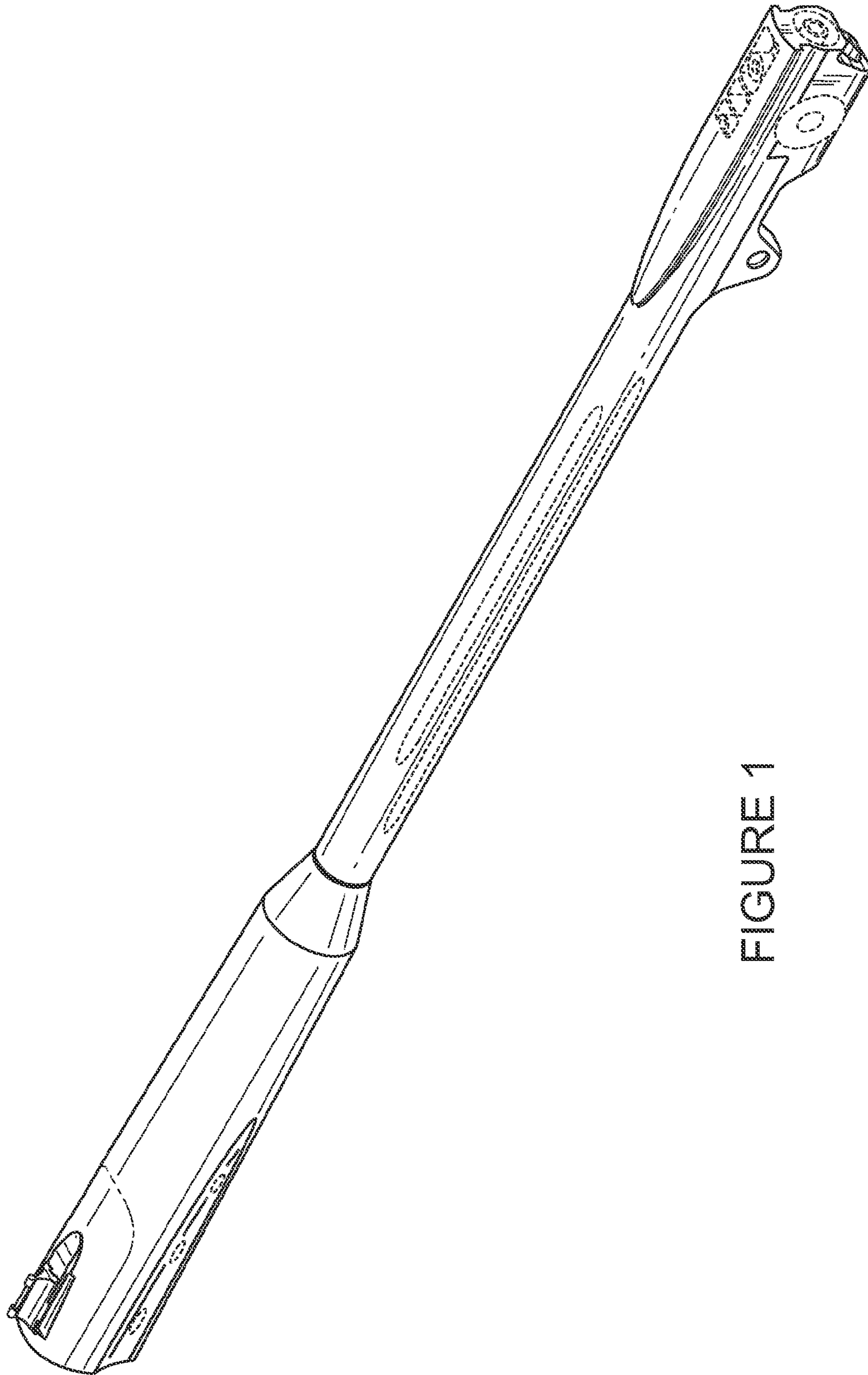


FIGURE 1

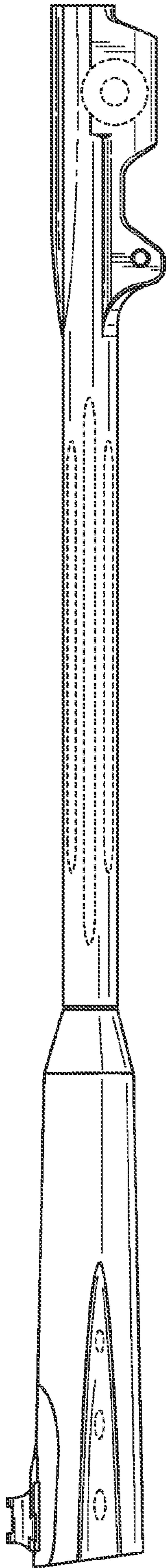


FIGURE 2

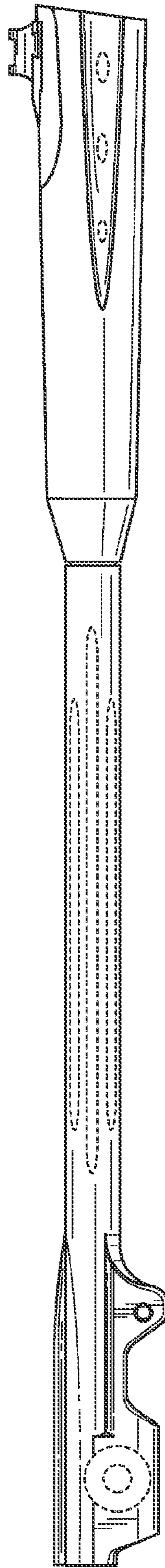


FIGURE 3

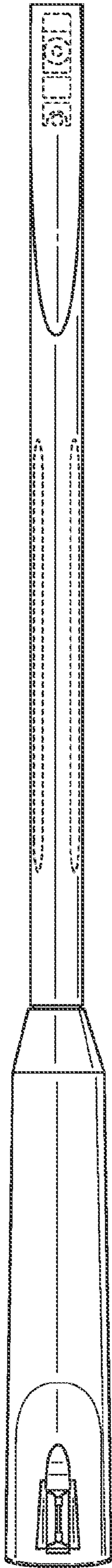


FIGURE 4

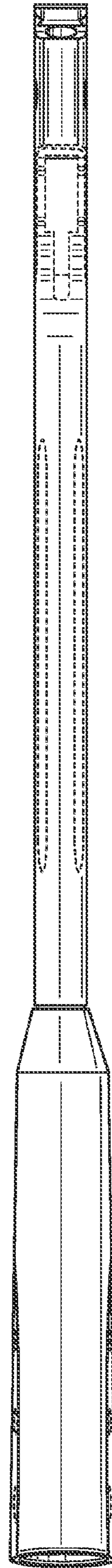


FIGURE 5

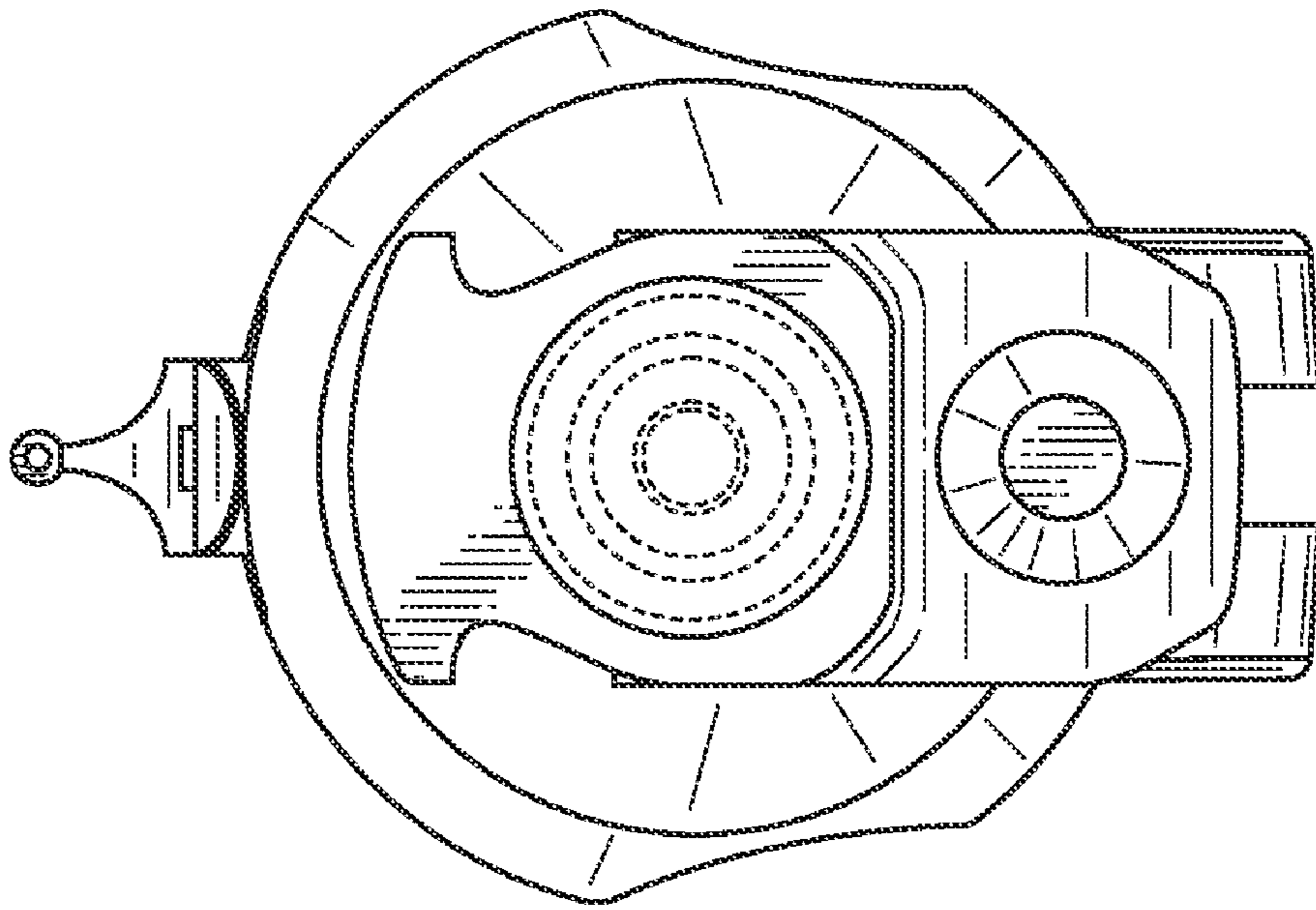


FIGURE 7

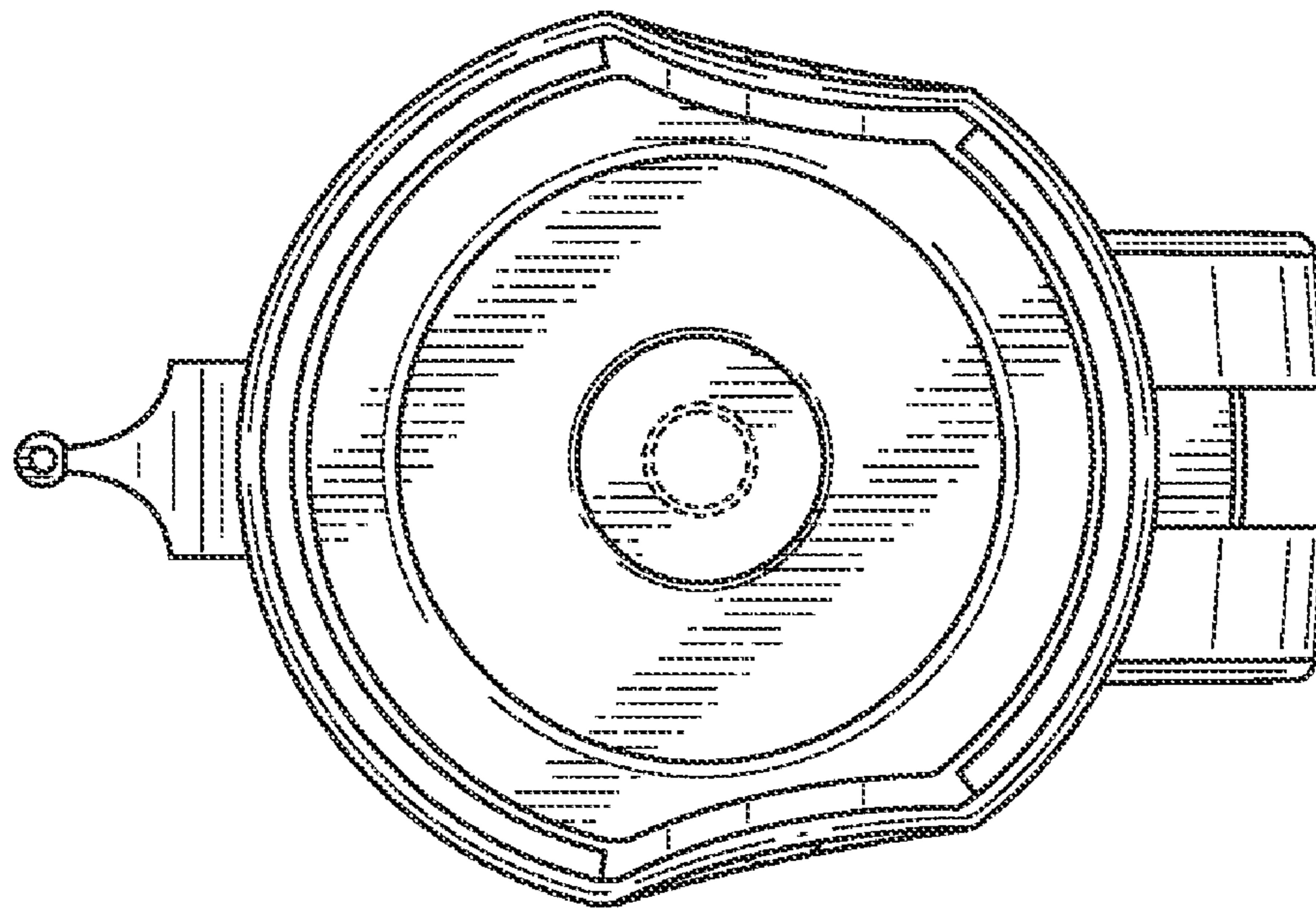


FIGURE 6