



US00D606149S

(12) **United States Design Patent**  
**Regalado**

(10) **Patent No.:** **US D606,149 S**

(45) **Date of Patent:** **\*\* Dec. 15, 2009**

(54) **DIVOT TOOL**

(75) **Inventor:** **Mark A. Regalado**, Tigard, OR (US)

(73) **Assignee:** **Pacific Gold Accessories, Inc.**,  
Beaverton, OR (US)

(\*\*) **Term:** **14 Years**

(21) **Appl. No.:** **29/326,909**

(22) **Filed:** **Oct. 27, 2008**

(51) **LOC (9) Cl.** ..... **21-02**

(52) **U.S. Cl.** ..... **D21/793**

(58) **Field of Classification Search** ..... D21/789,  
D21/793-794; 473/286, 408, 406

See application file for complete search history.

(56) **References Cited**

U.S. PATENT DOCUMENTS

D345,776 S \* 4/1994 Williams ..... D21/793

D356,358 S \* 3/1995 Woodruff ..... D21/793  
D406,297 S \* 3/1999 Fazekas ..... D21/793  
D442,249 S \* 5/2001 Fazekas ..... D21/793  
D465,539 S \* 11/2002 Tate ..... D21/793  
D496,705 S \* 9/2004 Louttit ..... D21/793  
D504,932 S \* 5/2005 Louttit ..... D21/793

\* cited by examiner

*Primary Examiner*—Mitchell I Siegel

(74) *Attorney, Agent, or Firm*—Marger Johson & McCollom,  
P.C.

(57) **CLAIM**

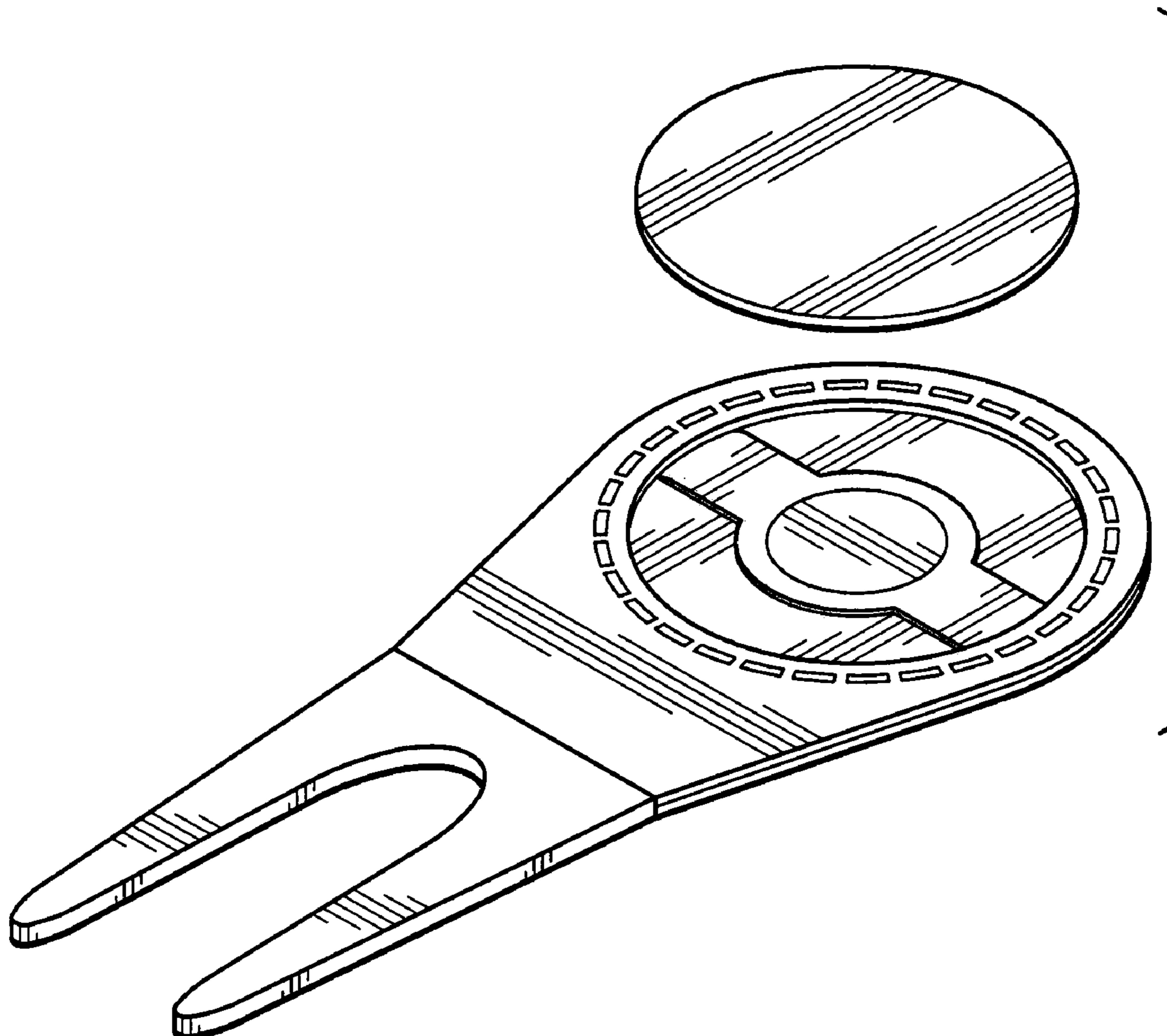
The ornamental design for a divot tool, as shown and described.

**DESCRIPTION**

FIG. 1 is a perspective view of the divot tool; and,

FIG. 2 is an exploded view thereof.

**1 Claim, 1 Drawing Sheet**



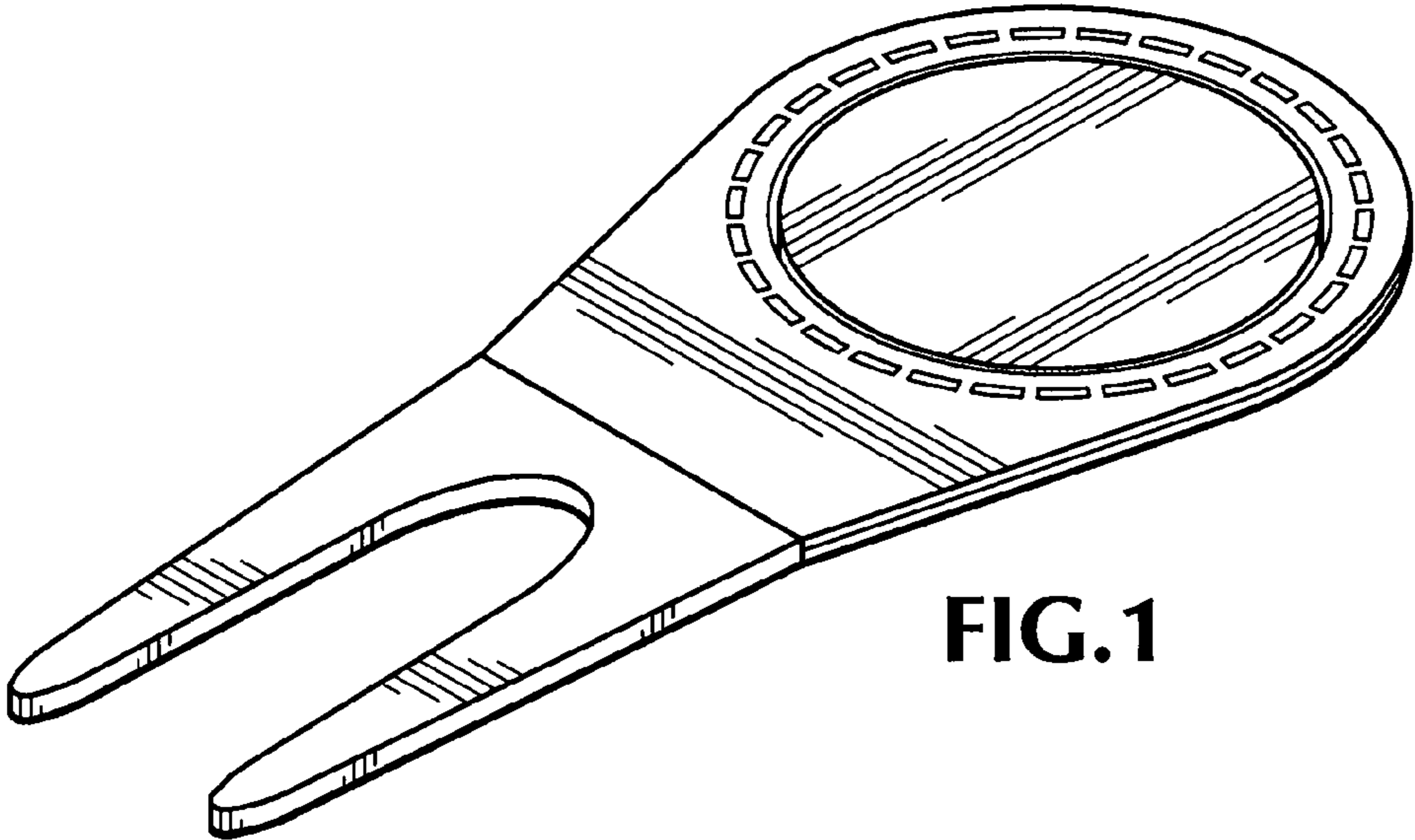


FIG. 1

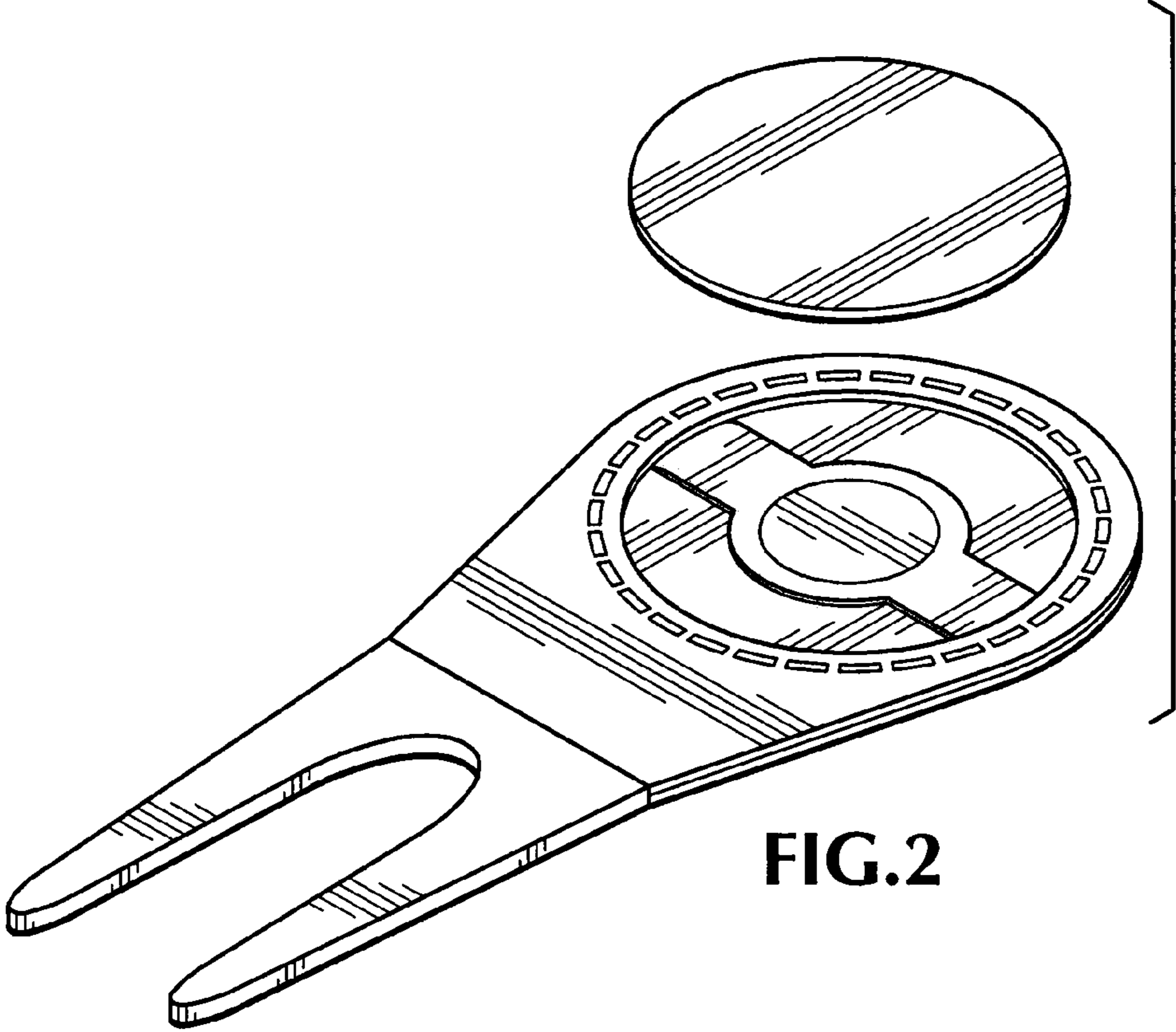


FIG. 2