



US00D606148S

(12) **United States Design Patent**
Chien et al.

(10) **Patent No.:** **US D606,148 S**
(45) **Date of Patent:** **** Dec. 15, 2009**

(54) **GOLF CLUB HEAD**

(75) Inventors: **Stephen C. Chien**, Irvine, CA (US);
Jimmy H. Kuan, West Covina, CA
(US); **Michael D. Sandoval**, La Palma,
CA (US); **Adam K. Sheldon**, Long
Beach, CA (US)

(73) Assignee: **Roger Cleveland Golf Co., Inc.**,
Huntington Beach, CA (US)

(**) Term: **14 Years**

(21) Appl. No.: **29/342,824**

(22) Filed: **Sep. 1, 2009**

(51) **LOC (9) Cl.** **21-02**

(52) **U.S. Cl.** **D21/759**

(58) **Field of Classification Search** D21/736-752,
D21/759; 473/324-331, 340-350

See application file for complete search history.

(56) **References Cited**

U.S. PATENT DOCUMENTS

D96,478 S 8/1935 Jansky

(Continued)

Primary Examiner—Mitchell I Siegel

(74) *Attorney, Agent, or Firm*—Oliff & Berridge, PLC

(57) **CLAIM**

The ornamental design for a golf club head, as shown and described.

DESCRIPTION

FIG. 1 is a front view of a golf club head with its face in the drawing plane, showing a detail A according to a first embodiment of the inventive design.

FIG. 2 is an enlarged view of the detail A shown in FIG. 1.

FIG. 3 is a partial cross-sectional view of the detail A taken in the direction of lines 3—3 of FIG. 2.

FIG. 4 is a perspective view of the detail A shown in FIG. 3.

FIG. 5 is another perspective view of the detail A shown in FIG. 3.

FIG. 6 is a rear view of the golf club head shown in FIG. 1.

FIG. 7 is a top view of the golf club head shown in FIG. 1.

FIG. 8 is a bottom view the golf club head shown in FIG. 1.

FIG. 9 is a heel-side view of the golf club head shown in FIG. 1.

FIG. 10 is a toe-side view of the golf club head shown in FIG. 1.

FIG. 11 is a front view of a golf club head with its face in the drawing plane, showing a detail B according to a second embodiment of the inventive design.

FIG. 12 is an enlarged view of the detail B shown in FIG. 1.

FIG. 13 is a partial cross-sectional view of the detail B taken in the direction of lines 13—13 of FIG. 12.

FIG. 14 is a perspective view of the detail B shown in FIG. 13.

FIG. 15 is another perspective view of the detail B shown in FIG. 13.

FIG. 16 is a rear view of the golf club head shown in FIG. 11.

FIG. 17 is a top view of the golf club head shown in FIG. 11.

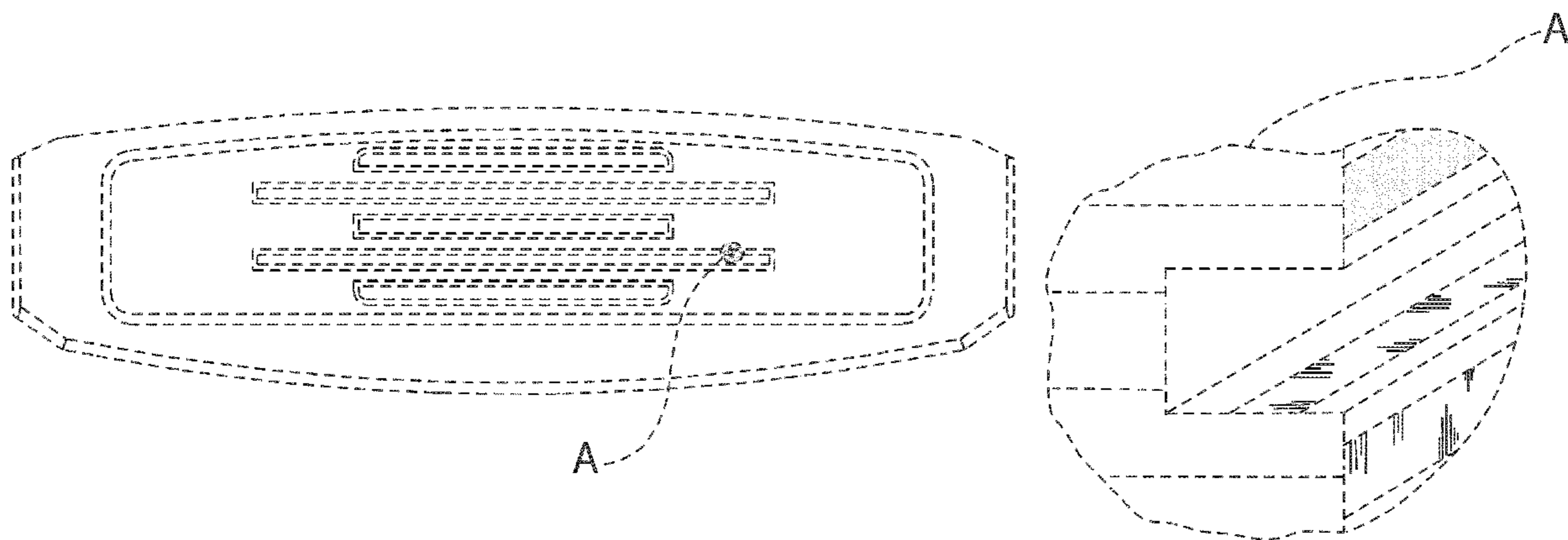
FIG. 18 is a bottom view the golf club head shown in FIG. 11.

FIG. 19 is a heel-side view of the golf club head shown in FIG. 11; and,

FIG. 20 is a toe-side view of the golf club head shown in FIG. 11.

The shading represents three different surface treatments. The broken lines immediately adjacent the shaded areas represent the bounds of the claimed design, while all other broken lines are directed to environment and are for illustrative purposes only; the broken lines form no part of the claimed design.

1 Claim, 20 Drawing Sheets



US D606,148 S

Page 2

U.S. PATENT DOCUMENTS

2,520,950	A	9/1950	Miller		
4,077,632	A	3/1978	Taylor		
D393,033	S *	3/1998	Sheets	D21/745
D394,689	S *	5/1998	Sheets	D21/743
5,755,626	A	5/1998	Shira		
D396,081	S *	7/1998	Sheets	D21/742
D399,275	S *	10/1998	Sheets	D21/742
6,048,277	A *	4/2000	Raymond	473/331
6,719,644	B2 *	4/2004	Beach	473/330
D532,070	S	11/2006	Solari		
D544,562	S	6/2007	Park et al.		
D545,932	S	7/2007	Park et al.		
D551,311	S	9/2007	Park et al.		
D551,729	S	9/2007	Park et al.		
D551,730	S	9/2007	Park et al.		
D553,702	S *	10/2007	Frame et al.	D21/759
D554,220	S	10/2007	Park et al.		
7,278,928	B2	10/2007	Newman et al.		
D570,934	S *	6/2008	Ban et al.	D21/744
D572,786	S *	7/2008	Ban et al.	D21/759
D581,476	S *	11/2008	Johnson	D21/759
7,445,561	B2	11/2008	Newman et al.		
D588,221	S *	3/2009	Takahashi	D21/759
D588,666	S *	3/2009	Takahashi	D21/759
D596,687	S *	7/2009	Bezilla et al.	D21/759
2008/0076594	A1	3/2008	Liu et al.		
2008/0076597	A1	3/2008	Roach et al.		
2008/0108453	A1	5/2008	Park et al.		

* cited by examiner

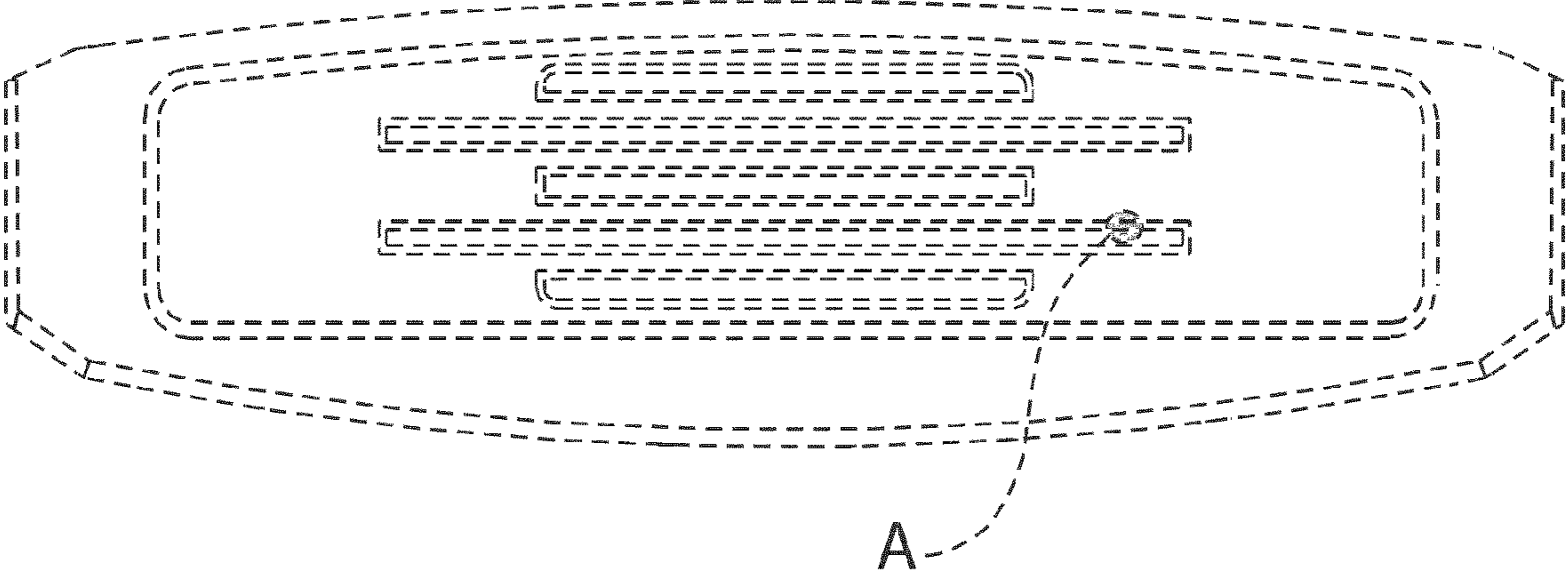


FIG.1

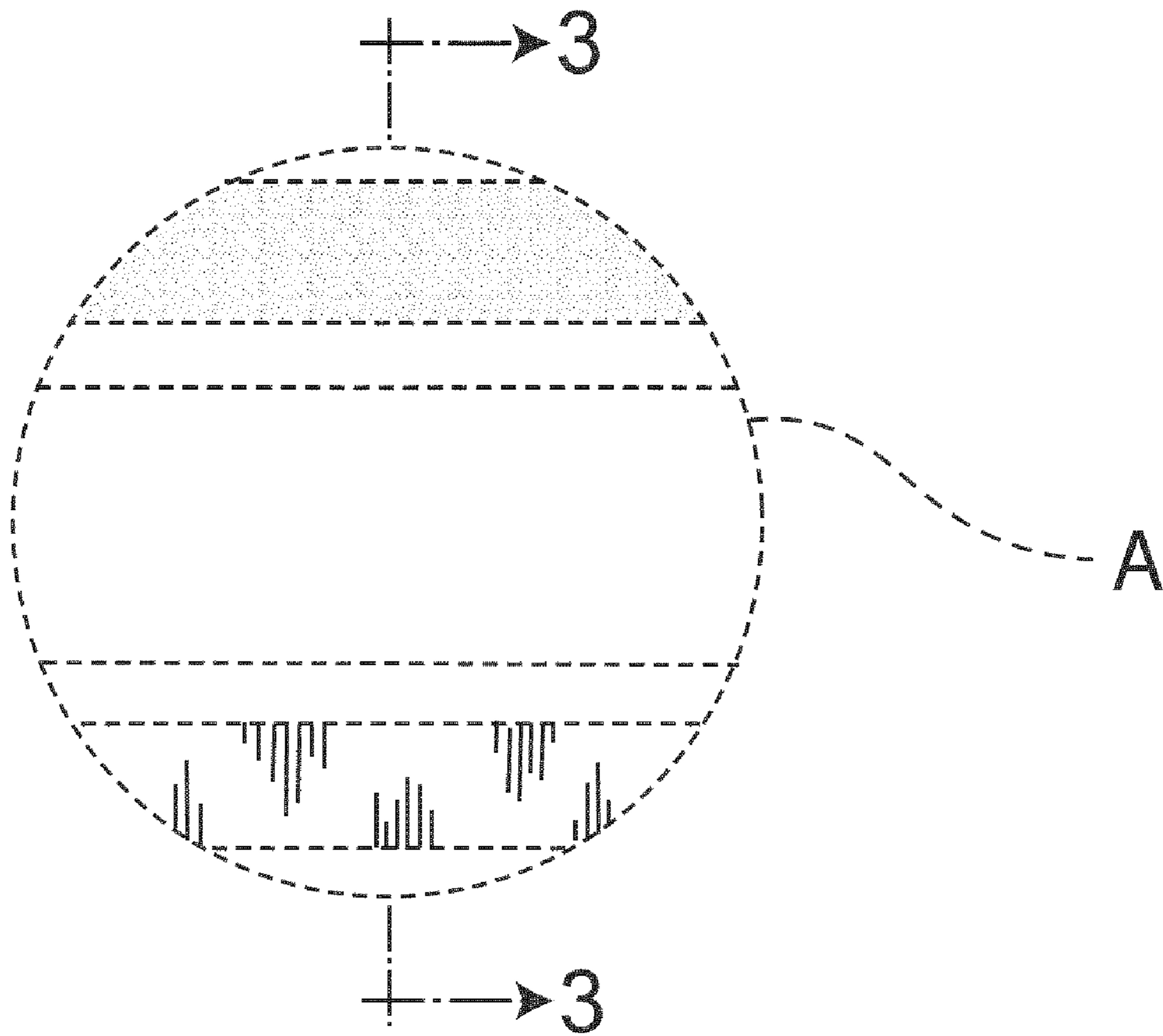


FIG. 2

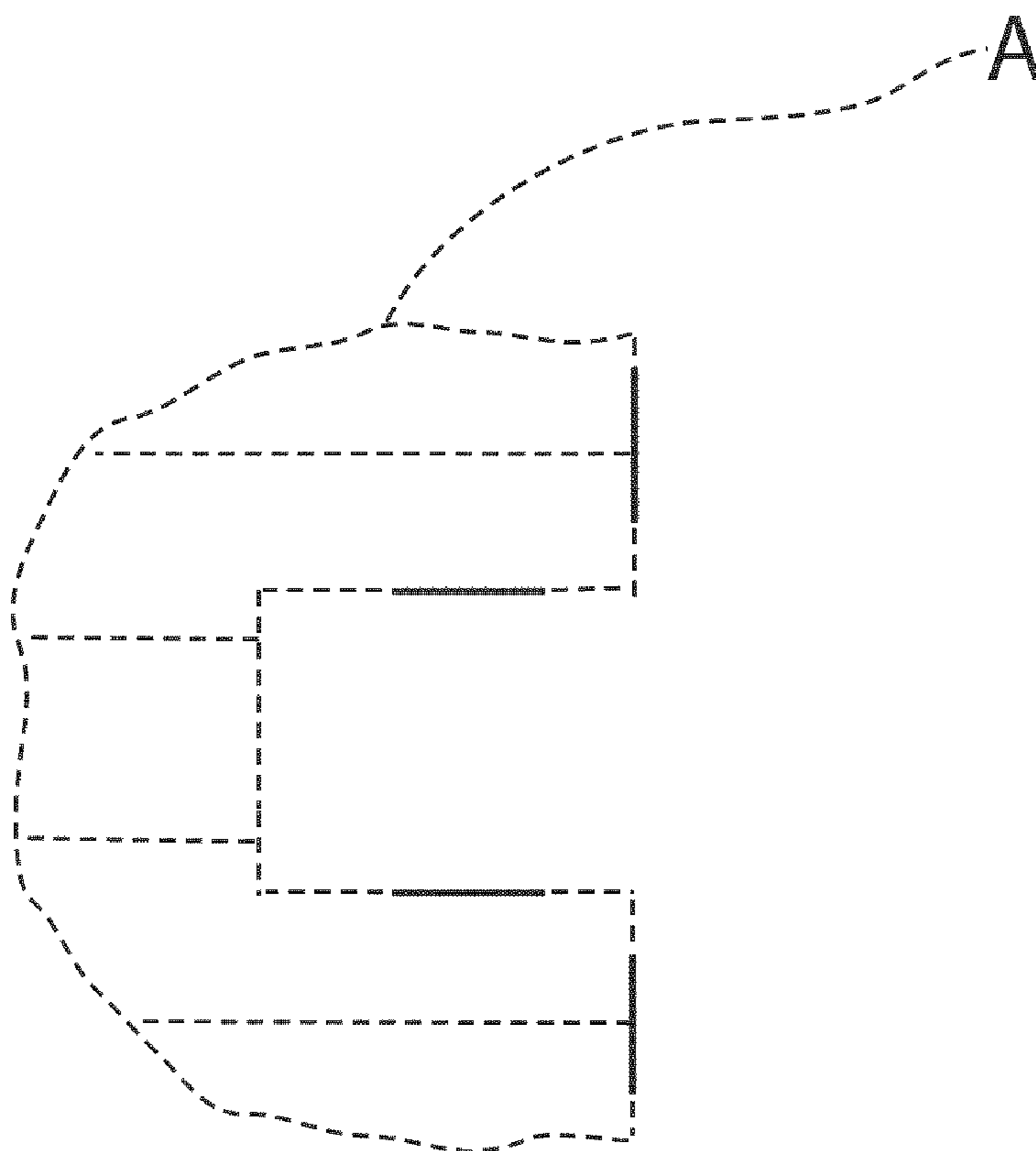


FIG. 3

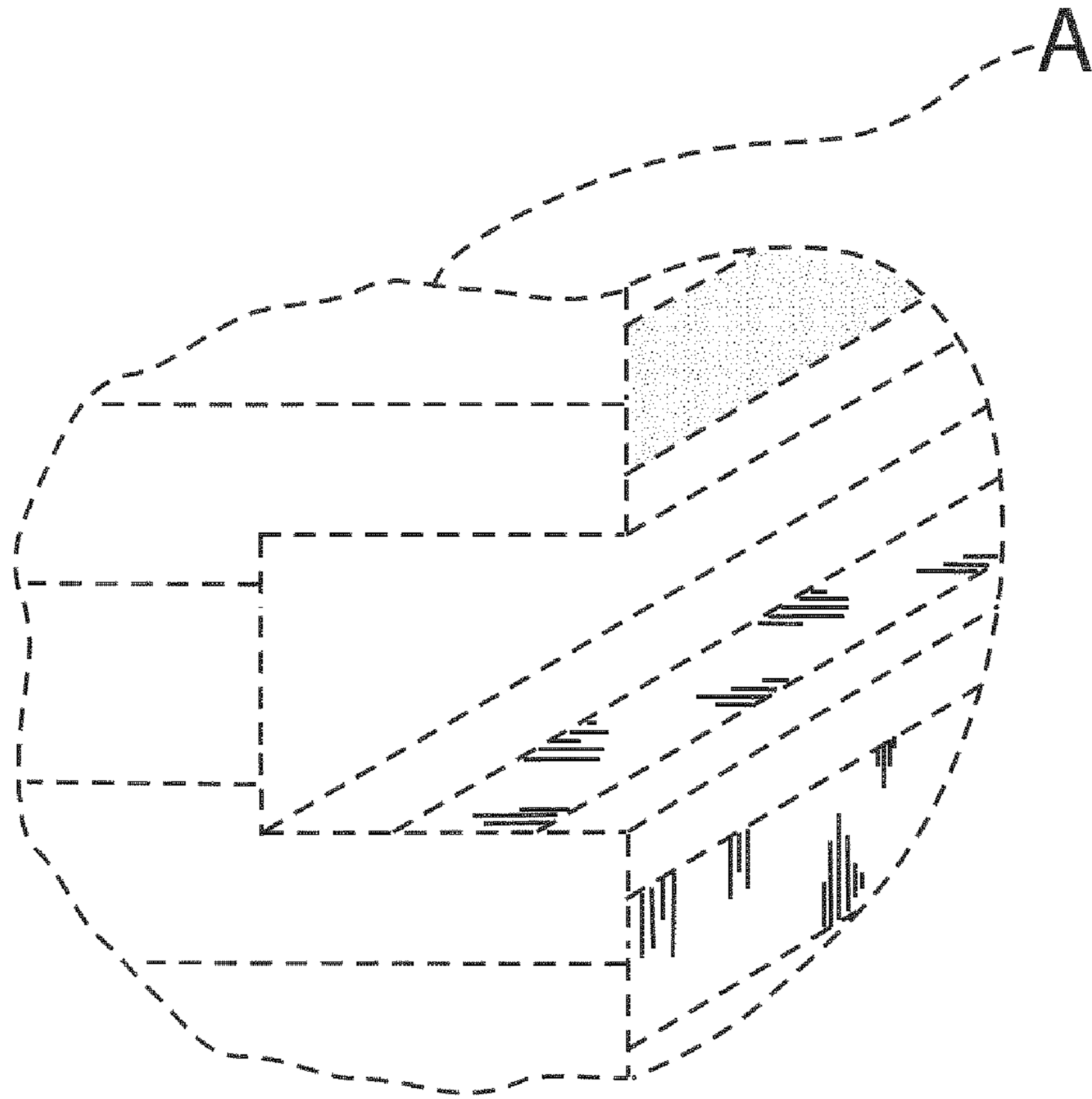


FIG. 4

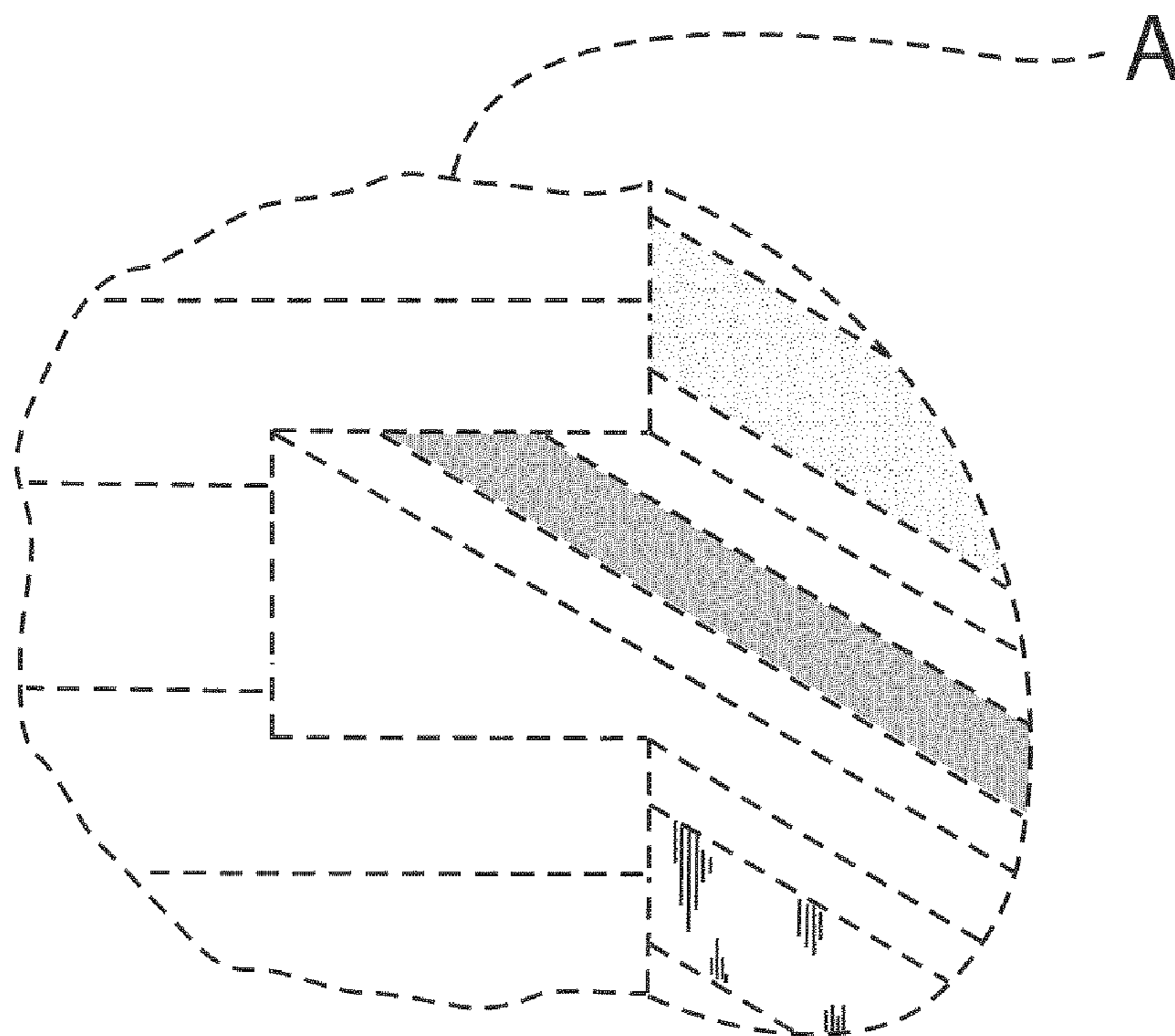


FIG. 5

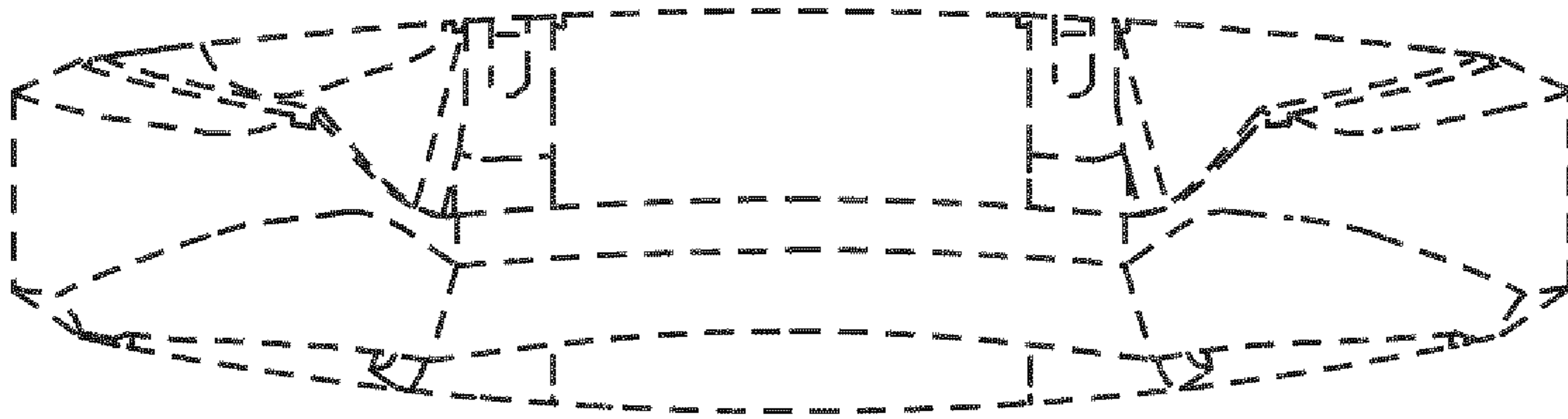


FIG. 6

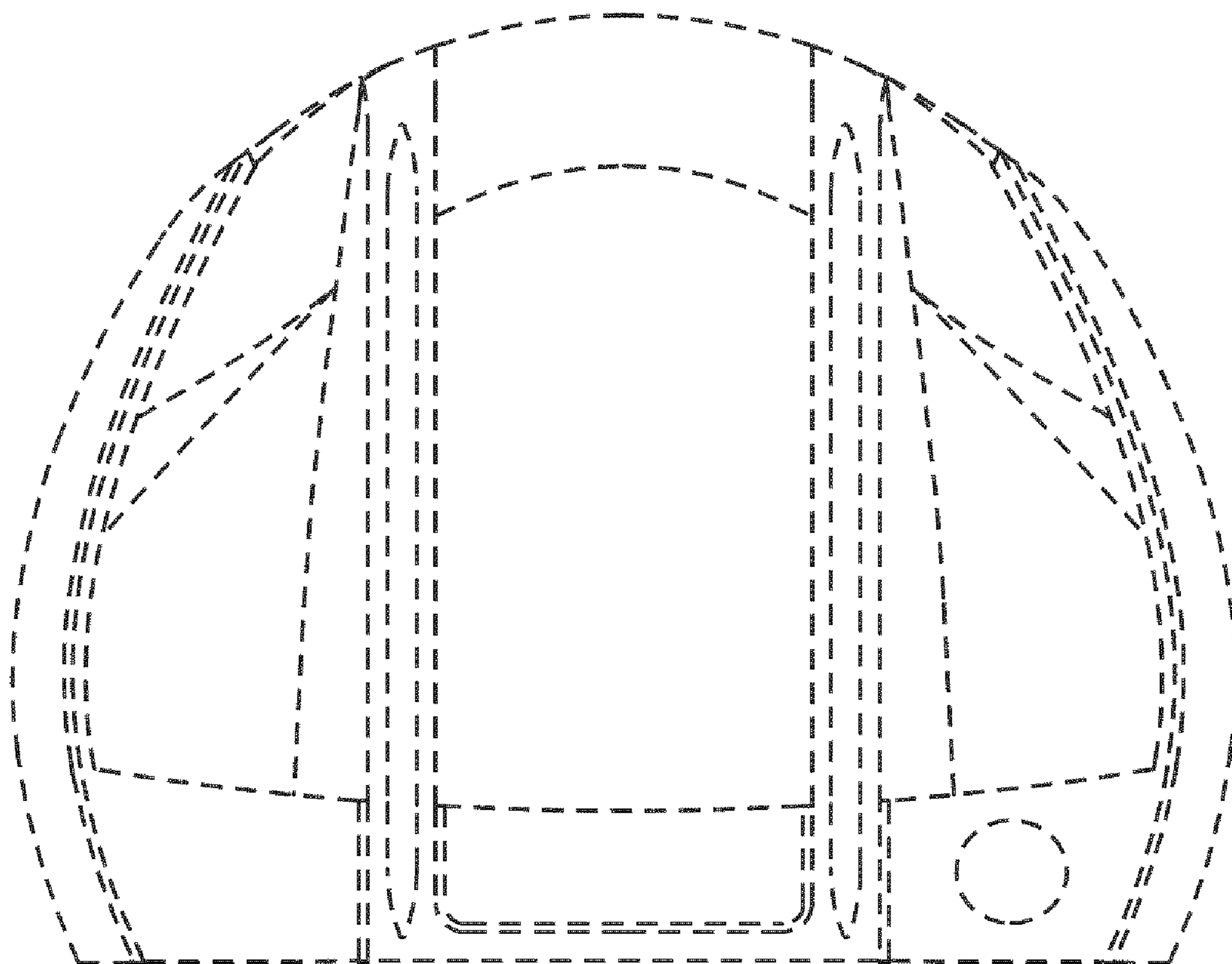


FIG. 7

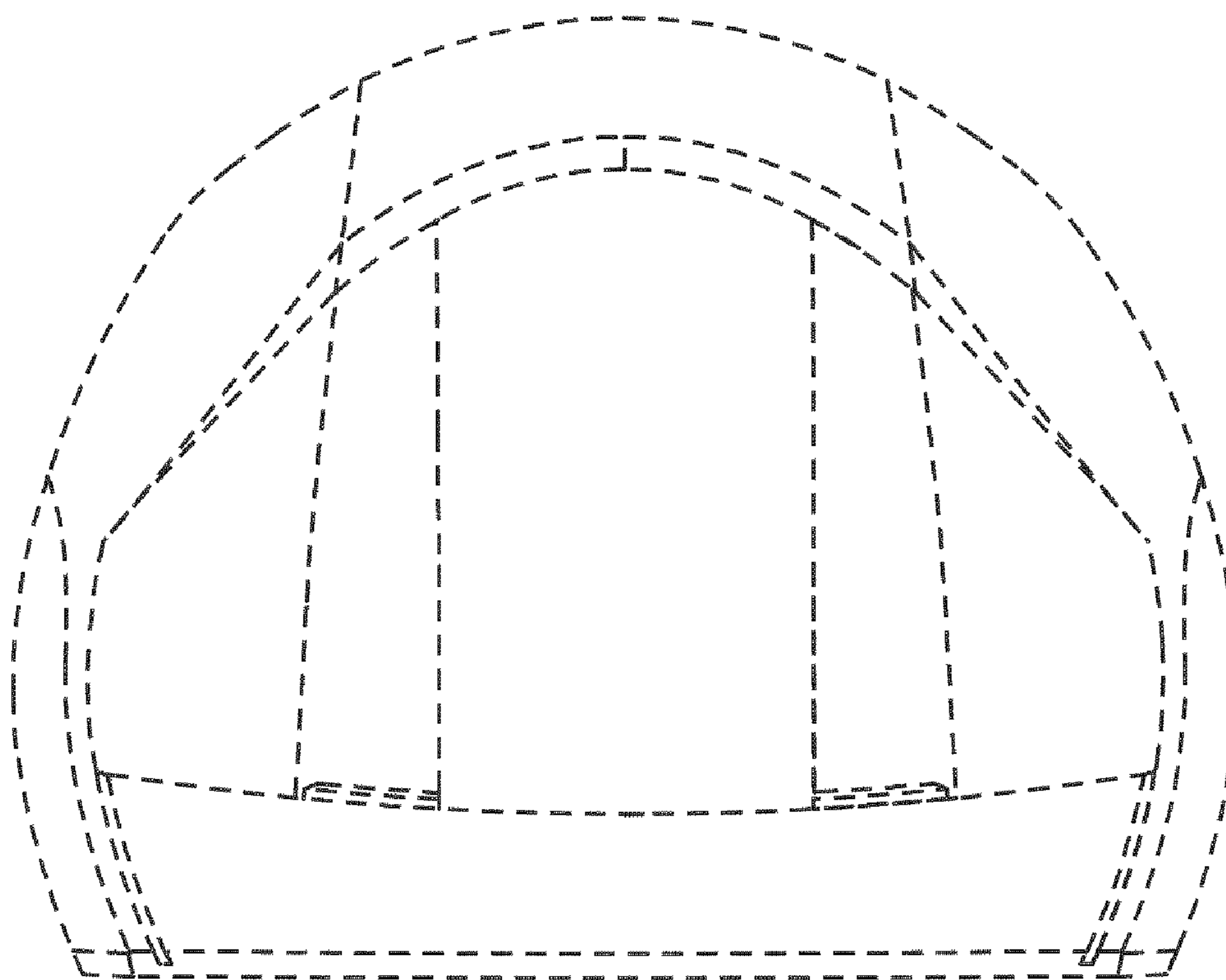


FIG. 8

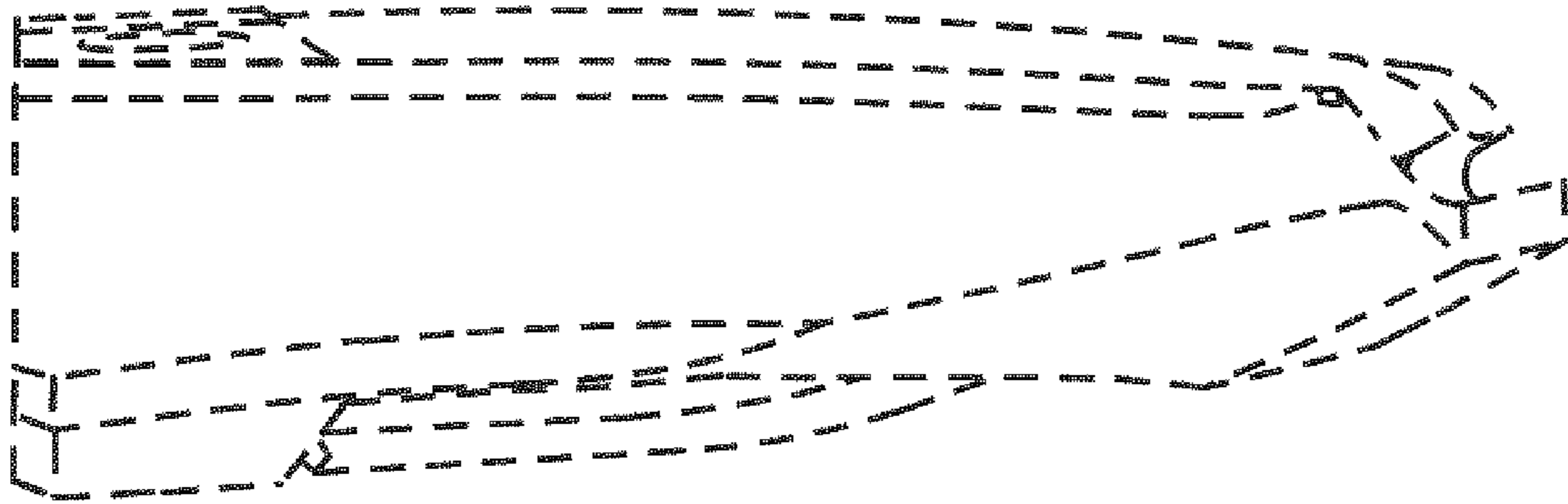


FIG. 9

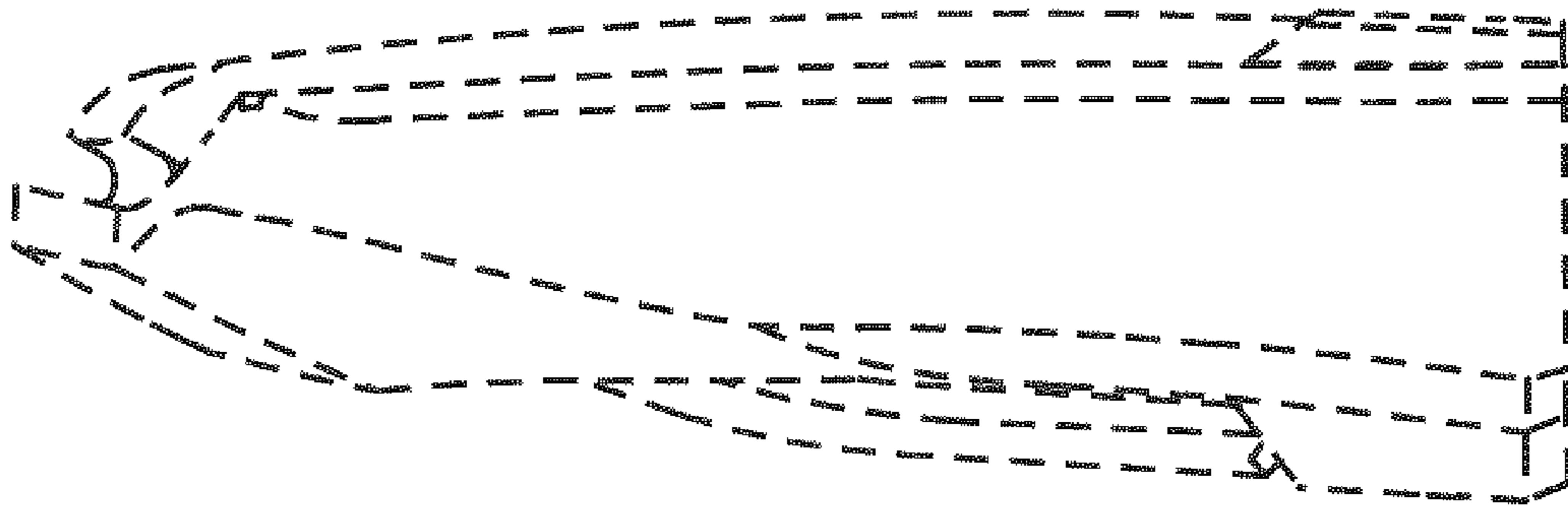


FIG. 10

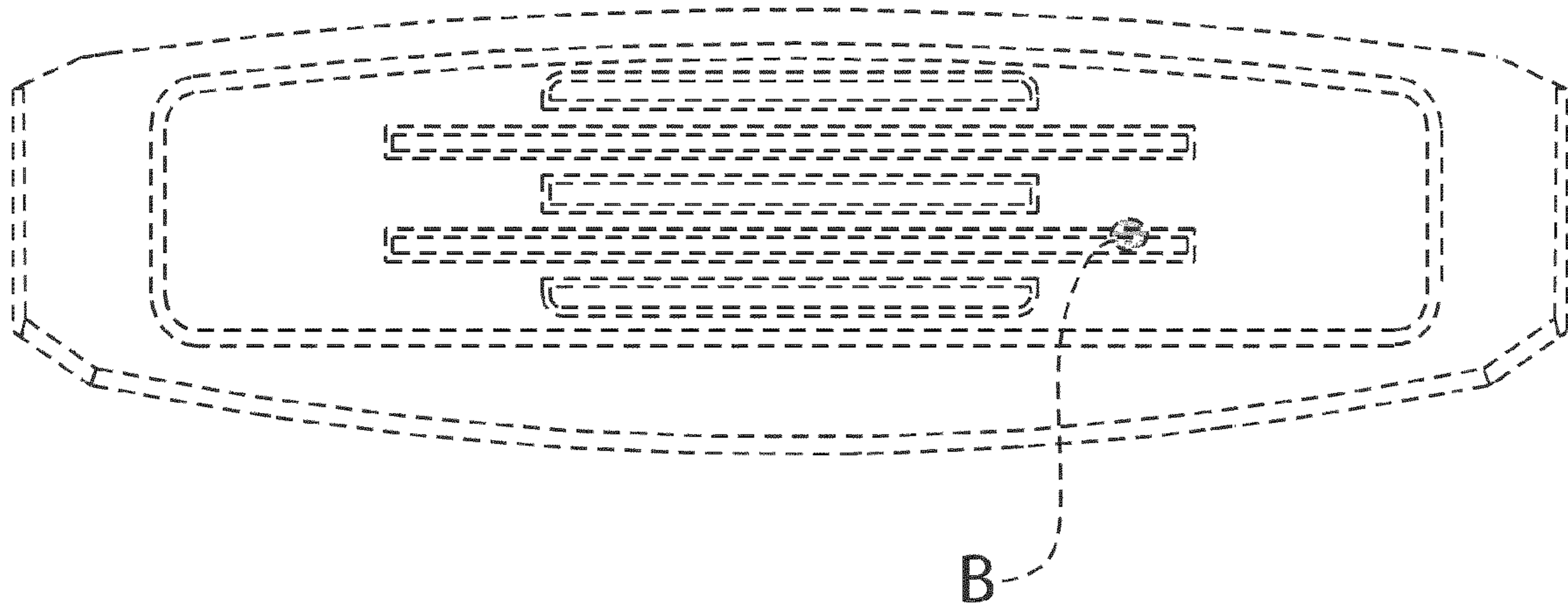


FIG. 11

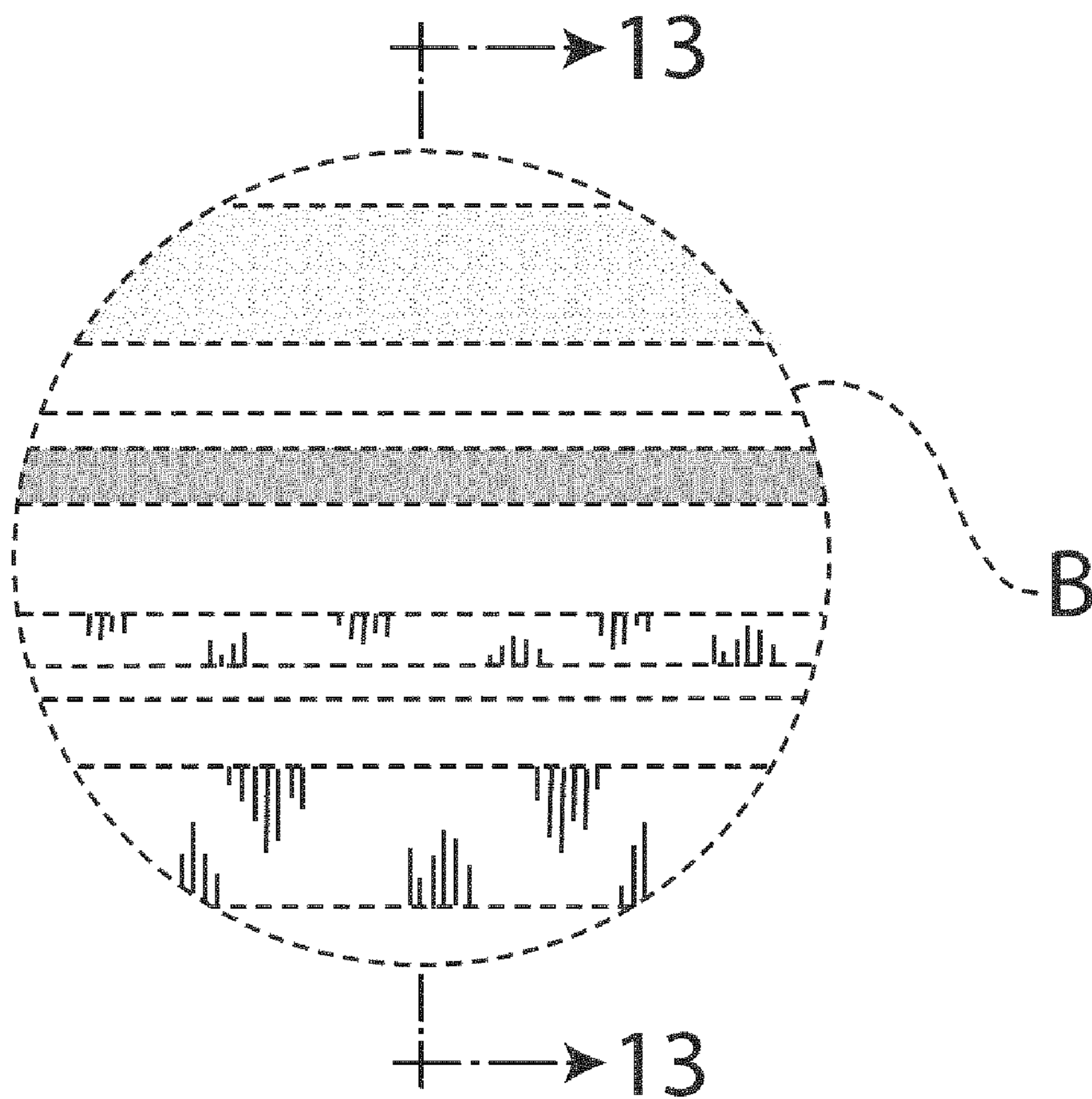


FIG. 12

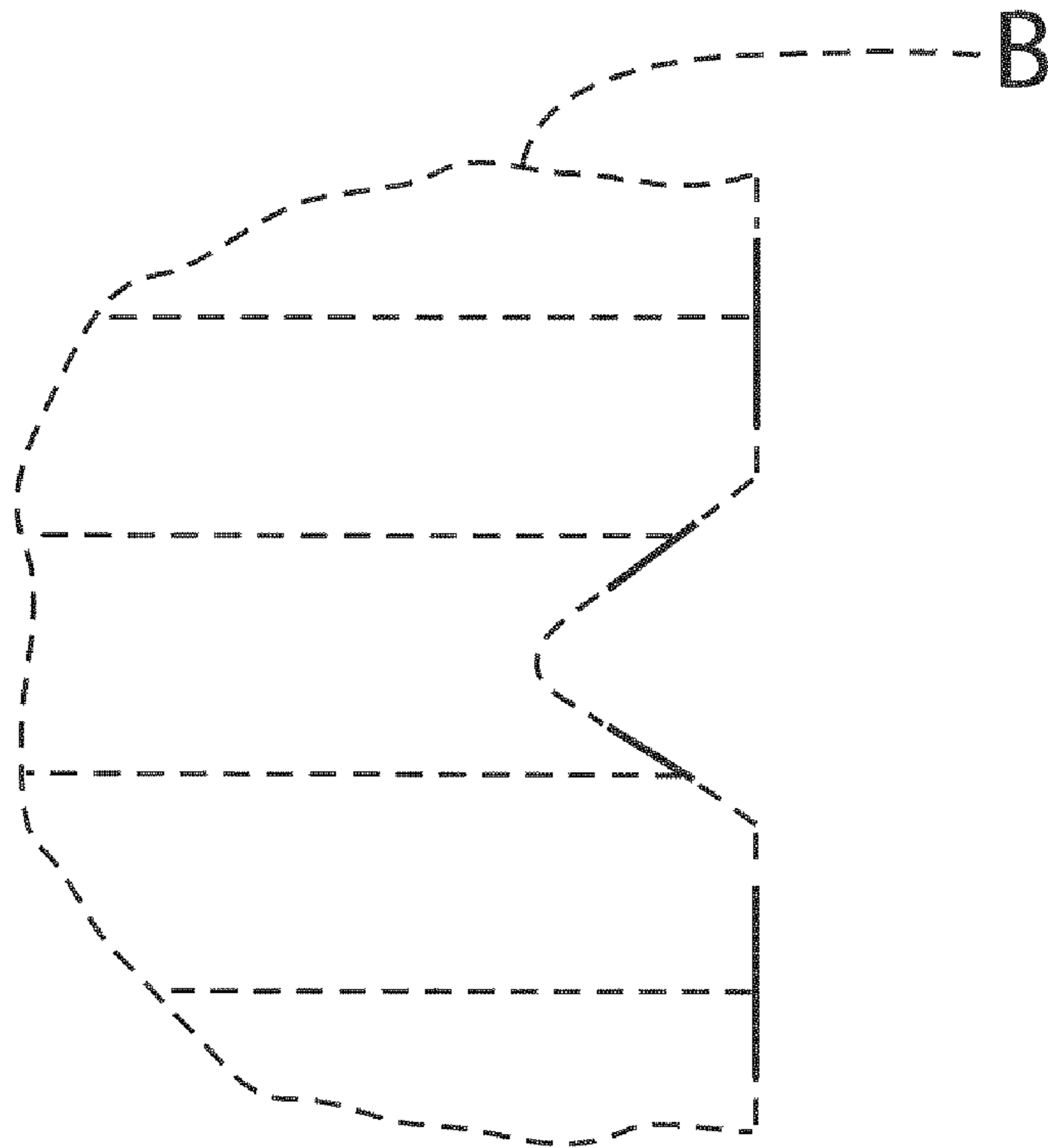


FIG. 13

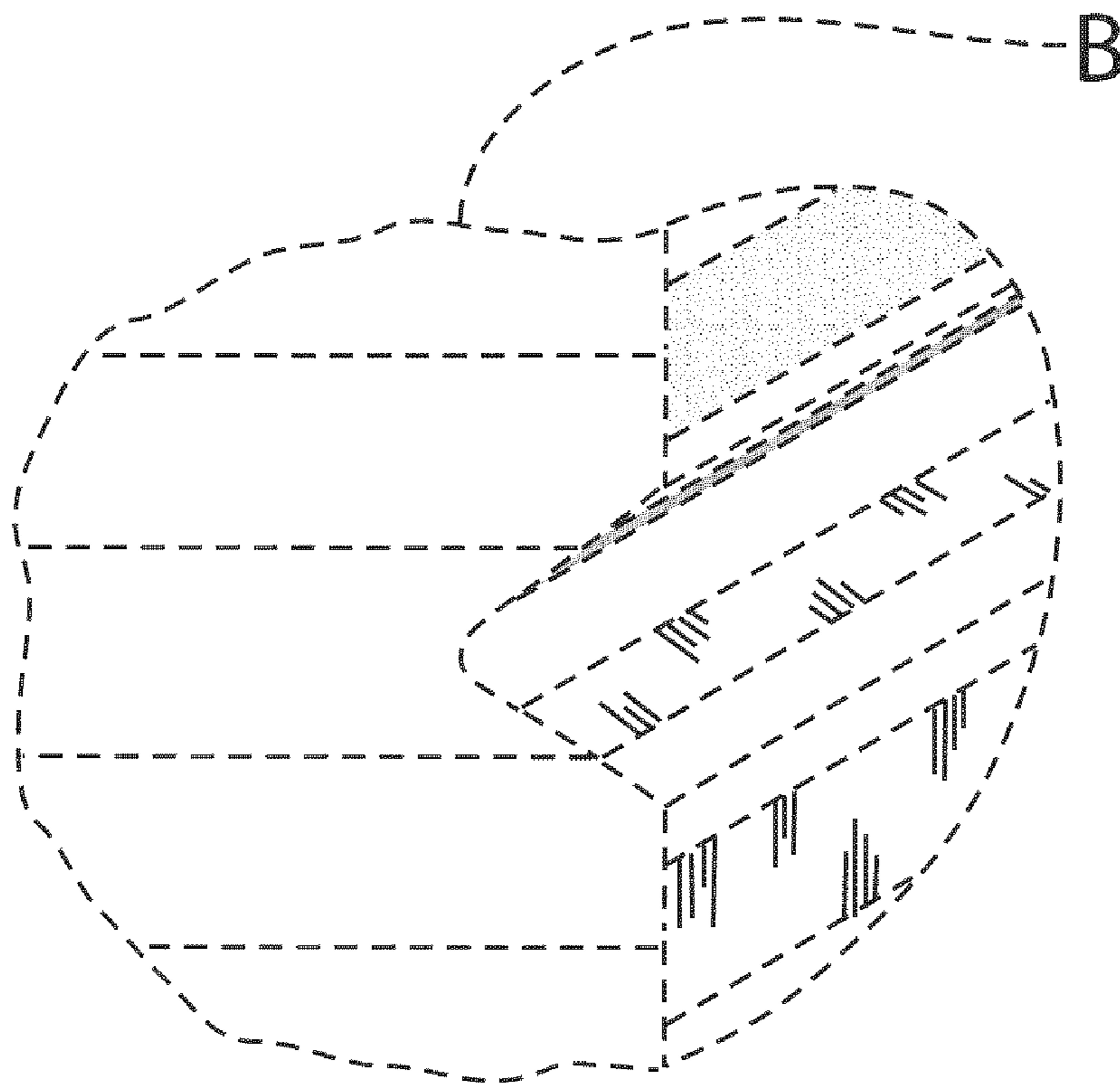


FIG. 14

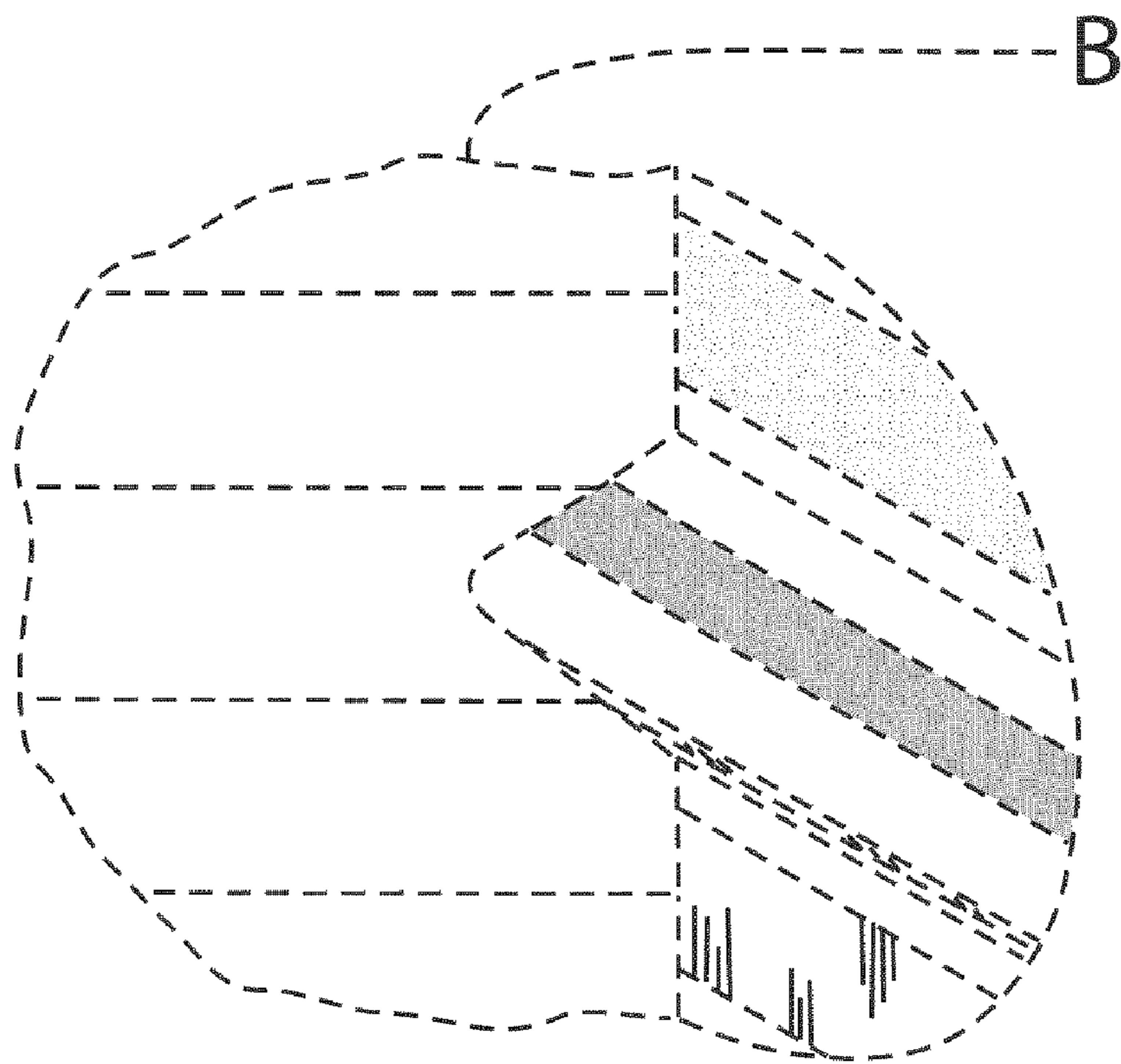


FIG. 15

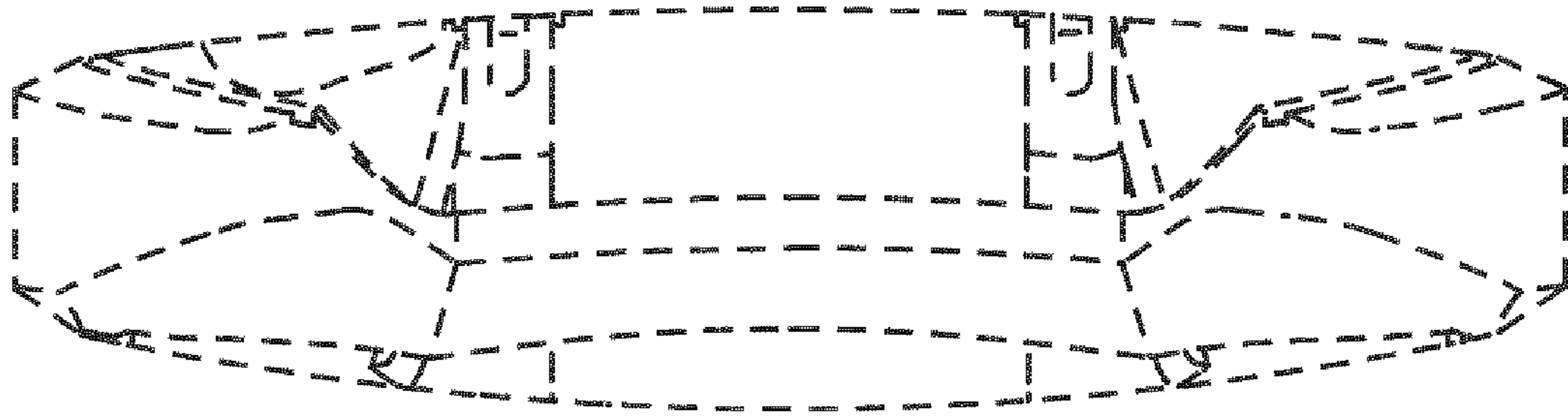


FIG. 16

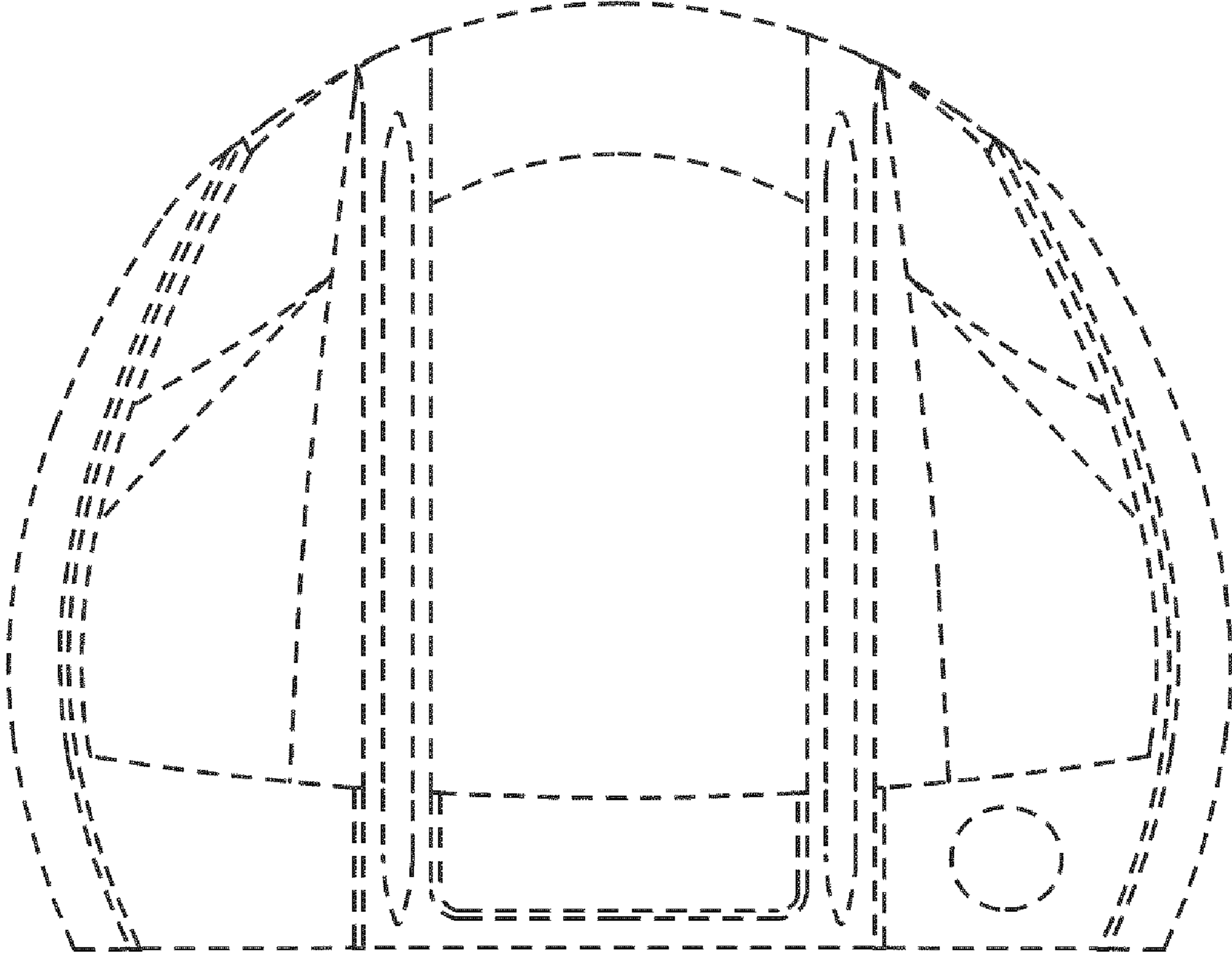


FIG. 17

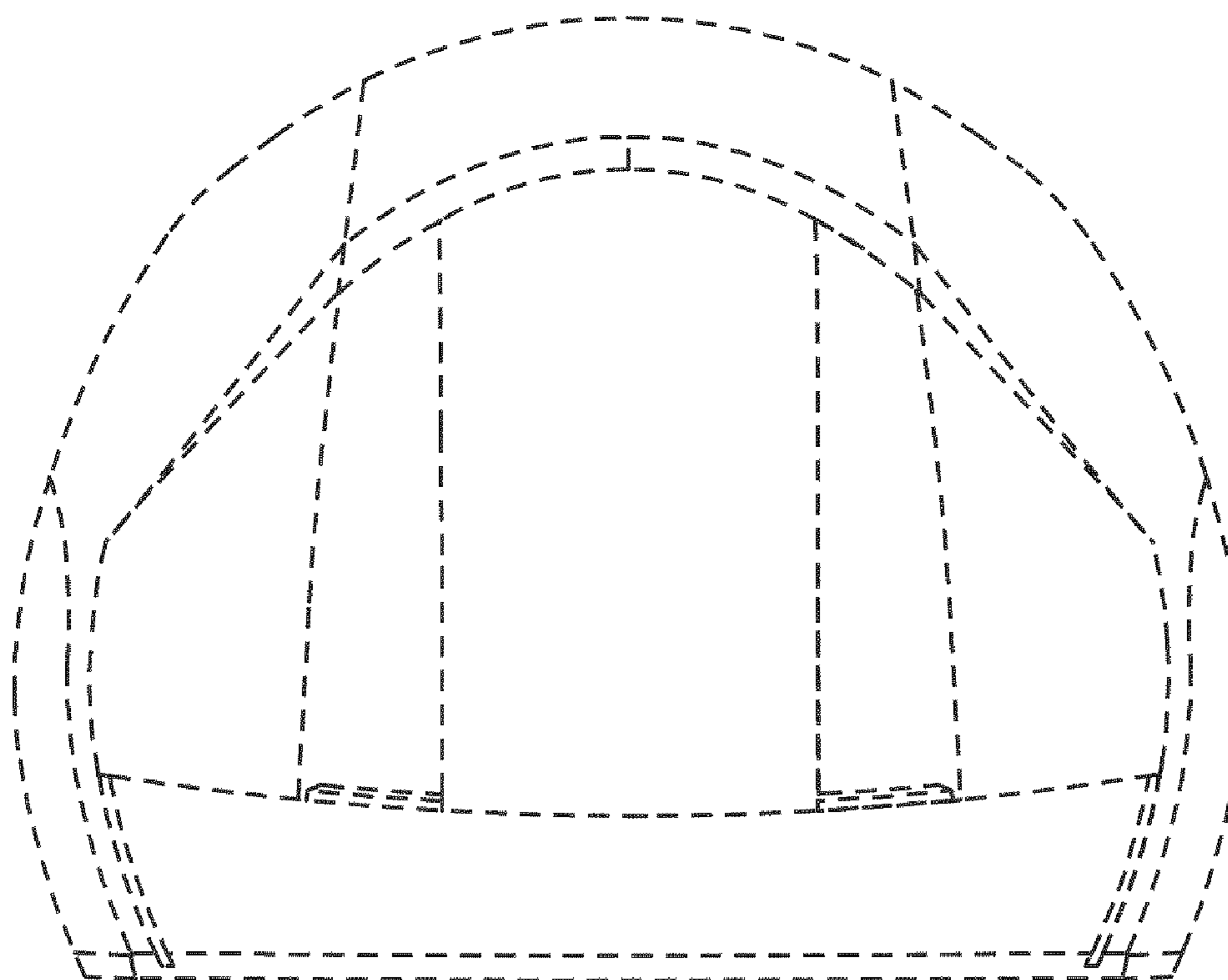


FIG. 18

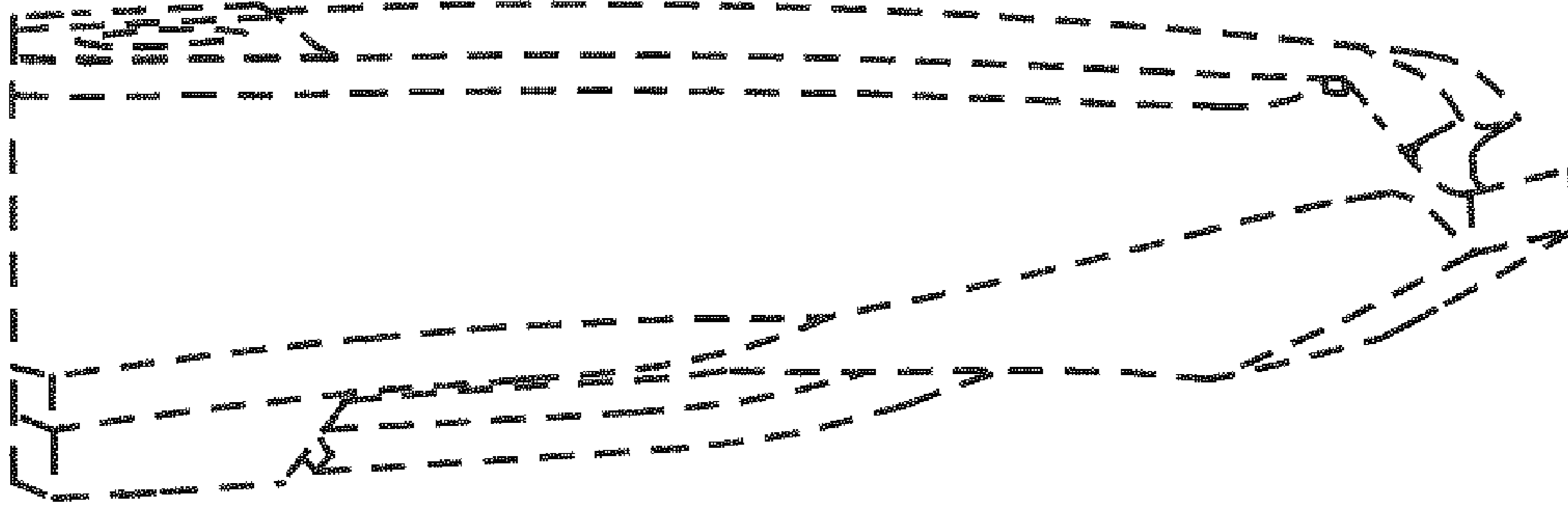


FIG. 19

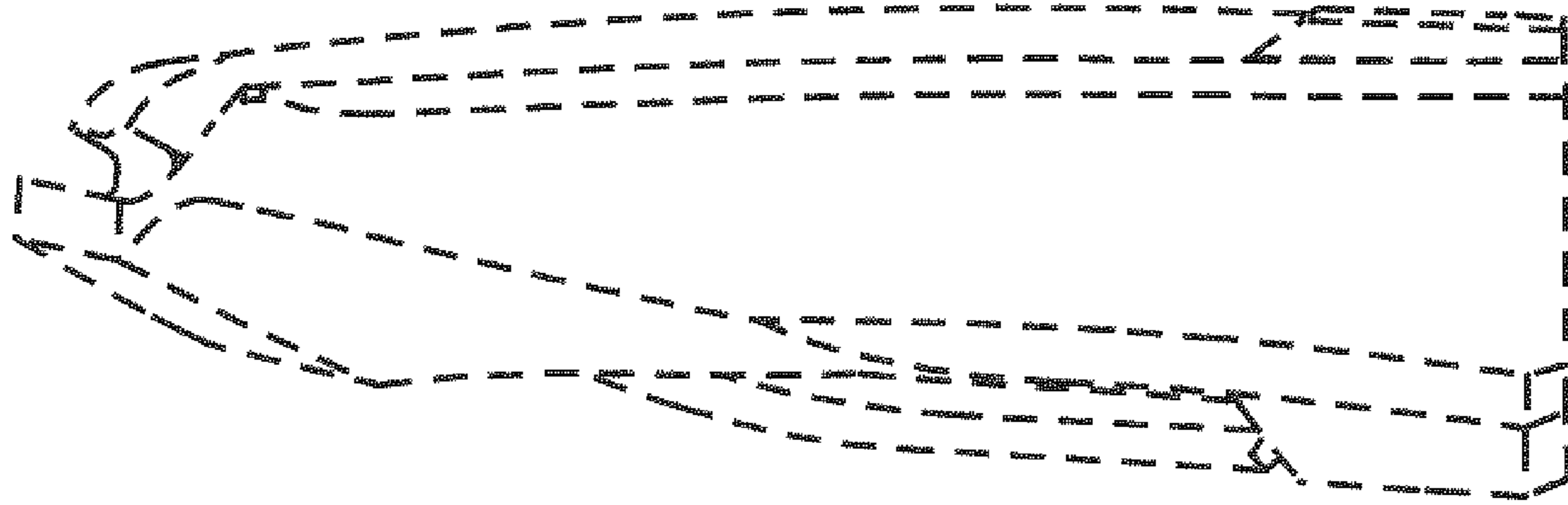


FIG. 20