



US00D606146S

(12) **United States Design Patent**
Gedeon

(10) **Patent No.:** **US D606,146 S**
(45) **Date of Patent:** **** Dec. 15, 2009**

(54) **SHAFT GRIP COMBINATION FOR A PUTTER**

(76) Inventor: **Robert J. Gedeon**, 2906 Eastwind Dr.,
Amelia Island, FL (US) 32034

(**) Term: **14 Years**

(21) Appl. No.: **29/310,556**

(22) Filed: **Aug. 27, 2008**

Related U.S. Application Data

(62) Division of application No. 29/229,773, filed on May 12, 2005, now Pat. No. Des. 540,900, and a division of application No. 29/271,621, filed on Jan. 24, 2007, now Pat. No. Des. 579,069.

(51) **LOC (9) Cl.** **21-02**

(52) **U.S. Cl.** **D21/757**

(58) **Field of Classification Search** D21/756-757;
473/300-303, 316-323

See application file for complete search history.

(56) **References Cited**

U.S. PATENT DOCUMENTS

649,146	A *	5/1900	Tice	473/322
1,930,204	A *	10/1933	Judd et al.	473/309
2,018,723	A *	10/1935	Hutchison	473/315
2,150,737	A *	3/1939	Chittick	473/315
5,545,094	A *	8/1996	Hsu	473/317
5,653,644	A *	8/1997	Jaekel	473/303
5,749,798	A *	5/1998	Kuebler et al.	473/549

6,752,730	B1 *	6/2004	Brine et al.	473/513
6,863,618	B2 *	3/2005	Perry	473/242
D504,166	S *	4/2005	Bellefleur et al.	D21/757
D505,986	S *	6/2005	Bamber	D21/757
D522,079	S *	5/2006	Healer	D21/757
D534,227	S *	12/2006	Lee	D21/724
D540,900	S *	4/2007	Gedeon	D21/757
D556,281	S *	11/2007	Bamber	D21/757
D579,069	S *	10/2008	Gedeon	D21/757

* cited by examiner

Primary Examiner—Mitchell I Siegel

(74) *Attorney, Agent, or Firm*—Arthur G. Yeager

(57) **CLAIM**

I claim the ornamental design for a shaft grip combination for a putter, as shown and described.

DESCRIPTION

FIG. 1 is a perspective view of a shaft grip combination for a putter, the broken away section shown for ease of illustration;

FIG. 2 is a reduced front elevational view of FIG. 1;

FIG. 3 is another reduced front elevational view of FIG. 1;

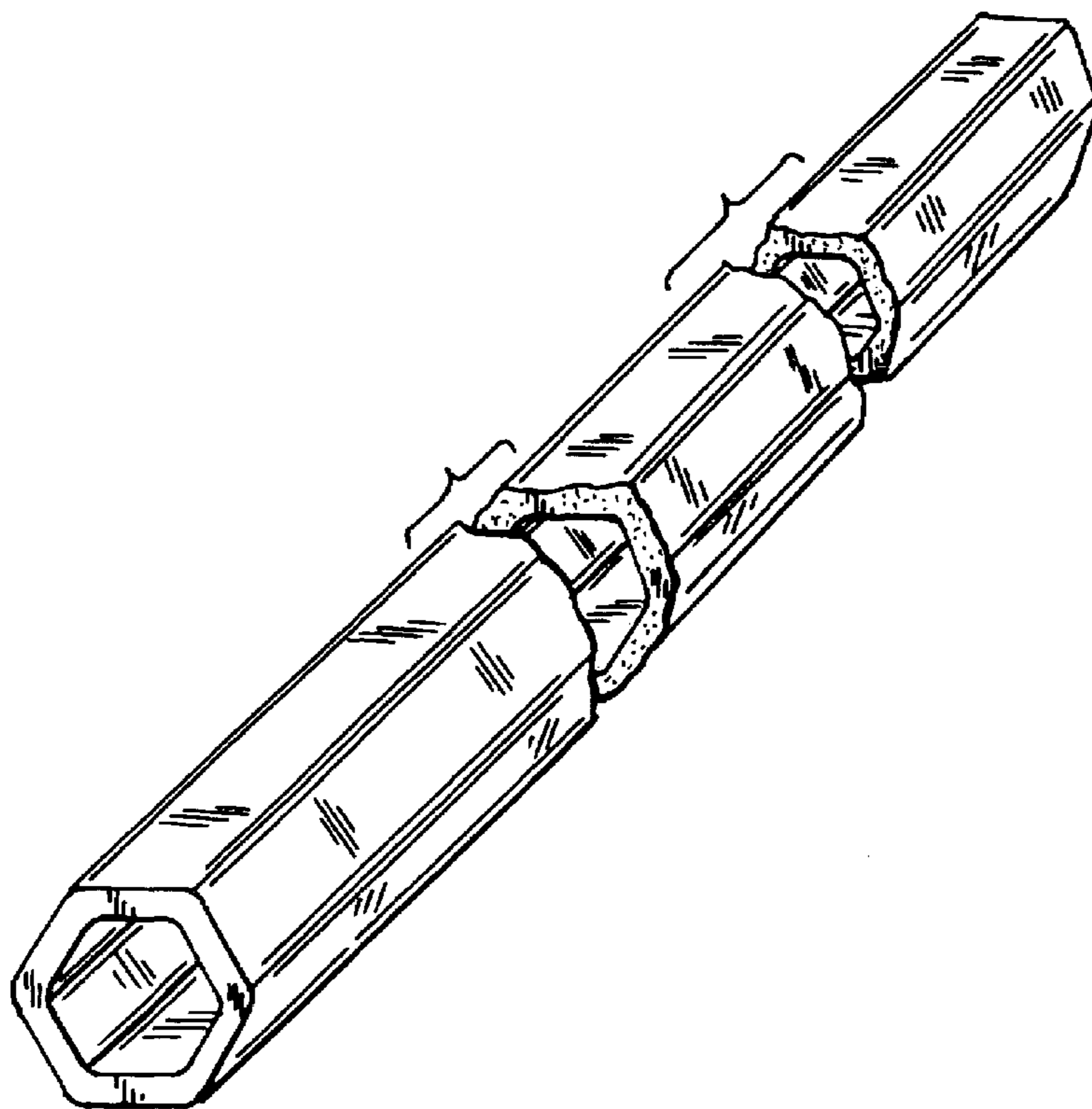
FIG. 4 is a side elevational view of FIG. 1;

FIG. 5 is a top plan view of FIG. 1; and,

FIG. 6 is a bottom plan view of FIG. 1.

The broken line showing is included for the purpose of illustration and forms no part of the claimed design.

1 Claim, 2 Drawing Sheets



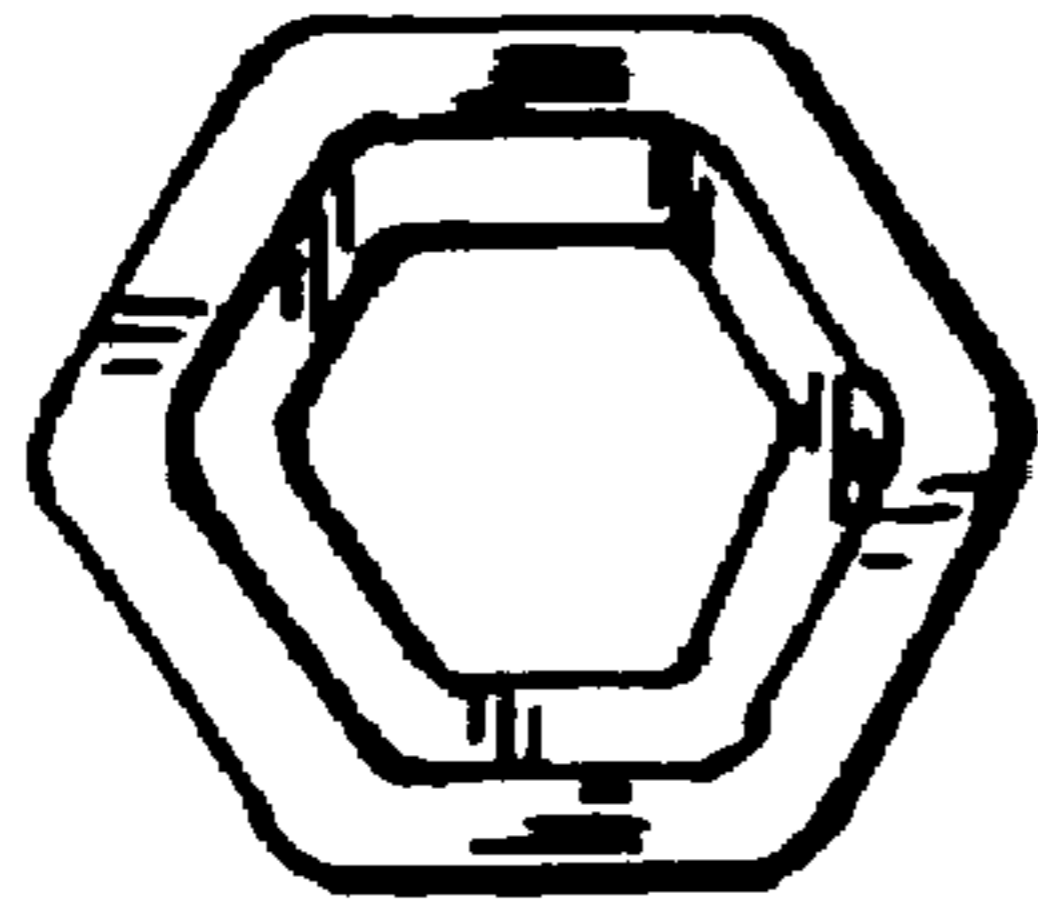


FIG. 5

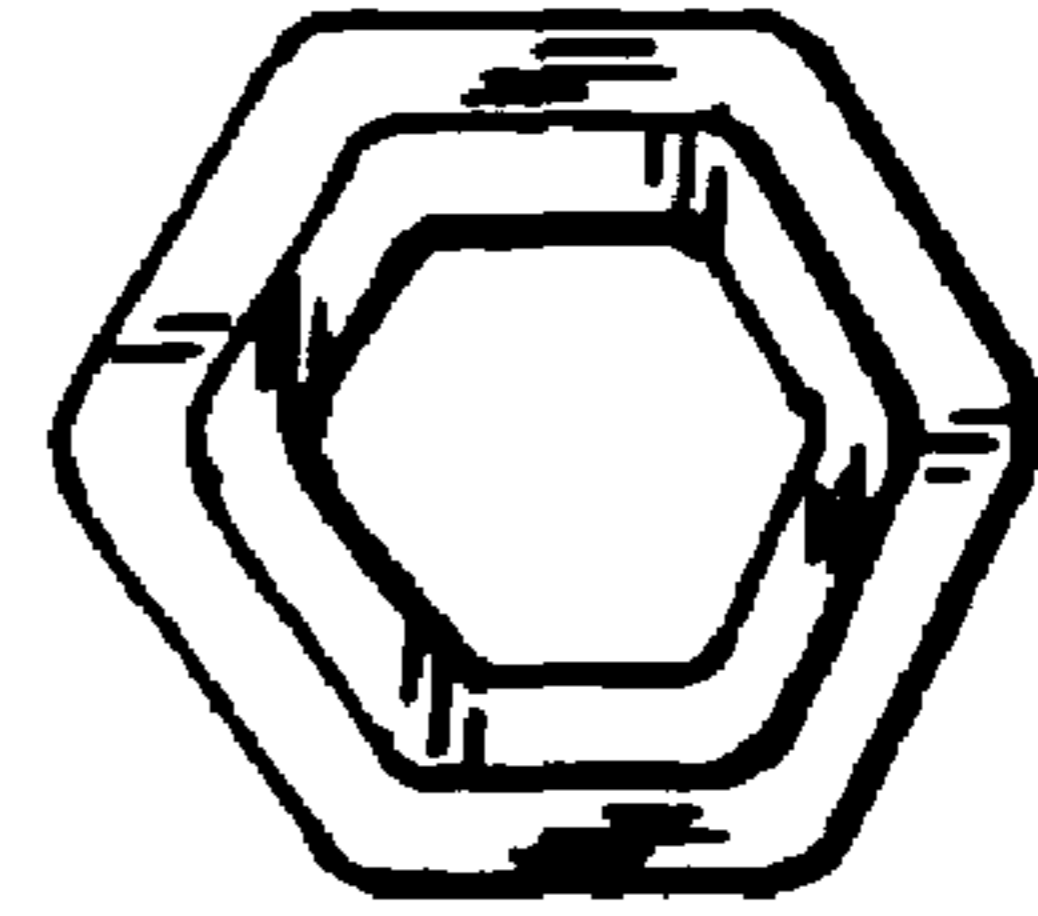


FIG. 6

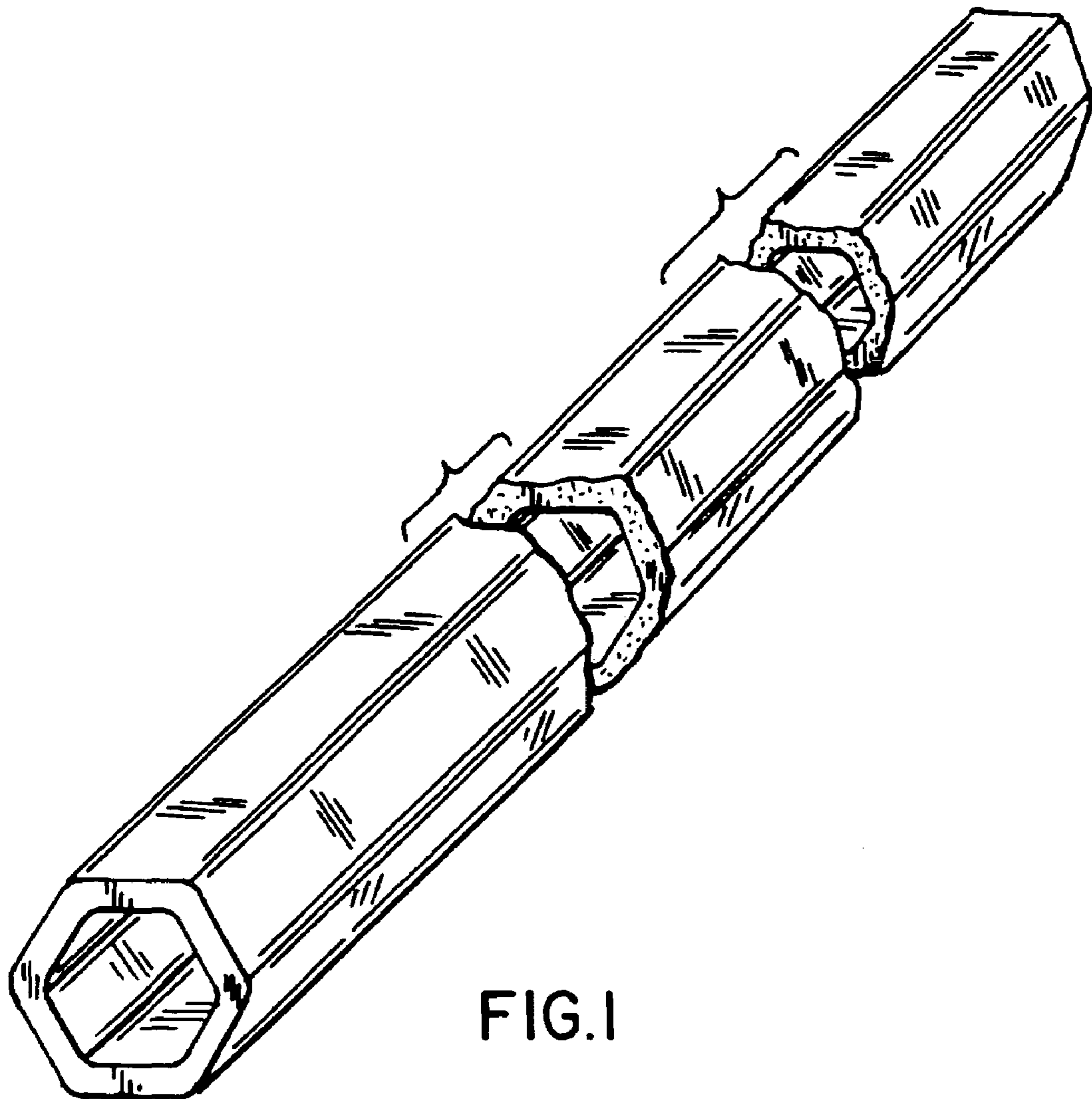


FIG. 1

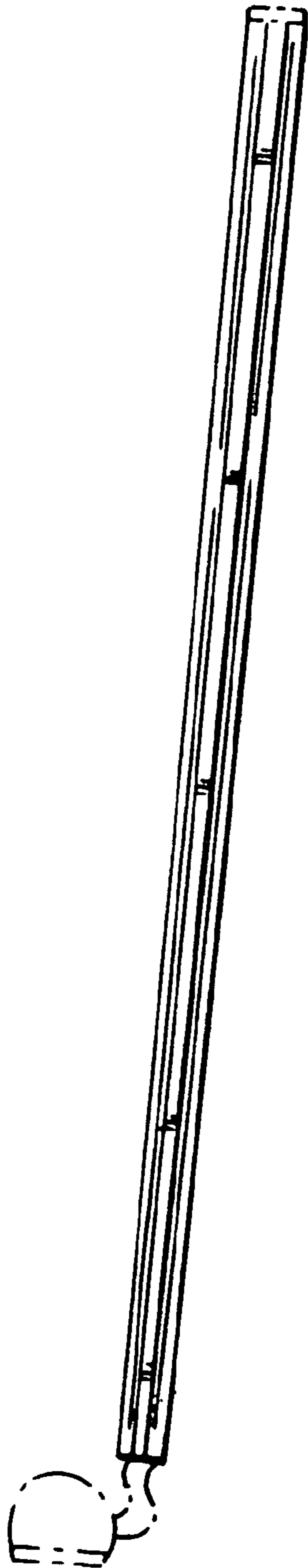


FIG. 2

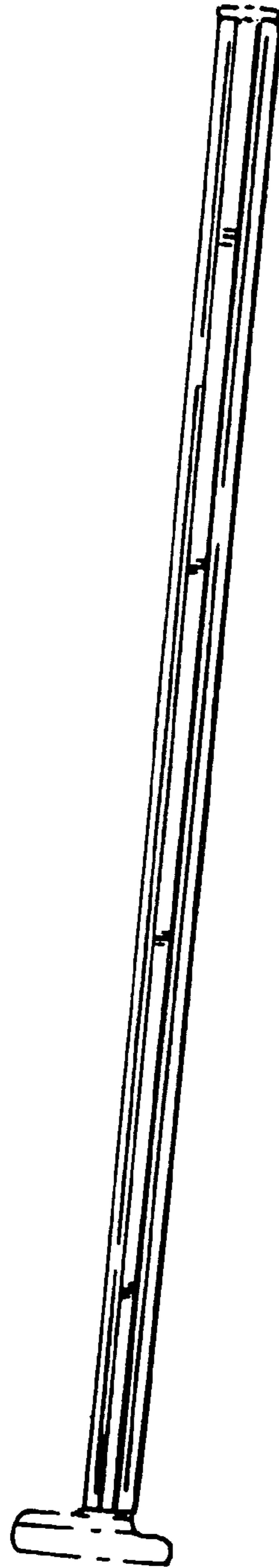


FIG. 3

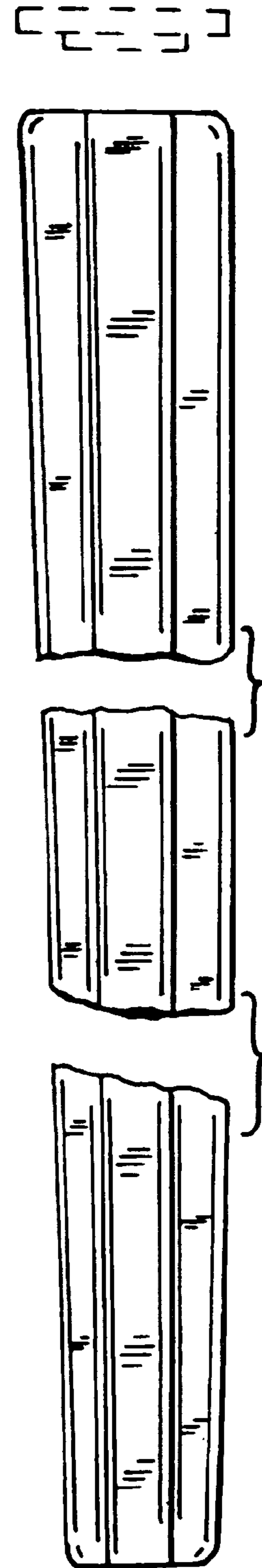


FIG. 4