



US00D606143S

(12) **United States Design Patent**
Ramsauer

(10) **Patent No.:** **US D606,143 S**

(45) **Date of Patent:** **** Dec. 15, 2009**

(54) **GOLF PUTTER**

(75) Inventor: **Dieter Ramsauer**, Max-Klein-Strasse
10, 58332, Schwelm (DE) D-58332

(73) Assignee: **Dieter Ramsauer**, Schwelm (DE)

(**) Term: **14 Years**

(21) Appl. No.: **29/332,166**

(22) Filed: **Feb. 10, 2009**

(30) **Foreign Application Priority Data**

Aug. 11, 2008 (EM) 000985593-0005

(51) **LOC (9) Cl.** **21-02**

(52) **U.S. Cl.** **D21/743**

(58) **Field of Classification Search** D21/736-746;
473/324-331, 340-341, 251-256
See application file for complete search history.

(56) **References Cited**

U.S. PATENT DOCUMENTS

| | | | | |
|--------------|---------|---------------|-------|---------|
| D448,437 S * | 9/2001 | Colucci | | D21/736 |
| D486,540 S * | 2/2004 | Bettinardi | | D21/738 |
| D486,541 S * | 2/2004 | Bettinardi | | D21/738 |
| D497,401 S * | 10/2004 | Zimmerman | | D21/736 |
| D500,539 S * | 1/2005 | Holloway | | D21/736 |
| D502,518 S * | 3/2005 | Smart | | D21/736 |
| D509,273 S * | 9/2005 | Morris et al. | | D21/742 |

| | | | | |
|--------------|---------|---------|-------|---------|
| D528,177 S * | 9/2006 | Grace | | D21/743 |
| D528,616 S * | 9/2006 | Grace | | D21/743 |
| D529,109 S * | 9/2006 | Jones | | D21/743 |
| D531,242 S * | 10/2006 | Adams | | D21/746 |
| D537,137 S * | 2/2007 | Sheehan | | D21/746 |
| D538,865 S * | 3/2007 | Cameron | | D21/736 |
| D542,869 S * | 5/2007 | Adams | | D21/742 |

* cited by examiner

Primary Examiner—Mitchell I Siegel

(74) *Attorney, Agent, or Firm*—Reed Smith LLP

(57) **CLAIM**

The ornamental design for a golf putter, as illustrated and described herein.

DESCRIPTION

FIG. 1 illustrates a top view of the golf putter in accordance with the invention.

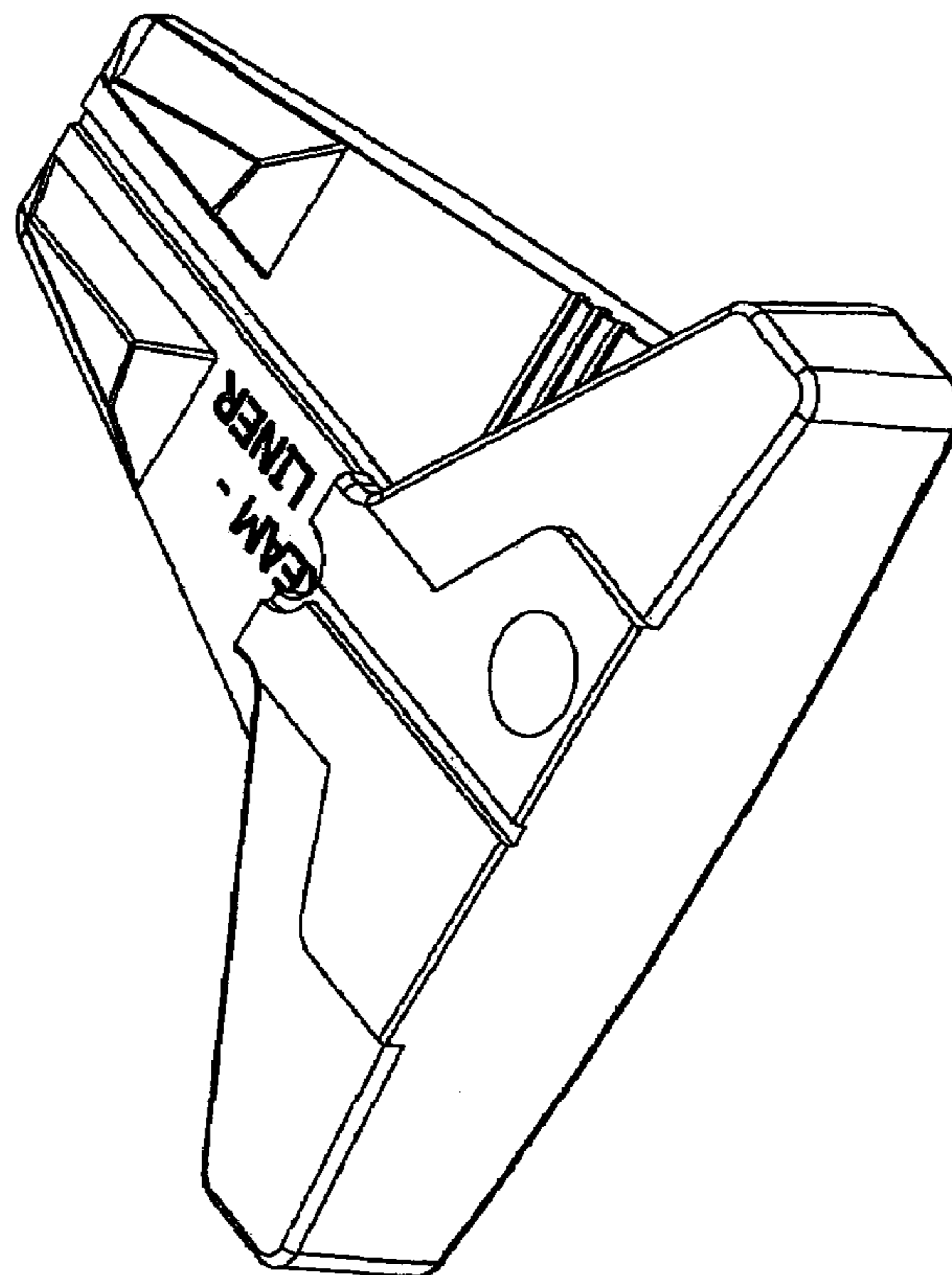
FIG. 2 illustrates a first perspective view of the golf putter in accordance with the invention.

FIG. 3 illustrates a second perspective view of the golf putter in accordance with the invention.

FIG. 4 illustrates a rear elevation view of the golf putter in accordance with the invention; and,

FIG. 5 illustrates a side elevation view of the golf putter in accordance with the invention.

1 Claim, 2 Drawing Sheets



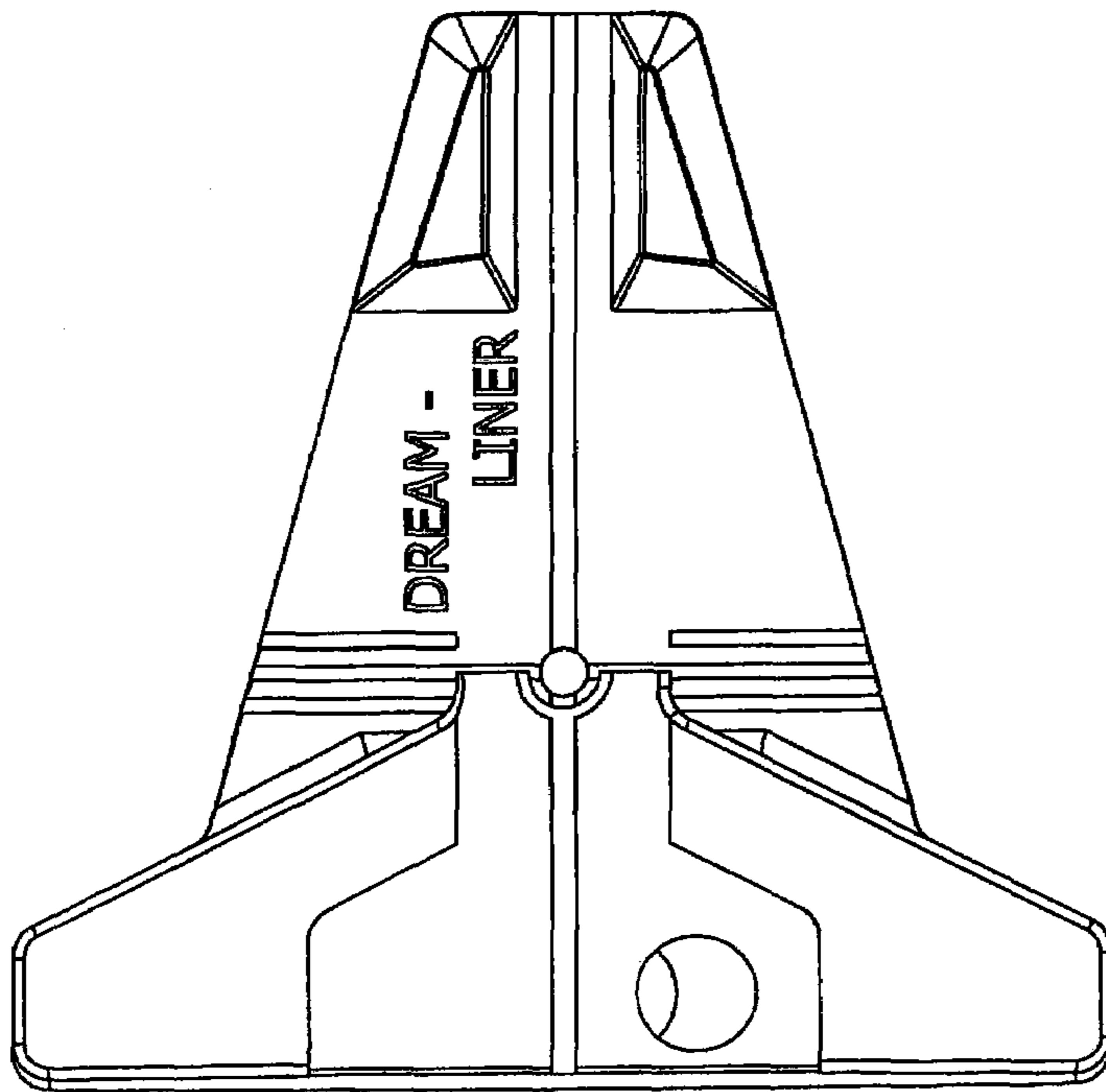


Figure 1

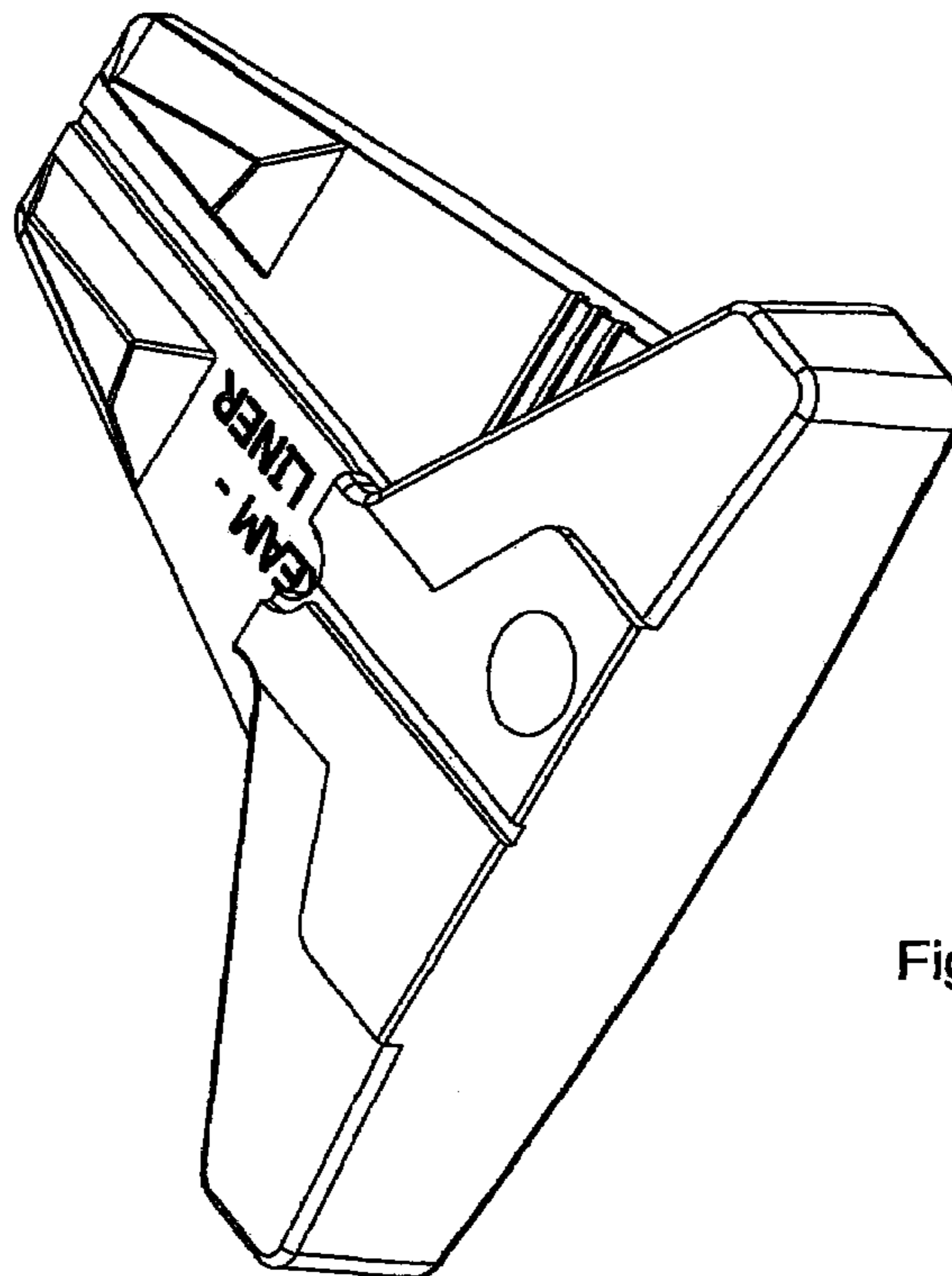


Figure 2

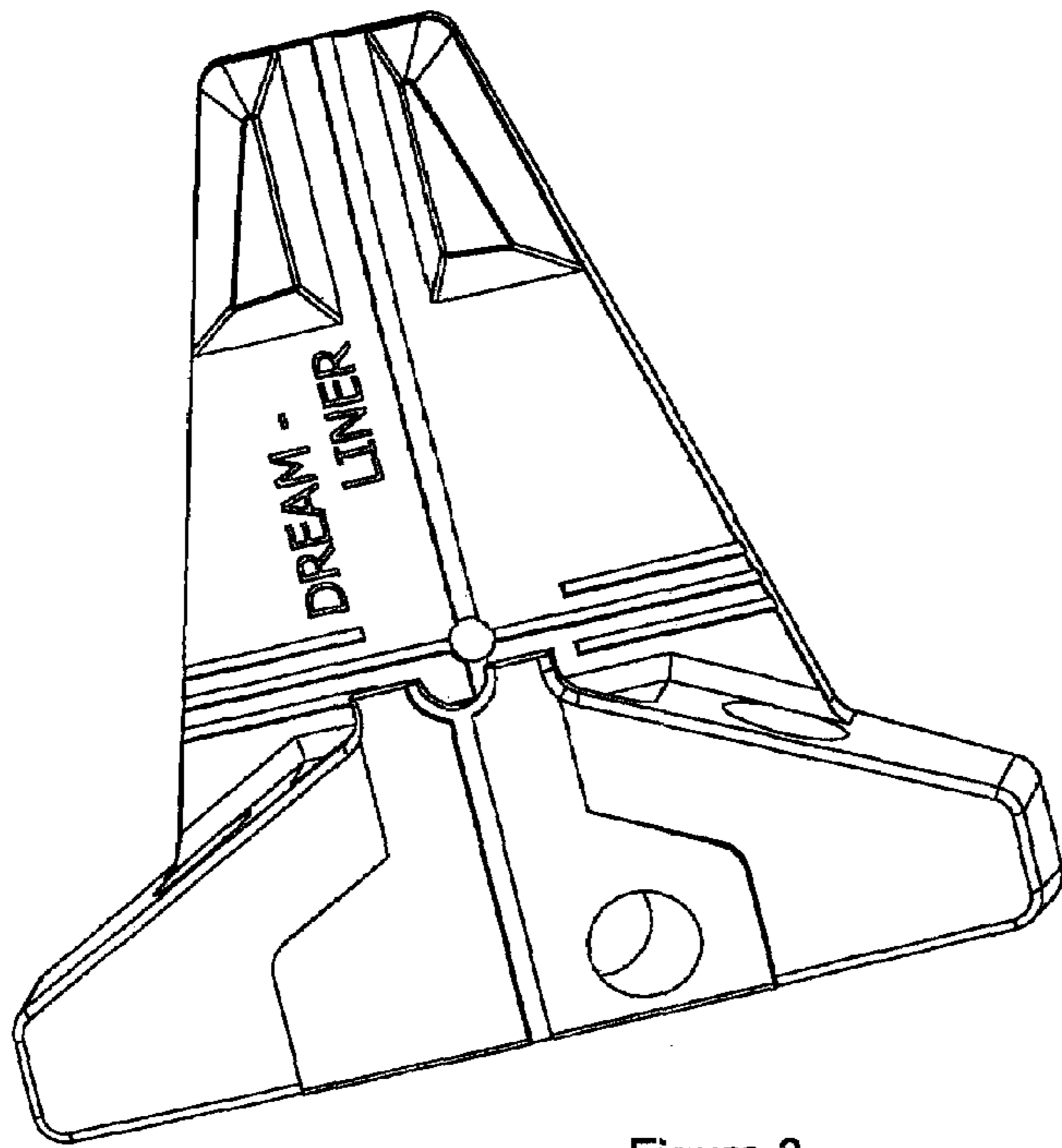


Figure 3

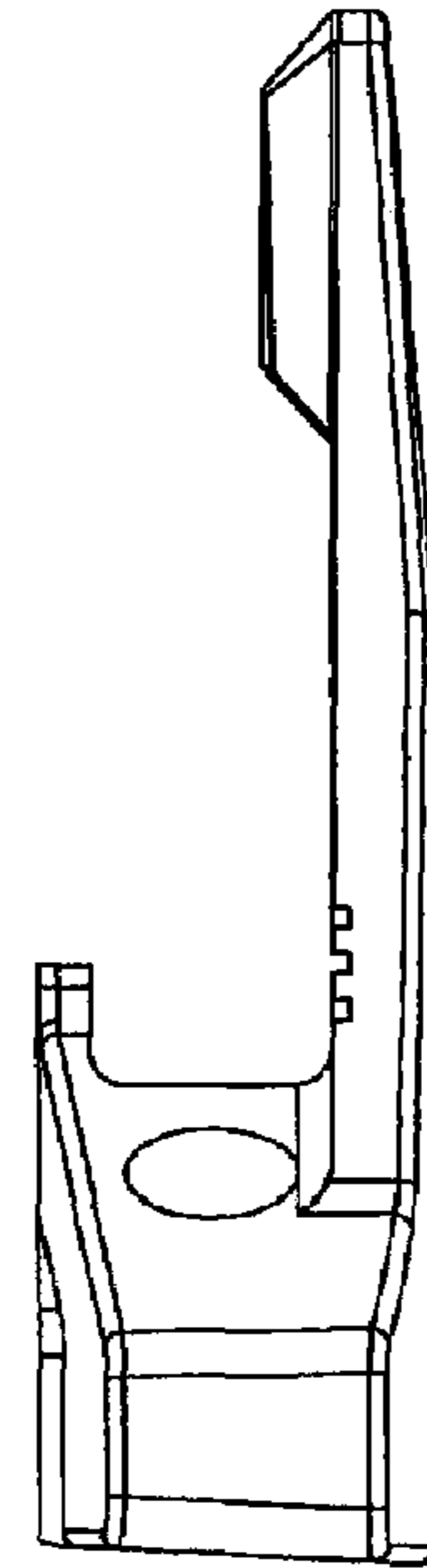


Figure 5

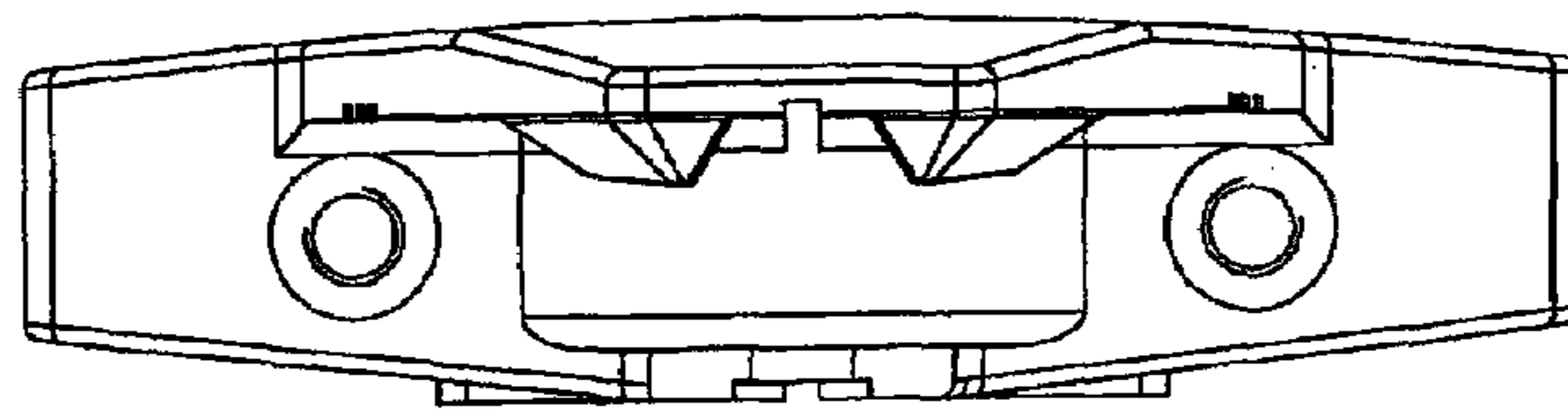


Figure 4