



US00D606142S

(12) **United States Design Patent**
Ramsauer

(10) **Patent No.:** **US D606,142 S**

(45) **Date of Patent:** **** Dec. 15, 2009**

(54) **GOLF PUTTER**

(75) Inventor: **Dieter Ramsauer**, Max-Klein-Strasse
10, 58332, Schwelm (DE) D-58332

(73) Assignee: **Dieter Ramsauer**, Schwelm (DE)

(**) Term: **14 Years**

(21) Appl. No.: **29/332,164**

(22) Filed: **Feb. 10, 2009**

(30) **Foreign Application Priority Data**

Aug. 11, 2008 (EM) 000985593

(51) **LOC (9) Cl.** **21-02**

(52) **U.S. Cl.** **D21/743**

(58) **Field of Classification Search** D21/736-746;
473/324-331, 340-341, 251-256

See application file for complete search history.

(56) **References Cited**

U.S. PATENT DOCUMENTS

D448,437 S *	9/2001	Colucci	D21/736
D486,540 S *	2/2004	Bettinardi	D21/738
D486,541 S *	2/2004	Bettinardi	D21/738
D497,401 S *	10/2004	Zimmerman	D21/736
D500,539 S *	1/2005	Holloway	D21/736
D502,518 S *	3/2005	Smart	D21/736
D509,273 S *	9/2005	Morris et al.	D21/742

D528,177 S *	9/2006	Grace	D21/743
D528,616 S *	9/2006	Grace	D21/743
D529,109 S *	9/2006	Jones	D21/743
D531,242 S *	10/2006	Adams	D21/746
D537,137 S *	2/2007	Sheehan	D21/746
D538,865 S *	3/2007	Cameron	D21/736
D542,869 S *	5/2007	Adams	D21/742

* cited by examiner

Primary Examiner—Mitchell I Siegel

(74) *Attorney, Agent, or Firm*—Reed Smith LLP

(57) **CLAIM**

The ornamental design for a golf putter, as illustrated and described herein.

DESCRIPTION

FIG. 1 illustrates a top view of the golf putter in accordance with the invention.

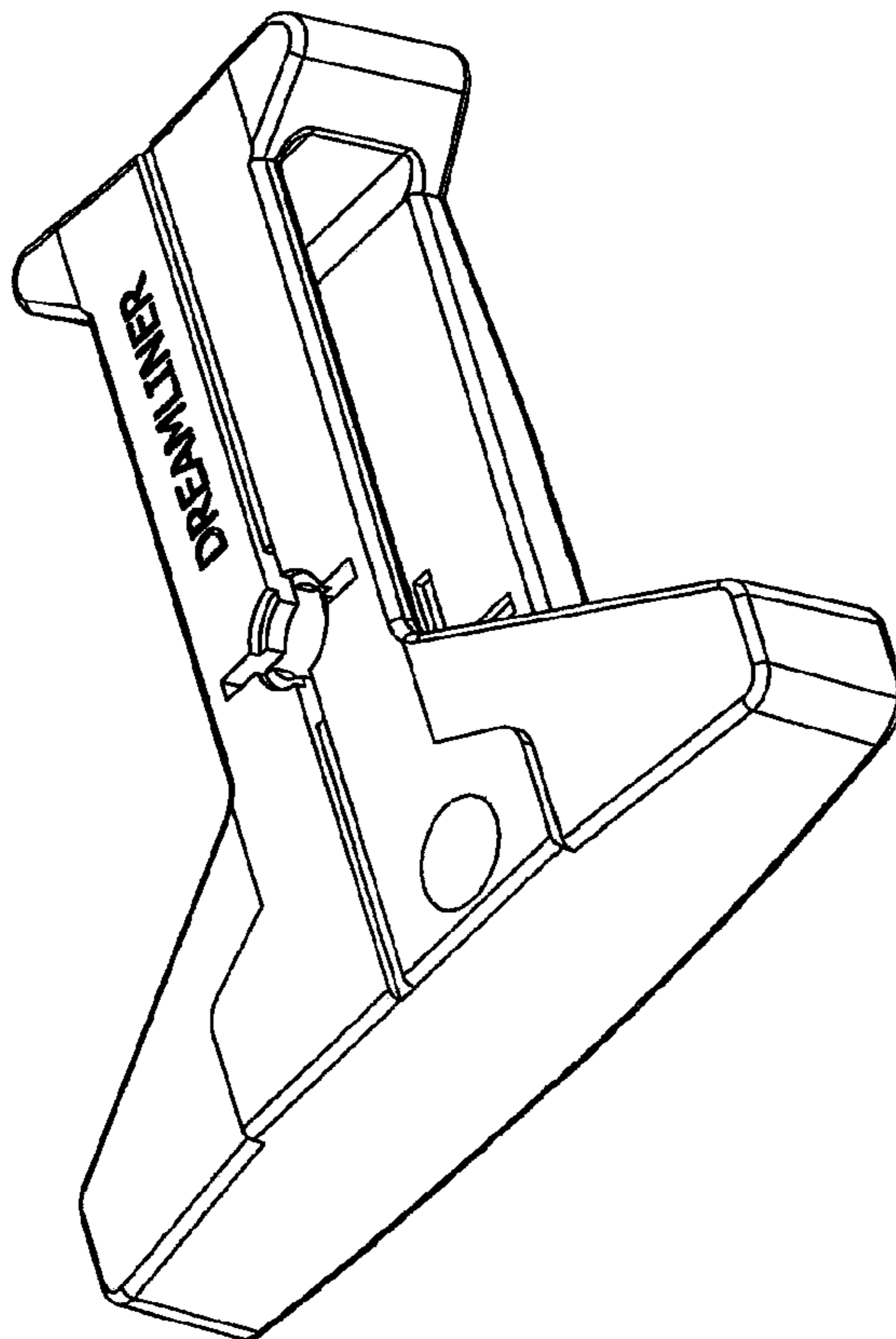
FIG. 2 illustrates a first perspective view of the golf putter in accordance with the invention.

FIG. 3 illustrates a second perspective view of the golf putter in accordance with the invention.

FIG. 4 illustrates a rear elevation view of the golf putter in accordance with the invention; and,

FIG. 5 illustrates a side elevation view of the golf putter in accordance with the invention.

1 Claim, 2 Drawing Sheets



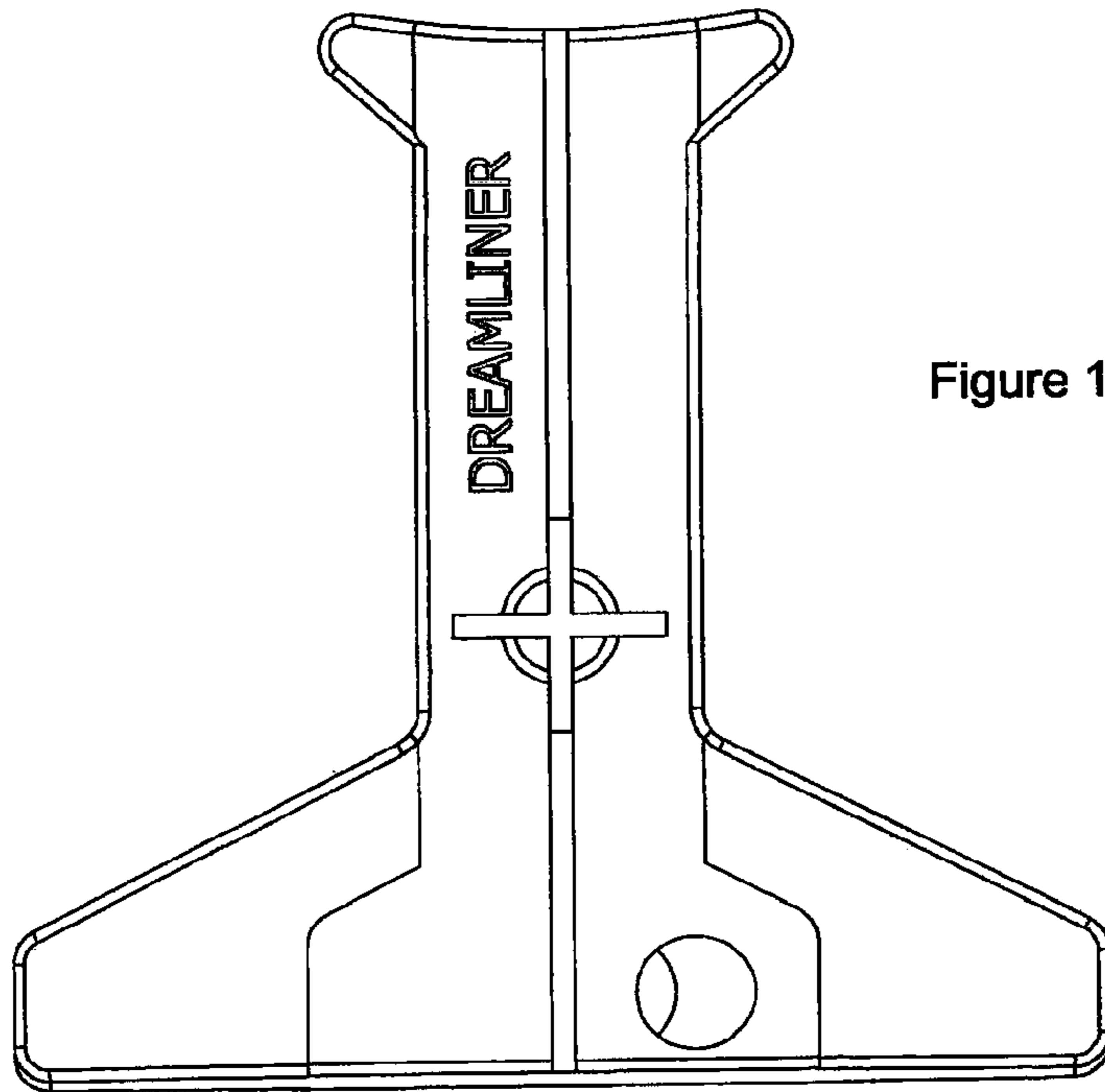


Figure 1

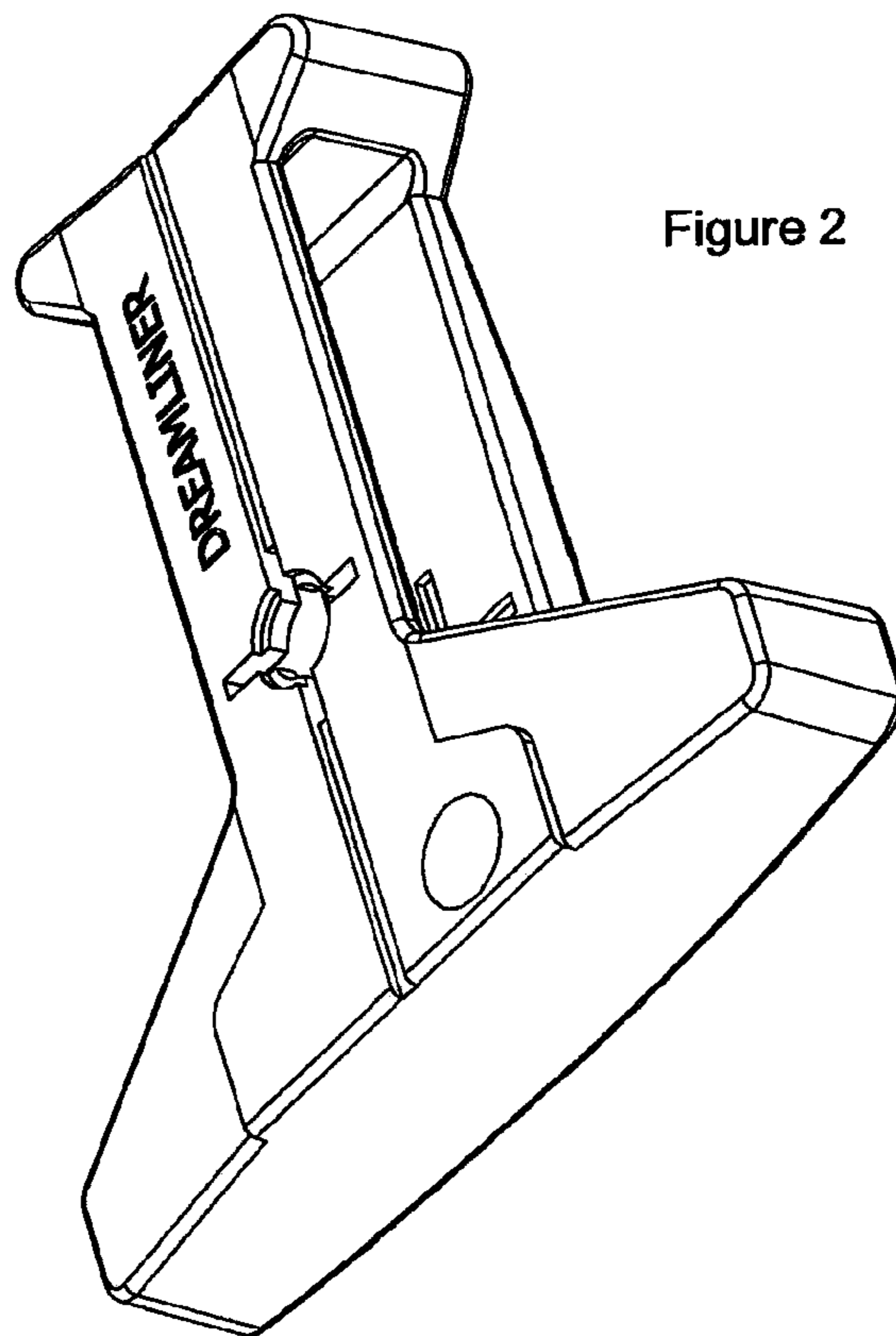


Figure 2

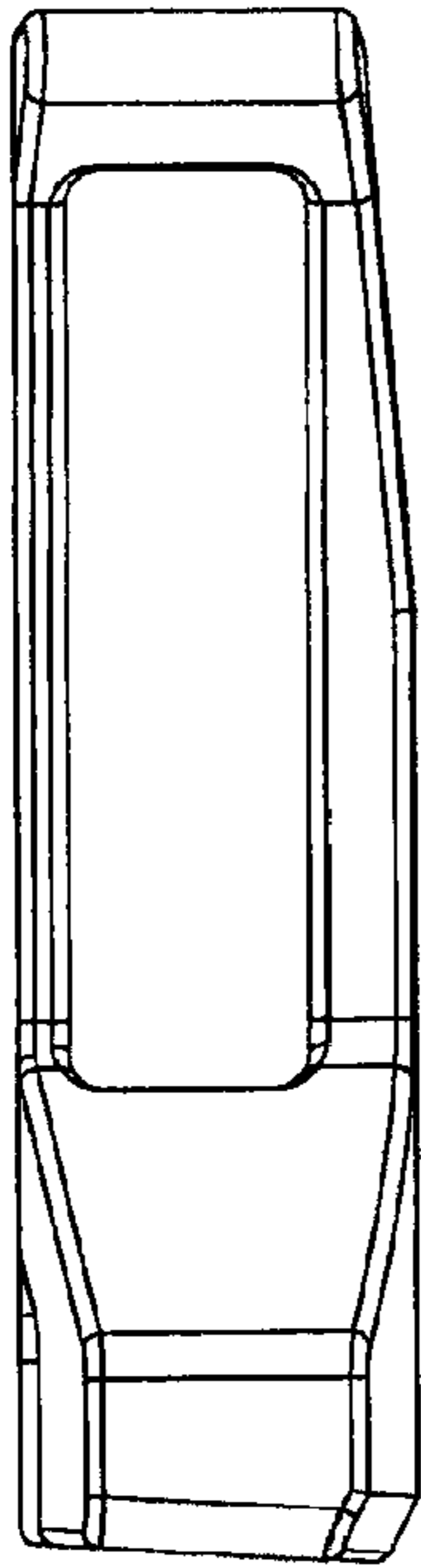


Figure 5

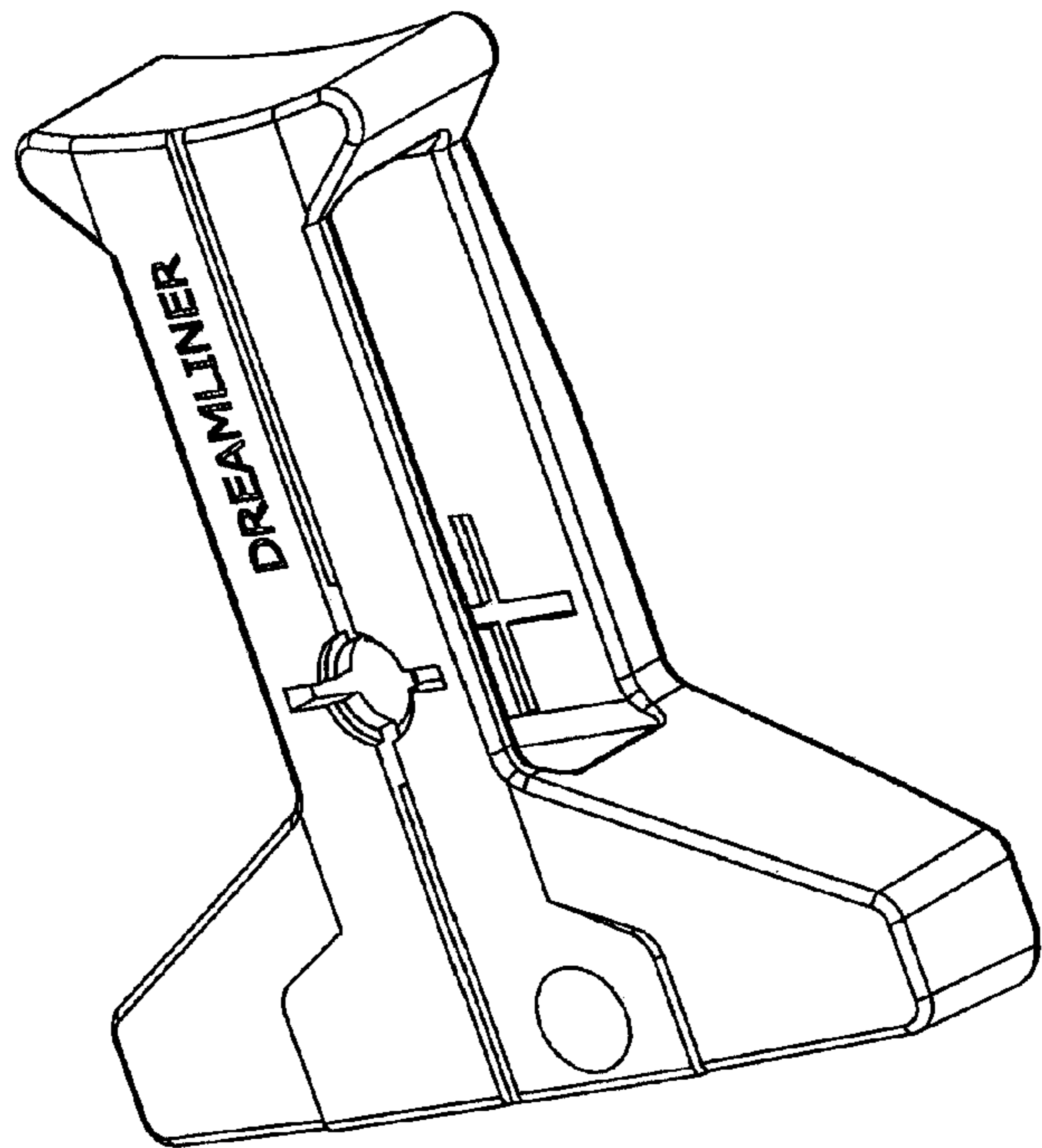


Figure 3

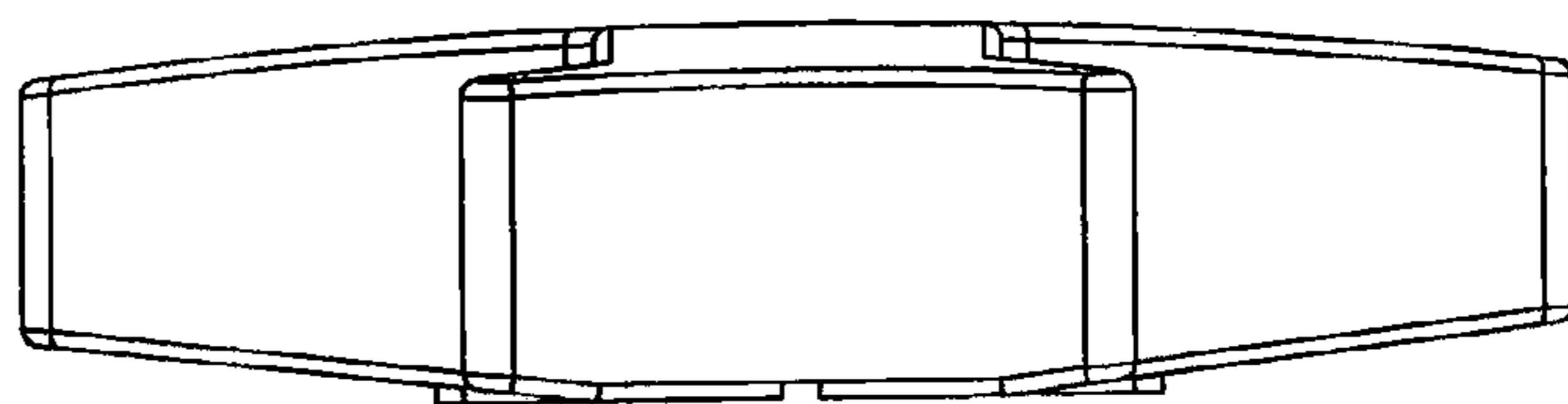


Figure 4