



US00D606139S

(12) **United States Design Patent**
Ines et al.

(10) **Patent No.:** **US D606,139 S**

(45) **Date of Patent:** **** *Dec. 15, 2009**

(54) **PUTTER HEAD**

(75) Inventors: **Marni D. Ines**, San Marcos, CA (US);
Steven D. Gray, Poway, CA (US);
Robert Nunez, San Diego, CA (US);
Craig Kevin Barez, Temecula, CA (US);
Sean Toulon, Vista, CA (US); **Thomas**
Olsavsky, Oceanside, CA (US); **Bill**
Price, Santa Ana, CA (US); **Paul M.**
Demkowski, San Diego, CA (US)

(73) Assignee: **Taylor Made Golf Company, Inc.**,
Carlsbad, CA (US)

(*) Notice: This patent is subject to a terminal disclaimer.

(**) Term: **14 Years**

(21) Appl. No.: **29/313,064**

(22) Filed: **Dec. 1, 2008**

Related U.S. Application Data

(63) Continuation-in-part of application No. 29/310,684,
filed on Aug. 29, 2008, now Pat. No. Des. 595,370.

(51) **LOC (9) Cl.** **21-02**

(52) **U.S. Cl.** **D21/736**

(58) **Field of Classification Search** D21/736-746;
473/324-331, 340-341

See application file for complete search history.

(56) **References Cited**

U.S. PATENT DOCUMENTS

D496,417 S 9/2004 Tang
D510,394 S 10/2005 Tang et al.
D520,584 S 5/2006 Karlsen

D521,582 S 5/2006 Souza et al.
D523,102 S 6/2006 Stites et al.
D538,364 S 3/2007 Frame et al.
D540,897 S 4/2007 Oldknow et al.
D541,362 S 4/2007 Oldknow
D542,872 S 5/2007 Oldknow
D542,873 S 5/2007 Oldknow
D565,137 S * 3/2008 Oldknow et al. D21/736
D569,460 S * 5/2008 Walker et al. D21/743
7,396,295 B1 7/2008 Frame et al.
D584,780 S * 1/2009 Ines et al. D21/746
D587,325 S * 2/2009 Solheim et al. D21/736
D587,326 S * 2/2009 Ines et al. D21/746

* cited by examiner

Primary Examiner—Mitchell I Siegel
(74) *Attorney, Agent, or Firm*—Klarquist Sparkman, LLP

(57) **CLAIM**

We claim the ornamental design for a putter head, as shown and described.

DESCRIPTION

FIG. 1 is a perspective view of a putter head, as viewed from the rear, above and one side, according to one embodiment.

FIG. 2 is a front elevation view of the putter head of FIG. 1.

FIG. 3 is a rear elevation view of the putter head of FIG. 1.

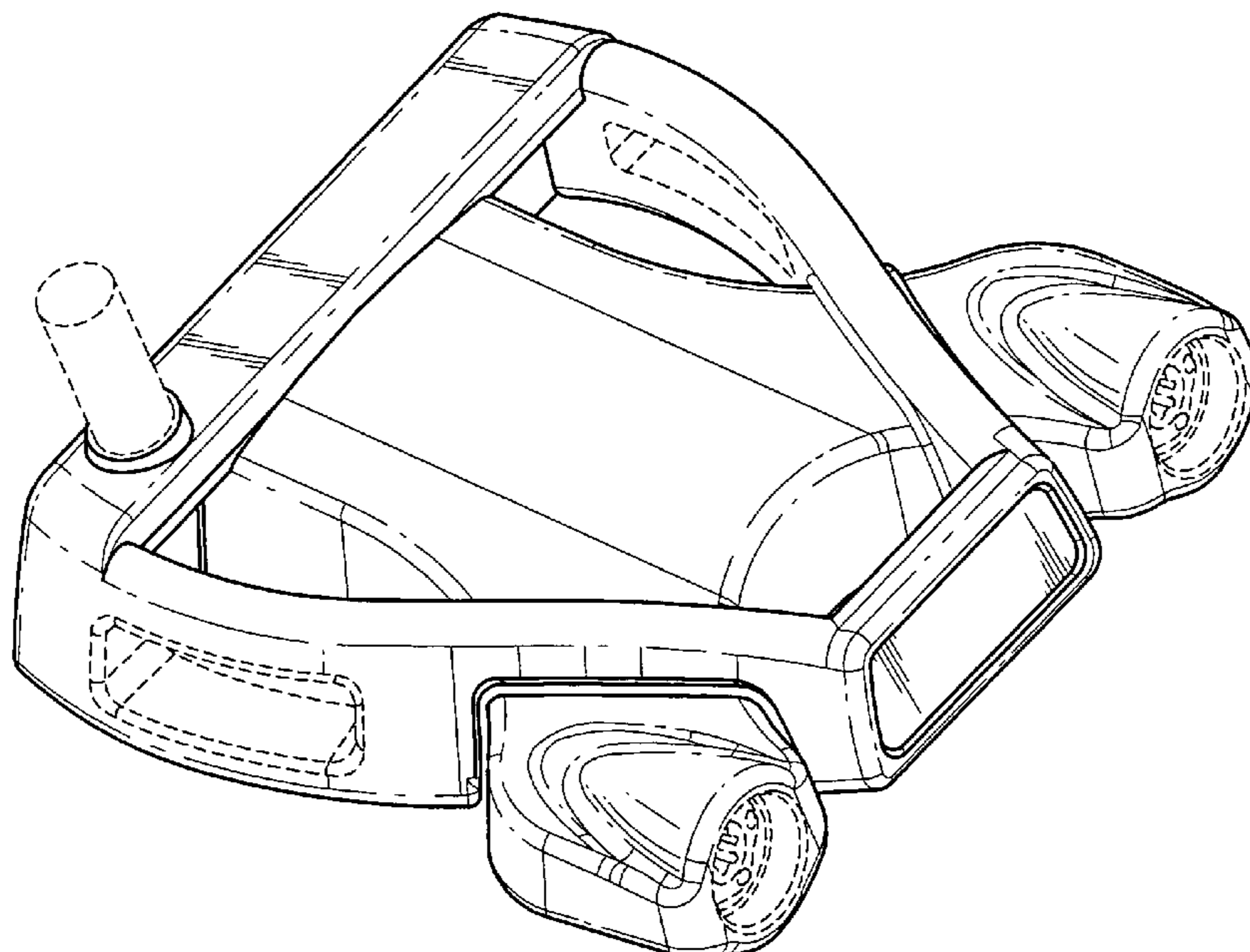
FIG. 4 is a side elevation view of the heel of the putter head of FIG. 1, with the toe side elevation view being a mirror image thereof.

FIG. 5 is a top plan view of the putter head of FIG. 1; and,

FIG. 6 is a bottom plan view of the putter head of FIG. 1.

The dashed lines in the drawings are for illustrative purpose only and form no part of the claimed design.

1 Claim, 5 Drawing Sheets



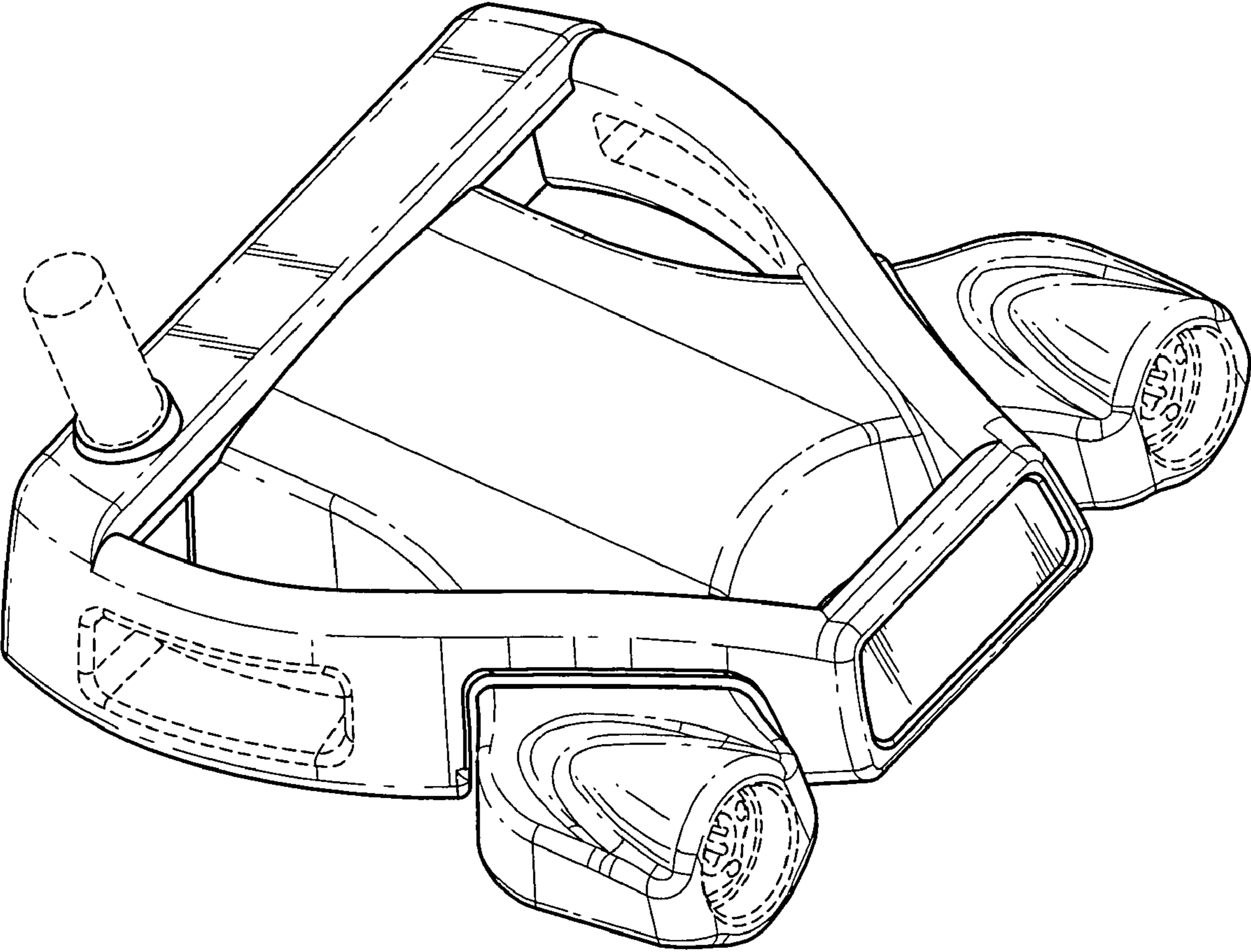


FIG. 1

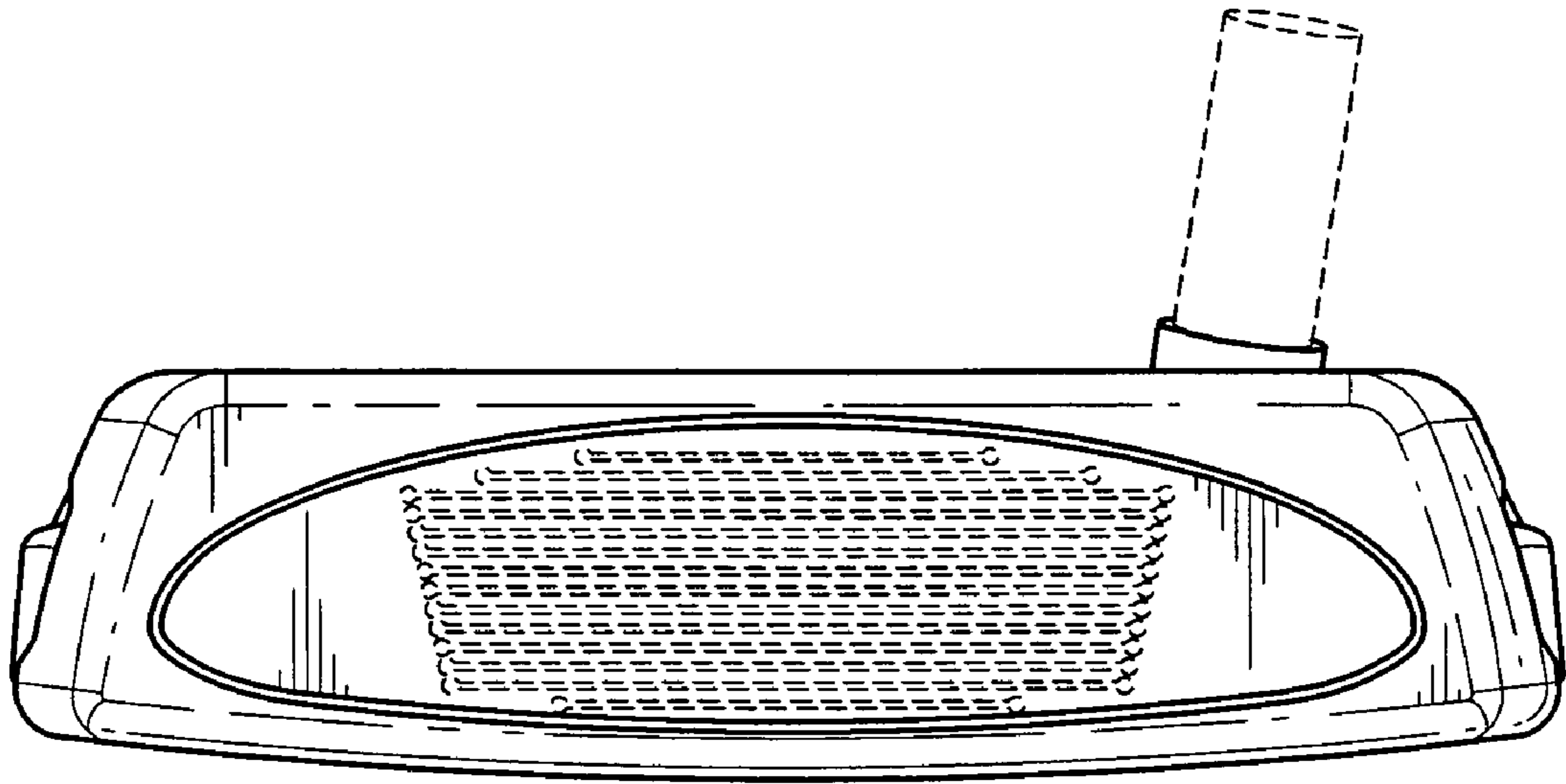


FIG. 2

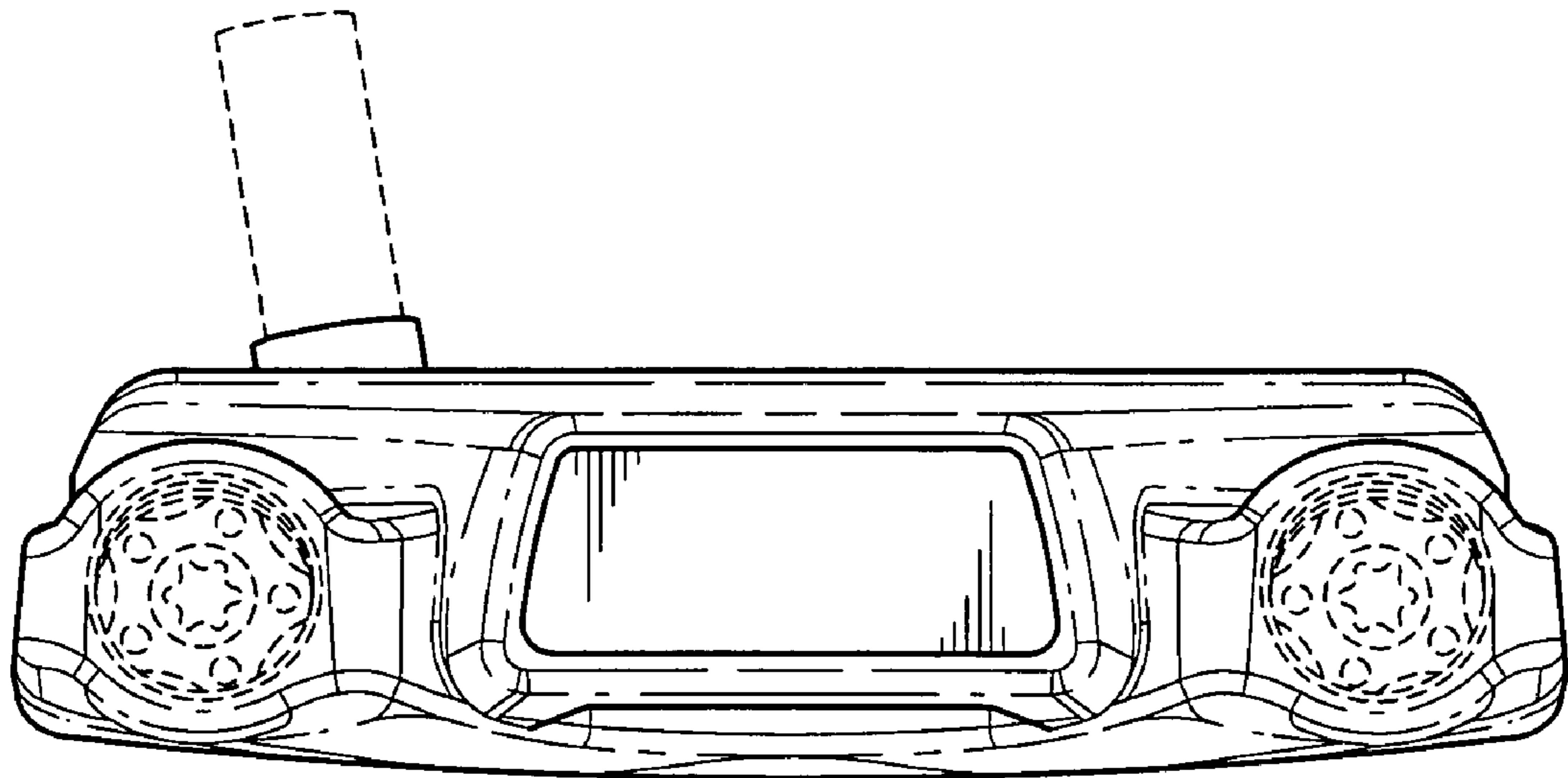


FIG. 3

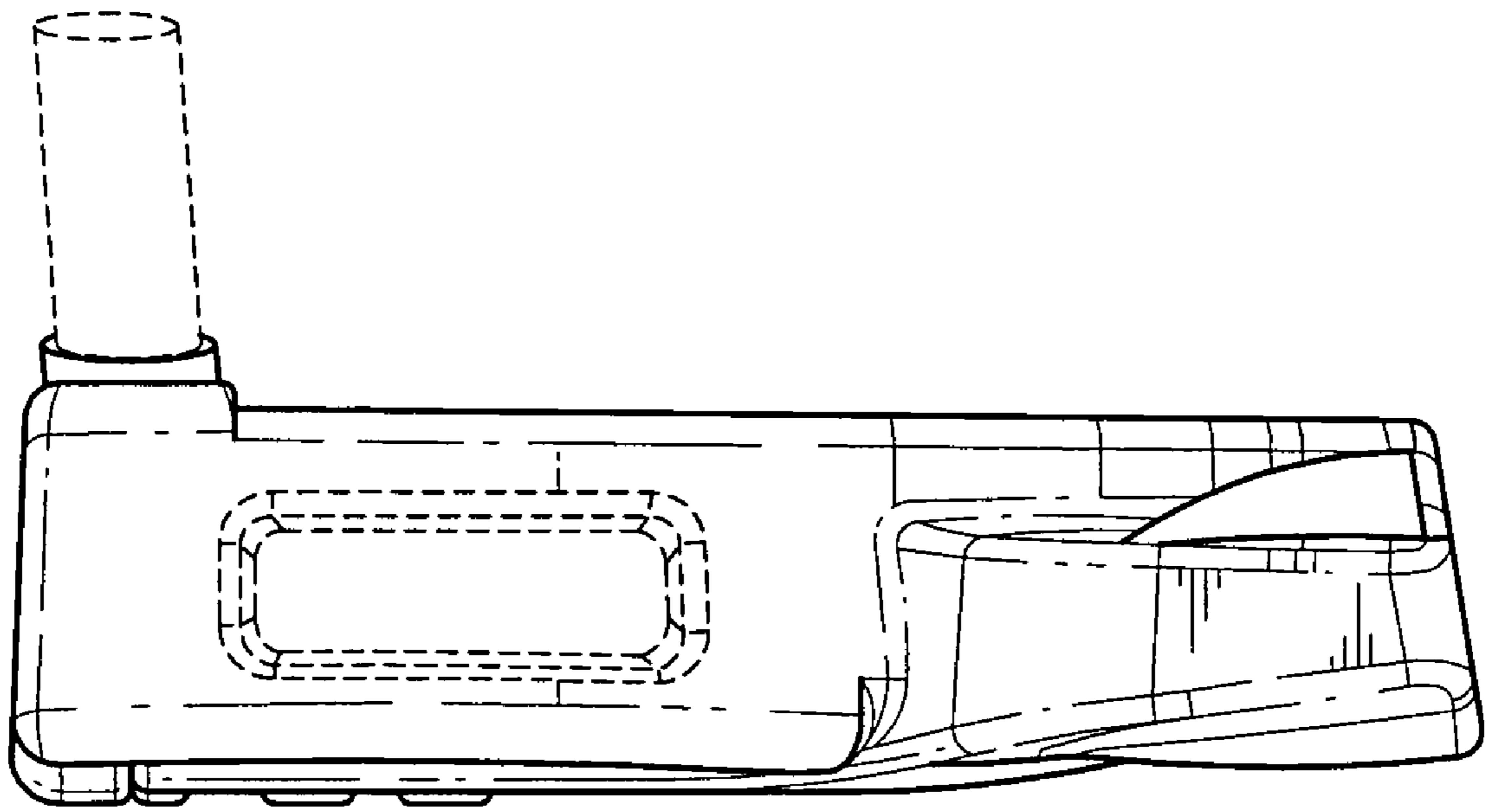


FIG. 4

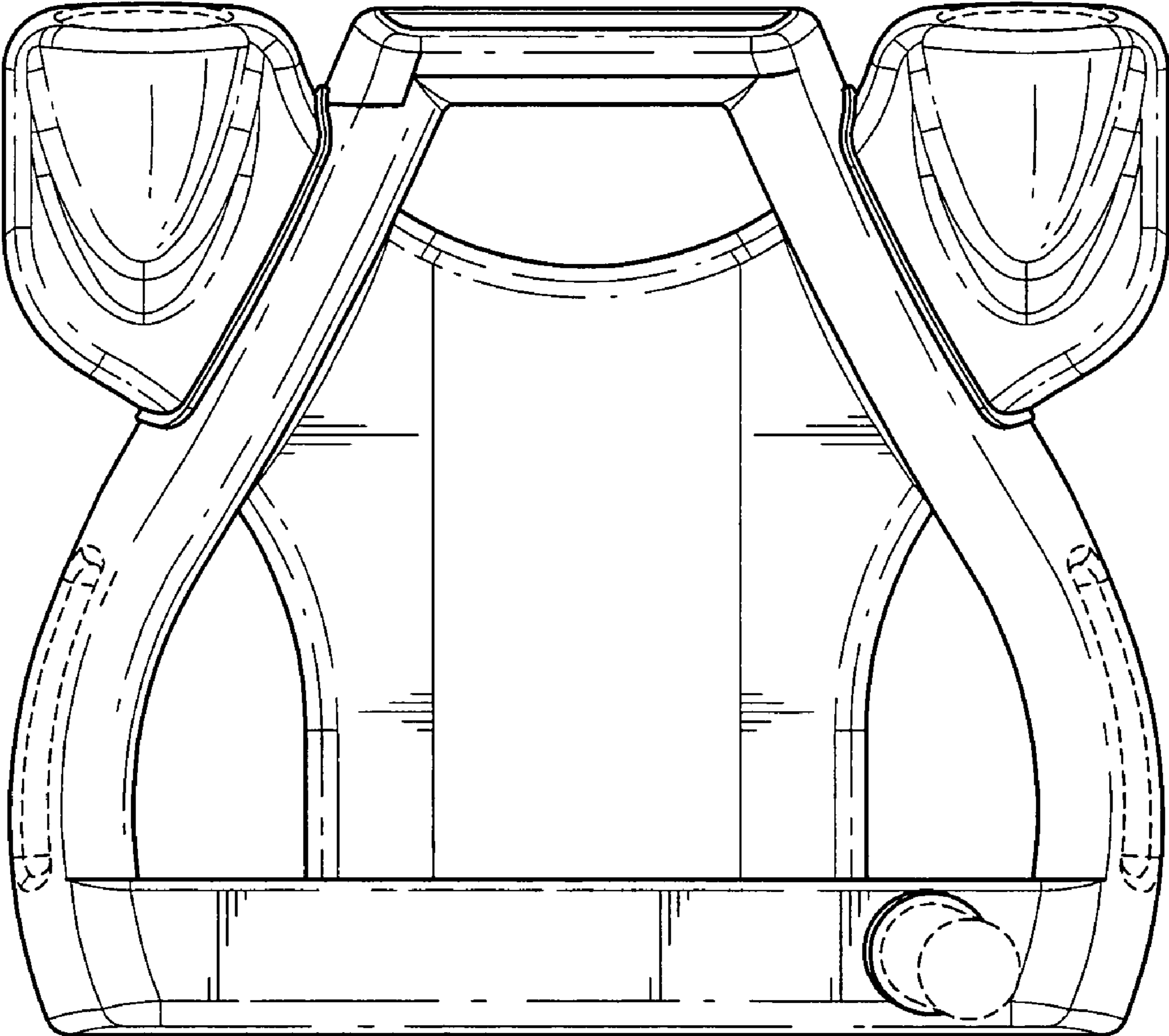


FIG. 5

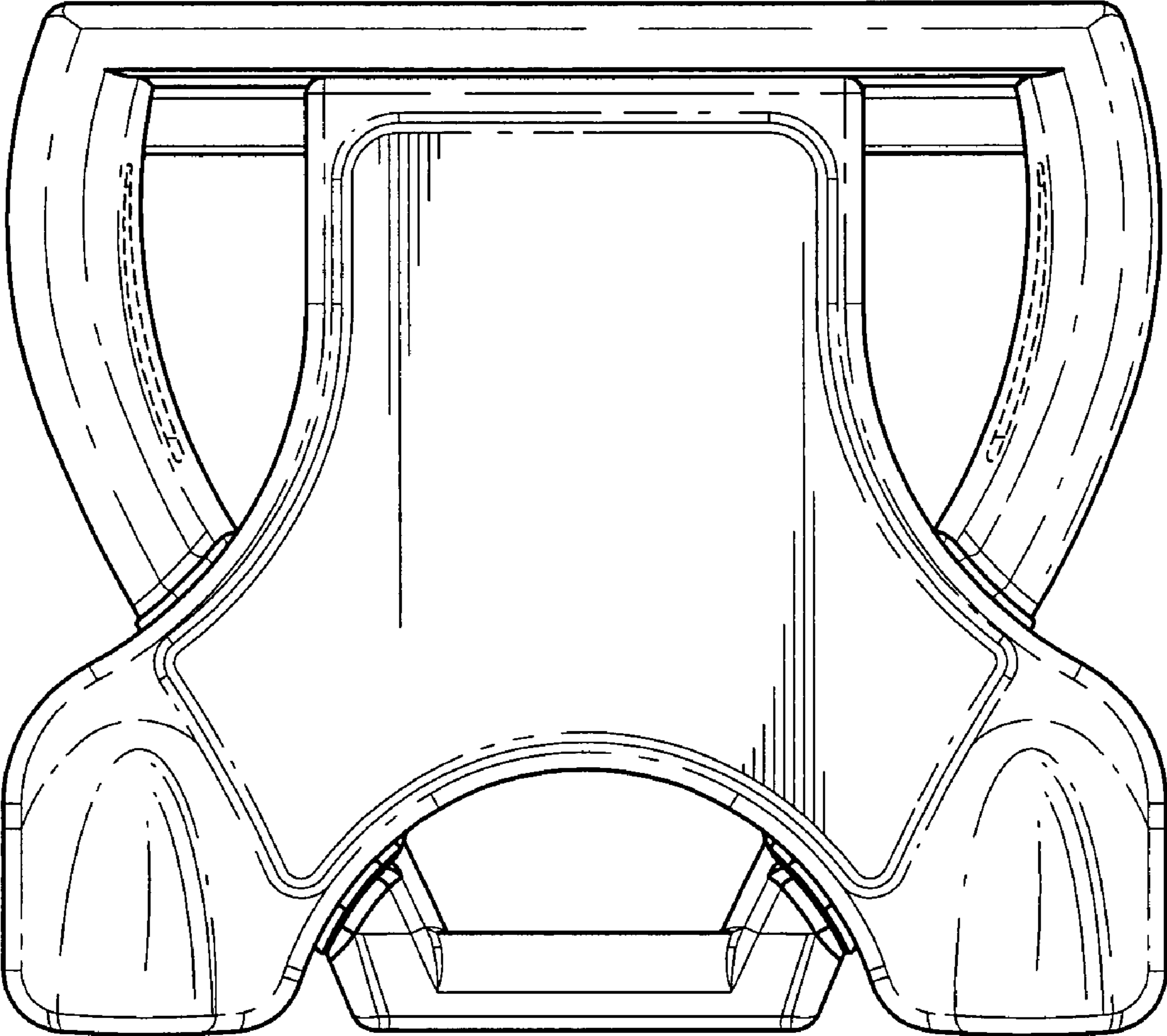


FIG. 6