



US00D606138S

(12) **United States Design Patent**  
**Loiars et al.**

(10) **Patent No.:** **US D606,138 S**  
(45) **Date of Patent:** **\*\* Dec. 15, 2009**

(54) **BAT**

(75) Inventors: **John Loiars**, Franklin, MA (US);  
**Mauro Pezzato**, Treviso (IT); **Stephen Davis**, Newtown, PA (US)

(73) Assignee: **Reebok International Ltd.**, Canton, MA (US)

(\*\*) Term: **14 Years**

(21) Appl. No.: **29/329,356**

(22) Filed: **Dec. 12, 2008**

(51) **LOC (9) Cl.** ..... **21-02**

(52) **U.S. Cl.** ..... **D21/725**

(58) **Field of Classification Search** ..... D21/725;  
473/564-568

See application file for complete search history.

(56) **References Cited**

U.S. PATENT DOCUMENTS

D237,636	S	*	11/1975	Leclerc	.....	D21/727
4,086,115	A		4/1978	Sweet, Jr. et al.		
D344,559	S	*	2/1994	Ilacqua et al.	.....	D21/727
D360,443	S	*	7/1995	Berghash	.....	D21/727
D399,544	S		10/1998	Liu		
5,863,268	A	*	1/1999	Birch	.....	473/563
D418,182	S		12/1999	Krist		
7,201,682	B2		4/2007	Tucker, Sr. et al.		
D555,035	S	*	11/2007	O'Neal	.....	D11/157
D558,844	S	*	1/2008	Jeanneau et al.	.....	D21/727
D579,997	S	*	11/2008	Jeanneau et al.	.....	D21/753
2005/0153798	A1		7/2005	Rigoli		
2007/0270253	A1		11/2007	Davis et al.		

2007/0275800 A1 11/2007 Davis et al.  
2008/0051230 A1 2/2008 Davis  
2008/0070725 A1 3/2008 Davis

OTHER PUBLICATIONS

U.S. Appl. No. 11/183,585, Davis et al., Composite Hockey Stick System, filed Jul. 18, 2005.

\* cited by examiner

Primary Examiner—Mitchell I Siegel

(74) Attorney, Agent, or Firm—Sterne, Kessler, Goldstein & Fox P.L.L.C.

(57) **CLAIM**

The ornamental design for a bat, as shown and described.

**DESCRIPTION**

FIG. 1 is a perspective view of an embodiment of a bat showing a new design;

FIG. 2 is a front view thereof, the rear view being a mirror image thereof;

FIG. 3 is a side view thereof, the opposite side view being a mirror image thereof;

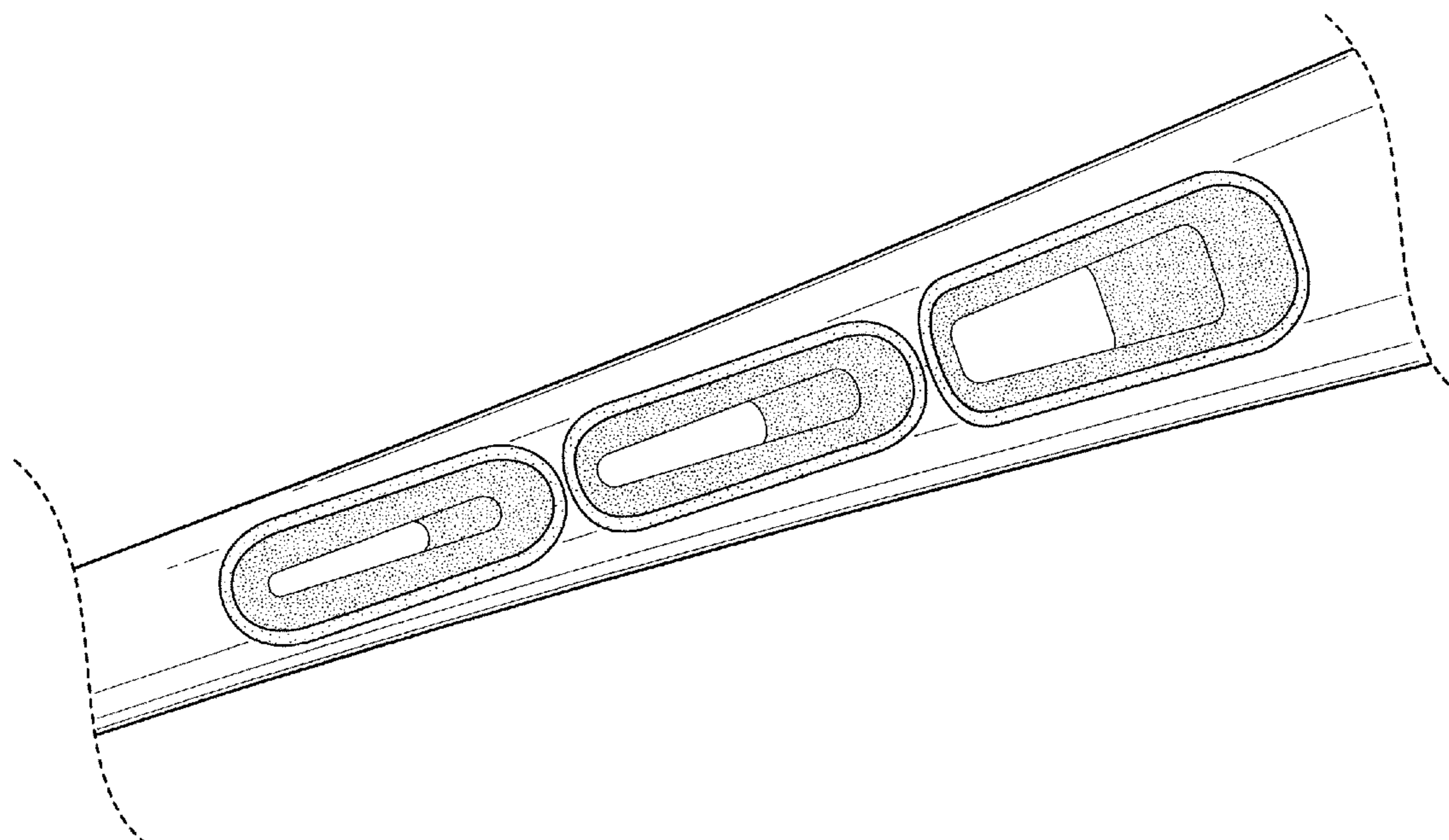
FIG. 4 is a perspective view of another embodiment of a bat showing a new design;

FIG. 5 is a front view thereof, the rear view being a mirror image thereof; and,

FIG. 6 is a side view thereof, the opposite side view being a mirror image thereof.

The broken lines show an indeterminate border and form no part of the claimed invention.

**1 Claim, 6 Drawing Sheets**



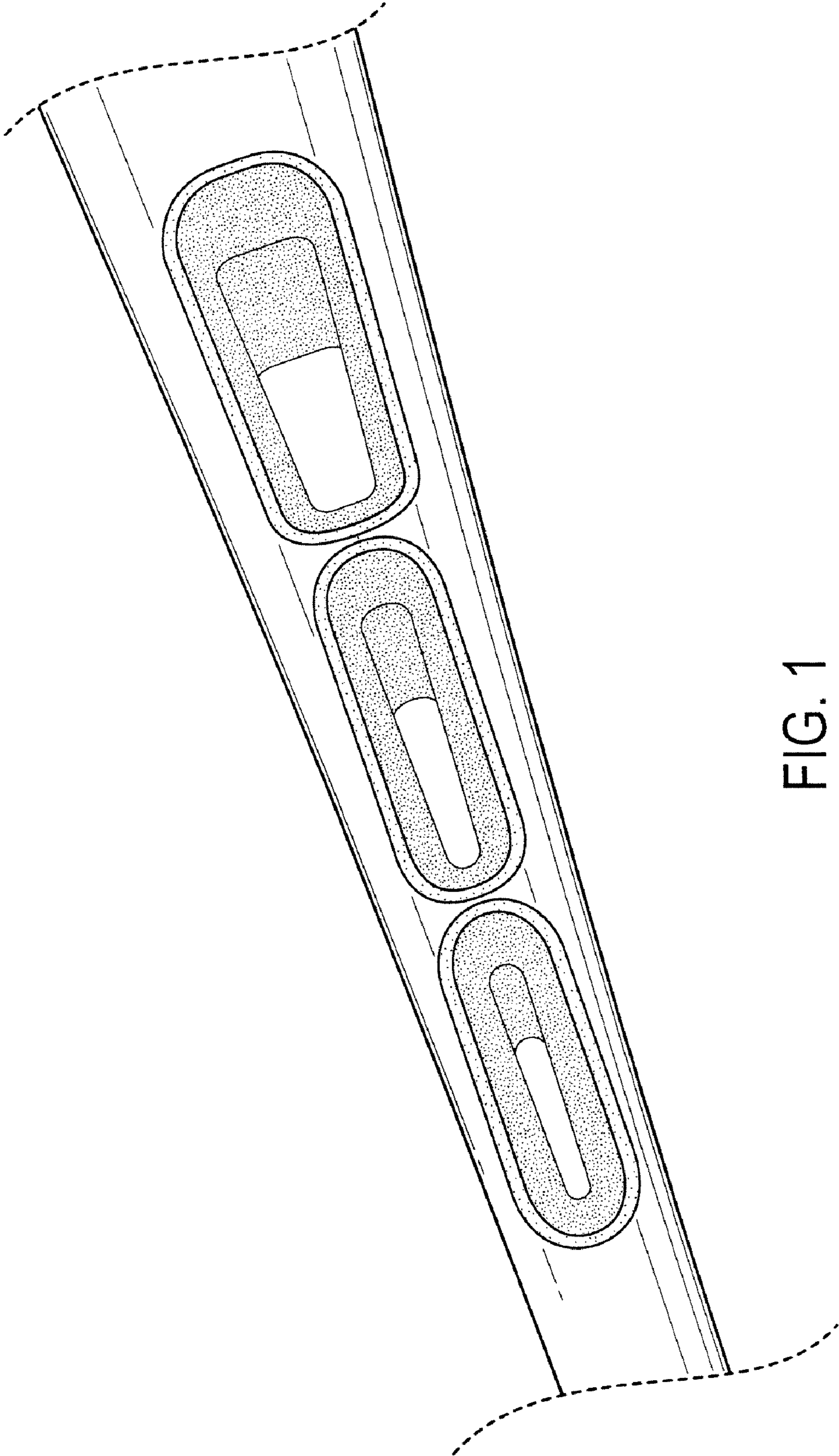


FIG. 1

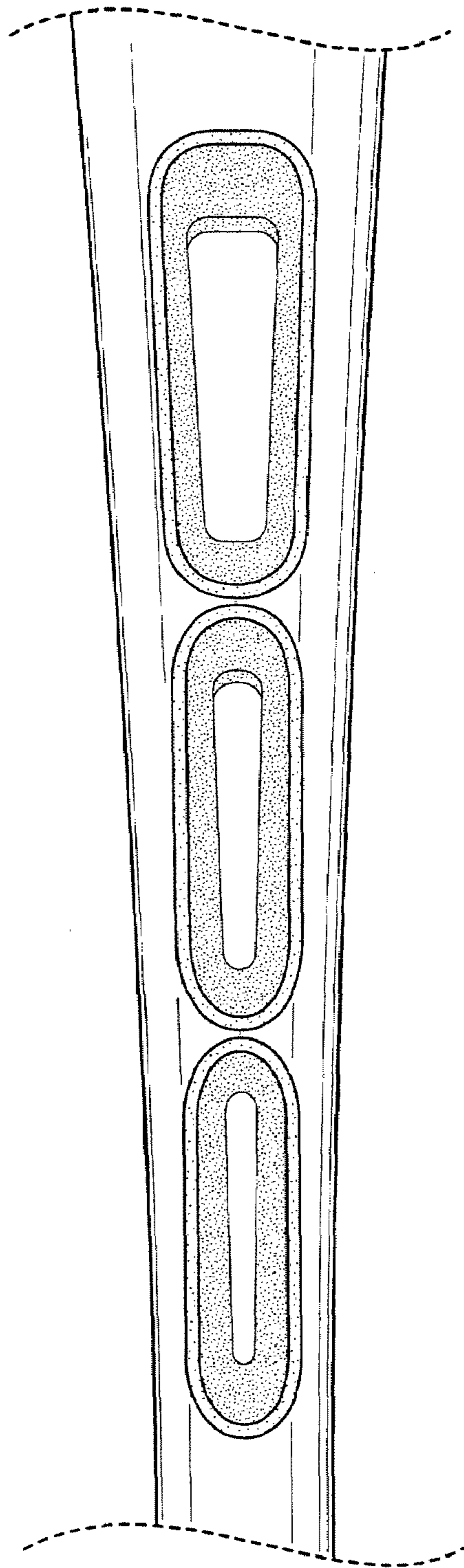


FIG. 2

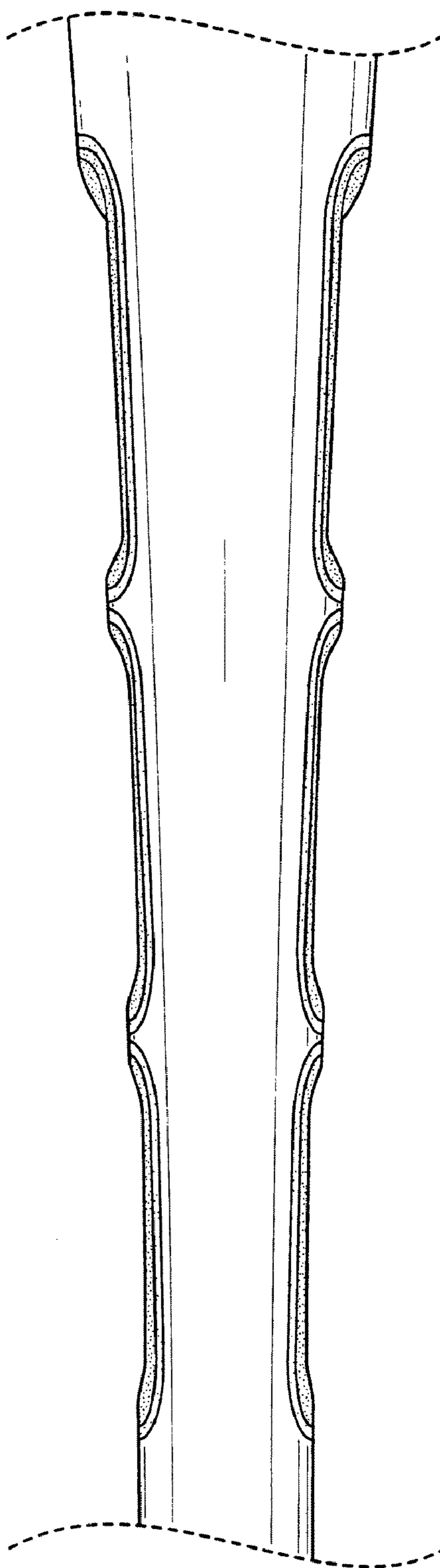


FIG. 3

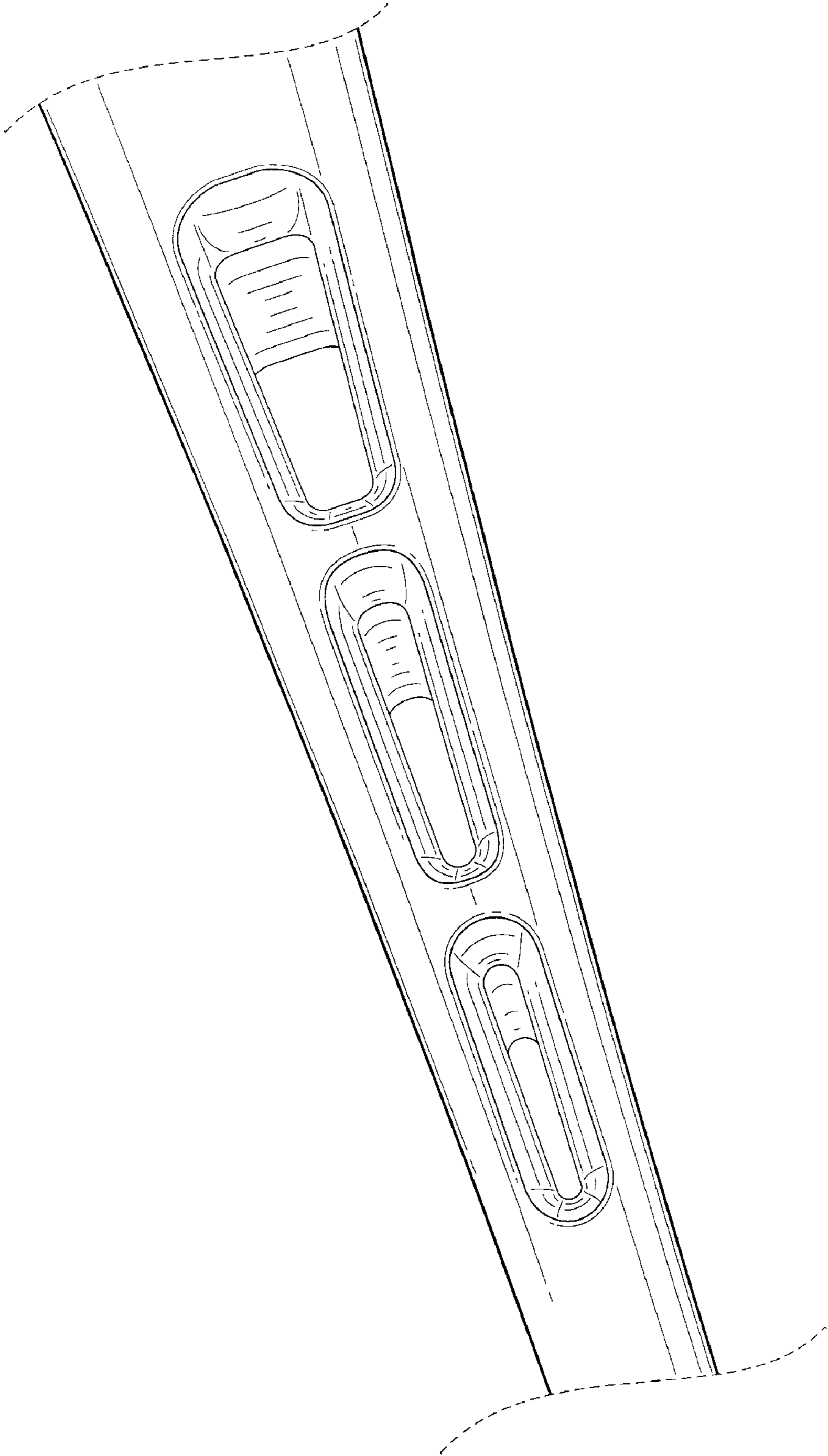


FIG. 4

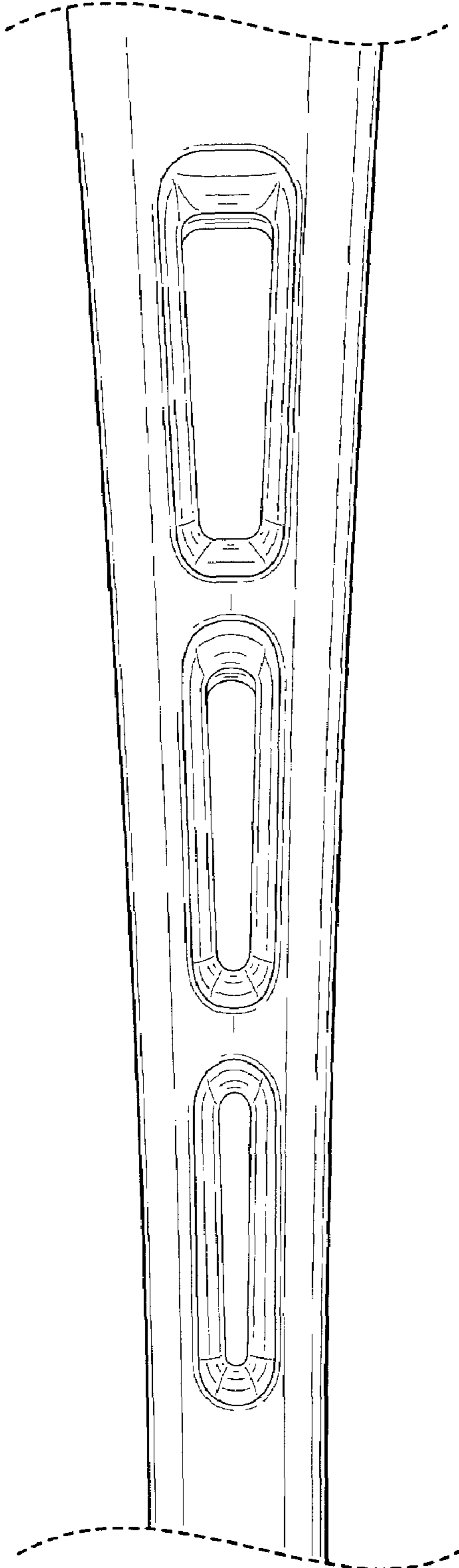


FIG. 5

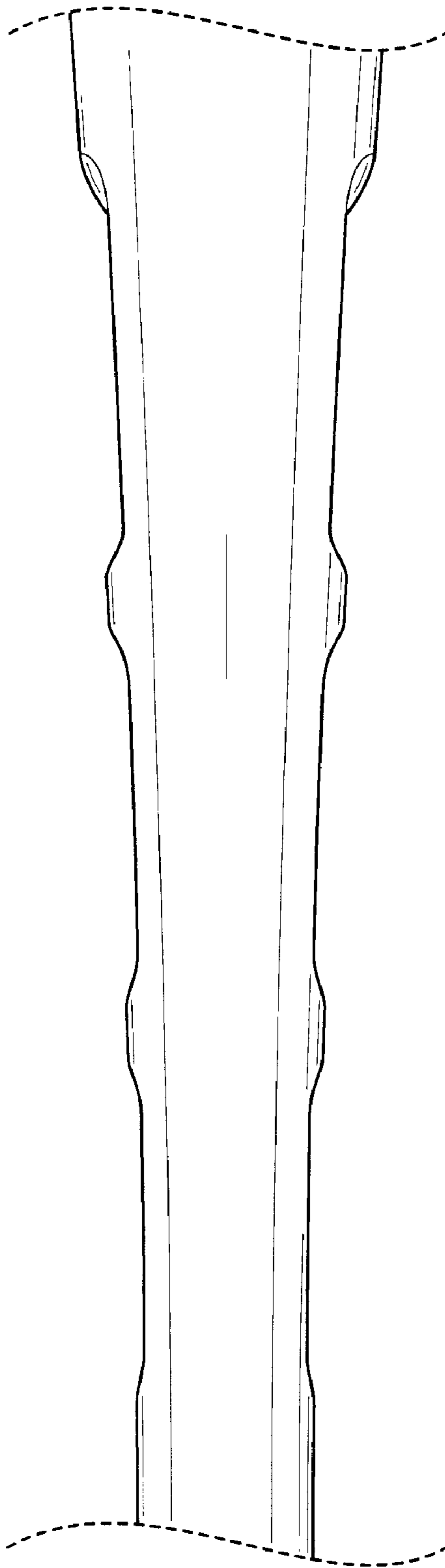


FIG. 6