



US00D606136S

(12) **United States Design Patent**
Gamboa

(10) **Patent No.:** **US D606,136 S**

(45) **Date of Patent:** **** Dec. 15, 2009**

(54) **TENNIS SWING TRAINING DEVICE**

D431,061 S * 9/2000 Solis D21/719
6,648,780 B1 * 11/2003 Boldin 473/461
6,688,994 B2 * 2/2004 Matulek et al. 473/429

(75) Inventor: **Rick Gamboa**, Monterey Park, CA (US)

(73) Assignee: **Borg Unlimited Inc.**, Monterey Park, CA (US)

(**) Term: **14 Years**

(21) Appl. No.: **29/336,639**

(22) Filed: **May 6, 2009**

(51) **LOC (9) Cl.** **21-02**

(52) **U.S. Cl.** **D21/719; D21/799.1**

(58) **Field of Classification Search** D21/301,
D21/465, 466, 662, 686, 698, 699, 715, 719,
D21/780, 791, 796, 799.1; 473/415-504
See application file for complete search history.

(56) **References Cited**

U.S. PATENT DOCUMENTS

3,166,317 A * 1/1965 Tumelson 473/430
D216,403 S * 12/1969 Terry D21/791
3,861,679 A * 1/1975 Culpepper 473/429
D242,561 S * 11/1976 Yamakawa D21/715
5,018,729 A * 5/1991 Wilkerson 473/427
5,386,986 A 2/1995 Gamboa
5,624,113 A * 4/1997 Rabine 473/430
5,766,102 A * 6/1998 Lawson et al. 473/428

* cited by examiner

Primary Examiner—Catherine Tuttle

(74) *Attorney, Agent, or Firm*—Kelly Lowry & Kelley, LLP

(57) **CLAIM**

The ornamental design for a tennis swing training device, as shown and described.

DESCRIPTION

FIG. 1 is front and left-side perspective view of a tennis swing training device embodying my new design;

FIG. 2 is a front elevational view thereof;

FIG. 3 is a rear elevational view thereof;

FIG. 4 is a left-side elevational view thereof;

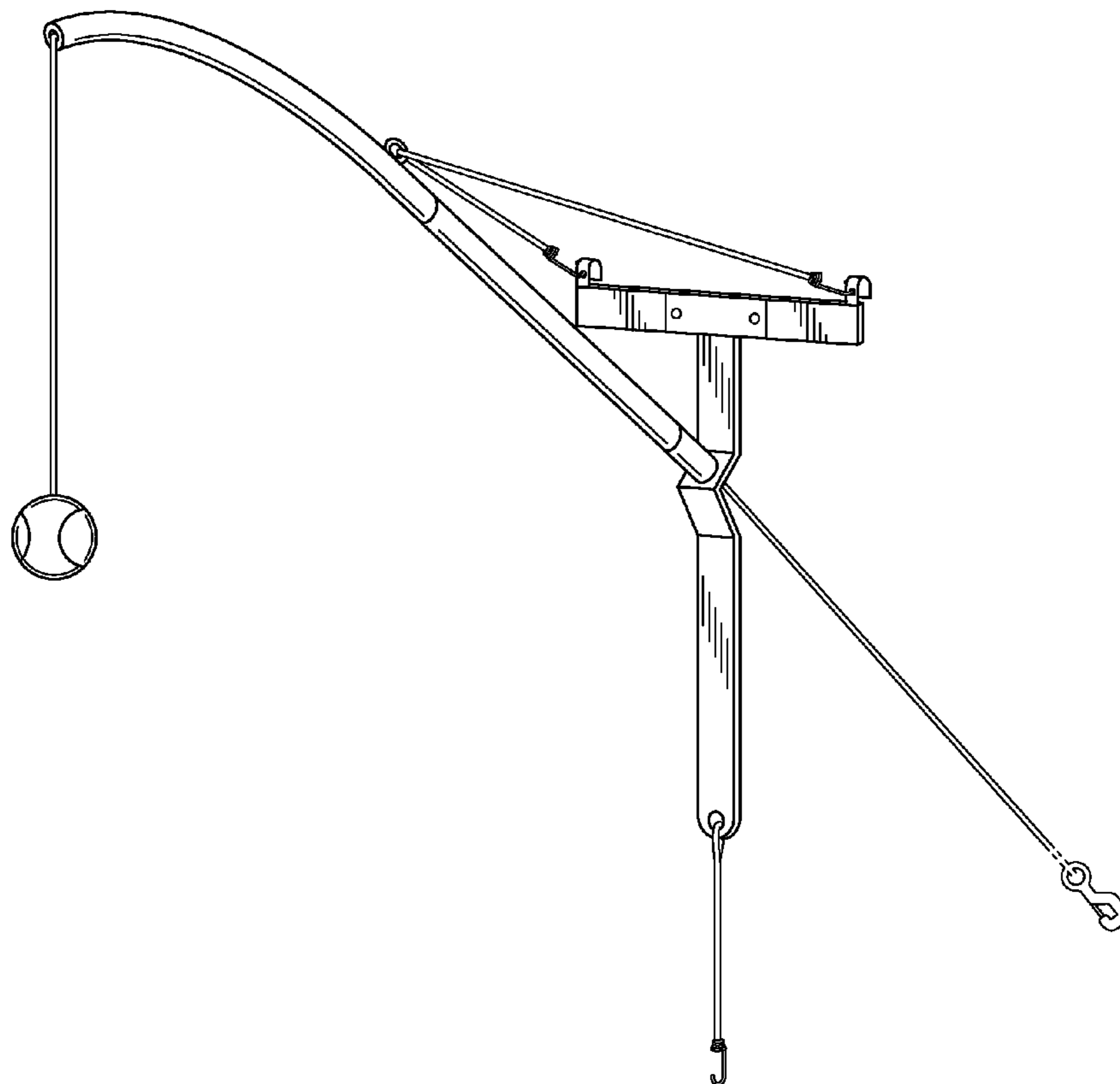
FIG. 5 is a right-side elevational view thereof;

FIG. 6 is a top plan view thereof; and,

FIG. 7 is a bottom plan view thereof.

The broken lines are included for the purpose of illustrating a portion of the tennis swing training device that forms no part of the claimed design

1 Claim, 3 Drawing Sheets



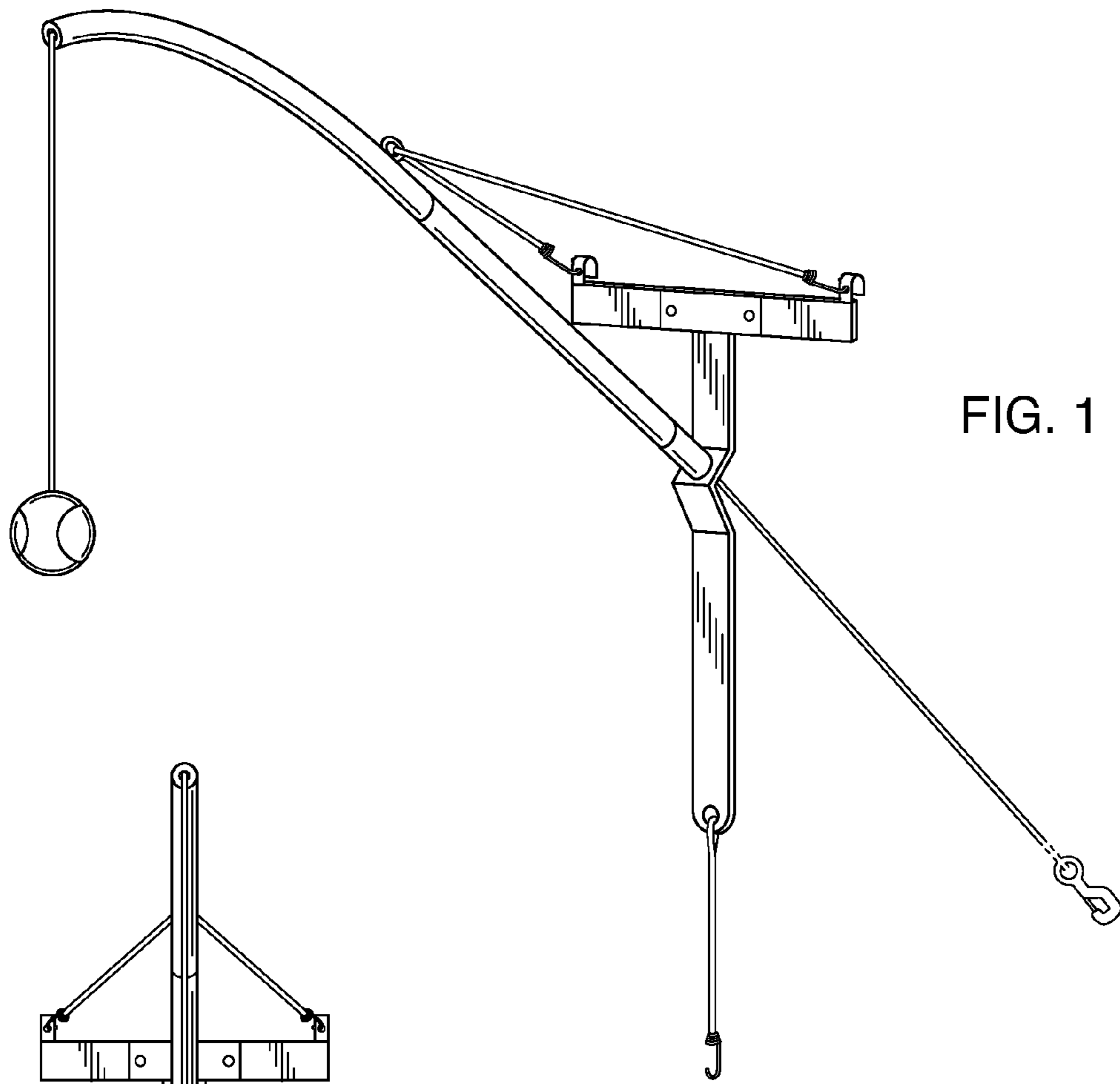


FIG. 1

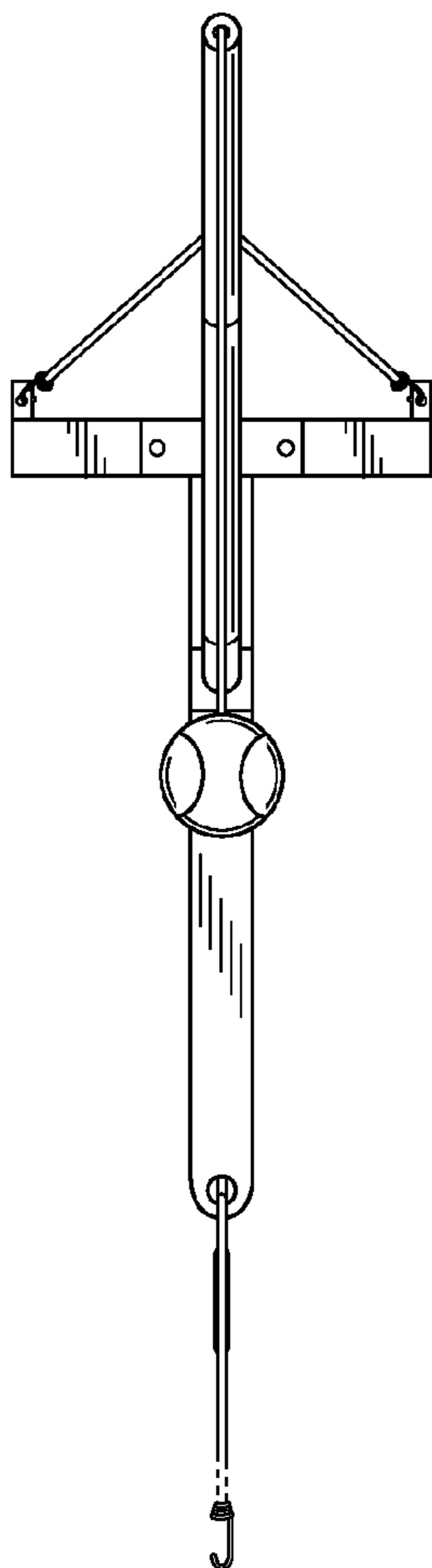


FIG. 2

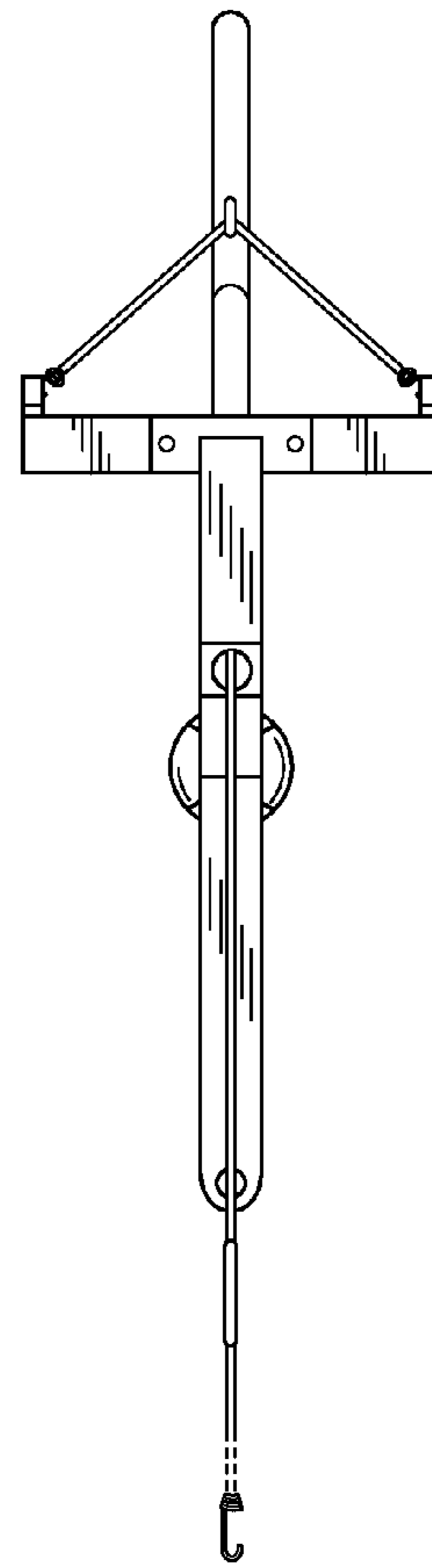


FIG. 3

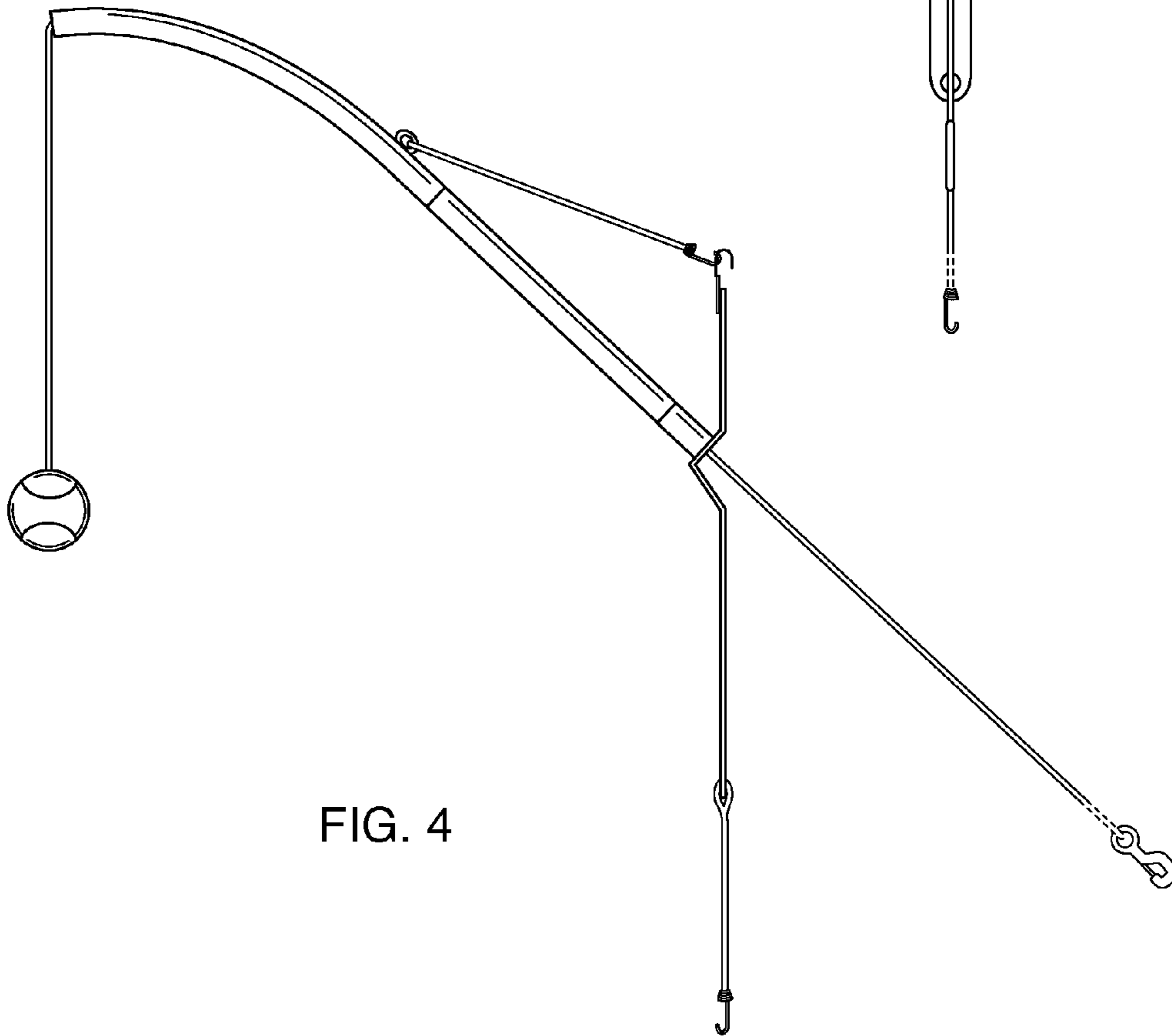


FIG. 4

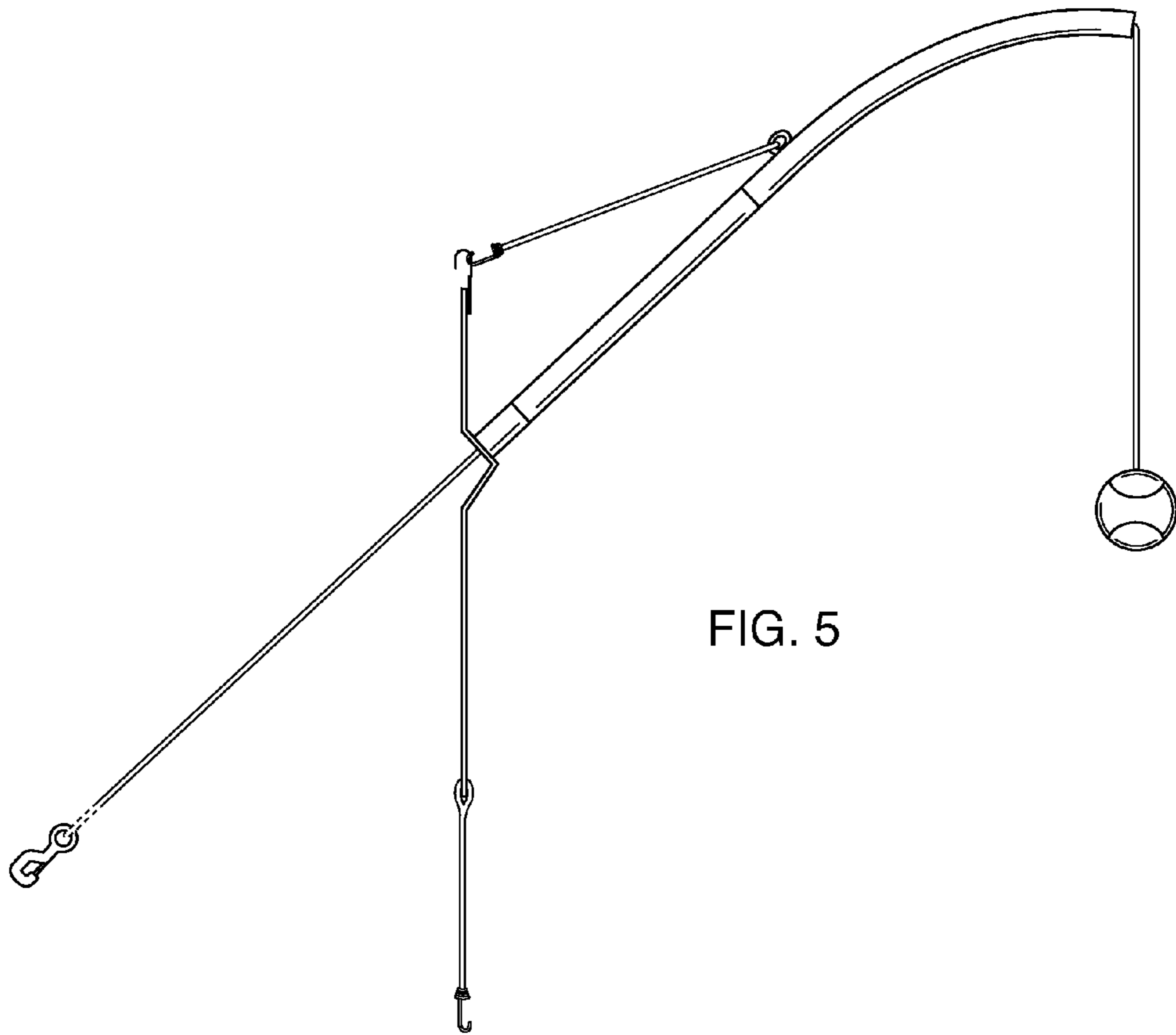


FIG. 5

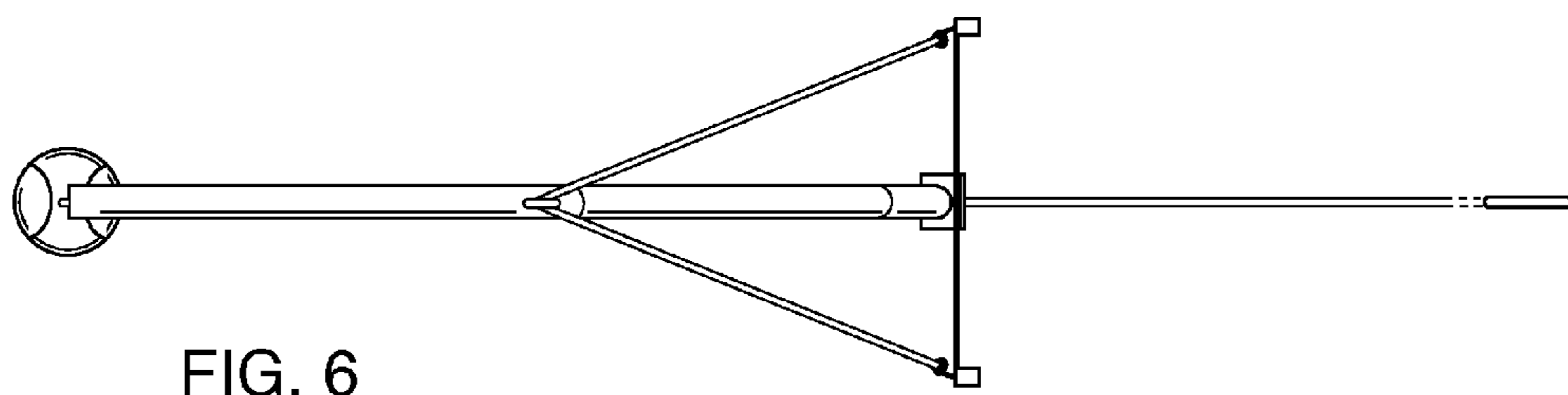


FIG. 6

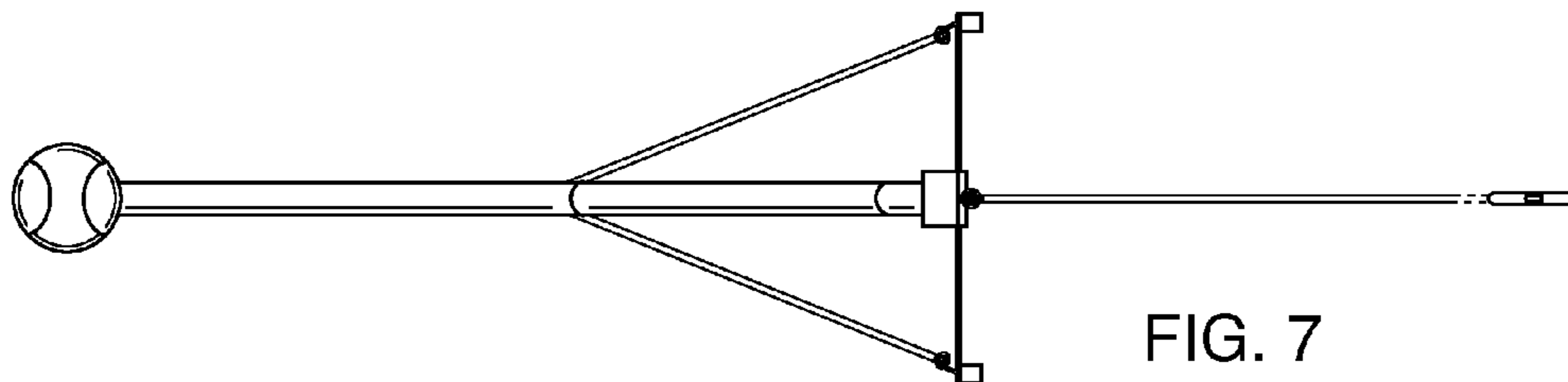


FIG. 7