



US00D606135S

(12) **United States Design Patent**
Grider

(10) **Patent No.:** **US D606,135 S**

(45) **Date of Patent:** **** Dec. 15, 2009**

(54) **EXERCISE APPARATUS**

7,335,141 B2 * 2/2008 Piane, Jr. 482/99

(75) Inventor: **Sherman Grider**, Pomona, CA (US)

* cited by examiner

(73) Assignee: **Tuffstuff Fitness Equipment, Inc.**,
Pomona, CA (US)

Primary Examiner—Philip S Hyder

(74) *Attorney, Agent, or Firm*—Cislo & Thomas, LLP

(**) Term: **14 Years**

(57) **CLAIM**

(21) Appl. No.: **29/301,317**

The ornamental design for an exercise apparatus, as shown.

(22) Filed: **Feb. 22, 2008**

DESCRIPTION

(51) **LOC (9) Cl.** **21-02**

FIG. 1 is a perspective view of an exercise apparatus, in accordance with the present invention.

(52) **U.S. Cl.** **D21/694; D21/673**

FIG. 2 is a front view of an exercise apparatus, in accordance with the present invention.

(58) **Field of Classification Search** D21/673,
D21/675, 676, 686, 694; 482/98, 99, 100,
482/101, 102, 133, 135, 237, 138

FIG. 3 is a rear view of an exercise apparatus, in accordance with the present invention.

See application file for complete search history.

FIG. 4 is a side view of an exercise apparatus, in accordance with the present invention; and,

(56) **References Cited**

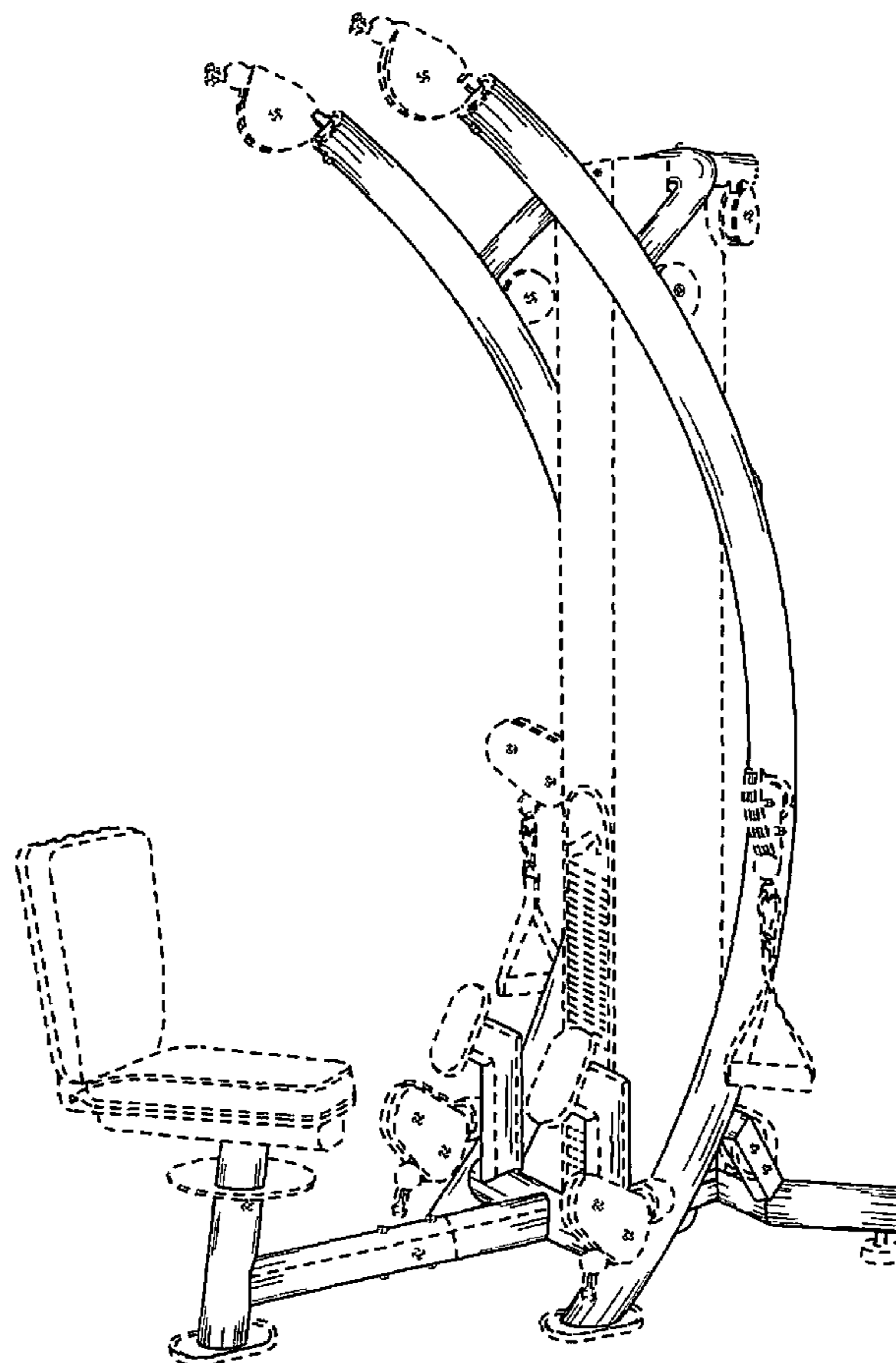
FIG. 5 is an opposing side view of an exercise apparatus, in accordance with the present invention.

U.S. PATENT DOCUMENTS

6,165,110	A *	12/2000	Gajda	482/102
6,561,960	B2 *	5/2003	Webber	482/138
D502,515	S *	3/2005	Carter	D21/694
D512,113	S *	11/2005	Carter	D21/676
7,090,623	B2 *	8/2006	Stewart et al.	482/100
D552,193	S *	10/2007	Husted et al.	D21/676

The broken line portions of the disclosure are included for the purpose of illustrating environment and form no part of the claimed design.

1 Claim, 5 Drawing Sheets



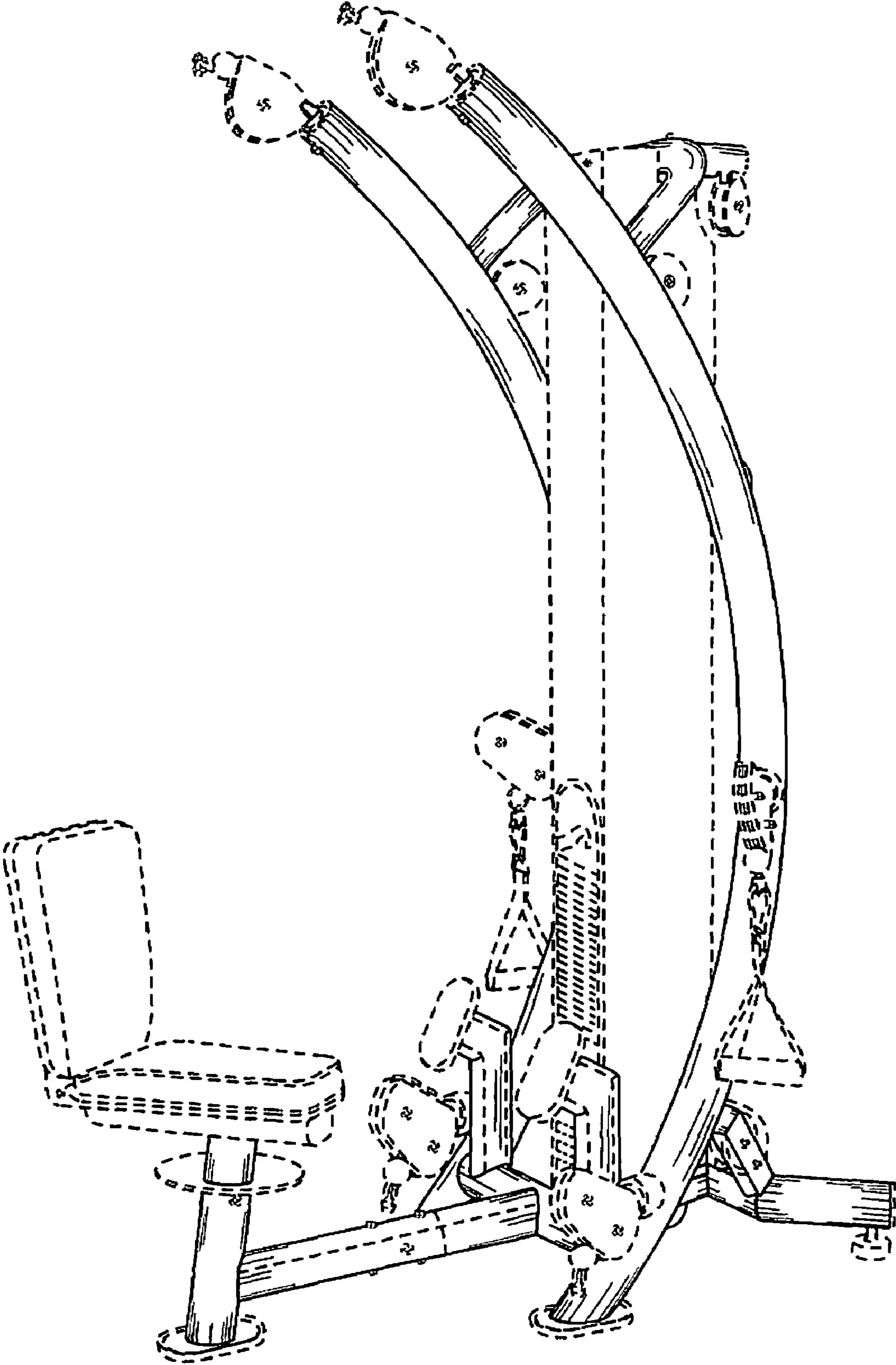


FIG. 1

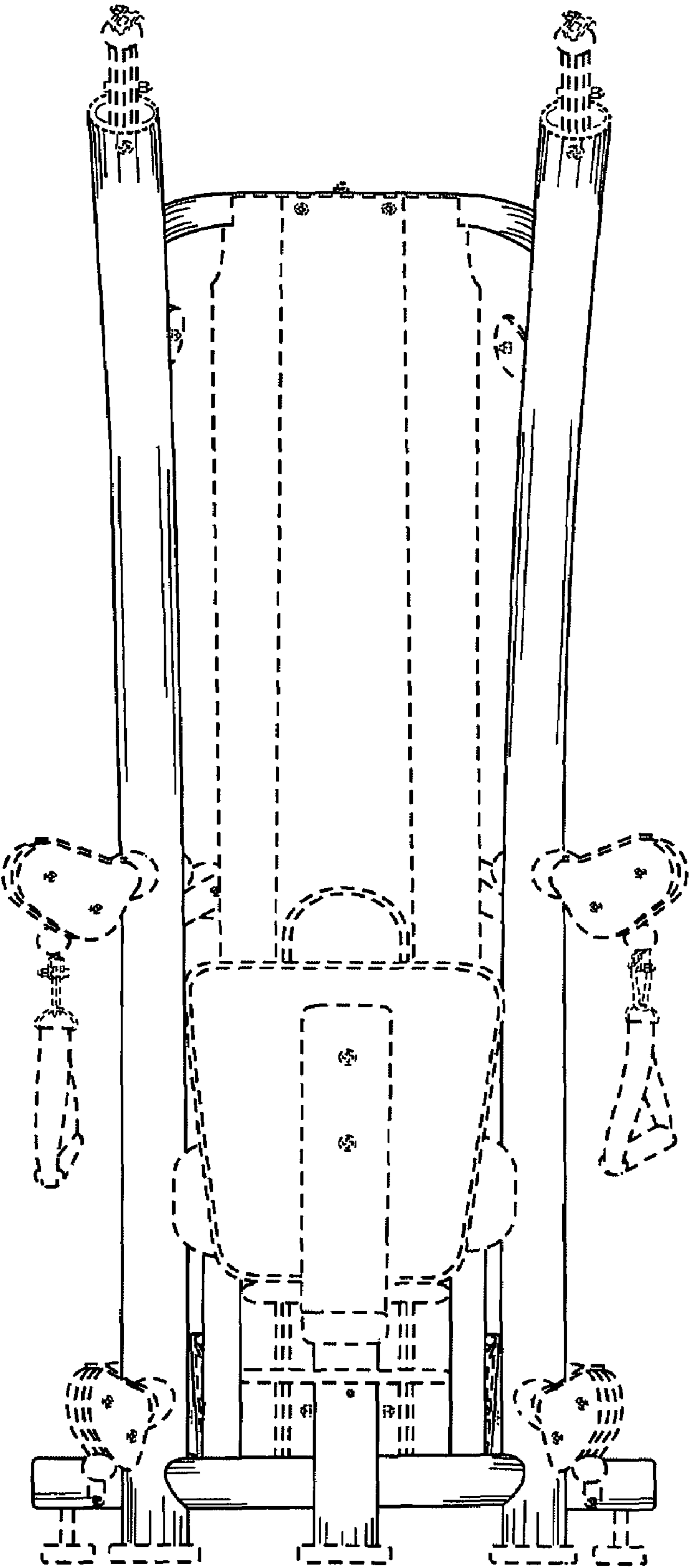


FIG. 2

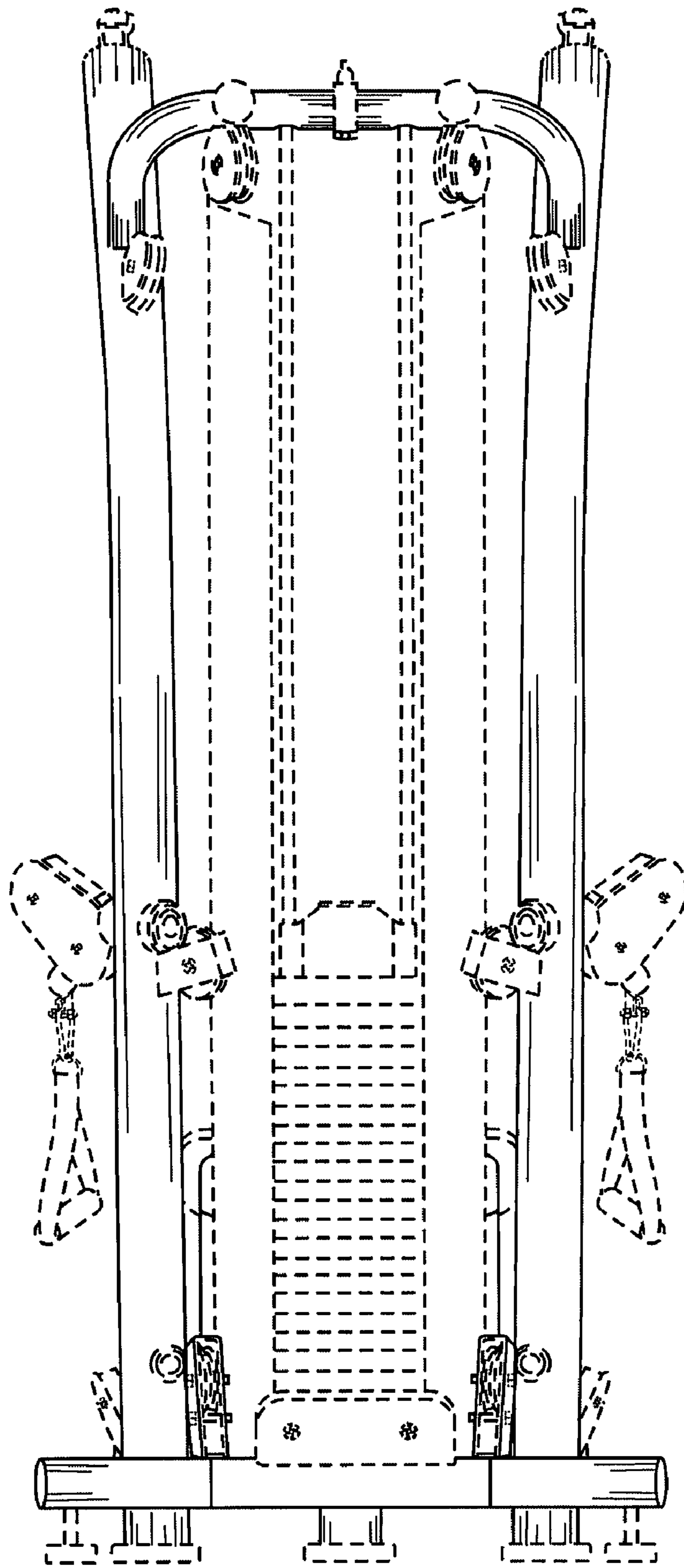


FIG. 3

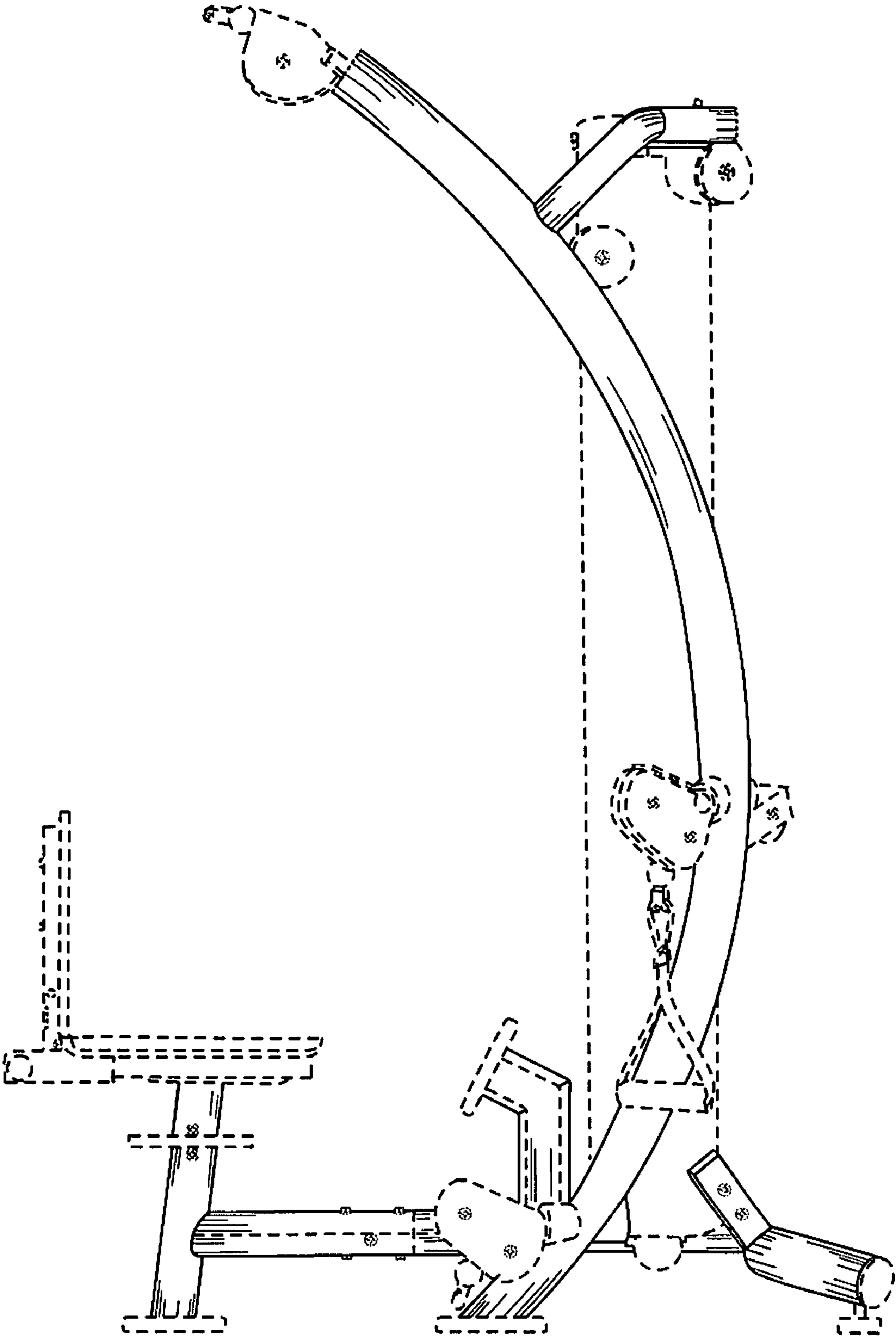


FIG. 4

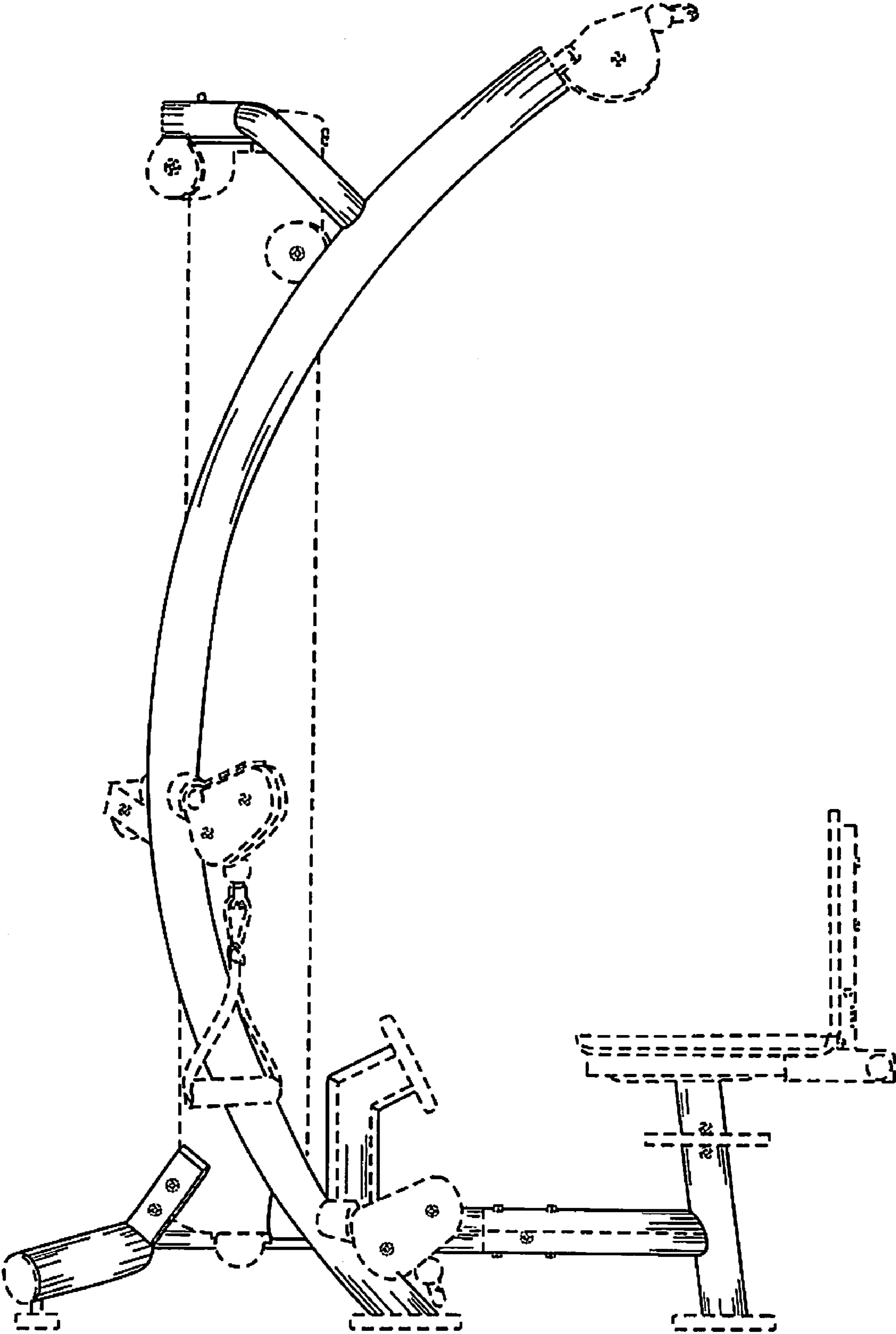


FIG. 5