



US00D606133S

(12) **United States Design Patent**
Lien

(10) **Patent No.:** **US D606,133 S**

(45) **Date of Patent:** **** Dec. 15, 2009**

(54) **WEIGHT PLATE**

(75) Inventor: **Louis Lien**, Bellaire, TX (US)

(73) Assignee: **USA Sports, Inc.**, Houston, TX (US)

(**) Term: **14 Years**

(21) Appl. No.: **29/327,518**

(22) Filed: **Nov. 7, 2008**

(51) **LOC (9) Cl.** **21-02**

(52) **U.S. Cl.** **D21/681**

(58) **Field of Classification Search** D21/662,
D21/680, 681, 682; 482/93, 106, 107, 108

See application file for complete search history.

(56) **References Cited**

U.S. PATENT DOCUMENTS

D355,007	S	*	1/1995	Rojas et al.	D21/681
D433,721	S	*	11/2000	Rojas et al.	D21/681
D448,055	S		9/2001	Lien et al.		
D483,083	S	*	12/2003	Allshouse et al.	D21/680
6,702,723	B2	*	3/2004	Landfair	482/106
6,736,765	B2	*	5/2004	Wallace et al.	482/106
6,746,380	B2		6/2004	Lien et al.		
D516,639	S	*	3/2006	Hamilton	D21/681
7,198,591	B2		4/2007	Lien		
7,300,389	B2		11/2007	Lien et al.		

D562,415	S	*	2/2008	Xu et al.	D21/680
D562,919	S	*	2/2008	Hillson	D21/680
D566,207	S	*	4/2008	Cao	D21/681
D566,208	S	*	4/2008	Alessandri et al.	D21/681
D566,209	S	*	4/2008	Alessandri et al.	D21/681

* cited by examiner

Primary Examiner—Philip S Hyder

(74) *Attorney, Agent, or Firm*—Nick A. Nichols, Jr.

(57) **CLAIM**

The ornamental design for a weight plate, as shown and described.

DESCRIPTION

FIG. 1 is a front perspective view of a weight plate showing my new design;

FIG. 2 is a bottom plan view thereof;

FIG. 3 is a rear perspective view thereof;

FIG. 4 is a top plan view of FIG. 3;

FIG. 5 is a front elevation view thereof;

FIG. 6 is a left side elevation view of FIG. 5;

FIG. 7 is a rear elevation view thereof; and,

FIG. 8 is a right side elevation view of FIG. 7.

1 Claim, 4 Drawing Sheets

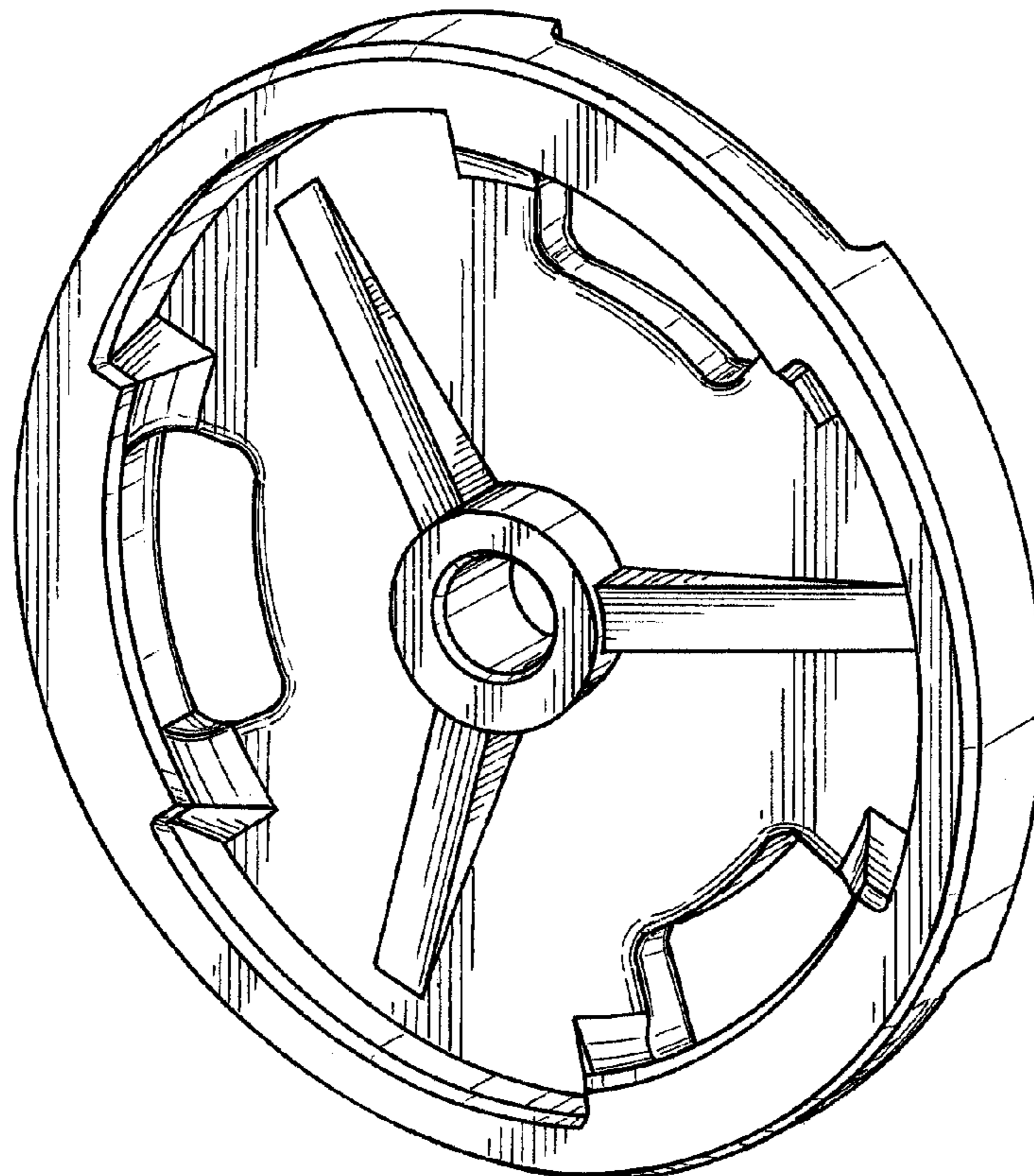




FIG. 2

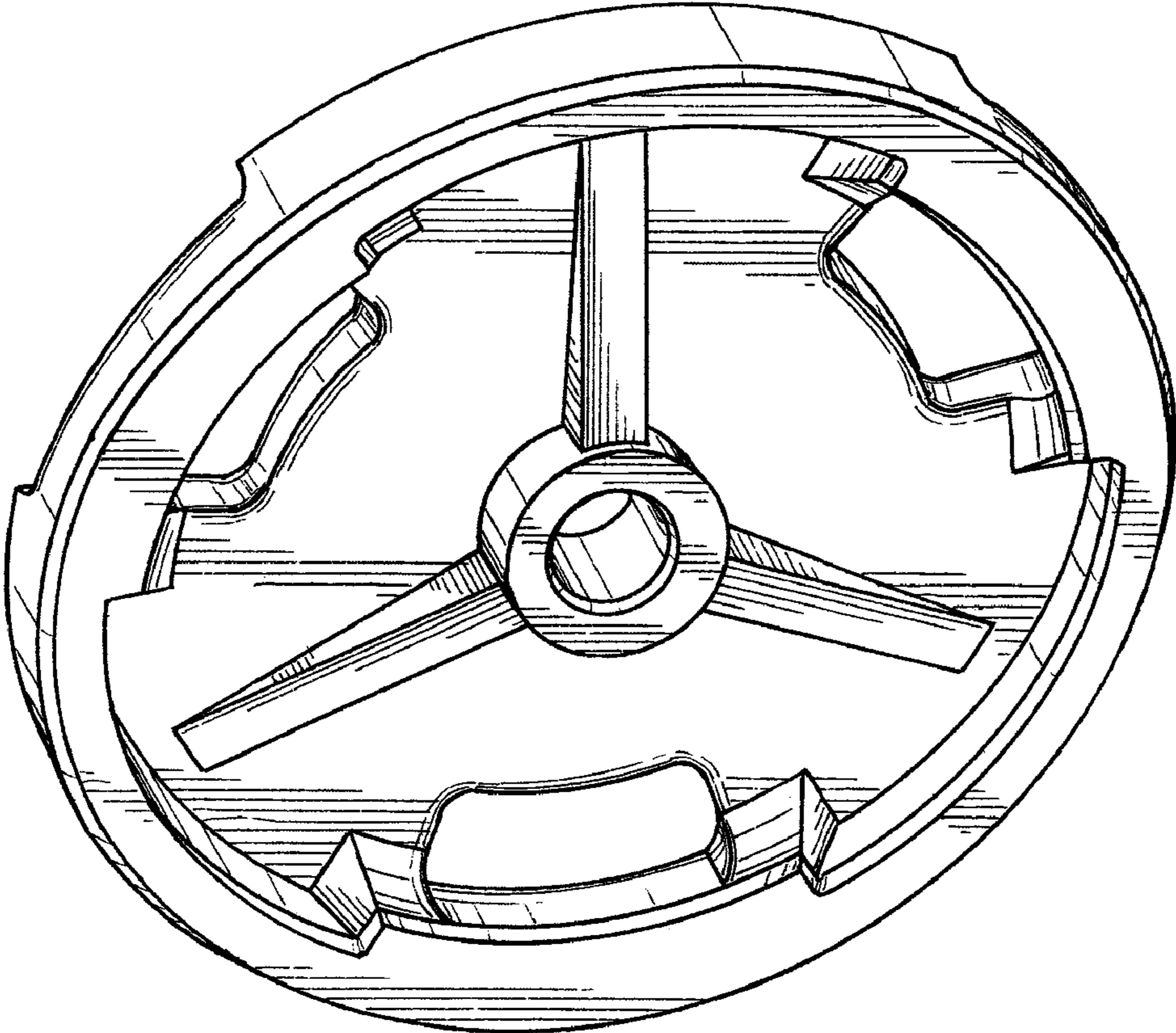


FIG. 1

FIG. 3

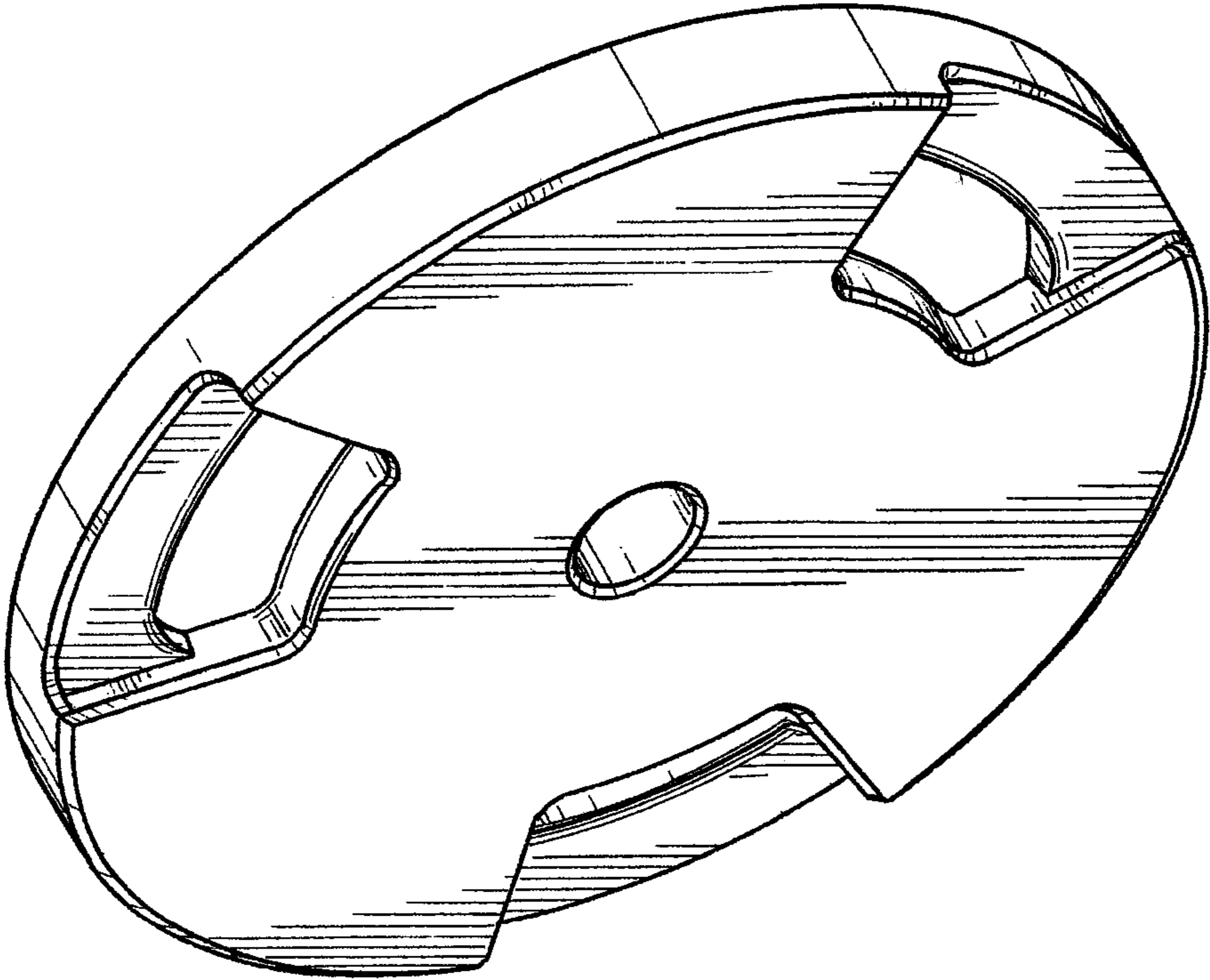


FIG. 4

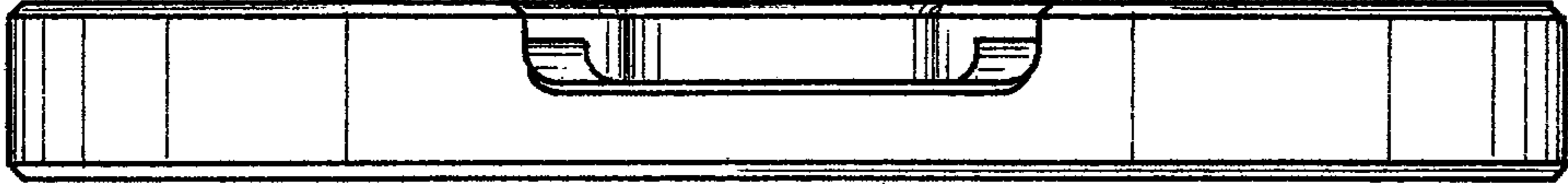


FIG. 5

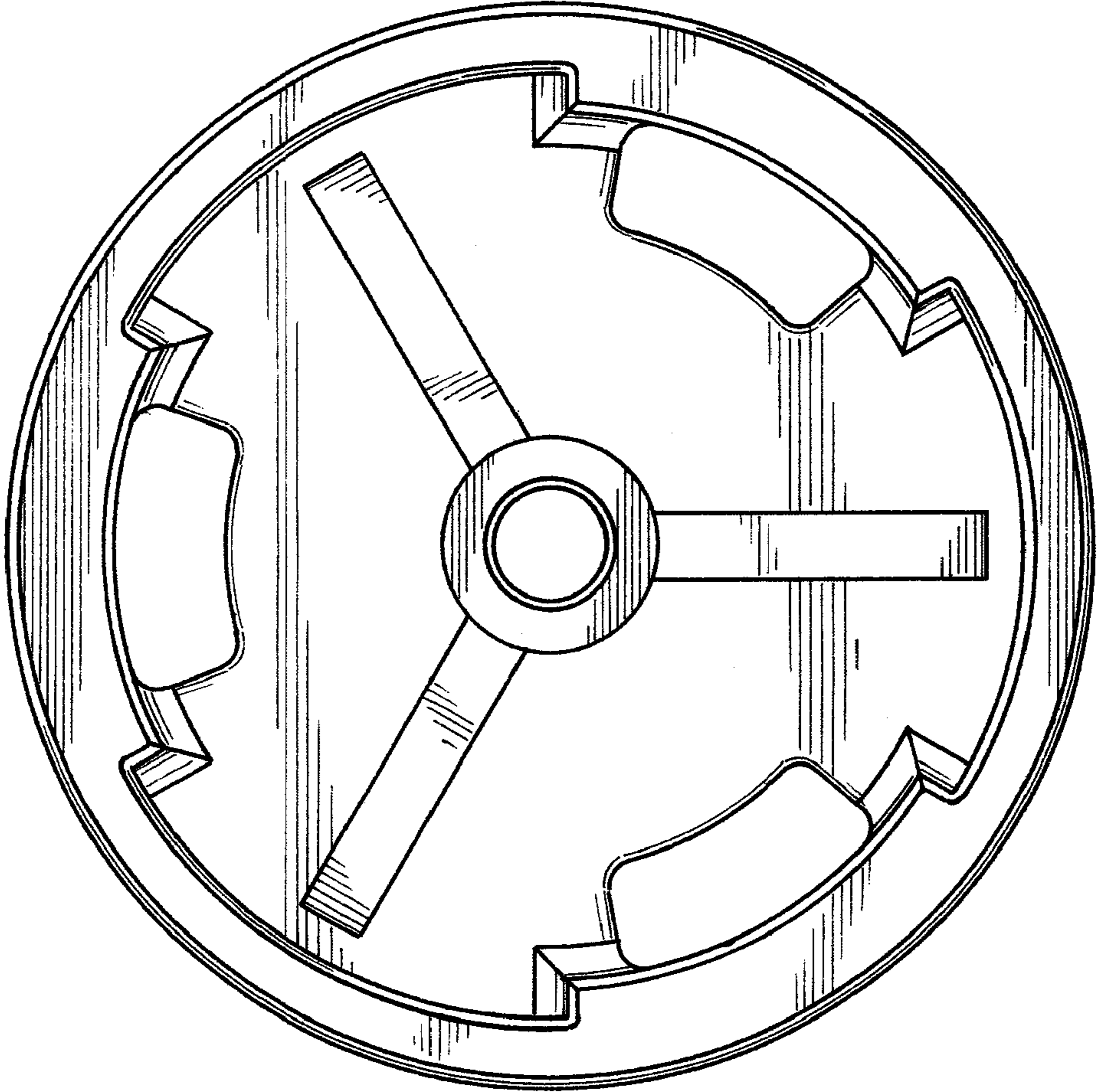


FIG. 6





FIG. 8

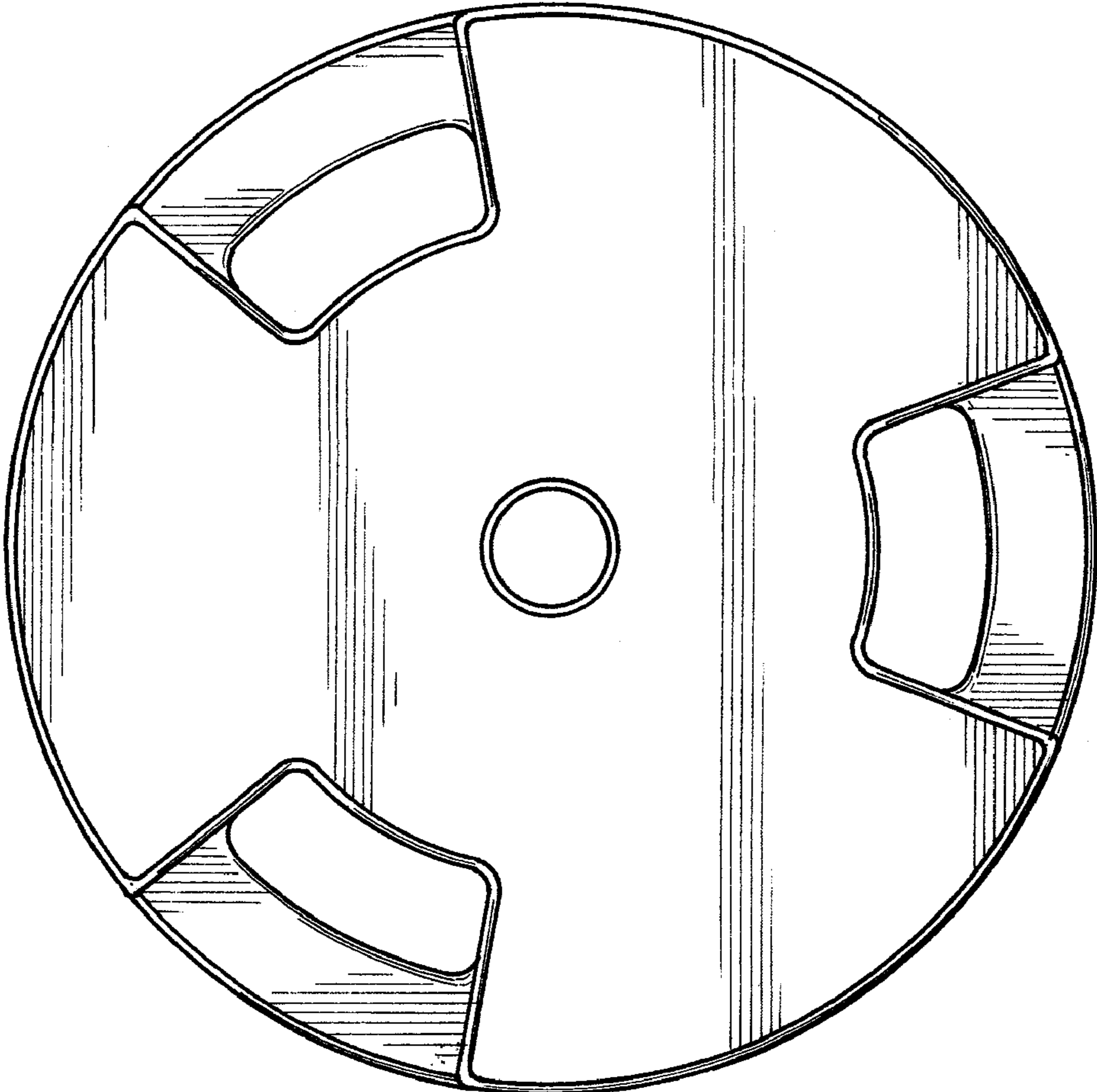


FIG. 7