



US00D606130S

(12) **United States Design Patent**
Wong

(10) **Patent No.:** **US D606,130 S**
(45) **Date of Patent:** **** Dec. 15, 2009**

(54) **SQUIRTING TOY**
(75) Inventor: **Veronica Wong**, Kowloon (HK)
(73) Assignee: **Prime Time Toys, Ltd.**, Kwun Tong (CN)
(**) Term: **14 Years**
(21) Appl. No.: **29/335,770**
(22) Filed: **Apr. 21, 2009**

4,548,190 A 10/1985 Megargee
4,597,527 A 7/1986 Sands
4,615,488 A 10/1986 Sands
4,627,796 A 12/1986 Moore
4,673,007 A 6/1987 Huang
4,733,799 A 3/1988 Wiskur
4,796,785 A 1/1989 Merritt
4,809,483 A 3/1989 Lovik
4,919,600 A 4/1990 Yang
4,963,847 A 10/1990 Cambreleng et al.
D315,095 S 3/1991 Wright
5,009,413 A 4/1991 Allen

(Continued)

(51) **LOC (9) Cl.** **21-01**
(52) **U.S. Cl.** **D21/572**
(58) **Field of Classification Search** D21/572,
D21/769, 801, 803; D1/102; 222/79, 209,
222/210, 215, 386; 239/327, 386; 441/35,
441/55, 56, 65, 66, 74, 129; 472/128, 129
See application file for complete search history.

FOREIGN PATENT DOCUMENTS

GB 2045097 10/1980

OTHER PUBLICATIONS

U.S. Appl. No. 29/302,703, filed Jan. 23, 2008.

(Continued)

(56) **References Cited**
U.S. PATENT DOCUMENTS

213,050 A 3/1879 Lewis
D26,839 S 3/1897 Lines
1,031,526 A 7/1912 Cloud, Jr.
1,394,456 A 10/1921 Wanat
D60,050 S 12/1921 Mohler
D96,614 S * 8/1935 Law D1/102
D110,379 S * 7/1938 Watts D1/102
D110,380 S * 7/1938 Watts D1/102
2,573,375 A 10/1951 Winstead
D198,768 S * 7/1964 Hendrick D1/102
D198,773 S * 7/1964 Hendrick D1/102
D205,572 S * 8/1966 Davies D1/102
3,299,891 A 1/1967 Smeton
D225,755 S 1/1973 Hale
3,848,808 A * 11/1974 Fetty et al. 239/327
3,884,229 A 5/1975 Raines et al.
D240,130 S 6/1976 Folke
D246,066 S * 10/1977 O'Farrell D21/803
4,193,517 A 3/1980 Fetty et al.
4,274,223 A 6/1981 Morrison et al.
D262,079 S 12/1981 Rankin
4,383,387 A 5/1983 Puksar

Primary Examiner—Holly H Baynham
Assistant Examiner—Cynthia M Chin
(74) *Attorney, Agent, or Firm*—Amster, Rothstein & Ebenstein LLP

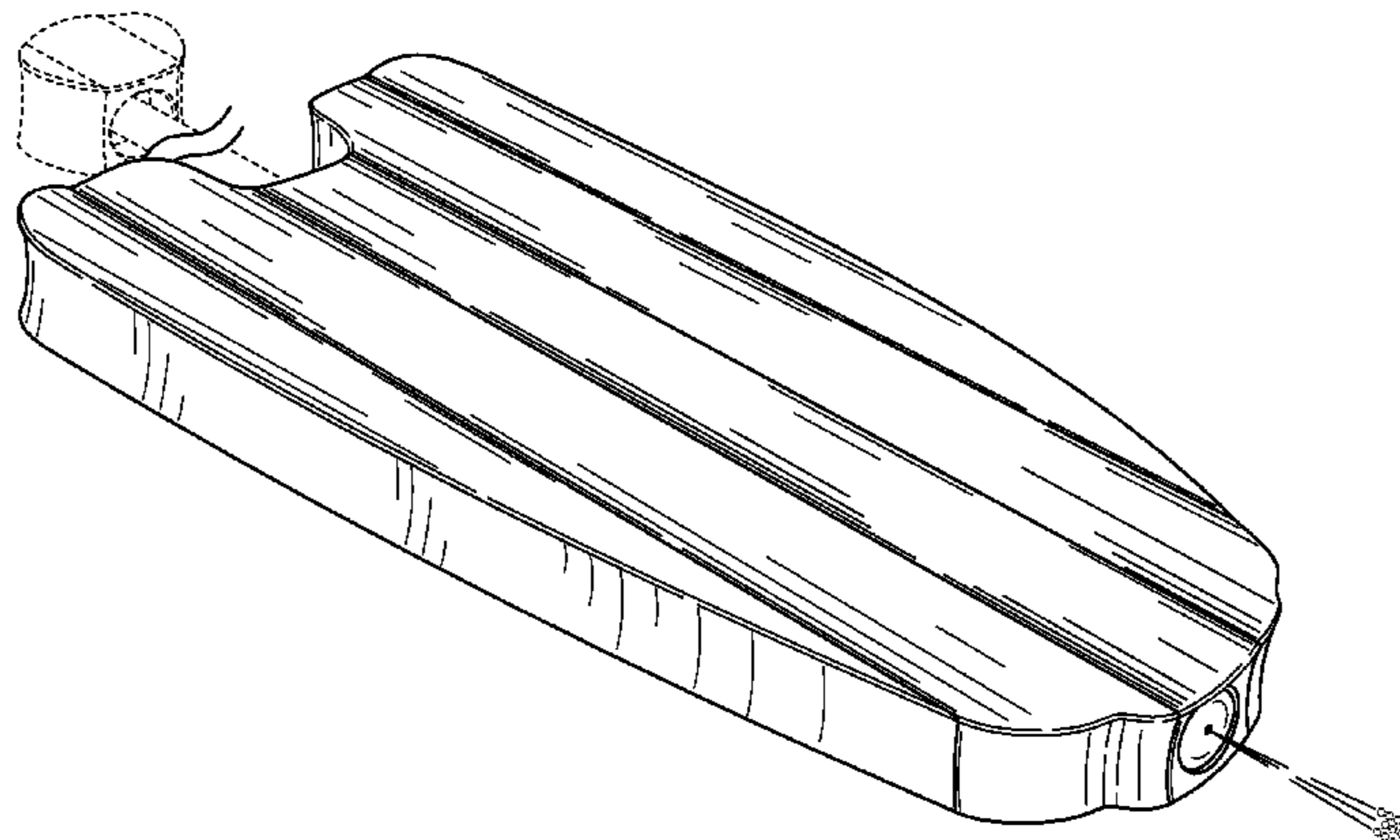
(57) **CLAIM**

The ornamental design for a squirting toy, as shown and described.

DESCRIPTION

FIG. 1 is a perspective view of a squirting toy showing my new design;
FIG. 2 is a front side view thereof;
FIG. 3 is a back side view thereof;
FIG. 4 is a right side view thereof; and,
FIG. 5 is a bottom plan view thereof.
The broken lines represent portions of the design that form no part of the claim.

1 Claim, 4 Drawing Sheets



U.S. PATENT DOCUMENTS

D320,469 S	10/1991	Hoenig		D466,175 S *	11/2002	Katz et al.	D21/803
5,061,252 A	10/1991	Dragosits		6,474,858 B1	11/2002	Liao		
5,120,261 A	6/1992	Dietzman		D470,761 S	2/2003	Kelvie		
D328,248 S	7/1992	Ruff		6,568,985 B1	5/2003	Binkley		
5,181,644 A	1/1993	Ferrell		6,638,172 B1	10/2003	Demars		
5,199,114 A	4/1993	Christopher		D481,770 S	11/2003	Choy		
D336,354 S	6/1993	Ringe		6,722,679 B2	4/2004	Englert		
D336,668 S	6/1993	D'Andrade		D494,856 S	8/2004	Hillard		
D337,354 S	7/1993	Childs		6,790,112 B2	9/2004	Kirk		
5,224,633 A	7/1993	Senart		6,808,436 B1	10/2004	Siu		
D338,697 S	8/1993	Salmon et al.		6,843,695 B1	1/2005	Jackson et al.		
5,231,951 A	8/1993	Tagar et al.		D514,633 S	2/2006	Zheng		
D339,616 S	9/1993	Flaherty		6,997,770 B2	2/2006	Lapointe		
5,255,708 A	10/1993	Liparoto et al.		D517,411 S	3/2006	Okimoto		
5,256,099 A	10/1993	Rudell et al.		7,025,228 B2	4/2006	Cuisinier		
5,266,069 A	11/1993	Thorne		D524,881 S	7/2006	Orlowski et al.		
D344,311 S	2/1994	Liu		D528,914 S	9/2006	Williams		
D344,556 S	2/1994	Liu		D536,040 S	1/2007	Orr et al.		
5,305,918 A	4/1994	D'Andrade		7,264,522 B2	9/2007	Lee et al.		
D351,007 S	9/1994	Bednar et al.		7,281,642 B2	10/2007	Orlowski		
5,350,058 A	9/1994	Keough		D557,356 S	12/2007	Johnston et al.		
D352,093 S	11/1994	Knychka		D557,357 S	12/2007	Johnston et al.		
D354,093 S	1/1995	Hamlin		D558,278 S	12/2007	Johnston et al.		
D354,531 S *	1/1995	Appel et al.	D558,279 S	12/2007	Chen		
5,389,033 A	2/1995	Rauch		D564,854 S	3/2008	Thompson		
D357,886 S	5/1995	Fuller		D570,687 S	6/2008	Kelders et al.		
D358,185 S	5/1995	Hope, II		D574,443 S	8/2008	Wong		
D360,439 S	7/1995	Lewinski		D582,499 S *	12/2008	Hoffman	D21/803
D361,105 S	8/1995	Griffin		D590,027 S	4/2009	Chia		
D362,801 S	10/1995	Milroy		D590,470 S *	4/2009	Mun et al.	D21/769
D368,280 S	3/1996	Brown		2003/0071077 A1	4/2003	Panzarella		
5,499,858 A	3/1996	Her		2003/0124922 A1	7/2003	Sowry et al.		
D376,038 S *	12/1996	Pearce	2003/0156590 A1	8/2003	Ostrowiecki		
5,667,419 A	9/1997	Spector		2005/0106963 A1	5/2005	Ross		
5,683,250 A	11/1997	Paivanas		2005/0184098 A1	8/2005	Dixon		
D390,618 S *	2/1998	Wilson	2005/0196287 A1	9/2005	Olich		
5,788,617 A	8/1998	Paris		2006/0027596 A1	2/2006	Walther et al.		
5,865,438 A	2/1999	Zilliox		2007/0000942 A1	1/2007	Wong et al.		
5,928,053 A	7/1999	Henderson		2008/0035680 A1	2/2008	Orlowski		
5,988,442 A	11/1999	Corey et al.		2008/0051002 A1	2/2008	Chung Wong		
5,992,697 A	11/1999	James		2008/0054019 A1	3/2008	Stechschulte et al.		
6,027,393 A	2/2000	O'Rourke		2008/0121652 A1	5/2008	Orlowski et al.		
6,039,460 A	3/2000	Ng et al.						
D424,932 S	5/2000	Seidler						
D446,122 S	8/2001	Weinstein et al.						
D449,982 S	11/2001	Ferris						
D453,367 S *	2/2002	Katz et al.					
D463,003 S *	9/2002	Alexander					

OTHER PUBLICATIONS

U.S. Appl. No. 29/302,709, filed Jan. 23, 2008.
Prime Time Toys, Ltd, v. Jakks Pacific, Inc., No. 2008-CV-2909,
 documents produced by Defendant Jakks Pacific, Inc., (May 9,
 2007).

* cited by examiner

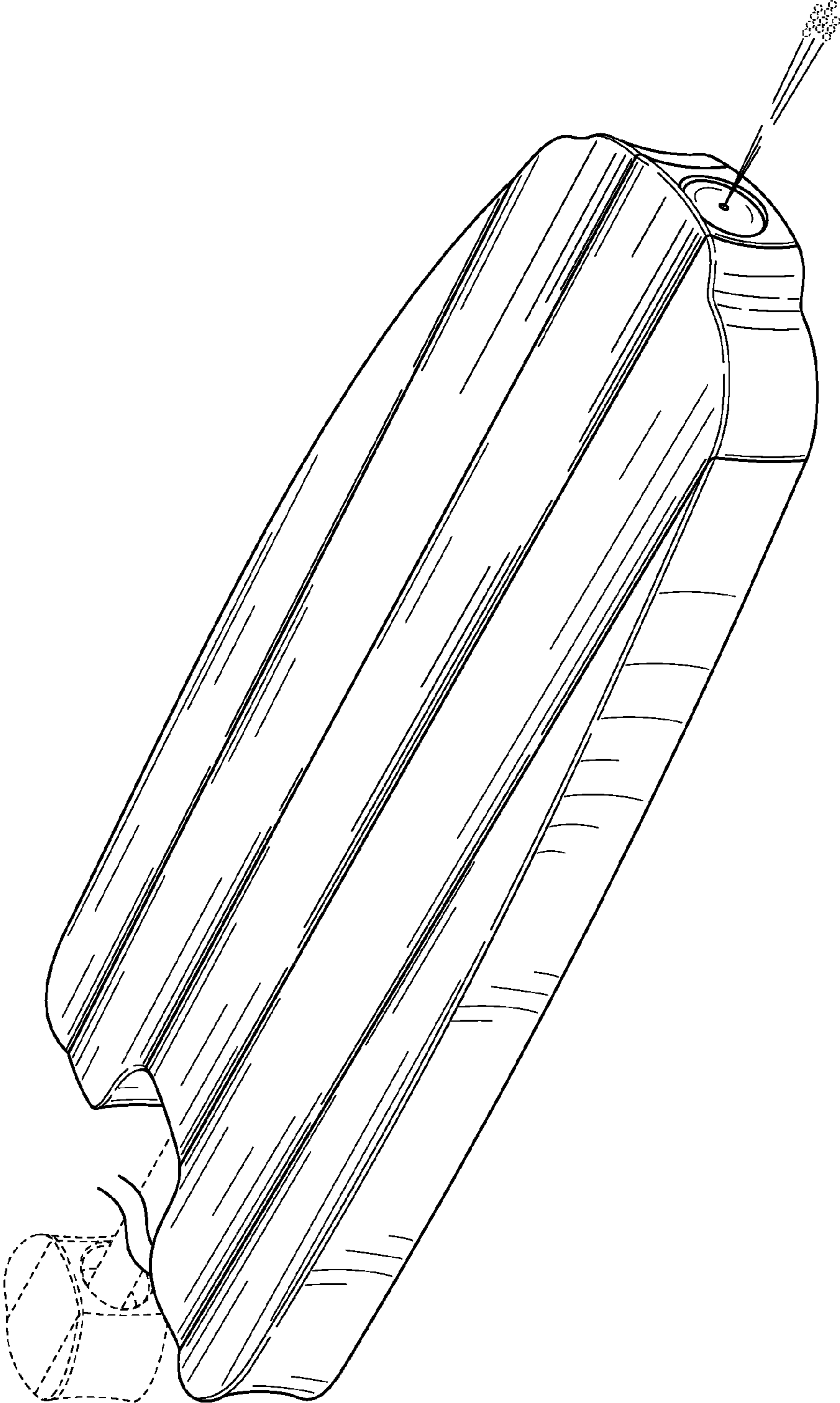


FIG. 1

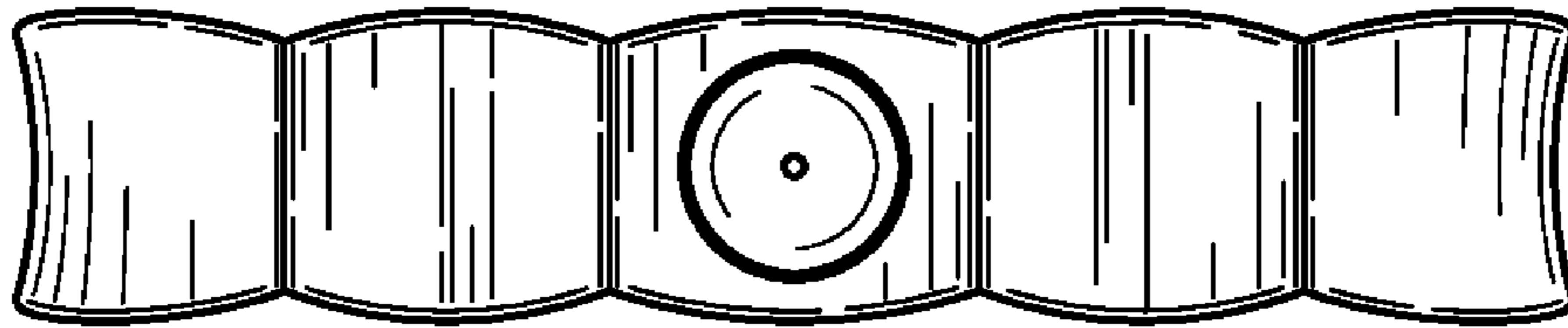


FIG. 2

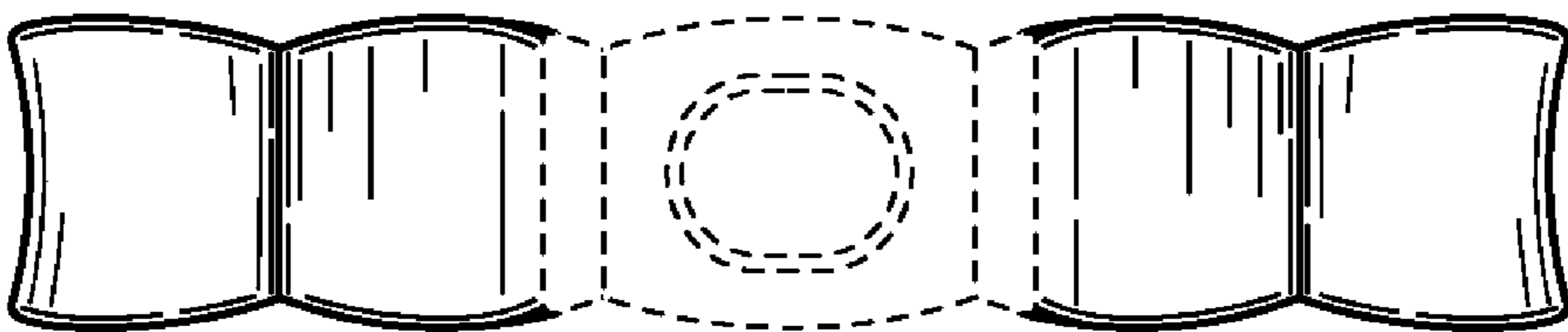


FIG. 3

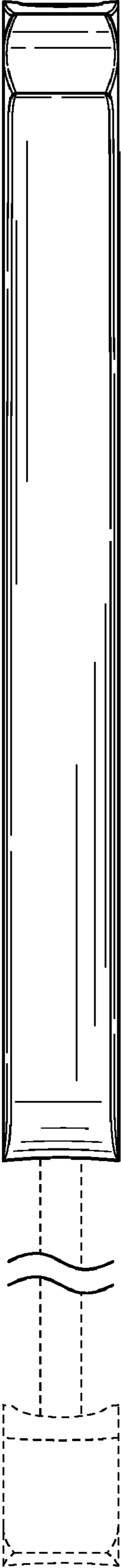


FIG. 4

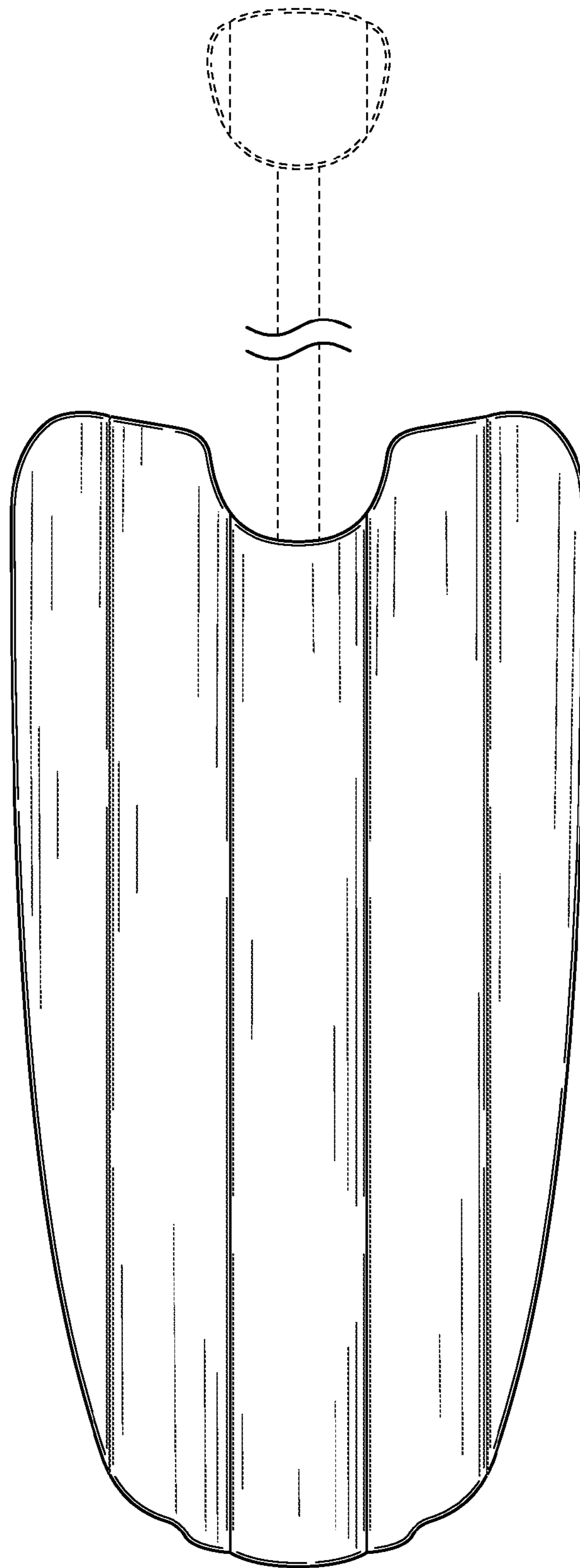


FIG. 5

UNITED STATES PATENT AND TRADEMARK OFFICE
CERTIFICATE OF CORRECTION

PATENT NO. : D606,130 S
APPLICATION NO. : 29/335770
DATED : April 21, 2009
INVENTOR(S) : Veronica Wong

Page 1 of 1

It is certified that error appears in the above-identified patent and that said Letters Patent is hereby corrected as shown below:

On the Title Page, item (73) Assignee: replace "Easeon Services, Ltd., Kwun Tong (HK)" with
--Easebon Services, Ltd., Kwun Tong (HK)--

Signed and Sealed this
Twenty-second Day of March, 2011

A handwritten signature in black ink that reads "David J. Kappos". The signature is written in a cursive, slightly slanted style.

David J. Kappos
Director of the United States Patent and Trademark Office